

Los Angeles County  
Department of Public Works



**HYDROLOGIC REPORT  
1998-1999**

PREPARED BY THE  
HYDRAULIC/WATER CONSERVATION DIVISION

# Table of Contents

<b>TABLE OF CONTENTS .....</b>	<b>( i )</b>
<b>APPENDICES .....</b>	<b>( ii )</b>
<b>ACKNOWLEDGMENTS .....</b>	<b>4</b>
<b>INTRODUCTION .....</b>	<b>5</b>
<b>LOS ANGELES COUNTY .....</b>	<b>6</b>
<b>FLOOD CONTROL AND WATER CONSERVATION .....</b>	<b>8</b>
<b>PRECIPITATION .....</b>	<b>9</b>
RAINFALL INDICES .....	10
ACTIVE RAIN GAGE STATIONS DURING WATER YEAR 1998-1999.....	11
DAILY RAINFALL SUMMARY .....	18
LOCATION MAP .....	19
<b>EVAPORATION .....</b>	<b>20</b>
ACTIVE STATIONS .....	21
MONTHLY SUMMARY .....	22
LOCATION MAP .....	23
<b>RUNOFF .....</b>	<b>24</b>
INDEX OF STREAM FLOW MEASURING STATIONS .....	25
STREAM GAGING STATION INFORMATION .....	26
DAILY DISCHARGE .....	26
STREAM GAGING STATION PEAK FLOW .....	26
LOCATION MAP .....	27
<b>RESERVOIRS .....</b>	<b>28</b>
YEARLY RESERVOIR OPERATION SUMMARY .....	29
FACILITIES .....	30
LOCATION MAP .....	31
<b>EROSION CONTROL .....</b>	<b>32</b>
LOCATION MAP .....	33
DEBRIS BASIN - DESIGN DATA: .....	34
<b>WATER CONSERVATION .....</b>	<b>39</b>
CONSERVING THE WATERS .....	39
IMPORTED WATER .....	39
RECYCLED WATER .....	40
SEAWATER BARRIER PROJECTS .....	40
SEASONAL DATA AND MAPS .....	40
GROUNDWATER BASINS AND GROUNDWATER RECHARGE .....	41
S U M M A R Y .....	45
<i>SPREADING FACILITIES OWNED AND OPERATED BY THE DEPARTMENT</i> .....	45
<i>NONDPWFACILITIES</i> .....	45
<i>TOTAL MONTHLY WATER CONSERVED</i> .....	45
<i>IMPORTED WATER OUTLET RELEASES</i> .....	45
<i>RECLAIMED WATER</i> .....	45
<i>GROUND WATER FLUCTUATION</i> .....	45
<i>KEYWELL LOCATION MAP</i> .....	46

# Appendices

<b>DAILY RAINFALL SUMMARY .....</b>	<b>A</b>
<b>STREAM GAGING STATION INFORMATION .....</b>	<b>B</b>
<b>DAILY DISCHARGE .....</b>	<b>C</b>
<b>STREAM GAGING STATION PEAK FLOW .....</b>	<b>D</b>
<b>YEARLY RESERVOIR OPERATION SUMMARY .....</b>	<b>E</b>
<b>EROSION CONTROL - LOCATION MAP .....</b>	<b>F</b>
<b>SUMMARY OF WATER CONSERVATION</b>	
SPREADING FACILITIES OWNED AND OPERATED BY DEPARTMENT .....	G
NON DPW FACILITIES .....	H
TOTAL MONTHLY WATER CONSERVED .....	I
IMPORTED WATER OUTLET RELEASES .....	J
RECLAIMED WATER .....	K
GROUND WATER FLUCTUATION .....	L
<i>COASTAL PLAIN, CITY OF LONG BEACH</i> .....	<i>L - 1</i>
<i>COASTAL PLAIN</i> .....	<i>L - 2</i>
<i>COASTAL PLAIN, CITY OF LONG BEACH</i> .....	<i>L - 3</i>
<i>CENTRAL BASIN</i> .....	<i>L - 4</i>
<i>MAIN SAN GABRIEL BASIN</i> .....	<i>L - 5</i>
<i>MAIN SAN GABRIEL BASIN, BALDWIN PARK</i> .....	<i>L - 6</i>
<i>POMONA BASIN</i> .....	<i>L - 7</i>
<i>SAN FERNANDO VALLEY, CANOGA PARK</i> .....	<i>L - 8</i>
<i>SAN FERNANDO VALLEY, BURBANK</i> .....	<i>L - 9</i>
<i>RAYMOND BASIN</i> .....	<i>L - 10</i>
<i>SAN GABRIEL CANYON BASIN, NORTH OF AZUSA</i> .....	<i>L - 11</i>
<i>UPPER CLAREMONT HEIGHTS</i> .....	<i>L - 12</i>
<i>SAN CLARITA VALLEY, NEAR CASTAIC JUNCTION</i> .....	<i>L - 13</i>
<i>LITTLE ROCK, SOUTH OF PALMDALE</i> .....	<i>L - 14</i>
<i>ANTELOPE VALLEY, SOUTH OF LANCASTER</i> .....	<i>L - 15</i>

## Acknowledgments

This report was prepared by the Water Resources Division under the direction of Thomas V. Schriber, Assistant Deputy Director. The following people contributed the data gathered for this report.

**Data Collection and Processing:**

**OPERATIONS STAFF:**

Irene Wong.

D. Carpenter: *Supervising*

Soo Khoo

Armando Rodriguez

Kevin Smith

Don Wilson

Marshall Bonaparte

Ernesto Esguerra

Alex Rivera

**Coordination:**

John Burton

Mooler Ang

**Graphic Design, Layout, Art Production:**

Mooler Ang - Design Layout, Webmaster

Rodney Brown - Map Specialist

**HYDROLOGIC SYSTEMS SUPPORT STAFF:**

Nellie Gonda, Rodney Brown, Joe Doughly, Fred Lai,

Marine' Gaplandzhyan

*Special salute to Stan Morrison for his services to the Department.*

## DISCLAIMER

***The information contained in this report was valid at the time of publication. The Department of Public Works reserves the right to make changes at any time and without notice, and assumes no liability for any damages incurred directly or indirectly as a result of changes errors, omissions or discrepancies.***

*(C) Copyright, 1997 Science Applications Internation Corporation (SAIC).*

All material (maps, files, data, code and design specifications) used in the traffic server are the intellectual property of the authors and SAIC and are licensed to the County of Los Angeles for the exclusive use of the County. Some maps and map data are the copyrighted property of Thomas Brothers Maps, Inc. and are used with permission under their licensing agreement with the County of Los Angeles.

## Introduction

This report discusses hydrologic data relative to Los Angeles County for the period beginning October 1, 1998 and ending September 30, 1999. The Department has revised the format of this report to provide users with more useful data and a more efficient means of utilizing that data. The report consists of six sections.

### **PRECIPITATION**

Lists 273 active rainfall stations for which unpublished rainfall data are on file at the Department.

### **EVAPORATION**

Lists 13 evaporation station locations and data for this reporting period. Unpublished evaporation data from previous years are in file at the Department.

### **RUNOFF**

Lists 65 active streamflow stations. The mean of the daily flow rates during the reporting period, the reporting period's peak flowrate and historical peak flow rate for each of these stations are contained in this section. Unpublished stream flow data are on file at the Department.

### **RESERVOIRS**

Lists 15 dams and reservoirs for which inflow, outflow and storage data are on file at the Department.

### **EROSION CONTROL**

115 debris basins. Data on the debris production amounts for the reporting period are contained in this section. Unpublished debris production and inflow data are on file at the Department.

### **WATER CONSERVATION**

Lists 32 groundwater recharge locations. Data on the water conserved at various facilities and water injected at seawater barrier projects during the reporting period, and historical well level data for key wells are contained in this section. Unpublished water conservation data from previous years are on file at the Department.

Unpublished information may be obtained by contacting:

**Los Angeles County Department of Public Works  
Water Resources Division  
P.O. Box 1460  
Alhambra, CA 91802-1460**

**...or telephone: (626) 458-6120**

## Los Angeles County

### **TOPOGRAPHY:**

The County of Los Angeles covers an area of 4,083 square miles and measures approximately 66 miles in the east - west and 73 miles in the north - south directions.

The terrain within the County can be classified in broad terms as being 25 percent mountainous; 14 percent coastal plain; and 61 percent hills, valleys, or deserts. Relief of the terrain ranges from sea level to a maximum elevation of 10,000 feet. The coastal plain is generally of mild slope and contains relatively few depressions or natural ponding areas. The slopes of main river systems crossing the coastal plain, such as the San Gabriel River, Los Angeles River, and Ballona Creek, range from 4 to 14 feet per mile.

Topography in the mountainous area is generally rugged with deep, V-shaped canyons separated by sharp dividing ridges. Steep walled canyons with side slopes of 70 percent or more are common. The gradient of principal canyons in the San Gabriel Mountains ranges from 150 to 850 feet per mile. Mountain ranges are aligned in a general east-west direction with the dominant range being the San Gabriel Mountains. The majority of mountain ridges lie below Elevation 5,000 feet. The total area above this level is approximately 210 square miles.

### **GEOLOGY - SOILS:**

Igneous, metamorphic, and sedimentary rock groups are all present within the County. The San Gabriel Mountains and Verdugo Hills are composed primarily of highly fractured igneous rock, with large areas of granitic rock formation being exposed. Faulting and deep weathering have produced porous zones in the rock formation; however, rock masses have produced a comparatively shallow soil mantle due to the steepness of slopes which accelerates erosion of the fine material.

Other mountains and hilly reaches are composed primarily of folded and faulted sedimentary rocks, including shale, sandstone, and conglomerate. Residual soils in these areas are shallow and generally less pervious than those of the San Gabriel Mountain range.

Valley and desert soils are alluvial and vary from coarse sand and gravel near canyon mouths to silty clay, clay and sand and gravel in lower valleys and the coastal plain. The alluvial fill has accumulated by repeated deposition of sediments to depths as great as several thousand feet. This fill is quite porous in areas of relatively low clay content. Geologic structures and irregularities in the underlying bedrock divide the alluvium into several groundwater basins. Valley soils are generally well drained but there are a few areas containing perched water.

### **LAND USE:**

The principal vegetative cover of upper mountain areas consists of various species of brush and shrubs known as chaparral. Most trees found on mountain slopes are oak, with alder, willow, and sycamore found along streambeds at lower elevations. Pine, cedar, and juniper are found in ravines at higher elevations and along high mountain summits. The chaparral is extremely flammable, and extensive burns of the mountain vegetation frequently occur during dry, low-humidity weather accompanied by high winds. Chaparral has the ability to sprout following fire and grows rapidly to re-establish the watershed cover within a period of 5 to 10 years.

Grasses are the principal natural vegetation on the hills. Much of the hill land and nearly all of the valley land in the densely populated portion of the County south of the San Gabriel Mountains has been converted to urban and suburban use. Development of the Santa Clarita Valley and desert areas to the north of the San Gabriel Mountains is sparse at present but is proceeding rapidly.

### **CLIMATE:**

The climate within the County varies between subtropical on the Pacific Ocean side of the San Gabriel Mountain range to arid in the Mojave Desert. Nearly all precipitation occurs during the months of December through March. Precipitation during summer months is infrequent, and rainless periods of several months are common. Snowfall at elevations above 5,000 feet is frequently experienced during the winter storms, but the snow melts rapidly except on higher peaks and the northern slopes. Snow is rarely experienced on the coastal plain.

January and July are the coldest and warmest months of the year, respectively. At the Los Angeles civic center, the 30-year average daily minimum temperature for January is 48 degrees (Fahrenheit) above zero. The average daily maximum temperature for July is 84 degrees. At Mount Wilson (Elevation 5,850 feet), the 30-year average daily minimum temperature for January is 35 degrees above zero and the average daily maximum temperature for July is 80 degrees.

**HYDROMETEOROLOGIC CHARACTERISTICS:****Coastal and Mountain Areas**

Precipitation (rainfall) in the Los Angeles area occurs primarily in the form of winter orographic rainfall associated with extra tropical cyclones of North Pacific origin. Major storms consist of one or more frontal systems and occasionally last four days or longer. Air masses and frontal systems associated with major storms commonly extend for 500 to 1,000 miles in length and produce rainfall simultaneously throughout the County. Major storms approach Southern California from the west or northwest with southerly winds which continue until frontal passage. The mountain ranges lie directly across the path of the inflow of warm, moist air, and orographic effects greatly intensify precipitation.

The seasonal normal rainfall in Los Angeles County ranges from 27.50 inches in the San Gabriel Mountains to 7.83 inches in the desert. The annual County average for the annual rainfall for Los Angeles County is 15.65 inches. The effects of snowmelt upon flood runoff is of significance in the few cases when warm spring rains from southerly storms fall on a snowpack. During major storms, temperatures throughout the County may remain above freezing. Average individual storm rainfall amounts and intensities conform to a fairly definite aerial pattern which reflects general effects of topographic differences.

**Desert Areas**

Summer convective rainfall is principally experienced in the upper San Gabriel Mountains and the Mojave Desert regions. In many desert areas, the most serious flooding occurs as a result of summer convective storms.

**RUNOFF CHARACTERISTICS:****Mountain Areas**

In mountain areas, the steep canyon slopes and channel gradients promote a rapid concentration of storm runoff. Depression storage and detention storage effects are minor in the rugged terrain. Soil moisture during a storm has a pronounced effect on runoff from the porous soils supporting a good growth of deep-rooted vegetation such as chaparral. Soil moisture deficiency is greatest at the beginning of a rainy season, having been depleted by the evapotranspiration process during the dry summer months. Precipitation during periods of soil moisture deficiency is nearly entirely absorbed by soils, and except for periods of extremely intense rainfall, significant runoff does not occur until soils are wetted to capacity. Due to high infiltration rates and porosity of mountain soils, runoff occurs primarily as subsurface flow or interflow in addition to direct runoff. Spring or base flow is essentially limited to portions of the San Gabriel Mountain range. Consequently, most streams in the County are intermittent. Runoff from a mountain watershed recently denuded by fire exceeds that for the unburned state due to greatly increased quantities of inorganic debris present in the flow and increased direct runoff resulting from lowered infiltration rates. Debris production from a major storm has amounted to as much as 223,000 cubic yards per square mile of watershed. Boulders up to eight feet in diameter have been deposited in valley areas a considerable distance from their source.

Debris quantities equal in volume to storm runoff, representing a 100 percent bulking of runoff from a major storm, have been recorded. Where debris-laden flow traverses an alluvial fill unconfined by flood control works, flood discharges follow an unpredictable path across the debris cone formed at the canyon mouth.

**Hill and Valley Areas**

In hill areas, runoff concentrates rapidly from the generally steep slopes; however, runoff rates from undeveloped hill areas are normally smaller than those from mountain areas of the same size. In those hill areas which have been developed for residential use, concentration times become considerably decreased due to drainage improvement, and runoff volumes and rates have increased due to increased imperviousness. On the other hand, erosion is controlled and debris is minimized from storm flows. Debris production rates from undeveloped hill areas are normally smaller than those from mountain areas of the same size.

In highly developed valley areas, local runoff volumes have increased as the soil surface has become covered by impervious materials. Peak runoff rates for valley areas have also increased due to elimination of natural ponding areas and improved hydraulic efficiency of water carriers such as streets and storm drain systems.

## Flood Control & Water Conservation

### **FLOODS . . . AN OLD STORY:**

Floods in Los Angeles County have been recorded as far back as the days of the Mission Padres. For centuries waters have swept out of the San Gabriel Mountains causing extensive property damage and taking a great toll of lives.

Such a flood occurred in 1914 causing over \$10 million in property damage and taking many lives. As a result, the State legislature in 1915 enacted the statute creating the Los Angeles County Flood Control District. The responsibilities and authority vested in the Flood Control District were, in 1985, transferred to and are now part of the Los Angeles County Department of Public Works.

The Department, under the Flood Control Act, has two tasks. . . control the floods and conserve the water.

### **CONTROLLING THE WATERS:**

Successful early bond issues financed construction of the 15 dams which the Department built in the San Gabriel Mountains and foothills to impound storm waters until they could be safely released. Debris basins were constructed to trap eroded materials which had caused terrible damage in the past. Flood channel improvements were undertaken to confine the waters and convey them safely through the urbanized areas to the ocean.

District engineers prepared a Comprehensive Plan in the early 1930's which would control flooding and save as much of the water as practicable when fully implemented.

Federal legislation in 1936 brought the United States Army Corps of Engineers into the local flood control picture. Since that time, the two agencies have been jointly pursuing implementation of the Comprehensive Plan. The Department also cooperates with the United States Natural Resources Conservation Service and Forest Service in erosion control.

### **CONSERVING THE WATERS:**

In addition to its flood control program, the Department has the equally important mission of conserving as much of the storm and other waste waters as practicable. The use of water conservation facilities in or adjacent to river channels and their tributaries permits water to be percolated into groundwater aquifers or basins for later pumping and supply to consumers. These water conservation facilities are located in areas where the underlying soils are composed of porous sands and gravel formations. Some are shallow and resemble rice paddies, while others are deep basins which were once gravel pits.

The importance of this activity is apparent when it is realized that about 30 to 40 percent of the water used in the County is pumped from groundwater supplies. The growth of the County, combined with periodic droughts, seriously depleted these supplies on numerous occasions throughout the history of the County.

Other major conservation efforts by the Department include combating the serious salt water intrusion into groundwater supplies inland from the Pacific Ocean and utilizing imported and reclaimed water to help replenish groundwater supplies.

### **ORGANIZED TO DO THE JOB:**

Day-to-day administration of Department affairs is vested in the Director of Public Works who is appointed by and responsible to the Los Angeles County Board of Supervisors. A part of the Department's activities involve the planning, design and construction of flood control and water conservation facilities, and the operation and maintenance of dams, debris basins, spreading grounds, channels, and storm drains.



## P R E C I P I T A T I O N

### PRECIPITATION

The Department operates and maintains a network of rain gage stations to collect rainfall (precipitation) data for the purposes of in-house engineering and design of flood control and water conservation facilities.

#### RAINFALL AMOUNTS:

Although the Department operates and maintains 273 raingage stations, including those which record amounts for durations ranging from 5 minutes to 24 hours, only [daily](#) and [annual](#) amounts for the report period are listed herein. Additional data (e.g., intensities) can be obtained by contacting the [custodian](#) of hydrologic records.

#### ALERT SYSTEM

##### *Automated Local Evaluation in Real Time*

The Department of Public Works operates and maintains a state-of-the-art ALERT computer system to monitor meteorological conditions in the County and Southern California in real time, i.e., as they occur. The system includes a network of field sensors that monitor and receive precipitation amounts including rainfall data from the Corps of Engineers' Los Angeles Telemetry System. During the 1996-97 Water Year the Department converted all of its automatic recording raingage stations from weighing bucket mechanisms to ALERT stations with tipping bucket mechanisms.

#### COOPERATION:

The cooperation of observers in furnishing rainfall data to the Department as a public service is appreciated. The effort of the many agencies and individuals who have so freely cooperated with us in the collection of this data have resulted in the large number of complete records for the period covered by this report.

Data from 22 stations of the Department's records are reported and published by the National Oceanic and Atmospheric Administration (NOAA).

#### CUSTODIAN:

Unpublished information may be obtained by contacting:

Los Angeles County Department of Public Works  
Water Resources Division  
P.O. Box 1460  
Alhambra, CA 91802-1460  
...or telephone: (626) 458-6120

**P R E C I P I T A T I O N**

**RAINFALL INDICES**

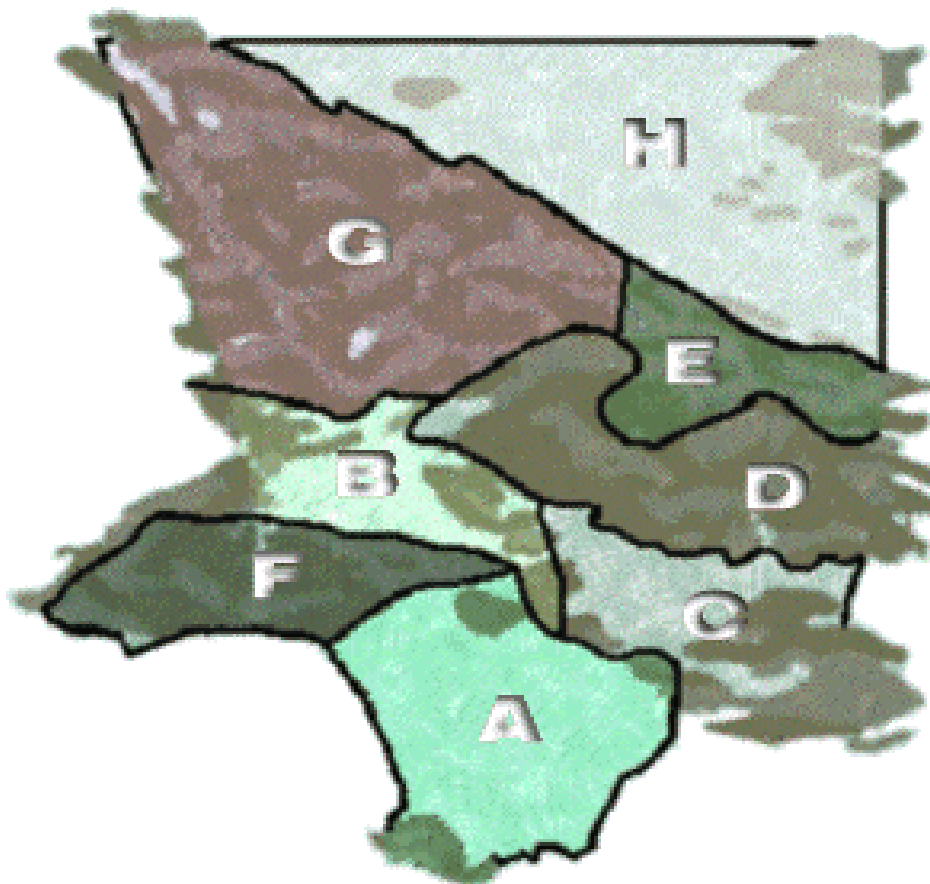
USING SELECTED STATIONS

FOR THE PERIOD OCTOBER 1, 1998 THROUGH SEPTEMBER 30, 1999 \*\*

Area	Percent of Area	Seasonal Normal (inches)	Total Percipitation	Percent of Seasonnal Normal
A. COASTAL PLAIN	14.1%	13.71	7.86	57%
B. SAN FERNANDO VALLEY	7.9%	17.62	10.74	61%
C. SAN GABRIEL VALLEY	7.5%	17.64	8.61	49%
D. SAN GABRIEL MTS.	13.4%	27.5	13.08	48%
E. LITTLE ROCK, BIG ROCK	4.5%	18.61	8.53	46%
F. SANTA MONICA MTS.	5.7%	19.96	10.04	50%
G. SANTA CLARA	18.9%	16.64	10.53	63%
H. DESERT	28.0%	7.83	3.78	48%
County *	100.0%	15.65	8.36	53%
LOS ANGELES (STATION #716)		15.51	9.32	60%
COGSWELL DAM (STATION #334B)		32.88	15.94	48%

\* - Seasonal Normal and Total Precipitation to Date sections of this line are derived from Area Weighted Average.

\*\* - Data Revised March 2011



# PRECIPITATION

## Active Rain Gage Stations During Water Year 1998 - 1999

Station No.	Station Name	Gage Type	Thomas Guide Page	North Latitude	West Longitude	Gage Elev. (ft)	Season Total (in)	Notes
5B	Calabasas	S	100 F3	34-09-24	118-38-14	924	9.86	
6	Topanga Patrol Station	DA	590 A7	34-05-03	118-35-57	745	13.76	
9B	Sepulveda and Rayen	S	531 H1	34-13-52	118-28-04	828	2.23	I
10A	Bel Air Hotel	DA	592 B7	34-05-11	118-26-45	540	10.56	
11D	Upper Franklin Canyon Reservoir	SP	592 F2	34-07-10	118-24-35	867	11.45	
13C	North Hollywood-Lakeside	S	563 B5	34-08-46	118-21-13	550	10.81	
14C	Roscoe-Merrill	S	503 B6	34-14-19	118-21-32	1050	9.49	I
17	Sepulveda Canyon At Mulholland	DA	561 E7	34-07-51	118-29-26	1425	12.14	
20B	Girard Reservoir	S	559 J4	34-09-07	118-36-36	986	11.68	E
21B	Woodland Hills	S	560 A2	34-10-14	118-35-33	875	8.62	
23B	Chatsworth Reservoir	SP	529 G1	34-13-44	118-37-18	900	10.29	
25C	Northridge-L.A.D.W.P.	SP	530 H1	34-13-52	118-32-28	810	7.98	
32C	Newhall - Fire Station 73	AP S	4550 J7	34-23-07	118-31-54	1243	10.27	
33A	Pacoima Dam	SA	4642 F7	34-19-48	118-23-59	1500	10.99	
42C	Redondo Beach-City Hall	S	762 G5	33-50-43	118-23-20	70	8.11	E
43D	Palos Verdes Estates	S	792 H4	33-47-58	118-23-29	216	8.04	
44A	Point Vicente Lighthouse	DA	822 F5	33-44-30	118-24-38	125	6.97	
46D	Big Tujunga Dam	SA	4725 C6	34-17-40	118-11-14	2315	14.65	E
47D	Clear Creek-City School	DA	505 F1	34-16-38	118-10-12	3150	15.48	
54C	Loomis Ranch-Alder Creek	DA	4557 A4	34-20-55	118-02-54	4325	11.89	
57B	Camp Hi Hill (Opids)	DA	506 E3	34-15-18	118-05-41	4250	0.04	I
63C	Santa Anita Dam	S DA	537 E2	34-11-03	118-01-12	1400	14.50	
67G	Monrovia-Mountain Avenue	S	567 J4	34-08-46	117-59-05	602	10.37	
68C	Sawpit Dam	SA	537 J7	34-10-30	117-59-07	1375	14.10	
82F	Table Mountain	S	4561 G6	34-22-56	117-40-39	7420	8.14	E
83B	Big Pines Recreation Park	DA	4561 F6	34-22-44	117-41-20	6860	7.96	
89B	San Dimas Dam	SA	570 F2	34-09-10	117-46-17	1350	11.21	
93C	Claremont-Police Station	8.81	601 C3	34-05-45	117-43-18	1170	7.77	
95	San Dimas-Fire Warden	S	600 B3	34-06-26	117-48-19	955	8.62	E
96C	Puddingstone Dam	S DA	600 B4	34-05-31	117-48-24	1030	7.98	
102D	Walnut-N.I. Industries	S	679 E3	34-00-11	117-52-10	500	7.65	
106F	Whittier City Yard	S	677 B5	33-58-57	118-02-50	300	5.64	E
107D	Downey-Fire Department	S	705 J7	33-55-48	118-08-47	110	7.29	
108D	El Monte Fire Station	S	597 C7	34-04-30	118-02-30	275	8.27	

## LEGEND

8.81	8.81 inch diameter no-recording gage owned by the Public Works
AP	Automatic recording gage owned by outside interest
DA	Daily Automatic
S	Standard 8 inch diameter non-recording gage owned by the Public Works
SA	Automatic recording gage owned by the Public Works
SP	Standard 8 inch diameter non-recording gage owned by outside interest

## NOTES:

E	Estimate
A	Accumulated Total
I	Incomplete
TI	Temporary Inactive
NA	Not Available

# PRECIPITATION

## Active Rain Gage Stations During Water Year 1998 - 1999

Station No.	Station Name	Gage Type	Thomas Guide Page	North Latitude	West Longitude	Gage Elev. (ft)	Season Total (in)	Notes
109D	West Arcadia	S	566 G7	34-07-42	118-04-22	547	8.81	
110B	Alhambra	S	569 A4	34-05-40	118-07-41	533	9.79	
120	Vincent Patrol Station	S	4375 H6	34-29-17	118-08-27	3135	4.90	
125B	San Francisquito Canyon Ph#1 - Saugus	SP	X	34-35-25	118-27-15	2105	11.02	
134C	Puddingstone Diversion	8.81	570 F5	34-07-52	117-46-55	1160	9.57	
144	Sierra Madre Dam	S	537 B4	34-10-34	118-02-32	1100	12.88	
156B	La Mirada-Standard Oil Company	DA	737 F5	33-52-59	118-01-00	75	8.73	
167C	Arcadia Pumping Plant #1	S	567 D2	34-09-31	118-02-02	611	10.60	E
169	Sierra Madre Pumping Plant	SP	567 B2	34-09-47	118-02-21	700	11.87	
170F	Potrero Heights	S	636 H5	34-02-32	118-04-44	285	8.13	
172B	Duarte	S	568 C4	34-08-26	117-58-02	548	9.62	
174B	Glendora	S	570 A6	34-07-43	117-49-08	930	9.32	
175B	La Canada Irrigation District	S	535 A1	34-13-39	118-12-40	2020	13.02	
176	Altadena-Rubio Canyon	SP	536 A1	34-10-55	118-08-15	1125	12.34	
196C	La Verne-Fire Station	S	600 G2	34-06-06	117-46-20	1050	6.68	
201D	Hacienda Heights	DA A	677 J4	33-59-40	117-59-28	875		NA
210C	Brand Park	DA	534 C6	34-11-18	118-16-20	1250	8.90	
216C	Glendale - Jackson	S	564 F5	34-09-54	118-15-01	615	10.55	
223C	Big Dalton Dam	SA	570 B1	34-10-06	117-48-36	1587	15.34	
225	Montana Ranch-Lakewood	S	766 C4	33-50-35	118-07-09	47	9.98	
227D	San Gabriel-Bruington-Orton	S	596 D2	34-06-18	118-06-32	472	9.74	
228C	Beverly Hills City Hall	S	632 G1	34-06-00	118-23-40	245	10.33	
237C	Stone Canyon Reservoir	SP	591 J3	34-06-21	118-27-13	865	11.21	
238	Hollywood Dam	SP	593 F2	34-07-04	118-19-55	750	10.31	
250D	Acton Camp	DA	4465 A5	34-27-02	118-11-55	2625	5.40	E
251C	La Crescenta	S	534 F1	34-13-20	118-14-40	1440	12.96	A
252C	Castaic Lake	SP AP	4369	34-29-53	118-36-53	1150	10.36	E
255F	Mount San Antonio College-Spadra	S	639 J4	34-02-41	117-50-19	720	5.44	
261F	Acton-Escondido Canyon	DA	4374 B6	34-29-42	118-16-22	2960	5.90	
269D	Diamond Bar Fire Station	SP	680 B2	33-59-50	117-48-55	870	7.15	
277	Sawmill Mountain	S	X	34-43-15	118-35-00	3700	13.15	
280C	Flintridge-Sacred Heart	DA	535 E7	34-10-54	118-11-08	1600	11.92	
283C	Crystal Lake-East Pine Flat	DA	4651 G1	34-19-02	117-50-28	5370	12.01	E
287B	Glendora-City Hall	8.81	569 E5	34-08-09	117-51-52	785	10.58	

## LEGEND

8.81	8.81 inch diameter no-recording gage owned by the Public Works
AP	Automatic recording gage owned by outside interest
DA	Daily Automatic
S	Standard 8 inch diameter non-recording gage owned by the Public Works
SA	Automatic recording gage owned by the Public Works
SP	Standard 8 inch diameter non-recording gage owned by outside interest

## NOTES:

E	Estimate
A	Accumulated Total
I	Incomplete
TI	Temporary Inactive
NA	Not Available

# PRECIPITATION

## Active Rain Gage Stations During Water Year 1998 - 1999

Station No.	Station Name	Gage Type	Thomas Guide Page	North Latitude	West Longitude	Gage Elev. (ft)	Season Total (in)	Notes
291	Los Angeles-96th and Central	DA	704 E5	33-56-56	118-15-17	121	8.51	
292D	Encino Reservoir	S	561 B4	34-08-56	118-30-57	1075	10.00	
293B	Los Angeles Reservoir	SP	481 E5	34-17-18	118-28-54	1150	11.62	
294B	Sierra Madre-Mira Monte Pumping Plant	SP	567 A1	34-10-11	118-02-51	985	13.07	
298C	Gorman - Sheriff	DA	X	34-47-47	118-51-27	3835	11.44	
299F	Little Rock - Schwab	S	4287 H7	34-32-12	117-58-43	2800	2.58	
306H	Zuma Beach	S	667 B1	34-01-15	118-49-42	15	11.18	
321	Pine Canyon Patrol Station	DA	4102 C3	34-40-24	118-25-45	3286	8.67	E
322	Munz Valley Ranch	S	4013 A4	34-42-50	118-21-15	2600	4.69	
334B	Cogswell Dam	SA	XI	34-14-37	117-57-35	2300	15.94	
336	Silver Lake Reservoir	SP	537 A1	34-06-08	118-15-54	445	8.53	
338C	Mt. Wilson-Observatory	SP	571 G6	34-14-07	118-04-28	5709	18.19	
356C	Spadra-Lanterman Hospital	S DA	640 B4	34-02-31	117-48-35	690	7.05	A
372	San Francisquito Power House No.2	SP DA	X	34-32-02	118-31-27	1580	9.12	
373C	Briggs Terrace	S	504 H6	34-14-17	118-13-27	2200	16.03	
377F	Lake Sherwood Estates	SP AP	557 A4	34-08-26	118-52-31	960	12.04	
379B	San Gabriel-East Fork	DA	510 B5	34-14-09	117-48-18	1600	10.15	E
387B	Covina City Yard	SP	599 B5	34-05-02	117-53-57	508	7.44	
388D	Paramount-County Fire Department	8.81	735 G4	33-53-50	118-10-02	80	11.93	
390B	Morris Dam	SP	539 C6	34-10-53	117-52-43	1210	12.88	
391C	Montebello-Fire Department	8.81	676 E2	34-01-08	118-06-15	250	8.04	
394	Highland Park	S	595 E1	34-07-06	118-10-39	620	8.62	
402F	Cedar Springs	DA	XI	34-21-21	117-52-34	6780	8.72	E
405B	Soledad Canyon	S	4463 J6	34-26-23	118-17-33	2150	7.13	
406C	West Azusa	S	598 H2	34-06-53	117-54-56	505	8.22	
409B	Pyramid Reservoir	SP	X	34-40-34	118-46-47	2505	12.74	
415	Signal Hill-City Hall	S DA	795 G3	33-47-49	118-10-03	140	8.22	
425B	San Gabriel Dam	S DA	509 E3	34-12-19	117-51-38	1481	14.24	
434	Agoura	DA	558 B7	34-08-08	118-45-08	800	8.71	
435	Monte Nido	DA	628 J1	34-04-41	118-41-35	600	10.78	E
436C	Hansen Dam	DA	502 G3	34-16-08	118-23-59	1110	7.93	
442C	Mescal Creek	S	XI	34-29-05	117-44-10	3570	4.27	
446	Aliso Canyon-Oat Mountain	DA	480 F3	34-18-53	118-33-25	2367	12.48	
447C	Carbon Canyon	S	629 F6	34-02-18	118-38-56	50	8.44	

## LEGEND

8.81	8.81 inch diameter no-recording gage owned by the Public Works
AP	Automatic recording gage owned by outside interest
DA	Daily Automatic
S	Standard 8 inch diameter non-recording gage owned by the Public Works
SA	Automatic recording gage owned by the Public Works
SP	Standard 8 inch diameter non-recording gage owned by outside interest

## NOTES:

E	Estimate
A	Accumulated Total
I	Incomplete
TI	Temporary Inactive
NA	Not Available

# PRECIPITATION

## Active Rain Gage Stations During Water Year 1998 - 1999

Station No.	Station Name	Gage Type	Thomas Guide Page	North Latitude	West Longitude	Gage Elev. (ft)	Season Total (in)	Notes
453D	Devil's Gate Dam	DA	535 E7	34-10-53	118-10-27	980	9.57	
455B	Lancaster-State Hwy Maintenance Sta.	S	4105 J1	34-40-57	118-08-02	2395	3.34	
462B	Los AngelesHillcrest Country Club	S	632 F4	34-02-54	118-24-06	185	10.34	
482	Los Angeles-U.S.C.	S	674 A1	34-01-14	118-17-15	208	9.40	
488B	Kagel Canyon Patrol Station	S	482 D5	34-17-45	118-22-30	1450	14.39	E
491D	Pacific Palisades	S	630 J6	34-02-22	118-31-43	293	7.46	
492A	Chilao - State Highway Maintenance Sta.	DA	4557 F1	34-19-05	118-00-30	5275	7.87	
497	Claremont-Slaughter	S	571 B7	34-07-35	117-43-55	1350	9.64	
517B	Lewis Ranch	S DA	XI	34-25-12	117-53-11	4615	7.16	
542	Fairmont	SP	X	34-42-15	118-25-40	3050	8.27	
564C	Llano	S	4379 F5	34-29-13	117-50-02	3390	3.98	
591B	Santa Anita Reservoir	SP	536 E7	34-11-08	118-06-16	1205	12.76	
598D	Neenach-Check 43-California D.W.R.	SP	X	34-47-40	118-37-15	2965	6.89	
610B	Pasadena-City Hall	SP	565 J4	34-08-54	118-08-36	864	11.06	
612B	Pasadena-Chlorine Plant	SP	535 F3	34-12-04	118-09-49	1160	14.74	
613C	Pasadena Fire Station	SP	566 A6	34-07-15	118-08-05	779	10.57	
619	San Antonio Canyon-Sierra Power House	DA	XI	34-12-29	117-40-26	3110	15.14	E
627	San Gabriel Canyon-Power House	SP DA	568 J3	34-09-20	117-54-28	744	11.15	
634C	Santa Monica	S	671 E2	34-00-43	118-29-27	94	7.65	
662D	Long Beach Airport	SP	791 J1	33-49-00	118-09-00	34	8.54	
680B	Westwood (U.C.L.A.)	SP	632 B1	34-04-10	118-26-30	430	10.22	
683B	Sunset Ridge	S	535 F5	34-12-53	118-08-47	2110	13.86	
694G	Big Tujunga Canyon-Cmp	DA	X	34-17-22	118-17-17	1525	10.59	
695B	Tujunga Canyon-Vogel Flat	S	X	34-17-12	118-13-32	1850	15.17	E
716	Los Angeles-Ducommun St.	SP A AP	634 H4	34-03-09	118-14-13	306	9.32	
734C	Los Angeles International Airport	SP	702 G5	33-56-25	118-23-44	105	9.26	
735H	Bell Canyon	DA	529 D6	34-11-40	118-39-23	895	8.50	
742C	San Gabriel Fire Department	SP	596 F4	34-06-11	118-05-56	445	7.03	
747	Sandberg-Airways Station	SP	X	34-44-47	118-43-29	4517		NA
749B	Burbank Valley Pump Plant	SP	533 C6	34-11-11	118-20-54	655	10.41	
750B	Palmdale-F.A.A. Airport	S	4196 E5	34-37-20	118-05-00	2528	3.94	
771B	Pacific Palisades-Riviera Country Club	S	631 D4	34-03-03	118-29-58	315	10.10	
794	Lower Franklin Reservoir	SP	592 F6	34-05-43	118-24-40	585	8.51	
795	Pasadena-Jourdan	SP	566 F5	34-08-52	118-05-14	705	12.16	

## LEGEND

8.81	8.81 inch diameter no-recording gage owned by the Public Works
AP	Automatic recording gage owned by outside interest
DA	Daily Automatic
S	Standard 8 inch diameter non-recording gage owned by the Public Works
SA	Automatic recording gage owned by the Public Works
SP	Standard 8 inch diameter non-recording gage owned by outside interest

## NOTES:

E	Estimate
A	Accumulated Total
I	Incomplete
TI	Temporary Inactive
NA	Not Available

# PRECIPITATION

## Active Rain Gage Stations During Water Year 1998 - 1999

Station No.	Station Name	Gage Type	Thomas Guide Page	North Latitude	West Longitude	Gage Elev. (ft)	Season Total (in)	Notes
797	De Soto Reservoir	SP	500 B2	34-16-17	118-35-12	1127	10.00	
801B	Magic Mountain	S	X	34-23-18	118-19-27	4720	13.32	E
802C	Eagle Rock Reservoir	SP	565 C5	34-08-47	118-11-20	970	10.51	
807	Ascot Reservoir	SP	595 C6	34-04-46	118-11-14	620	9.36	
1005B	Mint Canyon Fire Station	S	X	34-30-35	118-21-40	2300	5.85	
1006	San Pedro-City Reservoir	SP	824 B4	33-44-37	118-17-47	150	8.25	
1011B	Palos Verdes Fire Station	S	823 D3	33-45-25	118-21-11	1275	10.67	E
1012B	Castaic Junction	SA	4459 H7	34-26-18	118-36-43	1005	5.24	E
1017B	Little Rock Creek Above dam	DA	XI	34-28-41	118-01-24	3280		NA
1025	Malibu Beach-Dunne	S	628 G7	34-02-00	118-42-42	160	9.58	E
1029C	Tujunga-Mill Creek Summit ranger station	AP S	X	34-23-22	118-04-49	4990	11.89	
1037	Arcadia-Arboretum	S	567 A5	34-08-48	118-02-59	565	8.88	
1041B	Santa Fe Dam	S	598 A	34-07-04	117-58-24	427	8.22	
1046B	Santa Anita Cyn-Chantry flat	S	537 E	34-11-46	118-01-20	2175	16.54	I
1050F	Old Topanga Canyon	S	108 F3	34-06-24	118-37-43	1000	13.40	
1051B	Canoga Park-Pierce College	SP	530 D	34-10-51	118-34-23	800	8.11	
1058B	Palmdale	SP	4196	34-35-17	118-05-31	2595	2.84	
1060B	Little Rock-Sycamore Camp	DA	XI	34-25-02	117-58-13	4000		NA
1070	Manhattan Beach	S	732 J	33-53-00	118-23-19	182	7.82	
1071B	Descanso Gardens	S	535 B	34-12-07	118-12-46	1325	13.61	
1072B	Little Tujunga Ranger Station	SP	4723	34-17-37	118-21-38	1275	9.30	I
1074	Little Gleason	DA	X	34-22-43	118-08-57	5600	10.45	
1076B	Monte Cristo Ranger Station	SP	XI	34-19-42	118-07-20	3360	11.35	
1077B	Monrovia-Five Points	S	567 G	34-09-58	117-59-37	962	12.59	
1081B	Glendale-Gregg	SP	534 F	34-11-45	118-14-30	1350	12.44	
1087	Green-Verdugo Pumping Plant	S	503 D	34-15-25	118-20-11	1340	13.05	
1088B	La Habra Heights-Mutual Water Co.	SA	708 D	33-56-55	117-57-51	445	8.18	
1095	Orange County Reservoir	SP	OC 2 F	33-56-07	117-52-58	660	9.41	
1107D	La Tuna Debris Basin	DA	503 E	34-14-13	118-19-37	1160	9.40	
1113	Dominguez Water Co.	DA	764 J	33-49-54	118-13-30	30	6.88	
1114B	Whittier Narrows Dam	AP	636 H	34-01-29	118-05-02	239	7.54	
1115	San Antonio Dam	SP	571 J	34-09-24	117-40-20	2120	11.97	
1126A	Los Angeles-East Valley	8.81	532 E	34-12-30	118-24-35	780	9.92	
1128	Wrightwood Fire Department	SP	S.B.CO	34-21-34	117-37-57	5960	4.30	

## LEGEND

8.81	8.81 inch diameter no-recording gage owned by the Public Works
AP	Automatic recording gage owned by outside interest
DA	Daily Automatic
S	Standard 8 inch diameter non-recording gage owned by the Public Works
SA	Automatic recording gage owned by the Public Works
SP	Standard 8 inch diameter non-recording gage owned by outside interest

## NOTES:

E	Estimate
A	Accumulated Total
I	Incomplete
TI	Temporary Inactive
NA	Not Available

# PRECIPITATION

## Active Rain Gage Stations During Water Year 1998 - 1999

Station No.	Station Name	Gage Type	Thomas Guide Page	North Latitude	West Longitude	Gage Elev. (ft)	Season Total (in)	Notes
1129B	Nicholas Canyon	S	626 A	34-02-52	118-54-57	340	10.29	A
1152	Clear Creek Ranger Station	S	XI	34-16-15	118-09-11	3625	15.26	E
1158	Torrance Municipal Airport	S	793 E	33-47-59	118-20-08	102	8.57	
1166B	Mile High Ranch	S	XI	34-24-40	117-46-15	5280	6.58	
1169B	Piru-Temescal Guard Station	SP	V.CO.	34-28-22	118-45-21	1150	3.93	
1170B	Thousand Oaks Weather Station	AP	V.CO.	34-10-44	118-51-01	805	8.83	
1171B	Camulos Ranch	SP	V.CO.	34-24-22	118-45-21	725	10.07	
1191	Bear Divide	S	128 F6	34-21-35	118-23-37	2700	13.19	
1193	Westlake Village	S	557 C	34-08-19	118-49-05	885	9.01	
1194	Santa Ynez Reservoir	S	630 E	34-04-23	118-33-59	735	9.45	
1195	Chino Fire Station No.2	SP	S.B.CO	33-59-00	117-43-20	655	6.41	
1196	Montclair Fire Department	SP	641 H	34-03-41	117-41-16	965	7.74	
1197	Cajon West Summit	SP	S.B.CO	34-23-30	117-34-35	4838	4.50	
1198	Phelan Fire Control	SP	S.B.CO	34-25-30	117-34-00	4160	1.53	
1212	Lancaster FSS/FAA	SP	4014	34-44-00	118-13-00	2340	4.46	
1216	Rancho Palos Verdes	S	822 H	33-45-10	118-23-32	780	9.54	
1217	Los Angeles Country Club	S	632 D	34-04-10	118-25-17	380	10.49	A
1222	Northridge-Garland	8.81	501 C	34-14-17	118-30-59	911	8.91	
1223	Woodland Hills-Sherman	8.81	559 E	34-10-06	118-38-57	1035	9.78	A
1239	Malibu-Big Rock Mesa	DA	629 H	34-02-34	118-37-16	725	10.36	
1240	Pearblossom-Calif.D.W.R. Booster Sta.	SP	4378	34-30-32	117-55-15	3050	3.32	
1242	Rocky Buttes	DA	XI	34-39-00	117-51-48	2540	1.57	E
1243	Redman	DA	XI	34-45-52	117-55-30	2360	2.09	E
1244	Lancaster-Roper	S DA	4107	34-40-27	118-00-37	2450	0.28	I
1246	Scott Ranch	S DA	XI	34-46-59	118-28-10	2710	3.32	I
1247	North Lancaster	DA	3926	34-45-41	118-07-30	2310	0.16	I
1248	Mescal-Smith	DA	XI	34-28-03	117-42-40	3810	1.20	I
1249	Relay	DA	XI	34-45-43	117-47-55	3140	1.17	E
1250	Avek	DA	4288	34-32-21	117-55-23	2825	0.88	I
1252	Palos Verdes Landfill	SP	793 D	33-45-40	118-20-03	400	8.50	A
1254	Long Beach Reclamation Plant	SP	796 G	33-48-11	118-05-20	20	8.91	
1255	Los Coyotes Reclamation Plant	SP	736 E	33-53-05	118-06-24	70	8.83	
1256	South Gate Transfer Station	SP	705 G	33-56-40	118-09-56	100	7.06	
1257	San Jose Creek Reclamation Plant	SP	637 F	34-01-55	118-01-16	275	7.29	

## LEGEND

8.81	8.81 inch diameter no-recording gage owned by the Public Works
AP	Automatic recording gage owned by outside interest
DA	Daily Automatic
S	Standard 8 inch diameter non-recording gage owned by the Public Works
SA	Automatic recording gage owned by the Public Works
SP	Standard 8 inch diameter non-recording gage owned by outside interest

## NOTES:

E	Estimate
A	Accumulated Total
I	Incomplete
TI	Temporary Inactive
NA	Not Available



# PRECIPITATION

## Active Rain Gage Stations During Water Year 1998 - 1999

Station No.	Station Name	Gage Type	Thomas Guide Page	North Latitude	West Longitude	Gage Elev. (ft)	Season Total (in)	Notes
1258	Puente Hills Landfill	SP	637 D	34-01-35	118-01-49	300	8.09	A
1259	Whittier Narrows Reclamation Plant	SP	636 J	34-03-59	118-03-54	225	7.68	
1260	Spadra Landfill	SP	640 A	34-02-36	117-49-50	700	7.67	A
1261	La Canada Reclamation Plant	SP	535 D	34-13-00	118-11-14	1800	13.79	
1262	Saugus Reclamation Plant	SP	4550	34-24-48	118-32-23	1150	6.98	
1263	Valencia Reclamation Plant	SP	4549	34-25-55	118-37-13	1000	7.30	
1264	Calabasas Landfill	SP	558 G	34-08-25	118-42-35	800	9.59	A
1265	Scholl Canyon Landfill	SP	565 C	34-08-38	118-11-07	1000	11.47	A
1266	Mission Canyon Landfill	SP	591 G	34-08-40	118-28-45	1150	9.66	A
1267	Lancaster Reclamation Plant	SP	3925	34-46-38	118-09-11	2302	3.13	
1268	Palmdale Reclamation Plant	SP	4196	34-35-30	118-05-10	2565	4.00	
1271	Pomona Waste Reclamation Plant	SP	640 E	34-03-18	117-47-34	786	7.34	
1274	Whittier - Valna Drive	S	707 F	33-57-39	118-01-10	255	9.77	
1277	DPW Headquarters, Fremont	DA	595 H6	34-05-12	118-09-01	450	12.61	
1278	La Canada Flintridge	S	535 B1	34-13-22	118-12-17		15.91	I

## LEGEND

8.81	8.81 inch diameter no-recording gage owned by the Public Works
AP	Automatic recording gage owned by outside interest
DA	Daily Automatic
S	Standard 8 inch diameter non-recording gage owned by the Public Works
SA	Automatic recording gage owned by the Public Works
SP	Standard 8 inch diameter non-recording gage owned by outside interest

## NOTES:

E	Estimate
A	Accumulated Total
I	Incomplete
TI	Temporary Inactive
NA	Not Available

**P R E C I P I T A T I O N**

**DAILY RAINFALL SUMMARY**

[See Appendix A](#)



## EVAPORATION

### EVAPORATION

Monthly and seasonal data for 13 active evaporation stations were reported to the Department during the reporting period. Daily records of active and inactive Department stations, as well as some stations of other agencies, are available in the Department's files. This data can be obtained by contacting the [custodian](#) of hydrologic records.

**COOPERATION:**

The Department receives evaporation data from The Metropolitan Water District, Palmdale Water District, California Department of Water Resources, and Descanso Gardens.

**CUSTODIAN:**

Unpublished information may be obtained by contacting:  
Los Angeles County Department of Public Works  
Water Resources Division  
P.O. Box 1460  
Alhambra, CA 91802-1460  
...or telephone: (626) 458-6120

**LENGTH OF RECORD:**

The Los Angeles County Flood Control District (now administered by the Department) installed its first land pan in March 1929 at Santa Anita Dam. The Department has 30 evaporation stations which have records of 15 seasons or more in the Department's files.

<b>EVAPORATION</b>
--------------------

**ACTIVE STATIONS**

NO.	STATION NAME	EQUIPMENT	ELEV OF PAN	THOMAS GUIDE	NORTH LAT	WEST LONG
33 A	Pacoima Dam	24X36 S	1500 ft.	482 F1	34-19-48	118-23-59
46 D	Big Tujunga Dam	24X36 S	2315 ft.	xi	34-17-40	118-11-14
63 C	Santa Anita Dam	24X36 S	1400 ft.	710 B2	34-11-03	118-01-12
89 B	San Dimas Dam	24X36 S	1350 ft.	470 F2	34-09-10	117-46-17
96 C	Puddingstone Dam	24X36 S	1030 ft.	600 A4	34-05-31	117-48-24
223 B	Big Dalton Dam	24X36 S	1587 ft.	570 B4	34-10-06	117-48-36
252 C	Castaic Reservoir	48X10 S	1150 ft.	4369 H6	34-29-53	118-36-53
334 B	Cogswell Dam	24X36 S	2300 ft.	ix	34-14-37	117-57-35
390 B	Morris Dam	72X36 US	1210 ft.	ix	34-10-53	117-52-43
409 B	Pyramid Reservoir	48X10 S	2505 ft.	593 E1	34-40-34	118-46-47
425 B	San Gabriel Dam	24X36 S	1481 ft.	ix	34-12-19	117-51-38
1058 B	Palmdale	24X36 S	2595 ft.	4196 E6	34-35-17	118-05-31
1071 B	Descanso Gardens	24X36 S	1325 ft.	535 B4	34-12-07	118-12-46

**FOOTNOTES**

**24X36 S** Screened land pan, 24 inches in diameter by 36 inches deep.

**48X10 S** Screened land pan, 48 inches in diameter by 10 inches deep.

**72X36 US** Unscreened land pan, 72 inches in diameter by 36 inches deep.

## EVAPORATION

### MONTHLY SUMMARY

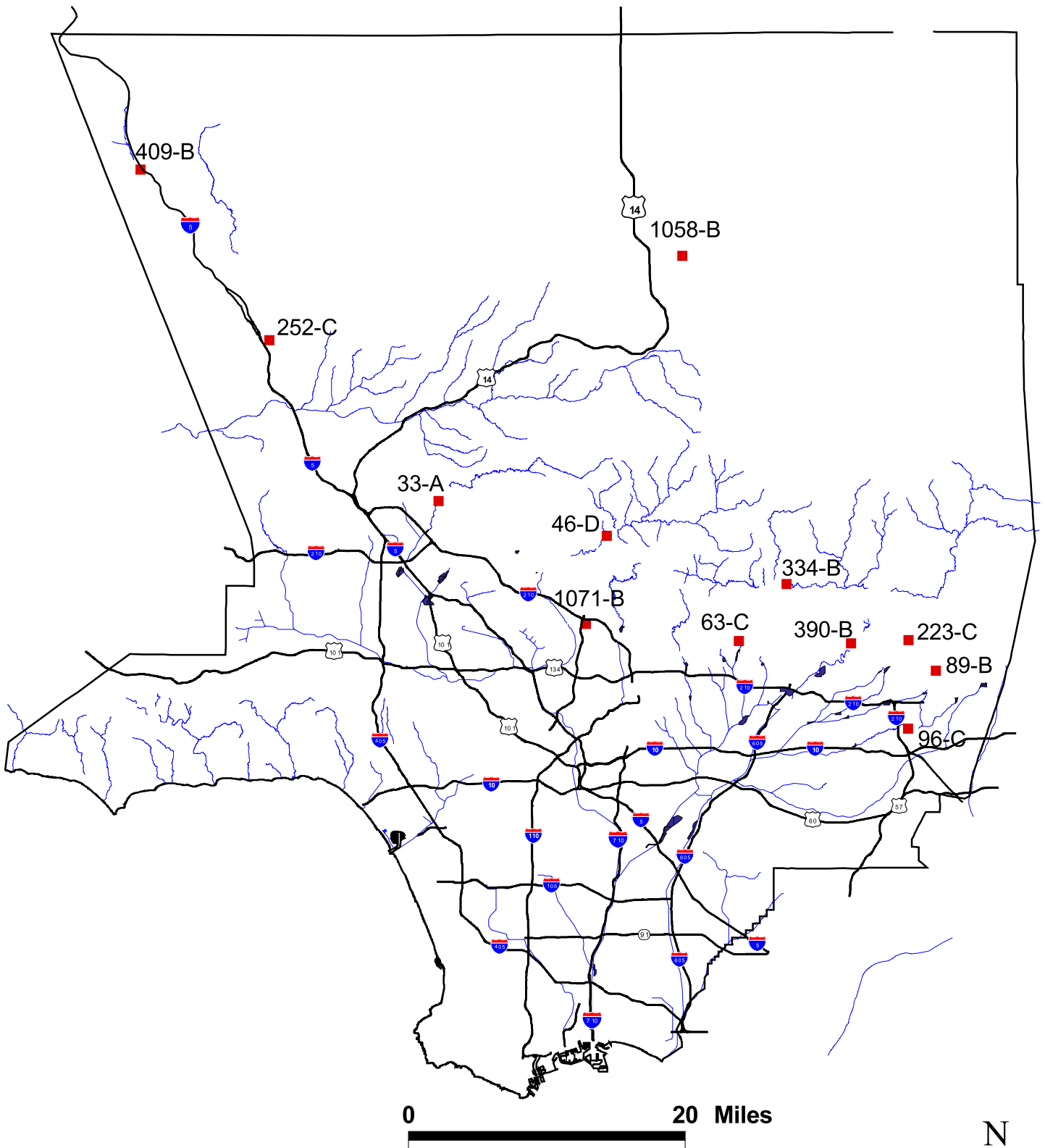
ID	Station Name	Oct	Nov	Dec	Jan	Feb	Mar	Apr	May	Jun	Jul	Aug	Sep	Total
33-A	Pacoima Dam	[ ]	[ 5.84 ]	6.31	6.21	4.62	4.09	5.27	5.11	6.91	10.19	11.64	7.82	[ 73.99 ]
46-D	Big Tujunga Dam	8.19	5.35	[ ]	[ 5.43 ]	4.61	[ ]	[ 5.94 ]	7.66	[ ]	[ 14.02 ]	14.74	12.35	[ 78.28 ]
63-C	Santa Anita Dam	4.88	3.51	3.46	3.42	2.58	2.35	3.30	2.74	4.01	6.20	6.89	5.02	48.34
89-B	San Dimas Dam	3.54	1.70	1.91	1.49	1.48	2.06	3.09	3.95	5.95	8.48	8.40	5.37	47.39
96-C	Puddingstone Dam	4.55	2.70	2.62	2.61	1.91	2.74	3.80	4.72	6.51	8.55	8.82	6.23	55.73
223-C	Big Dalton Dam	3.66	1.91	2.02	1.97	1.63	2.40	3.19	3.48	4.99	7.36	8.32	4.87	45.79
252-C*	Castaic Dam	6.64	4.59	4.11	4.49	4.06	5.25	6.86	8.19	[ ]	[ 11.01 ]	[ ]	[ 8.03 ]	[ 63.23 ]
334-B	Cogswell Dam	3.74	1.81	[ 1.69 ]	1.33	1.46	2.00	2.54	4.32	[ 5.92 ]	8.37	8.31	6.16	[ 47.63 ]
390-B	Morris Dam	6.26	3.76	4.08	3.64	3.44	3.95	4.89	6.06	8.18	11.36	11.77	8.22	75.61
409-B*	Pyramid Reservoir	6.19	4.13	4.91	5.13	3.50	5.92	7.45	9.76	11.96	[ ]	[ ]	[ ]	[ 58.95 ]
425-B	San Gabriel Dam	[ ]	[ ]	[ ]	[ ]	[ 1.19 ]	[ 1.88 ]	3.93	4.47	6.22	8.15	8.59	6.56	[ 40.98 ]
1058-B	Palmdale	5.66	3.05	2.66	2.51	2.91	4.62	6.06	8.00	10.36	11.90	11.55	8.13	77.37
1071-B	Descanso Gardens	3.23	1.86	[ ]	[ 1.39 ]	1.60	1.97	2.81	3.87	5.93	8.00	7.68	5.80	[ 44.11 ]

Units are in inches.

[ ] Missing Data.

\*Department of Water Resources

# Evaporation Locations



## LEGEND

■ Evaporation Station



## R U N O F F

### RUNOFF

The Department operates 65 streamflow measurement stations (62 water-stage recording stations and 3 witness gages). Daily mean flow data and maximum instantaneous flow for each station were collected for these [stations](#) during the reporting period. Additional data can be obtained by contacting the [custodian](#) of hydrologic records.

#### ALERT SYSTEM:

##### *Automated Local Evaluation in Real Time*

The Department operates and maintains the ALERT computer system to monitor meteorological conditions at 23 river stage locations in the County.

The Department's ALERT System also receives rainfall, streamflow, and reservoir data from the Corps of Engineers' Los Angeles Telemetry System.

#### CUSTODIAN:

Unpublished information may be obtained by contacting:  
 Los Angeles County Department of Public Works  
 Water Resources Division  
 P.O. Box 1460  
 Alhambra, CA 91802-1460  
 ...or telephone: (626) 458-6120

#### COOPERATION:

The Department receives or has access to streamflow data from other agencies. Data from 5 of the Department's stations are published in the United States Geological Survey's annual water supply papers.

Agencies with which the Department exchanges data are:

- United States Geological Survey, Water Resource Division
- United States Army Corps of Engineers
- State Department of Water Resources
- The Metropolitan Water District of Southern California
- San Gabriel River Water Committee



# R U N O F F

## Index of Stream Flow Measuring Stations

Station No.	Station Name	Thomas Guide Page	Regulated	Drainage Area	Length Of Record
F81D-R	ALHAMBRA WASH above Klingerman Street	636 G3	No	15.20	9/2/36
F317-R	ARCADIA WASH below Grand Avenue	597 C4	Yes	8.50	12/12/55
F277-R	ARROYO SECO below Devil's Gate Dam	535 E7	Yes	32.50	11/30/42
F250-R	AZUSA CONDUIT (sandbox 20' weir)	509/539	Yes	202.70	2/14/35
F220B-R	AZUSA CONDUIT (sandbox 10' weir)	509/539	Yes	0.00	10/23/63
F38C-R	BALLONA CREEK above Sawtelle Blvd.	672 G4	Yes	88.60	8/10/67
F120B-R	BIG DALTON CREEK below Big Dalton Dam	509/540	Yes	4.80	6/3/40
F394-R	BIG ROCK CREEK upstream from Pallett Creek	4469 D3	No	34.30	4/22/83
F168-R	BIG TUJUNGA CREEK below Big Tujunga Dam	4645/4725	Yes	82.30	12/8/31
F377-R	BOUQUET CANYON CREEK at Urbandale Avenue	4461 C5	Yes	51.90	10/11/67
F329-R	BRADBURY CHANNEL below Central Avenue	568 C5	Yes	3.30	6/14/57
F342-R	BRANFORD STREET CHANNEL below Sharp Avenue	502 E7	Yes	5.01	1/12/62
E285-R	BURBANK WESTERN STORM DRAIN at Riverside Dr.	563 H3	Yes	25.00	10/1/49
F37B-R	COMPTON CREEK near Greenleaf Drive	734 J6	No	22.60	10/3/38
F354-R	COYOTE CREEK below Spring Street	796 H2	Yes	185.00	12/17/63
F274B-R	DALTON WASH at Merced Avenue	638 D1	Yes	35.95	11/2/58
F271-R	EATON WASH below Eaton Wash Dam	566 F1	Yes	12.40	10/1/40
F318-R	EATON WASH at Loftus Drive	597 A7	Yes	22.80	2/23/56
U7-R	FISH CREEK above mouth of canyon	568 G1	No	6.36	7/1/17
F251-R	LEAKAGE at Toe of Cogswell Dam	508 C5	Yes	39.20	4/26/35
L1-R	LITTLE ROCK CREEK above Little Rock Dam	4467 D2	No	49.20	10/1/30
F356-R	LIVE OAK CREEK below Live Oak Dam	571 A5	Yes	2.28	11/29/63
F319-R	LOS ANGELES RIVER below Wardlow River Road	765 C1	Yes	815.00	1/13/56
F300-R	LOS ANGELES RIVER at Tujunga Avenue	562 J6	Yes	401.00	5/8/50
F57C-R	LOS ANGELES RIVER above Arroyo Seco	594 H6	Yes	511.00	12/8/39
F34D-R	LOS ANGELES RIVER below Firestone Blvd.	705 F4	Yes	596.00	11/12/56
F130-R	MALIBU CREEK below Cold Creek	628 H1	Yes	104.96	1/17/31
F395-R	MESCAL CREEK at mouth of canyon	4471 D4	No	5.71	1/28/83
F328-R	MINT CANYON CREEK at Fitch Avenue	4462 C6	No	26.90	10/26/56
F181-R	MONTEBELLO STORM DRAIN above Rio Hondo	676 E4	No	9.60	1/12/32
F118B-R	PACOIMA CREEK FLUME below Pacoima Dam	4642 F7	Yes	28.20	2/9/35
F305-R	PACOIMA DIVERSION at Branford Street	502 D7	Yes	48.80	10/30/53
F122-R	PALLETT CREEK at Valyermo Highway	4469 D2	No	15.80	10/31/61
F192B-R	RIO HONDO below Lower Azusa Avenue	597 D5	Yes	40.90	12/18/58
F45B-R	RIO HONDO above Stuart and Gray Road	705 G4	Yes	140.00	11/20/51
F313B-R	RIO HONDO BYPASS - Zone one Ditch	637 A7	Yes	Controlled	11/28/83
F338-R	RUBIO DIVERSION CHANNEL below Gooseberry Inlet	536 C5	Yes	2.10	12/16/59
F82C-R	RUBIO WASH at Glendon Way	596 H7	Yes	10.90	11/6/36
F303-R	SAN DIMAS CREEK below San Dimas Dam	570 F2	Yes	16.20	12/24/51
F218-R	SAN DIMAS WASH below Puddingstone Diversion	570 E5	Yes	19.90	1/26/33
F42B-R	SAN GABRIEL RIVER above Spring Street	796 G1	Yes	231.00	11/16/64
G44B-R	SAN GABRIEL RIVER above Whittier Narrow Dam	637 C6	No		1/6/48

<b>R U N O F F</b>
--------------------

E281	SAN GABRIEL RIVER below Santa Fe Dam	568 B2	No		
U8-R	SAN GABRIEL RIVER below Morris Dam	569 B2	Yes	212.40	5/18/94
F261C-R	SAN GABRIEL RIVER below Valley Blvd.	637 F3	Yes	118.00	11/29/60
F190-R	SAN GABRIEL RIVER at Foothill Blvd.	568 E5	Yes	230.00	4/25/32
F263C-R	SAN GABRIEL RIVER below San Gabriel River Parkway	676 J2	Yes	206.30	8/9/68
F209-R	SAN GABRIEL RIVER below Cogswell Dam	508 C5	Yes	41.00	12/8/33
F262C-R	SAN GABRIEL RIVER above Florence Avenue	706 E5	Yes	215.80	8/6/68
F312B-R	SAN JOSE CHANNEL below Sevent Avenue	637 G6	Yes	83.40	4/23/92
F119-R	SANTA ANITA CREEK below Santa Anita Dam	537 E6	Yes	10.80	1/13/64
F260C-R	SANTA ANITA WASH below Foothill Blvd.	567 D4	Yes	17.20	12/11/59
F193B-R	SANTA ANITA WASH at Longden Avenue	597 F2	Yes	18.80	1/5/60
F92-R	SANTA CLARA RIVER at Old Road Bridge	4450 C2	Yes	410.40	9/1/81
F280-R	SANTA FE DIVERSION CHANNEL below Santa Fe Dam	598 B2	Yes	Controlled	10/1/42
F125-R	SANTIAGO CREEK above Little Rock Creek	4467 D2	No	11.20	9/29/53
F278-R	SAWPIT CREEK below Sawpit Dam	537 H7	Yes	3.30	2/6/42
F194B-R	SAWPIT WASH below Live Oak Avenue	597 G2	Yes	16.10	12/5/60
F32B-R	THOMPSON CREEK below Thompson Creek Dam	571 E4	Yes	3.70	10/1/44
F54C-R	TOPANGA CREEK above mouth of canyon	630 C3	Yes	18.00	1/1/30
F252-R	VERDUGO WASH at Estelle Avenue	564 C3	Yes	26.80	12/2/35
F304-R	WALNUT CREEK above Puente Avenue	638 B1	Yes	57.60	10/14/52
F40-R	WALNUT CREEK below Puddingstone Dam	600 B4	Yes	33.20	12/28/27

**STREAM GAGING STATION INFORMATION**

[See Appendix B](#)

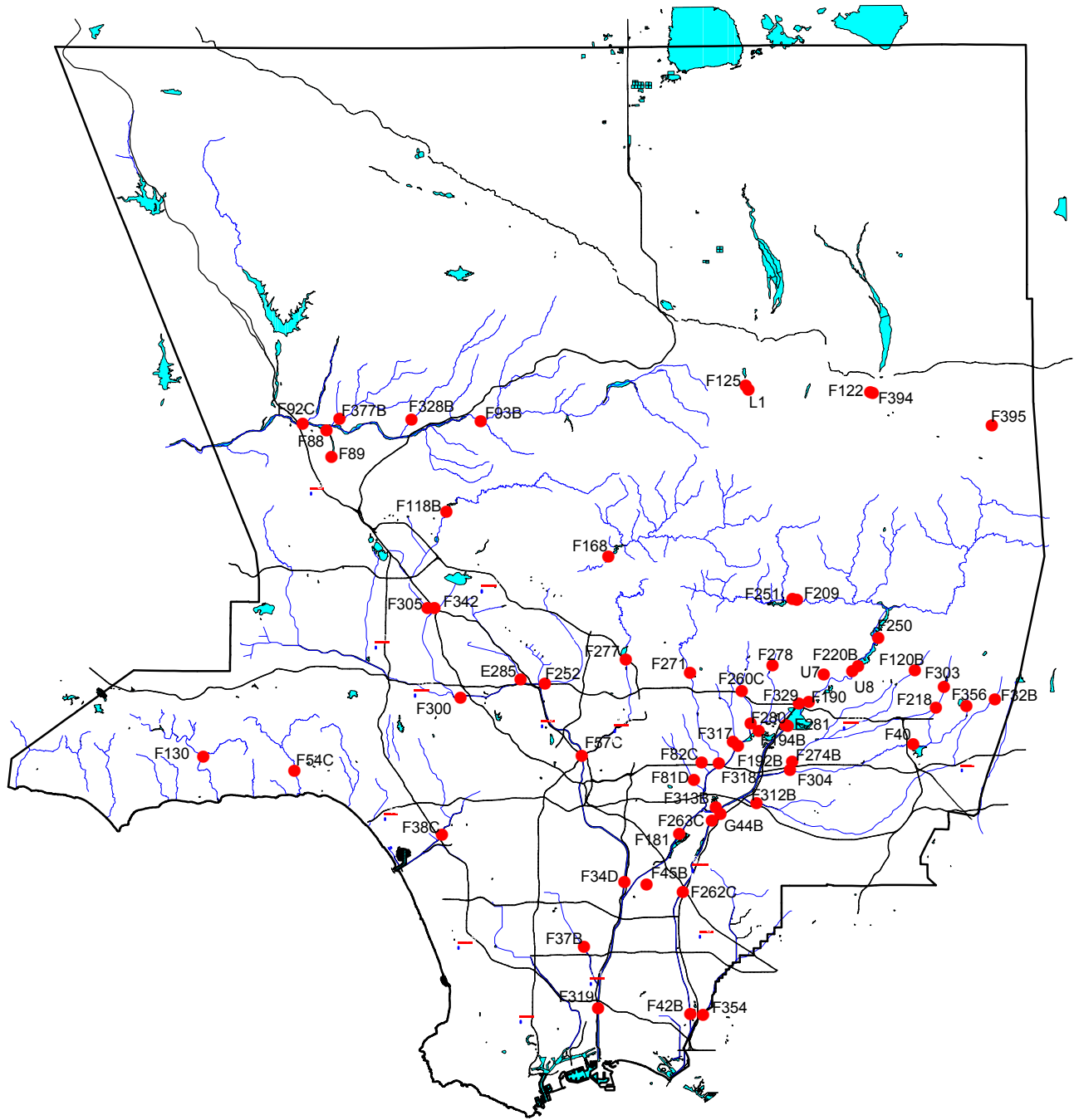
**DAILY DISCHARGE**

[See Appendix C](#)

**STREAM GAGING STATION PEAK FLOW**

[See Appendix D](#)

# STREAM GAGE STATION LOCATIONS



## LEGEND

● Stream Gage Station



## R E S E R V O I R S

**RESERVOIRS:** Following the damaging flood of 1914 and creation of the Los Angeles County Flood Control District in 1915, a program of flood control and water conservation was initiated by the District. Part of this program included the construction of 15 dams which were completed between 1920 and 1939. These dams continued to be operated and maintained by the Department to control flood waters during storm periods. The Department makes post storm releases, when feasible, in amounts that can be conserved in downstream spreading grounds and by channel percolation. In addition, five Corps of Engineers' dams, Lopez, Hansen, Santa Fe, Sepulveda, and Whittier Narrows Dams, are operated by the Corps in conjunction with the Department dams to achieve flood control and/or water conservation.

**RECORDS:**

The Department's 15 dams and reservoirs' locations are shown on the map. Data on the yearly reservoir operation summaries for each reservoir are provided by selecting from the index on the left. Data for these facilities can be obtained by contacting the custodian of hydrologic records.

Los Angeles County Department of Public Works  
Water Resources Division  
P.O. Box 1460  
Alhambra, CA 91802-1460  
...or telephone: (626) 458-6120

**R E S E R V O I R S**

**YEARLY RESERVOIR OPERATION SUMMARY**

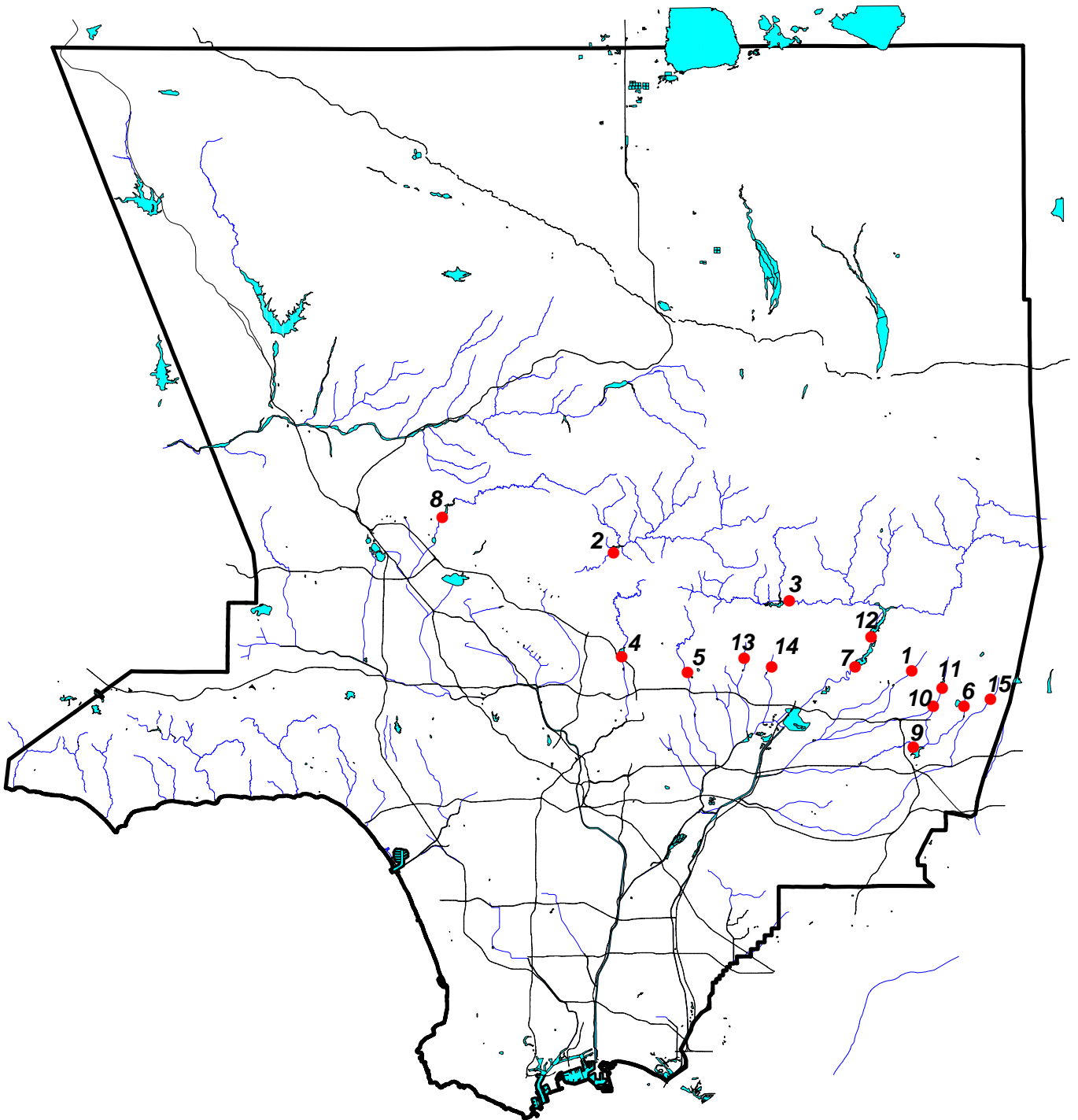
[See Appendix E](#)

# R E S E R V O I R S

## FACILITIES

DPW Dams and Reservoirs	Current Uses	Con-struction Completed	Drainage Area (sq.mi)	Original Capacity (acre-ft)	Spillway Elv (ft)	Location
Big Dalton Dam	Flood control and water conservation	August 1929	4.5	1053	1706	4 miles northeast of Glendora
Big Tujunga Dam	Flood control and water conservation	July 1931	82.3	6240	2290	10 miles northeast of Sunland
Cogswell Dam	Flood control and water conservation	April 1934	39.2	12298	2385	22 miles north of Azusa
Devil's Gate Dam	Flood control and water conservation	June 1920	31.9	4601	1040.5	Arroyo Seco, northwest of Pasadena
Eaton Wash Dam	Flood control and debris storage	February 1937	12.4	956	887.5	Eaton Wash, northeast of Pasadena
Live Oak Dam	Flood control and water conservation	November 1922	2.3	250	1496	2.5 miles northeast of La Verne
Morris Dam	Water conservation	1935	211.4	39300	1152	5 miles north of Azusa
Pacoima Dam	Flood control and water conservation	February 1929	28.2	6060	1950	4 miles northeast of San Fernando
Puddingstone Dam	Flood control and water conservation	January 1928	33.1	17938	970	1 mile south of San Dimas
Puddingstone Diversion	Flood control and diversion of flow	July 1928	19.9	148	1152.5	2 miles northeast of San Dimas
San Dimas Dam	Flood control and diversion of flow	September 1922	16.2	1496	1462	3 miles northeast of San Dimas
San Gabriel Dam	Flood control and water conservation	July 1939	202.7	53344	1453	7.5 miles north of Azusa
Santa Anita Dam	Flood control and water conservation	March 1927	10.8	1376	1316	2.5 miles north of Arcadia
Sawpit Dam	Flood control and water conservation	June 1927	3.2	476	1360	2 miles north of Monrovia
Thompson Creek Dam	Flood control and water conservation	March 1928	3.5	812	1634	3 miles north of Claremont
FC FLOOD CONTROL WC WATER CONSERVATION DC DEBRIS CONTROL R RECREATION						

# Reservoir Locations



1. Big Dalton Dam
2. Big Tujunga Dam
3. Cogswell Dam
4. Devil's Gate Dam
5. Eaton Wash Dam

6. Live Oak Dam
7. Morris Dam
8. Pacoima Dam
9. Puddingstone Dam
10. Puddingstone Diversion Dam

11. San Dimas Dam
12. San Gabriel Dam
13. Santa Anita Dam
14. Sawpit Dam
15. Thompson Creek Dam

# E R O S I O N   C O N T R O L

## EROSION CONTROL

Each year eroded material in various forms (debris consisting of rock, sand, trees, etc.) flows out of the mountain watersheds of Los Angeles County. In an effort to control this potentially disruptive force, the Department maintains a series of debris basins in canyon mouths and upstream stabilization structures in selected watersheds.

### DEBRIS BASINS:

The purpose of a debris basin is to entrap the sediment flows emanating from the canyon and let the relatively desilted water pass into the downstream flood control channels.

The Department maintained 115 debris basins during the reporting period. The combined total maximum capacity of the basins is approximately 7,780,900 cubic yards. [Design data](#) on these facilities are in a table and their locations are shown on [Location Map](#) (in Appendix F).

Data for sediment inflow at individual debris basins and Unpublished information may be obtained by contacting:

Los Angeles County Department of Public Works  
Water Resources Division  
P.O. Box 1460  
Alhambra, CA 91802-1460  
...or telephone: (626) 458-6120

### STABILIZATION STRUCTURES:

The Department has constructed stabilization structures to control erosion in natural canyons. These structures serve to prevent down cutting by stabilizing alluvium deposits. In addition, they store debris generated by the watershed and serve to stabilize side banks, reducing side slope sloughing and bank erosion.

The Department maintained 217 stabilization structures in 47 major watersheds during the reporting period. The Department has not constructed any stabilization structures since the 1973-74 water year.

### EMERGENCY STRUCTURES:

The Department has constructed emergency structures (rail and timber) to entrap the debris from burned watersheds. The structures serve to protect improvements (road, channel, residence, etc.) located downstream of the watersheds.

During the reporting period, 32 emergency structures existed with a total maximum capacity of 253,000 cubic yards. Maps of areas burned during the reporting period can be obtained by contacting the *custodian* of hydrologic records.



**E R O S I O N   C O N T R O L**

**LOCATION MAP**

**See Appendix F**

## E R O S I O N   C O N T R O L

### DEBRIS BASIN - DESIGN DATA:

Including 1998-1999 Storm Season  
(Sedimentation Management Unit)

Debris Basin	First Debris Season	Un-controlled Drainage Area Above Basin (Sq. Mi.)	Bottom Elev. at Max Cap. (ft)	Elevation Port Invert (ft)	Elevation Spillway Crest (ft)	Width Spillway	Elevation Crest of Dam	Maximum Debris Capacity (Cu. Yds)
Aliso	1970-71	2.77	1,108.0	1108.4	1120	70.0	1,134.0	42000 (8)
Arbor Dell	1971-72	0.11	898.7	898.4	913	22.9	919.6	12000
Auburn	1954-55	0.19	1,260.1	1260.5	1278.02	30.0	1,286.0	39000
Bailey	1945-46	0.6	1,123.1	1123.1	1155	30.0	1,166.0	129000
Beatty	1970-71	0.27	800.0	800	807	32.0	815.5	43000
Bigbriar	1971-72	0.02	1,898.3	1896	1910	14.0	1,910.8	2600
Big Dalton	1959-60	2.94	1,102.0	1101.9 (3)	1131.5	116.0	1,148.7	518000
Blanchard	1968-69	0.47	2,026.0	2026	2053.5	40.0	2,065.0	75000
Blue Gum	1968-69	0.19	2,020.0	2020	2042	25.0	2,053.0	40000
Brace	1971-72	0.29	1,189.7	1189.7	1196.1	20.0	1,205.0	30000
Bracemar	1971-72	0.01	1,140.0	1140	1145.5	8.0	1,148.0	700 (14)
Bradbury	1954-55	0.68	912.5	913.1	920	58.0	928.0	90000
Brand	1935-36	1.04	860.0	860	890	60.0	903.0	166000
Buena Vista	1985-86	0.1	978.7	978.7	992.2	39.0	997.7	22000
Carriage House	1970-71	0.03	1,350.2	1350	1362.9	15.0	1,366.8	6100
Carter	1954-55	0.12	1,222.0	1223.2	1238.2	30.0	1,245.0	15000
Cassara	1976-77	0.21	1,271.5	1271.5	1291.7	66.0	1,295.4	37000
Chamberlain	1974-75	0.04	1,084.6	1084	1097.5	20.0	1,101.3	4700
Chandler	1995-96	0.16	1,055.0	1052	1073	36.0	1,078.3	20000 (15)
Childs	1963-64	0.3	1,022.0	1022	1058.8	23.0	1,071.0	50000
Cloud Creek	1972-73	0.01	2,350.5	2350.5	2360	(5)	2,362.0	5100
Cloudcroft	1973-74	0.21	313.9	315	329.5	36.0	329.5	35000
Cooks	1951-52	0.58	2,058.0	2058	2082.9	48.0	2,092.0	52000
Cooks M-1A	1975-76	(13)	2,120.0	(10)	2142.4	(10)	(10)	34000
Crestview	1983-84	0.03	864.4	864	886.2	20.0	891.7	5900 (14)
Crocker	1983-84	0.67	1,064.2	1064.2	1069.8	36.0	1,077.0	19000 (14)
Deer	1954-55	0.59	1,185.4	1185	1201	56.0	1,209.6	57000

#### FOOTNOTES

- (1) Lowest clear water outlet, not spillway.
- (2) Elevation of spillway notch.
- (3) Flow line of sluiceway.
- (4) Elevation of spillway into outlet channel. Elevation of overflow spillway 1,036.9 feet.
- (5) One 30-inch reinforced concrete pipe.
- (6) Four 36-inch corrugated metal pipes.
- (7) One 36-inch reinforced concrete pipe. (Elevated inlet)
- (8) Debris capacity available within right of way limits.
- (9) Pit-type basin.
- (10) Information unavailable.
- (11) Special cleanout required due to limited storage.
- (12) Cleanout required when debris reaches or exceeds elevation 1128.9 feet against face of dam.
- (13) Values are combined with Cooks debris basin.
- (14) Spillway level storage capacity.
- (15) Data taken from design drawings.
- (16) 7 feet in diameter circular outlet type.
- (17) The maximum capacities have been rounded off with regard to appropriate precision consistent with the assumptions used in the development of Hydrology and Sedimentation Manual.
- (18) New maximum capacity based on "As-Built" topographic map number 78B-T56.

## E R O S I O N   C O N T R O L

### DEBRIS BASIN - DESIGN DATA:

Including 1998-1999 Storm Season  
(Sedimentation Management Unit)

Debris Basin	First Debris Season	Un-controlled Drainage Area Above Basin (Sq. Mi.)	Bottom Elev. at Max Cap. (ft)	Elevation Port Invert (ft)	Elevation Spillway Crest (ft)	Width Spillway	Elevation Crest of Dam	Maximum Debris Capacity (Cu. Yds)
Denivelle	1976-77	0.18	1,471.0	1471	1479.3	46.0	1,483.3	7900
Devonwood	1981-82	0.05	1,899.0	1899	1921.7	(16)	1,927.5	11000
Dry Canyon-South Fork	1978-79	0.49	1,062.8	1062.5	1074.8	32.0	1,079.3	7900
Dunsmuir	1935-36	0.84	2,228.0	2227.7	2257.2	60.0	2,272.2	103000
Eagle	1936-37	0.48	1,849.5	1845.5	1880.2	60.0	1,895.2	63000
Elmwood	1964-65	0.31	912.0	911.5	938	22.0	952.0	61000
Emerald-East	1964-65	0.32	1,184.7	1181.1	1192	30.0	1,204.0	14000
Englewild	1961-62	0.44	1,274.9	1275	1297	50.0	1,300.0	41000
Fair Oaks	1935-36	0.2	1,544.0	1544	1561.9	(6)	1,566.5	24000
Fern	1935-36	0.31	1,440.0	1440	1476.42	25.0	1,482.0	43000
Fieldbrook	1974-75	0.35	712.7	713	718	28.0	722.3	2800
Golf Club Drive	1970-71	0.99	880.7	880.7	902	36.7	915.0	15000
Gooseberry Creek	1998-99	0.26	1439.7	1440	1460.45	25.0	1,469.3	34000
Gordon	1973-74	0.18	1075.7	1075	1096	22.0	1,104.5	33000
Gould	1947-48	0.36	1,529.5	1528.2	1548	55.0	1,558.3	53000
Gould (Upper)	1976-77	0.18	1,863.9	1863.9	1897.7	32.0	1,901.0	52000
Halls	1935-36	0.83	1,641.6	1641.8	1662	131.0	1,664.0	94000
Harrow	1958-59	0.43	1,254.8	1255	1269	40.0	1,277.8	68000
Haven Way	1991-92	0.13	1,323.0	1323	1329	20.0	1,335.6	34000
Hay	1936-37	0.2	1,890.2	1890.18	1908	36.0	1,915.0	37000
Hillcrest	1962-63	0.35	863.5	863.5	885	18.0	901.0	58000
Hog	1969-70	0.32	1,520.0	1520	1535	32.0	1,547.0	43000
Hook East	1968-69	0.18	1,197.5	1198	1210.9	37.0	1,215.0	22000
Hook West	1970-71	0.17	1,144.8	1145	1158.9	40.0	1,167.0	22000

#### FOOTNOTES

- (1) Lowest clear water outlet, not spillway.
- (2) Elevation of spillway notch.
- (3) Flow line of sluiceway.
- (4) Elevation of spillway into outlet channel. Elevation of overflow spillway 1,036.9 feet.
- (5) One 30-inch reinforced concrete pipe.
- (6) Four 36-inch corrugated metal pipes.
- (7) One 36-inch reinforced concrete pipe. (Elevated inlet)
- (8) Debris capacity available within right of way limits.
- (9) Pit-type basin.
- (10) Information unavailable.
- (11) Special cleanout required due to limited storage.
- (12) Cleanout required when debris reaches or exceeds elevation 1128.9 feet against face of dam.
- (13) Values are combined with Cooks debris basin.
- (14) Spillway level storage capacity.
- (15) Data taken from design drawings.
- (16) 7 feet in diameter circular outlet type.
- (17) The maximum capacities have been rounded off with regard to appropriate precision consistent with the assumptions used in the development of Hydrology and Sedimentation Manual.
- (18) New maximum capacity based on "As-Built" topographic map number 78B-T56.

## E R O S I O N   C O N T R O L

### DEBRIS BASIN - DESIGN DATA:

Including 1998-1999 Storm Season  
(Sedimentation Management Unit)

Debris Basin	First Debris Season	Un-controlled Drainage Area Above Basin (Sq. Mi.)	Bottom Elev. at Max Cap. (ft)	Elevation Port Invert (ft)	Elevation Spillway Crest (ft)	Width Spillway	Elevation Crest of Dam	Maximum Debris Capacity (Cu. Yds)
Inverness	1982-83	0.03	1,253.0	1252.9	1256.7	20.0	1,261.0	3300
Irving Drive	1974-75	0.03	905.8	905	915.3	12.0	920.0	1200
Kinneloa	1964-65	0.2	1,370.0	1370	1403.4	76.0	1,407.9	36000
Kinneloa - West	1966-67	0.19	1,385.0	1385	1412.7	22.0	1,421.0	35000
Lannan	1954-55	0.25	1,017.2	1015	1035.8	14.0	1,043.0	41000
La Tuna	1955-56	5.34	1,109.0	1110	1140	75.0	1,157.0	495000
Las Flores	1935-36	0.45	1,685.1	-9	1715.6	50.0	1,726.4	56000
Las Lomas	1983-84	0.07	887.0	887	906	77.0	908.5	17000
Limekiln	1963-64	3.72	992.0	992	1003	77.0	1,019.0	172000
Lincoln	1935-36	0.5	1,275.8	1276	1304	56.0	1,322.5	38000
Linda Vista	1970-71	0.37	979.5	979.5	989.8	40.0	995.7	3200
Little Dalton	1959-60	3.31	1,140.0	1139.5	1186	84.0	1,200.2	661000
Maddock	1954-55	0.26	888.6	891.8	901	36.0	904.0	45000
Marston/Paragon	1988-89	0.2	1,455.6	1455.6	1460	20.0	1466.0	6100
May No. 1	1953-54	0.7	1,666.0	1666	1684	60.0	1,692.5	64000
May No. 2	1953-54	0.09	1,663.4	1663.5 (2)	1669.5	20.0	1,674.0	13000
Monument	1981-82	0.11	943.8	942.3	950	12.0	954.0	7000
Morgan	1964-65	0.6	1,137.9	1137.9	1162.08	45.0	1,171.5	79000
Mountbatten	1983-84	0.01	1,136.2	1135.5	1140.9	20.0	1,141.0	1400
Mull	1973-74	0.15	1,146.9	1147	1154	20.0	1,165.0	13000
Mullally (11)	1974-75	0.34	2,420.0	2420	2435.4	42.0	2,439.6	9400
Nichols	1937-38	0.94	480.5	481	485.1	50.0	495.0	14000
Oak	1975-76	0.05	2,143.8	2145.7	2151.8	50.0	2,156.2	11000
Oakglade	1974-75	0.06	1,274.6	1280	1290	20.0	1,296.0	7300
Oakmont View	1984-85	0.02	1,315.5	1315.5	1327.5	20.0	1,328.5	3400

#### FOOTNOTES

- (1) Lowest clear water outlet, not spillway.
- (2) Elevation of spillway notch.
- (3) Flow line of sluiceway.
- (4) Elevation of spillway into outlet channel. Elevation of overflow spillway 1,036.9 feet.
- (5) One 30-inch reinforced concrete pipe.
- (6) Four 36-inch corrugated metal pipes.
- (7) One 36-inch reinforced concrete pipe. (Elevated inlet)
- (8) Debris capacity available within right of way limits.
- (9) Pit-type basin.
- (10) Information unavailable.
- (11) Special cleanout required due to limited storage.
- (12) Cleanout required when debris reaches or exceeds elevation 1128.9 feet against face of dam.
- (13) Values are combined with Cooks debris basin.
- (14) Spillway level storage capacity.
- (15) Data taken from design drawings.
- (16) 7 feet in diameter circular outlet type.
- (17) The maximum capacities have been rounded off with regard to appropriate precision consistent with the assumptions used in the development of Hydrology and Sedimentation Manual.
- (18) New maximum capacity based on "As-Built" topographic map number 78B-T56.

## E R O S I O N   C O N T R O L

### DEBRIS BASIN - DESIGN DATA:

Including 1998-1999 Storm Season  
(Sedimentation Management Unit)

Debris Basin	First Debris Season	Un-controlled Drainage Area Above Basin (Sq. Mi.)	Bottom Elev. at Max Cap. (ft)	Elevation Port Invert (ft)	Elevation Spillway Crest (ft)	Width Spillway	Elevation Crest of Dam	Maximum Debris Capacity (Cu. Yds)
Drive								
Oliver	1989-90	0.18	1,258.0	1258	1278.3	41.0	1,283.3	32000
Pickens	1935-36	1.5	1,563.6	1564	1600	123.0	1,613.0	125000
Pinelawn	1973-74	0.02	2,431.0	2430.5	2443	(7)	2,448.5	3200
Rowley	1953-54	0.21	1,703.6	1703.6	1714	60.0	1,722.0	43000
Rowley (Upper)	1976-77	0.31	1,926.0	1926	1946	42.0	1,951.3	29000
Rubio	1943-44	1.26	1,582.0	1582	1610.76	66.8	1,625.5	150000
Ruby (Lower)	1955-56	0.28	810.8	809.6	828	45.0	833.0	29000
Rye	1981-82	1.11	1,073.9	1073.8	1077.7	58.2	1,081.5	19000
Saddleback	1988-89	0.04	1,781.1	1779.3	1790.9	23.5	1,796.8	16000
Santa Anita	1959-60	1.7	748.5	748.5 (3)	774.7	160.0	796.0	395000
Sawpit	1954-55	2.84	930.3	930.3	982	110.0	1,000.0	636000
Scholl	1945-46	0.66	950.0	950 (2)	956	76.0	966.0	9300
Schoolhouse	1962-63	0.28	1,459.6	1460	1478.5	20.0	1,491.0	68000
Schwartz	1976-77	0.25	1,294.7	1294.7	1313.2	35.0	1,319.0	45000
Shields	1937-38	0.06	2,050.0	2050	2058.1	30.0	2,070.2	20000
Sierra Madre Dam (12)	1927-28	2.39	1,119.6	1119.5	1172.5	62.5	1,175.0	136000
Sierra Madre Villa	1957-58	1.46	1,069.2	1069.2	1088.9	48.0	1,102.5	402000
Snover	1936-37	0.21	1,862.8	1862.7	1879	40.0	1,893.7	25000
Sombrero	1969-70	1.06	1,539.6	1540	1564.8	45.0	1,580.0	88000
Spinks	1958-59	0.44	750.0	750	761.5	40.0	765.9	56000
Starfall	1973-74	0.13	2,428.0	2428	2441.5	30.0	2,446.5	15000
Stetson	1969-70	0.29	1,556.0	1555	1570	32.0	1,579.0	41000
Stough	1940-41	1.65	1,006.0	1005.8	1031.5 (4)	100.0	1,043.5	181000

#### FOOTNOTES

- (1) Lowest clear water outlet, not spillway.
- (2) Elevation of spillway notch.
- (3) Flow line of sluiceway.
- (4) Elevation of spillway into outlet channel. Elevation of overflow spillway 1,036.9 feet.
- (5) One 30-inch reinforced concrete pipe.
- (6) Four 36-inch corrugated metal pipes.
- (7) One 36-inch reinforced concrete pipe. (Elevated inlet)
- (8) Debris capacity available within right of way limits.
- (9) Pit-type basin.
- (10) Information unavailable.
- (11) Special cleanout required due to limited storage.
- (12) Cleanout required when debris reaches or exceeds elevation 1128.9 feet against face of dam.
- (13) Values are combined with Cooks debris basin.
- (14) Spillway level storage capacity.
- (15) Data taken from design drawings.
- (16) 7 feet in diameter circular outlet type.
- (17) The maximum capacities have been rounded off with regard to appropriate precision consistent with the assumptions used in the development of Hydrology and Sedimentation Manual.
- (18) New maximum capacity based on "As-Built" topographic map number 78B-T56.

## E R O S I O N   C O N T R O L

### DEBRIS BASIN - DESIGN DATA:

Including 1998-1999 Storm Season  
(Sedimentation Management Unit)

Debris Basin	First Debris Season	Un-controlled Drainage Area Above Basin (Sq. Mi.)	Bottom Elev. at Max Cap. (ft)	Elevation Port Invert (ft)	Elevation Spillway Crest (ft)	Width Spillway	Elevation Crest of Dam	Maximum Debris Capacity (Cu. Yds)
Sturtevant	1967-68	0.03	975.0	971	983.6	8.0	990.0	1400
Sullivan	1970-71	2.38	570.0	570	587	50.0	599.3	51000
Sunnyside	1970-71	0.02	1,290.0	1290	1299.5	15.0	1,303.8	3400
Sunset Canyon-Deer	1982-83	0.21	1,382.4	1380.5	1401.8	24.0	1,409.1	5000
Sunset (Lower)	1963-64	0.45	1,003.8	994.5	1040	40.0	1,056.0	159000
Sunset (Upper)	1928-29	0.44	1,574.2	1574	1603.7	75.0	1,610.1	16000
Turnbull	1952-53	0.99	476.1	475.6	492	40.0	503.0	22000
Upper Shields	1976-77	0.21	2,498.0	2498	2529.9	33.0	2,537.2	40000
Verdugo	1935-36	9.4	1,109.5	1110	1119.7	145.0	1,131.0	131000
Ward	1956-57	0.12	2,021.8	2022	2043	58.0	2,045.3	26000
West Ravine	1935-36	0.25	1,484.4	1469.6 (1)	1501.9	20.0	1,505.5	39000
Westridge	1974-75	0.02	894.0	894	901	10.7	906.0	1400 (14)
Wildwood	1967-68	0.65	1,342.9	1342.9	1354	50.0	1,360.0	21000
William S. Hart Park	1983-84	0.09	1,282.5	1280	1290	19.0	1,293.0	2400
Wilson	1962-63	2.58	1,493.0	1493	1526	60.0	1,543.0	313000
Winery	1968-69	0.18	1,920.0	1920	1935	20.0	1,945.0	29000
Zachau	1956-57	0.35	1,803.4	1803.1	1820.5	44.0	1,827.5	48000
<b>116 DEBRIS BASINS</b>		<b>75.87</b>						<b>7,798,100</b>

#### FOOTNOTES

- (1) Lowest clear water outlet, not spillway.
- (2) Elevation of spillway notch.
- (3) Flow line of sluiceway.
- (4) Elevation of spillway into outlet channel. Elevation of overflow spillway 1,036.9 feet.
- (5) One 30-inch reinforced concrete pipe.
- (6) Four 36-inch corrugated metal pipes.
- (7) One 36-inch reinforced concrete pipe. (Elevated inlet)
- (8) Debris capacity available within right of way limits.
- (9) Pit-type basin.
- (10) Information unavailable.
- (11) Special cleanout required due to limited storage.
- (12) Cleanout required when debris reaches or exceeds elevation 1128.9 feet against face of dam.
- (13) Values are combined with Cooks debris basin.
- (14) Spillway level storage capacity.
- (15) Data taken from design drawings.
- (16) 7 feet in diameter circular outlet type.
- (17) The maximum capacities have been rounded off with regard to appropriate precision consistent with the assumptions used in the development of Hydrology and Sedimentation Manual.
- (18) New maximum capacity based on "As-Built" topographic map number 78B-T56.

## WATER CONSERVATION

### WATER CONSERVATION

Information presented in this section includes amounts of local, imported, and reclaimed water conserved in spreading areas and information on the seawater barrier projects which prevent salt water intrusion into groundwater zones in the coastal areas. Pertinent data is presented regarding the locations and descriptions of the Department's water conservation facilities, as well as facilities owned by others. Additional data not presented in this report or its appendices can be obtained by contacting the [custodian](#) of hydrologic records.

### CONSERVING THE WATERS

In addition to the flood control program, the Department has the equally important mission of conserving as much of the storm and other waters as practicable. The use of water conservation facilities adjacent to river channels and in soft-bottom channels permits water to percolate into groundwater basins for later pumping. These water spreading facilities are located in areas where the underlying soils are composed of permeable formations and in hydraulic connection with the underlying aquifer.

The various types of water conserved, local, imported, and reclaimed are construed to have the following meanings in this section: Local water is primarily runoff due to rainfall on the mountain and valley watersheds, dam releases, and rising water within the County. Imported water is water originating outside the County either from Northern California or from the Colorado River. Reclaimed water is the effluent produced by the Whittier Narrows Water Reclamation Plant, the San Jose Creek Water Reclamation Plant, and the Pomona Water Reclamation Plant, all operated by the Los Angeles County Sanitation District.

The importance of this activity is apparent when it is realized that about 30 to 40 percent of the water used in the County is pumped from groundwater supplies. The growth of the County, combined with periodic droughts, has seriously depleted these supplies on numerous occasions.

The Department's policy is to conserve the maximum possible amount of storm water consistent with runoff quantity and quality, capacities of the spreading facilities, and groundwater conditions.

### IMPORTED WATER

During the reporting period, the Department received water imported from the Colorado River and the State Water Project by the Metropolitan Water District (MWD) and spread it in the Coastal Plain at the Department's Rio Hondo and San Gabriel Coastal Spreading Grounds on behalf of the Water Replenishment District of Southern California. MDW water is also spread in the main basin, upper San Gabriel Canyon Basin, and Glendora Basin.

The Department spreads imported water from MWD and the San Gabriel Valley Municipal Water District (SGVMWD) in the San Gabriel Valley on behalf of the San Gabriel Valley Municipal Water District, Upper San Gabriel Valley Municipal Water District, and the Three Valleys Municipal Water District in the following facilities:

- San Gabriel Canyon Spreading Grounds
- Santa Fe Spreading Grounds
- San Gabriel River
- Little Dalton Spreading Grounds
- Forbes Spreading Grounds
- Irwindale Spreading Basin/Manning Pit
- Citrus
- Ben Lomond
- Valley Rubber Dam

## WATER CONSERVATION

### RECYCLED WATER

The County Sanitation District's Whittier Narrows Water Reclamation Plant effluent purchased by the Water Replenishment District of Southern California is transported to the Rio Hondo and San Gabriel Coastal Basin Spreading Grounds for groundwater replenishment.

The County Sanitation District's San Jose Creek Water Reclamation Plant made its first delivery of effluent in November 1972. The effluent released into San Jose Creek, San Gabriel River, or directly delivered to San Gabriel Coastal Spreading Ground via pipeline can be purchased by the Water Replenishment District of Southern California.

Water from the Pomona Reclamation Plant is released down the San Jose Creek - San Gabriel River System to the Department's recharge facilities in the Central Basin spreading grounds.

The maximum amount of reclaimed water allowed for spreading in the Montebello Forebay, effective July 1991, is 60,000 acre-feet per year but not to exceed 150,000 acre-feet over a three-year period.

### SEAWATER BARRIER PROJECTS

The Department operates three barrier projects to protect the groundwater in the West Coast and Central Basins against seawater intrusion by creating freshwater pressure ridges along the coastline. The pressure ridges are created by injecting freshwater through a series of injection wells. The amounts of water injected by these wells during the reporting period are as follows:

Facility	Imported Water (Acre-Feet)	Recycled Water (Acre-Feet)
Alamitos Barrier Project:		
Los Angeles Portion	3,848	0
Orange County Portion *	1,703	0
Dominguez Gap Barrier Project	5,885	0
West Coast Basin Barrier Project	11,372	6,241

*\*Injected on behalf of the Orange County Water District*

### SEASONAL DATA AND MAPS

During the reporting period, weekly, monthly, and semi-annual measurements of groundwater levels in observation wells located throughout the groundwater basins in Los Angeles County were made and processed.

Locations of the key wells noted herein are shown on the well map in the Water Conservation summary section. Historical key well level data can be downloaded as [ASCII](#) file or from the pull down selection in the Water Conservation summary section.

Static groundwater elevation contour maps for the three major groundwater regions in Los Angeles County are available from the local basin water agencies:

Groundwater Basin	Contact
Upper Los Angeles River Area (San Fernando Valley)	Upper Los Angeles River Watermaster P.O. Box 111, Room 1455 Los Angeles, CA 90051 (213) 367-1020 (213) 367-1131 (FAX)



**WATER CONSERVATION**

San Gabriel Valley	Main San Gabriel Basin Watermaster 729 North Azusa Avenue Azusa, CA 91702 (626) 815-1300 (626) 815-1303 (FAX)
Coastal Plain	Water Replenishment District of Southern California 12621 East 166th Street Cerritos, CA 90703 (562) 921-5521 (562) 921-6101 (FAX)

**GROUNDWATER BASINS AND GROUNDWATER RECHARGE**

Groundwater in Los Angeles County is stored in basins underlying five major geographic areas. These groundwater basins are separated by geologic features, which impede groundwater movement, or by political boundaries. A map of these groundwater basins and the Department's spreading grounds is available upon request from the Department. General spreading ground facility information is included in the summary section. Monthly water conservation data for the reporting period at the Department's facilities and other pertinent facilities are included in the Water Conservation Summary section of this report. The monthly imported and recycled water deliveries for the reporting period are also included in the Water Conservation summary section. The following is a background summary of the Department's groundwater recharge activities within each of these major areas:

**COUNTY-WIDE**

The Department operates 2,436 acres of spreading grounds and soft-bottom channel spreading areas for replenishment of local groundwater supplies. The Department also assisted in the operation and maintenance of 269 acres of spreading grounds owned by others. An additional 656 acres of spreading grounds are controlled maintained and operated by other agencies. The total gross acreage of spreading grounds in Los Angeles County is 3,361 acres.

Groundwater replenishment consists of storm runoff, imported water, and recycled water. County-wide, the Department spread the following amounts during the reporting period:

County Rainfall Index (% of Normal)	53 *
Storm Runoff (acre-feet)	95,166
Imported Water (acre-feet)	28,588
Recycled Water (acre-feet)	48,233

The Department is continuing its efforts to improve its water spreading facilities in order to maximize the amount of water conserved and to simplify the spreading operations.

<b>WATER CONSERVATION</b>
---------------------------

**SAN GABRIEL VALLEY**

The Department operates 20 spreading facilities in the San Gabriel Valley that receive direct valley runoff and flows from the San Gabriel Mountains. Some of these facilities can also receive imported water. Valley-wide, the Department spread the following amounts during the reporting period:

Storm Runoff (acre-feet)	42,585
Imported Water (acre-feet)	28,587
Diversions to Grounds Owned by Others (acre-feet)	7,691

The Department's spreading grounds replenished the Valley's several groundwater basins as follows:

	<b>Storm Water (acre-feet)</b>	<b>Imported Water (acre-feet)</b>	<b>Key Wells</b>
Main San Gabriel Basin	29,341	20,351	3030F, 2965C
Upper San Gabriel Canyon Basin	16,353	3,944	4284A
Lower San Gabriel Canyon Basin	909	0	4285
Wayhill Basin	9	834	
Foothill Basin	1,292	0	
Glendora Basin	468	3,458	
Claremont Heights Basin	0	0	4508A, 4508B
Live Oak Basin	0	0	
Chino Basin	0	0	
San Dimas Basin	48	0	
Pomona Basin	0	0	3251E, 3261P, 4469A
Puente and Spadra Basins	0	0	
Raymond Basin	1,856	0	4057H

## WATER CONSERVATION

### COASTAL PLAIN

The groundwater basins underlying the Coastal Plain are divided by geological features into the Central (includes the Montebello and Los Angeles Forebays), West Coast, Santa Monica, and Hollywood Basins. Most of the water is spread in the Montebello Forebay. The Department spread the following amounts in the Coastal Plain during the reporting period:

Storm Runoff (acre-feet)	30,229
Imported Water (acre-feet)	0
Recycled Water (acre-feet)	48,233

The Central Basin has the most storage capacity of the basins in the Coastal Plain. In addition to the water recharged in the Department's spreading facilities, water injected in the Alamitos Barrier Project also contributes to the replenishment of the pressure aquifers underlying the Central Basin. The basin contains Key Well Nos. 460K, 1601T, and 906D.

### West Coast Basin

The West Coast basin is the second largest basin underlying the Coastal Plain and is separated by the Newport-Inglewood Fault zone. Groundwater is primarily recharged by Central Basin subsurface flows and by water injected by the Department in the West Coast Basin and Dominguez Gap Barrier Projects. Groundwater elevations in the West Coast basin are below sea level except in the area of the West Coast Basin Barrier injection mound. The basin contains Key Well Nos. 1346D and 760C.

### Santa Monica and Hollywood Basins

The Department has no spreading facilities in either of these basins.

<b>WATER CONSERVATION</b>
---------------------------

**SAN FERNANDO VALLEY**

The San Fernando Valley is also known as the Upper Los Angeles River Area (ULARA). Most of the runoff from the surrounding mountains flows to the Valley. The Valley comprises of four basins:

**San Fernando Main Basin**

The basin is the largest basin underlying the San Fernando Valley. The basin contains Key Well Nos. 3872H and 4709. The Department spread the following during the reporting period:

Storm Runoff (acre-feet)	14,662
Imported Water (acre-feet)	0
Recycled Water (acre-feet)	0

**Sylmar , Verdugo, and Eagle Rock Basins**

The Department has no spreading facilities in these much smaller basins.

**SANTA CLARITA VALLEY**

The Department has no spreading facilities in the area. Much of the Valley is open space, permitting substantial natural percolation.

The Upper Santa Clarita subunit comprises five basins.

**ANTELOPE VALLEY**

There are several groundwater subbasins underlying the Antelope Valley. Five of them are located within Los Angeles County.

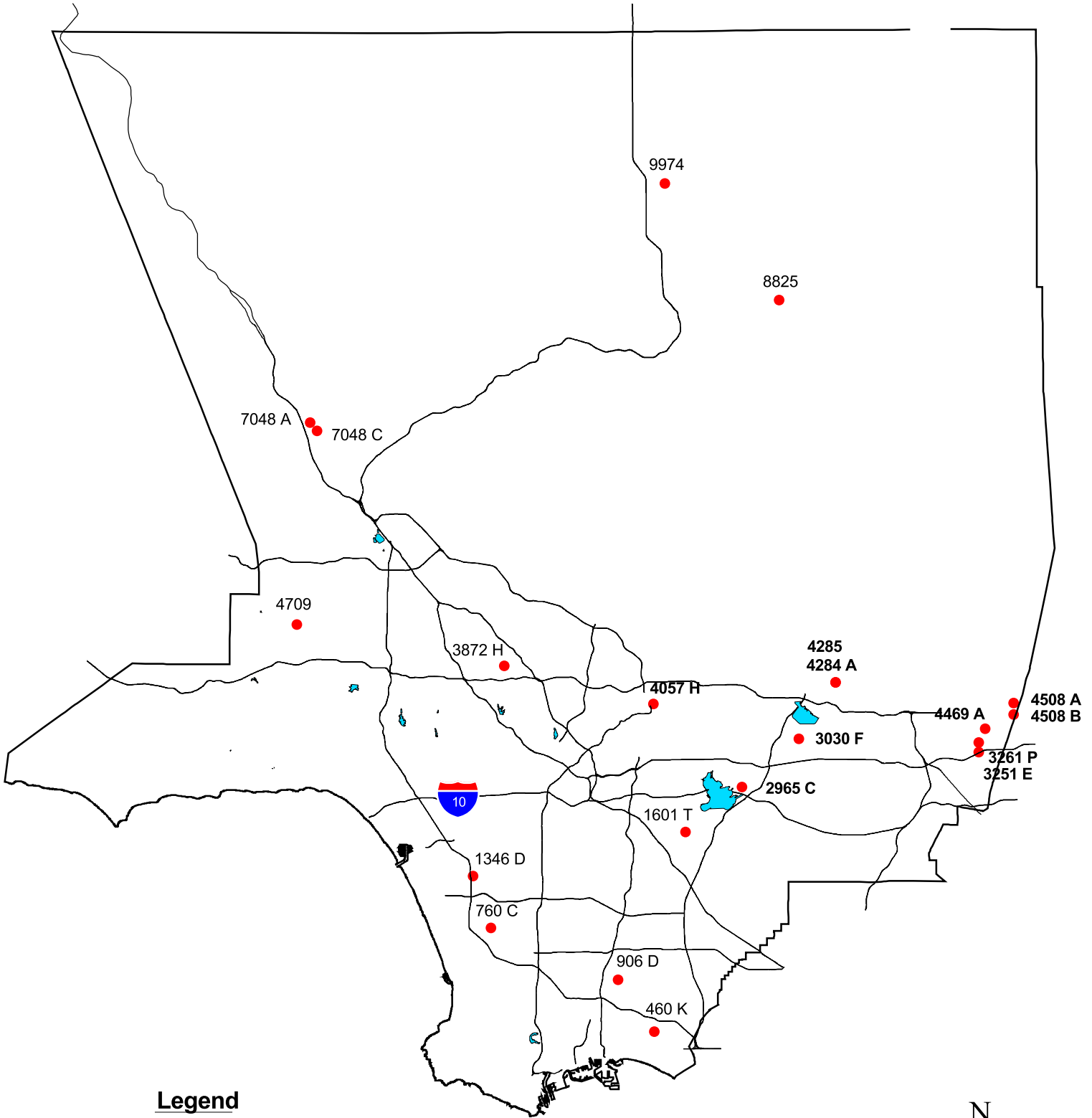
The Department operates no spreading facilities in the Antelope Valley.

Key Well Nos. 9974 and 8825 are located in the Lancaster and Little Rock subbasins, respectively.

<b>WATER CONSERVATION</b>
---------------------------

**S U M M A R Y****SPREADING FACILITIES OWNED AND OPERATED BY THE DEPARTMENT**[Appendix G](#)**NON DPW FACILITIES**[Appendix H](#)**TOTAL MONTHLY WATER CONSERVED**[Appendix I](#)**IMPORTED WATER OUTLET RELEASES**[Appendix J](#)**RECLAIMED WATER**[Appendix K](#)**GROUND WATER FLUCTUATION**[Appendix L](#)

Location	Appendix L
Coastal Plain, City of Long Beach	<a href="#">Appendix L – 1</a>
Coastal Plain	<a href="#">Appendix L – 2</a>
Coastal Plain, City of Long Beach	<a href="#">Appendix L – 3</a>
Central Basin	<a href="#">Appendix L – 4</a>
Main San Gabriel Basin	<a href="#">Appendix L – 5</a>
Main San Gabriel Basin, Baldwin Park	<a href="#">Appendix L – 6</a>
Pomona Basin	<a href="#">Appendix L – 7</a>
San Fernando Valley, Canoga Park	<a href="#">Appendix L – 8</a>
San Fernando Valley, Burbank	<a href="#">Appendix L – 9</a>
Raymond Basin	<a href="#">Appendix L – 10</a>
San Gabriel Canyon Basin, North of Azusa	<a href="#">Appendix L – 11</a>
Upper Claremont Heights	<a href="#">Appendix L – 12</a>
Santa Clarita Valley, Near Castaic Junction	<a href="#">Appendix L – 13</a>
Little Rock, South of Palmdale	<a href="#">Appendix L – 14</a>
Antelope Valley, South of Lancaster	<a href="#">Appendix L – 15</a>



**Legend**

● Keywell Location



Not to scale

# **APPENDIX A**

**HYDROLOGIC REPORT 1998 – 1999**

**PRECIPITATION – DAILY RAINFALL SUMMARY**

**PRECIPITATION**

**DAILY RAINFALL SUMMARY**

**5B Calabasas**

Gage Type: Standard 8 inch diameter (DPW)

Observation Time: 800

Latitude 34-09-24

Longitude: 118-38-14

Elevation: 924 Feet

Water Year from 10/01/1998 to 09/30/1999

Day	Oct	Nov	Dec	Jan	Feb	Mar	Apr	May	Jun	Jul	Aug	Sep
1			0.26				0.15					
2	T								0.22			
3												
4			0.23		0.20							
5												
6			0.17		0.02		0.48					
7					0.02		0.40					
8		0.54										
9					0.42	0.04						
10												
11		0.17				0.06	0.43					
12							1.10					
13												
14												
15						0.82						
16												
17												
18												
19												
20				0.09		0.42						
21												0.17
22												
23												
24							0.15					
25				0.45		0.91						
26				0.45		0.02						
27												
28		0.89										
29												
30												
31				0.58								
Totals	0.00	1.60	0.66	1.57	0.66	2.27	2.71	0.00	0.22	0.00	0.00	0.17
												Water Year Total: 9.86

NOTE: All Values are in units of inches, unless otherwise specified.

LEGEND: A - Acculated Total  
 E - Estimated  
 T - Trace, unmeasurable amount of rain

Data Revised: March 2011



**PRECIPITATION**

**DAILY RAINFALL SUMMARY**

**6 Topanga Patrol Station**

Gage Type: Daily Automatic (DPW)

Observation Time: 2400

Latitude 34-05-03

Longitude: 118-35-57

Elevation: 745 Feet

Water Year from 10/01/1998 to 09/30/1999

Day	Oct	Nov	Dec	Jan	Feb	Mar	Apr	May	Jun	Jul	Aug	Sep
1			0.32				0.12					
2			0.04						0.48			
3			0.04						0.04			
4		0.16	0.08		0.16							
5		0.04			0.04							
6			0.24				1.16					
7		0.04			0.04		0.48					
8		1.00					0.16					
9		1.12			1.12	0.08						
10												
11		0.12				0.04	1.60			0.04		
12							0.04					
13												
14												
15						1.00						
16						0.04						
17												
18												
19				0.04								
20				0.04		0.36						
21												
22												
23							0.04					
24												
25				0.28		1.12						
26				0.68								
27												
28		0.80										
29												
30												
31				0.56								
Totals	0.00	3.28	0.72	1.60	1.36	2.64	3.60	0.00	0.52	0.04	0.00	0.00
												Water Year Total: 13.76

NOTE: All Values are in units of inches, unless otherwise specified.

LEGEND: A - Acculated Total  
 E - Estimated  
 T - Trace, unmeasurable amount of rain

Data Revised: March 2011

**PRECIPITATION**

**DAILY RAINFALL SUMMARY**

**10A Bel Air Hotel**

Gage Type: Daily Automatic (DPW)

Observation Time: 2400

Latitude 34-05-11

Longitude: 118-26-45

Elevation: 540 Feet

Water Year from 10/01/1998 to 09/30/1999

Day	Oct	Nov	Dec	Jan	Feb	Mar	Apr	May	Jun	Jul	Aug	Sep
1			0.36				0.04					
2									0.75			
3									0.08			
4			0.04		0.15							
5					0.08							
6			0.19				0.71					
7							0.27					
8		0.91					0.08					
9					0.48	0.03						
10												
11		0.11					1.58			0.04		
12							0.04					
13												
14												
15						0.75						
16												
17												
18												
19				0.04								
20				0.08		0.32						
21												
22												
23												
24												
25				0.36		1.06						
26				0.66								
27												
28		0.71					0.12					
29												
30				0.08								
31				0.44								
Totals	0.00	1.73	0.59	1.66	0.71	2.16	2.84	0.00	0.83	0.04	0.00	0.00
										Water Year Total:		10.56

NOTE: All Values are in units of inches, unless otherwise specified.

LEGEND: A - Acculated Total  
 E - Estimated  
 T - Trace, unmeasurable amount of rain

Data Revised: March 2011

**PRECIPITATION**

**DAILY RAINFALL SUMMARY**

**11D Upper Franklin Canyon Reservoir**

Gage Type: Standard 8 inch diameter

Observation Time: 800

Latitude 34-07-10

Longitude: 118-24-35

Elevation: 867 Feet

Water Year from 10/01/1998 to 09/30/1999

Day	Oct	Nov	Dec	Jan	Feb	Mar	Apr	May	Jun	Jul	Aug	Sep
1							0.98	0.02				
2	T		0.30				0.02		0.69			
3							0.02		0.15			
4			0.02						0.06			
5			0.02		0.12							
6			0.21		0.08		0.26					
7							1.18					
8		0.57					0.31					
9					0.05		0.08					
10					0.63	0.07						
11		0.14				T						
12										0.08		
13												
14												
15						0.01						
16						0.81						
17												
18												
19												
20				0.12		0.47						
21												
22								T				
23							T	T				
24							0.04					
25				0.46		0.16						
26				0.27		0.85						
27				0.42								
28		0.61										
29		0.41										
30	0.18							T				
31				0.58								
Totals	0.18	1.73	0.55	1.85	0.88	2.37	2.89	0.02	0.90	0.08	0.00	0.00
											Water Year Total:	11.45

NOTE: All Values are in units of inches, unless otherwise specified.

LEGEND: A - Acculated Total  
 E - Estimated  
 T - Trace, unmeasurable amount of rain

Data Revised: March 2011

**PRECIPITATION**

**DAILY RAINFALL SUMMARY**

**13C North Hollywood-Lakeside**

Gage Type: Standard 8 inch diameter (DPW)

Observation Time: 800

Latitude 34-08-46

Longitude: 118-21-13

Elevation: 550 Feet

Water Year from 10/01/1998 to 09/30/1999

Day	Oct	Nov	Dec	Jan	Feb	Mar	Apr	May	Jun	Jul	Aug	Sep
1												
2			0.25				0.10		0.70			
3									0.14			
4												
5			0.06		0.08				0.14			
6			0.18		0.12							
7							1.30					
8							0.20					
9							0.09					
10					0.55							
11												
12							1.21					
13							0.05					
14												
15												
16						0.72						
17												
18												
19												
20						0.22						
21						0.28						
22												
23												
24												
25				0.62								
26				0.11		0.94						
27				0.58								
28		0.97										
29		0.63										
30												
31				0.57								
Totals	0.00	1.60	0.49	1.88	0.75	2.16	2.95	0.00	0.98	0.00	0.00	0.00
												Water Year Total: 10.81

NOTE: All Values are in units of inches, unless otherwise specified.

LEGEND: A - Acculated Total  
 E - Estimated  
 T - Trace, unmeasurable amount of rain

Data Revised: March 2011

**PRECIPITATION**

**DAILY RAINFALL SUMMARY**

**17 Sepulveda Canyon At Mulholland**

Gage Type: Daily Automatic (DPW)

Observation Time: 2400

Latitude 34-07-51

Longitude: 118-29-26

Elevation: 1425 Feet

Water Year from 10/01/1998 to 09/30/1999

Day	Oct	Nov	Dec	Jan	Feb	Mar	Apr	May	Jun	Jul	Aug	Sep
1			0.15									
2									0.67			
3									0.16			
4			0.04		0.04							
5					0.04							
6			0.16				0.90					
7					0.04		0.71					
8		0.67			0.04		0.04					
9					0.67	0.04						
10												
11		0.12				0.04	1.77			0.48		
12							0.04					
13												
14												
15						1.02						
16												
17												
18												
19												
20				0.04		0.39						
21												
22												
23							0.04					
24												
25				0.35		1.15						
26				0.67								
27												
28		0.67					0.16					
29												
30												
31				0.83								
Totals	0.00	1.46	0.35	1.89	0.83	2.64	3.66	0.00	0.83	0.48	0.00	0.00
											Water Year Total:	12.14

NOTE: All Values are in units of inches, unless otherwise specified.

LEGEND: A - Acculated Total  
 E - Estimated  
 T - Trace, unmeasurable amount of rain

Data Revised: March 2011

**PRECIPITATION**

**DAILY RAINFALL SUMMARY**

**20B Girard Reservoir**

Gage Type: Standard 8 inch diameter (DPW)

Observation Time: 800

Latitude 34-09-07

Longitude: 118-36-36

Elevation: 986 Feet

Water Year from 10/01/1998 to 09/30/1999

Day	Oct	Nov	Dec	Jan	Feb	Mar	Apr	May	Jun	Jul	Aug	Sep
1												
2			0.30				0.14		0.24			
3			0.06						0.15			
4												
5					0.13							
6							0.54					
7					0.03		0.70					
8			0.32		0.02		0.03					
9		0.64			0.07	T						
10						T	0.05					
11		0.13				0.07	A					
12							1.48A					
13							0.07					
14												
15						0.85						
16						T						
17												
18												
19												
20				0.06		0.45						
21												
22												T
23												
24							0.23					
25				0.36		0.60						
26				0.37		0.36						
27				0.15								
28		1.00										
29		0.23										
30												
31				1.83		0.02						
Totals	0.00	2.00	0.68	2.77	0.25	2.35	3.24	0.00	0.39	0.00	0.00	0.00
												Water Year Total: 11.68

NOTE: All Values are in units of inches, unless otherwise specified.

LEGEND: A - Acculated Total  
 E - Estimated  
 T - Trace, unmeasurable amount of rain

Data Revised: March 2011

**PRECIPITATION**

**DAILY RAINFALL SUMMARY**

**21B Woodland Hills**

Gage Type: Standard 8 inch diameter (DPW)

Observation Time: 800

Latitude 34-10-14

Longitude: 118-35-33

Elevation: 875 Feet

Water Year from 10/01/1998 to 09/30/1999

Day	Oct	Nov	Dec	Jan	Feb	Mar	Apr	May	Jun	Jul	Aug	Sep
1			0.16				0.06					
2									0.21			
3			0.11						0.12			
4									0.02			
5					0.12							
6			0.17				0.60					
7					0.01		0.50					
8		0.58			0.03							
9					0.21	0.04						
10												
11		0.13				0.03	0.44					
12							0.93					
13												
14												
15						0.73						
16												
17												
18												
19												
20				0.12		0.36						
21												
22												
23												
24							0.17					
25				0.36		0.78						
26				0.27		0.03						
27				0.12								
28		0.69										
29												
30												
31				0.52								
Totals	0.00	1.40	0.44	1.39	0.37	1.97	2.70	0.00	0.35	0.00	0.00	0.00
												Water Year Total: 8.62

NOTE: All Values are in units of inches, unless otherwise specified.

LEGEND: A - Acculated Total  
 E - Estimated  
 T - Trace, unmeasurable amount of rain

Data Revised: March 2011

**PRECIPITATION**

**DAILY RAINFALL SUMMARY**

**23B Chatsworth Reservoir**

Gage Type: Standard 8 inch diameter

Observation Time: 800

Latitude 34-13-44

Longitude: 118-37-18

Elevation: 900 Feet

Water Year from 10/01/1998 to 09/30/1999

Day	Oct	Nov	Dec	Jan	Feb	Mar	Apr	May	Jun	Jul	Aug	Sep
1			0.19		0.34							
2							0.07		0.14			
3							0.05		0.13			
4			0.04						0.08			
5					0.24							
6			0.24		0.11		0.05					
7							0.84					
8		0.67			0.03		0.03					
9					0.21	T	T					
10					0.31	0.23						
11		0.12										
12						0.04	1.23					
13							0.05					
14												
15						0.62						
16						0.02						
17												
18												
19				0.04								
20				0.08		0.41						
21						0.04						0.02
22								0.04				
23								0.02				0.10
24							0.18					
25				0.39		0.09						
26				0.67		0.72						
27												
28												
29												
30		0.77										
31				0.64								
Totals	0.00	1.56	0.47	1.82	1.24	2.17	2.50	0.06	0.35	0.00	0.00	0.12
											Water Year Total:	10.29

NOTE: All Values are in units of inches, unless otherwise specified.

LEGEND: A - Acculated Total  
 E - Estimated  
 T - Trace, unmeasurable amount of rain

Data Revised: March 2011



**PRECIPITATION**

**DAILY RAINFALL SUMMARY**

**25C Northridge-L.A.D.W.P.**

Gage Type: Standard 8 inch diameter

Observation Time: 800

Latitude 34-13-52

Longitude: 118-32-28

Elevation: 810 Feet

Water Year from 10/01/1998 to 09/30/1999

Day	Oct	Nov	Dec	Jan	Feb	Mar	Apr	May	Jun	Jul	Aug	Sep
1			0.07		0.51							
2							0.01		0.13			
3	T						0.04		0.10			
4			0.03						0.02			
5					0.02							
6			0.17		0.04		0.06					
7							1.15					
8						T	0.08					
9					0.18	T	T					
10					0.31	0.22						
11												
12						0.04	1.07					
13							0.08					
14												
15						0.25						
16						0.33						
17												
18												
19												
20				0.23		0.33						
21						0.10						
22								0.02				0.01
23												
24						T	0.02					
25				0.59		0.07						
26				0.28		0.67						
27				0.19								
28		0.31										
29		0.16										
30	T											
31				0.09								
Totals	0.00	0.47	0.27	1.38	1.06	2.01	2.51	0.02	0.25	0.00	0.00	0.01
										Water Year Total:		7.98

NOTE: All Values are in units of inches, unless otherwise specified.

LEGEND: A - Acculated Total  
 E - Estimated  
 T - Trace, unmeasurable amount of rain

Data Revised: March 2011

**PRECIPITATION**

**DAILY RAINFALL SUMMARY**

**32C Newhall - Fire Station 73**

Gage Type: Standard recording gage (DPW)

Observation Time: 800

Latitude 34-23-07

Longitude: 118-31-54

Elevation: 1243 Feet

Water Year from 10/01/1998 to 09/30/1999

Day	Oct	Nov	Dec	Jan	Feb	Mar	Apr	May	Jun	Jul	Aug	Sep
1			0.22									
2												
3									0.52			
4												
5					0.12							
6			0.19				0.87					
7							0.28					
8		0.36					T					
9					0.43							
10		0.19										
11						0.55						
12							1.33					
13												
14												
15						0.72						
16												
17												
18												
19												
20						0.67						
21												T
22												
23							0.13					
24				0.44								
25	0.04					0.47						
26				1.15								
27												
28		0.68										
29												
30	0.12											
31				0.79								
Totals	0.16	1.23	0.41	2.38	0.55	2.41	2.61	0.00	0.52	0.00	0.00	0.00
												Water Year Total: 10.27

NOTE: All Values are in units of inches, unless otherwise specified.

LEGEND: A - Acculated Total  
 E - Estimated  
 T - Trace, unmeasurable amount of rain

Data Revised: March 2011

**PRECIPITATION**

**DAILY RAINFALL SUMMARY**

**33A Pacoima Dam**

Gage Type: Standard 8 inch diameter (DPW)

Observation Time: 800

Latitude 34-19-48

Longitude: 118-23-59

Elevation: 1500 Feet

Water Year from 10/01/1998 to 09/30/1999

Day	Oct	Nov	Dec	Jan	Feb	Mar	Apr	May	Jun	Jul	Aug	Sep
1					0.19							
2			0.23				0.02		0.51			
3							0.03		0.39			
4			0.09			0.02	T		0.19			
5			T		0.02							
6			0.12		0.01		0.12					
7							1.21					
8		0.46			0.01		0.09					
9		T			0.12	0.01	0.07					
10					0.56	0.23						
11		0.11				T						
12		T				0.08	0.91			0.07		
13							0.15					
14												
15						0.01						
16						0.61						
17												
18												
19			0.03									
20			0.05	0.24		0.32		0.01				
21				0.01		0.21						
22								0.05				
23								0.08				
24												
25				0.91		0.04						
26				0.41		0.45						
27				0.37								
28		0.45										
29		0.31										
30	0.10	T						0.01				
31				0.30								
Totals	0.10	1.33	0.52	2.24	0.91	1.98	2.60	0.15	1.09	0.07	0.00	0.00
												Water Year Total: 10.99

NOTE: All Values are in units of inches, unless otherwise specified.

LEGEND: A - Acculated Total  
 E - Estimated  
 T - Trace, unmeasurable amount of rain

Data Revised: March 2011

**PRECIPITATION**

**DAILY RAINFALL SUMMARY**

**42C Redondo Beach-City Hall**

Gage Type: Standard 8 inch diameter (DPW)

Observation Time: 800

Latitude 33-50-43

Longitude: 118-23-20

Elevation: 70 Feet

Water Year from 10/01/1998 to 09/30/1999

Day	Oct	Nov	Dec	Jan	Feb	Mar	Apr	May	Jun	Jul	Aug	Sep
1			0.35									
2			0.01						0.47E			
3			0.03	0.01					0.15E			
4			0.01		0.08							
5					0.06							
6			0.08				0.33					
7		0.02					0.10					
8		0.48			0.04		0.17					
9					0.18	0.25						
10												
11		0.08				0.18	1.18					
12												
13												
14				0.01								
15						0.56						
16						0.05						
17												
18												
19			0.04	0.02								
20			0.03	0.17		0.50						
21				0.01								
22												
23												
24				0.01								
25				0.41		0.67						
26				0.55								
27		0.01										
28		0.53										
29												
30												
31				0.28								
Totals	0.00	1.12	0.55	1.47	0.36	2.21	1.78	0.00	0.62	0.00	0.00	0.00
												Water Year Total: 8.11

NOTE: All Values are in units of inches, unless otherwise specified.

LEGEND: A - Acculated Total  
 E - Estimated  
 T - Trace, unmeasurable amount of rain

Data Revised: March 2011

**PRECIPITATION**

**DAILY RAINFALL SUMMARY**

**43D Palos Verdes Estates**

Gage Type: Standard 8 inch diameter (DPW)

Observation Time: 800

Latitude 33-47-58

Longitude: 118-23-29

Elevation: 216 Feet

Water Year from 10/01/1998 to 09/30/1999

Day	Oct	Nov	Dec	Jan	Feb	Mar	Apr	May	Jun	Jul	Aug	Sep
1												
2			0.36						0.46			
3									0.29			
4												
5					0.21							
6			0.12				0.41					
7							0.06					
8		0.46										
9					0.16	0.08	0.08					
10					0.05							
11		0.05				0.22						
12							1.12					
13												
14												
15						0.80						
16						0.06						
17												
18												
19												
20			0.09	0.11		0.63						
21												
22												
23												
24												
25				0.39		0.68						
26												
27				0.38								
28		0.49										
29												
30												
31				0.28								
Totals	0.00	1.00	0.57	1.16	0.42	2.47	1.67	0.00	0.75	0.00	0.00	0.00
												Water Year Total: 8.04

NOTE: All Values are in units of inches, unless otherwise specified.

LEGEND: A - Acculated Total  
 E - Estimated  
 T - Trace, unmeasurable amount of rain

Data Revised: March 2011

**PRECIPITATION**

**DAILY RAINFALL SUMMARY**

**44A Point Vicente Lighthouse**

Gage Type: Daily Automatic (DPW)

Observation Time: 2400

Latitude 33-44-30

Longitude: 118-24-38

Elevation: 125 Feet

Water Year from 10/01/1998 to 09/30/1999

Day	Oct	Nov	Dec	Jan	Feb	Mar	Apr	May	Jun	Jul	Aug	Sep
1			0.51									
2									0.47			
3			0.04						0.08			
4												
5					0.04							
6			0.04				0.36					
7							0.07					
8		0.36			0.04		0.04					
9					0.12	0.08						
10		0.90										
11						0.27	0.79					
12							0.04					
13												
14												
15						0.44						
16						0.08						
17												
18												
19			0.04									
20				0.12		0.51						
21												
22												
23												
24												
25				0.35		0.43						
26				0.24								
27												
28		0.36										
29												
30												
31				0.15								
Totals	0.00	1.62	0.63	0.86	0.20	1.81	1.30	0.00	0.55	0.00	0.00	0.00
												Water Year Total: 6.97

NOTE: All Values are in units of inches, unless otherwise specified.

LEGEND: A - Acculated Total  
 E - Estimated  
 T - Trace, unmeasurable amount of rain

Data Revised: March 2011

**PRECIPITATION**

**DAILY RAINFALL SUMMARY**

**46D Big Tujunga Dam**

Gage Type: Standard 8 inch diameter (DPW)

Observation Time: 800

Latitude 34-17-40

Longitude: 118-11-14

Elevation: 2315 Feet

Water Year from 10/01/1998 to 09/30/1999

Day	Oct	Nov	Dec	Jan	Feb	Mar	Apr	May	Jun	Jul	Aug	Sep
1			0.04		0.04		T	T				
2							0.13		0.96E			
3			0.04				0.03		0.12E			E
4						0.04E			0.04E			
5					0.08							E
6			0.12				0.10					
7							1.37					
8							0.19					
9					1.20E	0.04E	0.22					
10												
11		1.62				0.04E						
12		0.10					0.70			0.55		
13		0.07					0.27					
14		0.24										
15						0.80E						
16		0.03										
17												
18												
19												
20				0.09		0.24E						
21				0.03								
22												
23								0.20				
24							0.06					
25				0.90		0.32E						
26		0.02		0.45		0.04E						
27		1.45		0.85								E
28												
29												
30												
31				0.82								
Totals	0.00	3.53	0.20	3.14	1.32	1.52	3.07	0.20	1.12	0.55	0.00	0.00
												Water Year Total: 14.65

NOTE: All Values are in units of inches, unless otherwise specified.

LEGEND: A - Acculated Total  
 E - Estimated  
 T - Trace, unmeasurable amount of rain

Data Revised: March 2011

**PRECIPITATION**

**DAILY RAINFALL SUMMARY**

**47D Clear Creek-City School**

Gage Type: Daily Automatic (DPW)

Observation Time: 2400

Latitude 34-16-38

Longitude: 118-10-12

Elevation: 3150 Feet

Water Year from 10/01/1998 to 09/30/1999

Day	Oct	Nov	Dec	Jan	Feb	Mar	Apr	May	Jun	Jul	Aug	Sep
1			0.08									
2							0.19		1.26			
3			0.16						0.20			
4						0.07			0.04			
5					0.12							
6			0.15				1.50					
7							0.55					
8		0.47					0.24					
9					1.89	0.08	0.08					
10												
11		0.28				0.08	0.11					
12							0.83					
13												
14												
15						0.59						
16						0.20						
17						0.08						
18												
19				0.04								
20			0.04	0.12		0.23						
21						0.04						
22												
23		0.20					0.04	0.20				
24												
25	0.04			1.03		0.32						
26				0.59		0.04						
27				0.98								
28		1.53										
29												
30												
31				0.75		0.04						
Totals	0.04	2.48	0.43	3.51	2.01	1.77	3.54	0.20	1.50	0.00	0.00	0.00
											Water Year Total:	15.48

NOTE: All Values are in units of inches, unless otherwise specified.

LEGEND: A - Acculated Total  
 E - Estimated  
 T - Trace, unmeasurable amount of rain

Data Revised: March 2011



**PRECIPITATION**

**DAILY RAINFALL SUMMARY**

**54C Loomis Ranch-Alder Creek**

Gage Type: Daily Automatic (DPW)

Observation Time: 2400

Latitude 34-20-55

Longitude: 118-02-54

Elevation: 4325 Feet

Water Year from 10/01/1998 to 09/30/1999

Day	Oct	Nov	Dec	Jan	Feb	Mar	Apr	May	Jun	Jul	Aug	Sep
1			0.08									
2							0.08		0.91			
3									0.04			
4			0.04				0.04					
5					0.08							
6			0.08				0.24					
7							0.86					
8		0.63										
9					0.55	0.04	0.08					
10												
11		0.47					0.48			1.41		
12							0.59					
13												
14												
15						0.12						
16						0.43						
17												
18												
19												
20				0.12		0.12						
21												
22												
23		0.23						0.23				
24	0.04			0.04								
25				0.67		0.43						
26												
27		0.28		0.67				0.28				
28		1.10										
29												
30							0.04					
31				0.23				0.16				
Totals	0.04	2.71	0.20	1.73	0.63	1.14	2.41	0.67	0.95	1.41	0.00	0.00
											Water Year Total:	11.89

NOTE: All Values are in units of inches, unless otherwise specified.

LEGEND: A - Acculated Total  
 E - Estimated  
 T - Trace, unmeasurable amount of rain

Data Revised: March 2011

**PRECIPITATION**

**DAILY RAINFALL SUMMARY**

**63C Santa Anita Dam**

Gage Type: Daily Automatic (DPW)

Observation Time: 2400

Latitude 34-11-03

Longitude: 118-01-12

Elevation: 1400 Feet

Water Year from 10/01/1998 to 09/30/1999

Day	Oct	Nov	Dec	Jan	Feb	Mar	Apr	May	Jun	Jul	Aug	Sep
1					0.20		T	0.06				
2			0.07				0.13		0.88			
3							T		0.41			
4			0.11			0.14			0.03			
5			0.04		0.42	0.02						
6			0.16		0.10		0.05					
7							1.95					
8		0.65					0.35					
9					0.06		0.15	T		0.03		
10					1.21	0.02						
11		0.09										
12		0.07				0.05	1.12			T		
13							0.09					
14								0.01				
15						0.10		T				
16						0.69						
17												
18												
19			0.09		0.01							
20			0.08	0.24		0.05						
21				0.12		0.19						
22								0.18				
23							0.14	0.17				
24							0.01					
25				0.59		T	0.07					
26				0.24		0.31						
27				0.78								
28		0.62										
29		0.64					0.25	T				
30							0.02					
31				0.24								
Totals	0.00	2.07	0.55	2.21	2.00	1.57	4.33	0.42	1.32	0.03	0.00	0.00
												Water Year Total: 14.50

NOTE: All Values are in units of inches, unless otherwise specified.

LEGEND: A - Acculated Total  
 E - Estimated  
 T - Trace, unmeasurable amount of rain

Data Revised: March 2011

**PRECIPITATION**

**DAILY RAINFALL SUMMARY**

**67G Monrovia-Mountain Avenue**

Gage Type: Standard 8 inch diameter (DPW)

Observation Time: 800

Latitude 34-08-46

Longitude: 117-59-05

Elevation: 602 Feet

Water Year from 10/01/1998 to 09/30/1999

Day	Oct	Nov	Dec	Jan	Feb	Mar	Apr	May	Jun	Jul	Aug	Sep
1					0.03			0.04				
2			0.09				0.15		0.85			
3									0.22			
4			0.05			0.15						
5			0.02		0.24							
6					0.03							
7							1.33					
8		0.56					0.16					
9					0.05		0.13					
10					0.60	0.03	0.89					
11		0.07										
12		0.04								0.10		
13												
14												
15						0.54						
16						0.19						
17												
18												
19												
20			0.23	0.17		0.20						
21												
22								0.17				
23							0.06	0.05				
24												
25				0.43		0.02						
26				0.23		0.29						
27				0.75								
28		0.60										
29		0.18					0.05					
30							0.02					
31				0.36								
Totals	0.00	1.45	0.39	1.94	0.95	1.42	2.79	0.26	1.07	0.10	0.00	0.00
											Water Year Total:	10.37

NOTE: All Values are in units of inches, unless otherwise specified.

LEGEND: A - Acculated Total  
 E - Estimated  
 T - Trace, unmeasurable amount of rain

Data Revised: March 2011

**PRECIPITATION**

**DAILY RAINFALL SUMMARY**

**68C Sawpit Dam**

Gage Type: Standard 8 inch diameter (DPW)

Observation Time: 800

Latitude 34-10-30

Longitude: 117-59-07

Elevation: 1375 Feet

Water Year from 10/01/1998 to 09/30/1999

Day	Oct	Nov	Dec	Jan	Feb	Mar	Apr	May	Jun	Jul	Aug	Sep
1					0.21			0.04				
2			0.10				0.15		0.90			
3							0.04					
4			0.09			0.38						
5			0.06		0.47	T						
6			0.15		0.16		0.04					
7					T		1.30					
8		0.70				T	0.22	0.04				
9					0.08	T	0.15	0.04				
10					1.27	0.05						
11		0.10										
12		0.06				T	1.30			0.02		
13							0.14					
14							T	0.02				
15						0.10		0.02				
16						0.68		T				
17												
18												
19			0.10									
20			0.13	0.25		0.04		0.02				
21				0.09		0.14		0.17				
22							T	0.07				
23							0.17					
24							0.05					
25	T			0.65		0.04	0.09					
26				0.27		0.36						
27				0.74								
28		0.58										
29		0.37					0.42					
30							0.05					
31				0.22								
Totals	0.00	1.81	0.63	2.22	2.19	1.79	4.12	0.42	0.90	0.02	0.00	0.00
											Water Year Total:	14.10

NOTE: All Values are in units of inches, unless otherwise specified.

LEGEND: A - Acculated Total  
 E - Estimated  
 T - Trace, unmeasurable amount of rain

Data Revised: March 2011

**PRECIPITATION**

**DAILY RAINFALL SUMMARY**

**82F Table Mountain**

Gage Type: Standard 8 inch diameter (DPW)

Observation Time: 800

Latitude 34-22-56

Longitude: 117-40-39

Elevation: 7420 Feet

Water Year from 10/01/1998 to 09/30/1999

Day	Oct	Nov	Dec	Jan	Feb	Mar	Apr	May	Jun	Jul	Aug	Sep
1							0.20		0.20			
2												
3							0.10					
4			0.30									
5					0.50							
6							0.20					
7												
8		0.15E										
9					0.65							
10							0.10					
11		0.53E					0.40					
12		0.06E					0.80					
13		0.15E										
14												
15												
16						0.80						
17												
18												
19												
20			0.15	T								0.05
21												
22												
23							0.20					
24												
25				0.62E								
26				0.45E								
27				0.38E								
28		0.55										
29												
30							0.30					
31				T				0.30				
Totals	0.00	1.44	0.45	1.45	1.15	0.80	2.30	0.30	0.20	0.00	0.00	0.05
												Water Year Total: 8.14

NOTE: All Values are in units of inches, unless otherwise specified.

LEGEND: A - Acculated Total  
 E - Estimated  
 T - Trace, unmeasurable amount of rain

Data Revised: March 2011

**PRECIPITATION**

**DAILY RAINFALL SUMMARY**

**83B Big Pines Recreation Park**

Gage Type: Daily Automatic (DPW)

Observation Time: 2400

Latitude 34-22-44

Longitude: 117-41-20

Elevation: 6860 Feet

Water Year from 10/01/1998 to 09/30/1999

Day	Oct	Nov	Dec	Jan	Feb	Mar	Apr	May	Jun	Jul	Aug	Sep
1			0.08		0.08		0.23		0.22			
2												
3							0.11					
4			0.04									
5					0.12							
6							0.23					
7					0.04							
8		0.24	0.12									
9			0.04		0.36							
10							0.11					
11		0.40	0.08				0.46					
12		0.08			0.48		0.93					
13		0.44										
14												
15												
16						0.93						
17												
18												
19												
20												
21												
22							0.23					
23												
24												
25				0.04								
26												
27				0.04								
28		0.24		0.12								
29		0.40		0.40								
30		0.16		0.16			0.35					
31												
Totals	0.00	1.96	0.36	0.76	1.08	0.93	2.65	0.00	0.22	0.00	0.00	0.00
												Water Year Total: 7.96

NOTE: All Values are in units of inches, unless otherwise specified.

LEGEND: A - Acculated Total  
 E - Estimated  
 T - Trace, unmeasurable amount of rain

Data Revised: March 2011

**PRECIPITATION**

**DAILY RAINFALL SUMMARY**

**89B San Dimas Dam**

Gage Type: Standard 8 inch diameter (DPW)

Observation Time: 800

Latitude 34-09-10

Longitude: 117-46-17

Elevation: 1350 Feet

Water Year from 10/01/1998 to 09/30/1999

Day	Oct	Nov	Dec	Jan	Feb	Mar	Apr	May	Jun	Jul	Aug	Sep
1					0.19		0.08	0.09				
2			0.01				0.08		0.58			
3							T	0.02	0.14			
4			0.15			0.04	T	0.02	0.04			
5			0.08		0.78							
6			0.18		0.08							
7							0.83					
8		0.66			0.02		0.26					
9					0.02		0.17			0.03		
10					0.95	0.04						
11		0.09										
12		0.02				0.01	1.00					
13							0.04					
14												
15								T				
16						0.55						
17												
18												
19			0.02									
20			0.25	0.07								
21				0.06		0.15						
22							0.01	0.02				
23							0.03	T				
24						0.01	0.14	T				
25	0.02			0.59		T	0.08					
26				0.22		0.19						
27				1.05								
28		0.29		0.01								
29		0.16					0.47	T				
30							0.10	T				
31				0.02								
Totals	0.02	1.22	0.69	2.02	2.04	0.99	3.29	0.15	0.76	0.03	0.00	0.00
												Water Year Total: 11.21

NOTE: All Values are in units of inches, unless otherwise specified.

LEGEND: A - Acculated Total  
 E - Estimated  
 T - Trace, unmeasurable amount of rain

Data Revised: March 2011

**PRECIPITATION**

**DAILY RAINFALL SUMMARY**

**93C Claremont-Police Station**

Gage Type: 8.81 inch diameter (DPW)

Observation Time: 800

Latitude 34-05-45

Longitude: 117-43-18

Elevation: 1170 Feet

Water Year from 10/01/1998 to 09/30/1999

Day	Oct	Nov	Dec	Jan	Feb	Mar	Apr	May	Jun	Jul	Aug	Sep
1							0.15					
2									0.23			
3									0.11			
4			0.45		0.19							
5					0.42							
6							0.35					
7												
8		0.54					0.43					
9					0.21		0.21					
10												
11		0.10					0.04					
12							0.50					
13							0.19					
14												
15						0.52						
16												
17												
18												
19												
20			0.08			0.10						
21												
22							0.01	0.01				
23												
24							0.10					
25				0.65								
26				0.52		0.14						
27				0.54								
28							0.08					
29		0.71										
30							0.01					
31				0.18								
Totals	0.00	1.35	0.53	1.89	0.82	0.76	2.07	0.01	0.34	0.00	0.00	0.00
										Water Year Total:		7.77

NOTE: All Values are in units of inches, unless otherwise specified.

LEGEND: A - Acculated Total  
 E - Estimated  
 T - Trace, unmeasurable amount of rain

Data Revised: March 2011



**PRECIPITATION**

**DAILY RAINFALL SUMMARY**

**95 San Dimas-Fire Warden**

Gage Type: Standard 8 inch diameter (DPW)

Observation Time: 800

Latitude 34-06-26

Longitude: 117-48-19

Elevation: 955 Feet

Water Year from 10/01/1998 to 09/30/1999

Day	Oct	Nov	Dec	Jan	Feb	Mar	Apr	May	Jun	Jul	Aug	Sep
1												
2									0.60E			
3												
4									0.09E			
5												
6			0.29E		0.57							
7							0.85					
8		0.46								0.03E		
9												
10					0.55							
11		0.21								0.03E		
12							0.84					
13												
14												
15												
16						0.59						
17												
18												
19												
20			0.19E									
21				0.18								
22												
23												
24												
25				0.68								
26				0.31		0.95						
27				0.70								
28		0.35										
29												
30												
31				0.15								
Totals	0.00	1.02	0.48	2.02	1.12	1.54	1.69	0.00	0.69	0.06	0.00	0.00
												Water Year Total: 8.62

NOTE: All Values are in units of inches, unless otherwise specified.

LEGEND: A - Acculated Total  
 E - Estimated  
 T - Trace, unmeasurable amount of rain

Data Revised: March 2011

**PRECIPITATION**

**DAILY RAINFALL SUMMARY**

**96C**      **Puddingstone Dam**

Gage Type: Daily Automatic (DPW)

Observation Time: 2400

Latitude 34-05-31

Longitude: 117-48-24

Elevation: 1030 Feet

Water Year from 10/01/1998 to 09/30/1999

Day	Oct	Nov	Dec	Jan	Feb	Mar	Apr	May	Jun	Jul	Aug	Sep
1					0.14			0.06				
2									0.49			
3									0.07			
4			0.18			0.04						
5			0.11		0.57							
6			0.15									
7							0.85					
8		0.57			0.04		0.18					
9					0.01		0.11			0.04		
10					0.37	0.04						
11		0.05										
12		0.02					0.65					
13							T					
14												
15						0.02						
16						0.46						
17												
18												
19												
20			0.15	0.17								
21				0.02		0.10						
22							T	0.02				
23							0.03	0.01				
24							0.02					
25				0.45		T	T					
26				0.15		0.23						
27				0.93								
28		0.23										
29		0.15					T					
30							0.05					
31				0.05								
Totals	0.00	1.02	0.59	1.77	1.13	0.89	1.89	0.09	0.56	0.04	0.00	0.00
												Water Year Total: 7.98

NOTE: All Values are in units of inches, unless otherwise specified.

LEGEND:    A - Acculated Total  
               E - Estimated  
               T - Trace, unmeasurable amount of rain

Data Revised: March 2011

**PRECIPITATION**

**DAILY RAINFALL SUMMARY**

**102D Walnut-N.I. Industries**

Gage Type: Standard 8 inch diameter (DPW)

Observation Time: 800

Latitude 34-00-11

Longitude: 117-52-10

Elevation: 500 Feet

Water Year from 10/01/1998 to 09/30/1999

Day	Oct	Nov	Dec	Jan	Feb	Mar	Apr	May	Jun	Jul	Aug	Sep
1					0.25			0.04				
2			0.06						0.28			
3												
4			0.01						0.05			
5			0.09		0.48							
6			0.26		0.02							
7						0.02	1.15					
8		0.43					0.26					
9		0.21			0.26		0.07			0.09		
10					0.32							
11						0.01						
12		0.03					0.73					
13												
14												
15												
16						0.51						
17												
18												
19												
20			0.12	0.12		0.08						
21				0.02								
22												
23								0.02				
24							0.01					
25	0.02			0.25								
26				0.15		0.13						
27				0.61								
28		0.19										
29		0.28					0.02					
30												
31												
Totals	0.02	1.14	0.54	1.15	1.33	0.75	2.24	0.06	0.33	0.09	0.00	0.00
												Water Year Total: 7.65

NOTE: All Values are in units of inches, unless otherwise specified.

LEGEND: A - Acculated Total  
 E - Estimated  
 T - Trace, unmeasurable amount of rain

Data Revised: March 2011

**PRECIPITATION**

**DAILY RAINFALL SUMMARY**

**106F Whittier City Yard**

Gage Type: Standard 8 inch diameter (DPW)

Observation Time: 800

Latitude 33-58-57

Longitude: 118-02-50

Elevation: 300 Feet

Water Year from 10/01/1998 to 09/30/1999

Day	Oct	Nov	Dec	Jan	Feb	Mar	Apr	May	Jun	Jul	Aug	Sep
1			0.12E				0.28					
2												
3												
4			0.10E		0.35				0.55			
5			0.02E		0.07							
6			0.19E				0.51					
7							0.28					
8		0.47					0.08			0.01		
9					0.41							
10												
11		0.04					0.67					
12							0.23					
13												
14												
15						0.20						
16												
17												
18												
19												
20			0.08E									
21						0.13						
22												
23												
24												
25						0.20						
26												
27												
28		0.43										
29												
30												
31				0.22								
Totals	0.00	0.94	0.51	0.22	0.83	0.53	2.05	0.00	0.55	0.01	0.00	0.00
											Water Year Total:	5.64

NOTE: All Values are in units of inches, unless otherwise specified.

LEGEND: A - Acculated Total  
 E - Estimated  
 T - Trace, unmeasurable amount of rain

Data Revised: March 2011

**PRECIPITATION**

**DAILY RAINFALL SUMMARY**

**107D Downey-Fire Department**

Gage Type: Standard 8 inch diameter (DPW)

Observation Time: 800

Latitude 33-55-48

Longitude: 118-08-47

Elevation: 110 Feet

Water Year from 10/01/1998 to 09/30/1999

Day	Oct	Nov	Dec	Jan	Feb	Mar	Apr	May	Jun	Jul	Aug	Sep
1			0.65				0.11					
2									0.11			
3												
4					0.07							
5			0.15		0.09		0.53					
6			0.36									
7												
8		0.85										
9					0.40	0.12						
10						0.04						
11		0.09										
12												
13												
14												
15						0.52						
16												
17												
18												
19												
20			0.06	0.30								
21								0.09				
22												
23												
24												
25				0.50		0.70						
26				0.45								
27												
28		0.83										
29												
30												
31				0.27								
Totals	0.00	1.77	1.22	1.52	0.56	1.38	0.64	0.09	0.11	0.00	0.00	0.00
										Water Year Total:		7.29

NOTE: All Values are in units of inches, unless otherwise specified.

LEGEND: A - Acculated Total  
 E - Estimated  
 T - Trace, unmeasurable amount of rain

Data Revised: March 2011

**PRECIPITATION**

**DAILY RAINFALL SUMMARY**

**108D El Monte Fire Station**

Gage Type: Standard 8 inch diameter (DPW)

Observation Time: 800

Latitude 34-04-30

Longitude: 118-02-30

Elevation: 275 Feet

Water Year from 10/01/1998 to 09/30/1999

Day	Oct	Nov	Dec	Jan	Feb	Mar	Apr	May	Jun	Jul	Aug	Sep
1			0.17									
2							0.19					
3							0.05		0.97			
4									0.14			
5												
6			0.26	T								
7							0.84					
8		0.44					0.30					
9				T	T	0.30	0.04					
10												
11		0.10		T	0.44							
12							0.75					
13												
14												
15												
16				T	T	0.45						
17												
18												
19												
20												
21				0.14		0.07						
22												
23												
24												
25												
26												
27				1.39								
28		0.66		0.01								
29												
30							0.14					
31				0.42								
Totals	0.00	1.20	0.43	1.96	0.44	0.82	2.31	0.00	1.11	0.00	0.00	0.00
												Water Year Total: 8.27

NOTE: All Values are in units of inches, unless otherwise specified.

LEGEND: A - Acculated Total  
 E - Estimated  
 T - Trace, unmeasurable amount of rain

Data Revised: March 2011

**PRECIPITATION**

**DAILY RAINFALL SUMMARY**

**109D West Arcadia**

Gage Type: Standard 8 inch diameter (DPW)

Observation Time: 800

Latitude 34-07-42

Longitude: 118-04-22

Elevation: 547 Feet

Water Year from 10/01/1998 to 09/30/1999

Day	Oct	Nov	Dec	Jan	Feb	Mar	Apr	May	Jun	Jul	Aug	Sep
1			0.08				0.06					
2							0.14					
3												
4												
5			0.08		0.30							
6					0.02		0.87					
7							0.88					
8		0.52										
9					0.60	0.05	0.11					
10												
11		0.07					0.36					
12							0.50					
13												
14												
15						0.64						
16												
17												
18												
19												
20				0.18		0.23						
21												
22												
23												
24												
25				0.47		0.32						
26				0.78								
27				0.28								
28		0.75										
29		0.03										
30							0.05					
31				0.44								
Totals	0.00	1.37	0.16	2.15	0.92	1.24	2.97	0.00	0.00	0.00	0.00	0.00
												Water Year Total: 8.81

NOTE: All Values are in units of inches, unless otherwise specified.

LEGEND: A - Acculated Total  
 E - Estimated  
 T - Trace, unmeasurable amount of rain

Data Revised: March 2011

**PRECIPITATION**

**DAILY RAINFALL SUMMARY**

**110B Alhambra**

Gage Type: Standard 8 inch diameter (DPW)

Observation Time: 800

Latitude 34-05-40

Longitude: 118-07-41

Elevation: 533 Feet

Water Year from 10/01/1998 to 09/30/1999

Day	Oct	Nov	Dec	Jan	Feb	Mar	Apr	May	Jun	Jul	Aug	Sep
1												
2			0.12				0.14		0.71			
3									0.25			
4			0.03						0.03			
5			0.09		0.39							
6			0.21				0.91					
7							0.41					
8		0.46										
9					0.31	0.05	0.10					
10					0.22							
11		0.08					0.30					
12							0.67					
13												
14												
15						0.53						
16												
17												
18												
19												
20				0.28		0.18						
21												
22												
23								0.13				
24							0.04					
25				0.41		0.32						
26				0.53		0.08						
27				0.27								
28		0.97										
29		0.02										
30												
31				0.55								
Totals	0.00	1.53	0.45	2.04	0.92	1.16	2.57	0.13	0.99	0.00	0.00	0.00
										Water Year Total:		9.79

NOTE: All Values are in units of inches, unless otherwise specified.

LEGEND: A - Acculated Total  
 E - Estimated  
 T - Trace, unmeasurable amount of rain

Data Revised: March 2011



**PRECIPITATION**

**DAILY RAINFALL SUMMARY**

**120 Vincent Patrol Station**

Gage Type: Standard 8 inch diameter (DPW)

Observation Time: 800

Latitude 34-29-17

Longitude: 118-08-27

Elevation: 3135 Feet

Water Year from 10/01/1998 to 09/30/1999

Day	Oct	Nov	Dec	Jan	Feb	Mar	Apr	May	Jun	Jul	Aug	Sep
1					0.02							
2			0.07									
3												
4							0.01					
5			0.05				0.23					
6			0.15									
7							0.20					
8												
9					0.01	0.02	0.25					
10					0.18							
11							0.13					
12		0.01					0.47			0.10		
13							0.61			0.05		
14												
15												
16												
17												
18												
19												
20						0.35						
21												
22												
23								0.24				
24												
25	0.01			0.01		0.80						
26				0.59								
27												
28		0.32										
29												
30												
31				0.02								
Totals	0.01	0.33	0.27	0.62	0.21	1.17	1.90	0.24	0.00	0.15	0.00	0.00
										Water Year Total:		4.90

NOTE: All Values are in units of inches, unless otherwise specified.

LEGEND: A - Acculated Total  
 E - Estimated  
 T - Trace, unmeasurable amount of rain

Data Revised: March 2011

**PRECIPITATION**

**DAILY RAINFALL SUMMARY**

**125B San Francisquito Canyon Ph#1 - Saugus**

Gage Type: Standard 8 inch diameter

Observation Time: 800

Latitude 34-35-25

Longitude: 118-27-15

Elevation: 2105 Feet

Water Year from 10/01/1998 to 09/30/1999

Day	Oct	Nov	Dec	Jan	Feb	Mar	Apr	May	Jun	Jul	Aug	Sep
1			0.08		0.04							
2			0.12						0.11			
3			0.04						0.22			
4			0.03				0.02		0.23			
5			T		0.12							
6			0.14		T		0.56					
7			T				0.47					
8		0.59			0.04		0.05					
9		0.05			0.51	0.25	0.26					
10					0.42							
11		0.13			T	0.08	1.05					
12		0.01					0.96					
13							0.02					
14												
15					T	0.40						
16						0.04						
17												
18												
19			0.01	0.01								
20				0.23		0.24						
21												
22								0.08				
23								0.01				
24						T						
25				0.98		0.21						
26				0.42		0.02						
27				0.27								
28		0.54										
29		0.03										
30	0.29						0.02					
31				0.54		0.08						
Totals	0.29	1.35	0.42	2.45	1.13	1.32	3.41	0.09	0.56	0.00	0.00	0.00
											Water Year Total:	11.02

NOTE: All Values are in units of inches, unless otherwise specified.

LEGEND: A - Acculated Total  
 E - Estimated  
 T - Trace, unmeasurable amount of rain

Data Revised: March 2011

**PRECIPITATION**

**DAILY RAINFALL SUMMARY**

**134C Puddingstone Diversion**

Gage Type: 8.81 inch diameter (DPW)

Observation Time: 800

Latitude 34-07-52

Longitude: 117-46-55

Elevation: 1160 Feet

Water Year from 10/01/1998 to 09/30/1999

Day	Oct	Nov	Dec	Jan	Feb	Mar	Apr	May	Jun	Jul	Aug	Sep
1					0.16		0.07					
2							0.04		0.53			
3							0.01		0.11			
4			0.17						0.03			
5			0.08		0.80	0.08						
6			0.15		0.02							
7							0.78					
8		0.60			0.05		0.21					
9					0.06	0.04	0.12	T				
10					0.52							
11		0.06										
12		0.03				0.02	0.78			T		
13												
14												
15								0.01				
16						0.46						
17												
18												
19												
20			0.30	0.10								
21				0.03		0.15	T					
22								0.06				
23							0.05	0.02				
24							0.20					
25	0.02			0.55		0.21	0.05					
26				0.15								
27				0.93								
28		0.28		0.01								
29		0.15					0.24					
30							0.06	T				
31				0.02								
Totals	0.02	1.12	0.70	1.79	1.61	0.96	2.61	0.09	0.67	0.00	0.00	0.00
										Water Year Total:		9.57

NOTE: All Values are in units of inches, unless otherwise specified.

LEGEND: A - Acculated Total  
 E - Estimated  
 T - Trace, unmeasurable amount of rain

Data Revised: March 2011

**PRECIPITATION**

**DAILY RAINFALL SUMMARY**

**144 Sierra Madre Dam**

Gage Type: Standard 8 inch diameter (DPW)

Observation Time: 800

Latitude 34-10-34

Longitude: 118-02-32

Elevation: 1100 Feet

Water Year from 10/01/1998 to 09/30/1999

Day	Oct	Nov	Dec	Jan	Feb	Mar	Apr	May	Jun	Jul	Aug	Sep
1					0.45		0.02	0.06				
2			0.10				0.12		1.00			
3									0.35			
4			0.11			0.13			0.08			
5			0.03		0.26							
6			0.15		0.07		0.34					
7							1.75					
8		0.56					0.11					
9					0.05							
10					1.15							
11		0.07										
12							0.65					
13							0.14					
14												
15						0.06						
16						0.75						
17												
18												
19			0.08									
20			0.04	0.20		0.09						
21				0.12		0.18						
22												
23							0.10	0.31				
24							0.05					
25				0.56		0.02						
26				0.19		0.37						
27				0.75								
28		0.53										
29		0.55					0.05					
30												
31				0.13								
Totals	0.00	1.71	0.51	1.95	1.98	1.60	3.33	0.37	1.43	0.00	0.00	0.00
											Water Year Total:	12.88

NOTE: All Values are in units of inches, unless otherwise specified.

LEGEND: A - Acculated Total  
 E - Estimated  
 T - Trace, unmeasurable amount of rain

Data Revised: March 2011

**PRECIPITATION**

**DAILY RAINFALL SUMMARY**

**156B**    **La Mirada-Standard Oil Company**

Gage Type: Daily Automatic (DPW)

Observation Time: 2400

Latitude 33-52-59

Longitude: 118-01-00

Elevation: 75 Feet

Water Year from 10/01/1998 to 09/30/1999

Day	Oct	Nov	Dec	Jan	Feb	Mar	Apr	May	Jun	Jul	Aug	Sep
1			0.27				0.04		0.04			
2									0.40			
3												
4			0.16		0.16							
5												
6			0.23				0.51					
7							0.20					
8		1.06										
9					0.16							
10												
11		0.04				0.04	1.49					
12							0.08					
13												
14												
15						0.51						
16						0.04						
17												
18												
19			0.27									
20			0.04	0.36		0.12						
21												0.35
22												
23	0.04											
24												
25				0.47		0.51						
26				0.51								
27				0.04								
28		0.32										
29												
30												
31				0.27								
Totals	0.04	1.42	0.97	1.65	0.32	1.22	2.32	0.00	0.44	0.00	0.00	0.35
												Water Year Total: 8.73

NOTE: All Values are in units of inches, unless otherwise specified.

LEGEND:    A - Acculated Total  
               E - Estimated  
               T - Trace, unmeasurable amount of rain

Data Revised: March 2011

**PRECIPITATION**

**DAILY RAINFALL SUMMARY**

**167C Arcadia Pumping Plant #1**

Gage Type: Standard 8 inch diameter (DPW)

Observation Time: 800

Latitude 34-09-31

Longitude: 118-02-02

Elevation: 611 Feet

Water Year from 10/01/1998 to 09/30/1999

Day	Oct	Nov	Dec	Jan	Feb	Mar	Apr	May	Jun	Jul	Aug	Sep
1			0.09				0.10					
2							0.03		0.49			
3									0.50			
4						0.12E						
5			0.08		0.26E							
6			0.11		0.07E		1.18					
7							0.55					
8		0.48					T					
9					0.11E		0.05			0.02		
10					0.75E	0.04E						
11		0.10					0.85					
12												
13												
14												
15						0.47E						
16						0.28E						
17												
18												
19			0.05									
20				0.18E		0.19E						
21				0.02E		0.05E						
22							0.10					
23								0.29				
24												
25						0.06E						
26				1.10		0.26E						
27				0.23								
28		0.80										
29												
30							0.12					
31				0.42								
Totals	0.00	1.38	0.33	1.95	1.19	1.47	2.98	0.29	0.99	0.02	0.00	0.00
										Water Year Total:		10.60

NOTE: All Values are in units of inches, unless otherwise specified.

LEGEND: A - Acculated Total  
 E - Estimated  
 T - Trace, unmeasurable amount of rain

Data Revised: March 2011

**PRECIPITATION**

**DAILY RAINFALL SUMMARY**

**169 Sierra Madre Pumping Plant**

Gage Type: Standard 8 inch diameter

Observation Time: 800

Latitude 34-09-47

Longitude: 118-02-21

Elevation: 700 Feet

Water Year from 10/01/1998 to 09/30/1999

Day	Oct	Nov	Dec	Jan	Feb	Mar	Apr	May	Jun	Jul	Aug	Sep
1					0.37		0.02	0.06				
2			0.07				0.10		0.75			
3									0.27			
4			0.15			0.06			0.28			
5			0.02		0.23							
6			0.13		0.07		0.30					
7							1.70					
8		0.56					0.29					
9					0.06		0.08					
10					0.83							
11		0.06										
12							0.65					
13							0.13					
14												
15						0.06						
16						0.70						
17												
18												
19			0.08									
20			0.03	0.16		0.09						
21				0.08		0.18						
22												
23								0.31				
24							0.09					
25				0.51			0.01					
26				0.19		0.30						
27				0.71								
28		0.47										
29		0.45					0.04					
30												
31				0.17								
Totals	0.00	1.54	0.48	1.82	1.56	1.39	3.41	0.37	1.30	0.00	0.00	0.00
											Water Year Total:	11.87

NOTE: All Values are in units of inches, unless otherwise specified.

LEGEND: A - Acculated Total  
 E - Estimated  
 T - Trace, unmeasurable amount of rain

Data Revised: March 2011

**PRECIPITATION**

**DAILY RAINFALL SUMMARY**

**170F Potrero Heights**

Gage Type: Standard 8 inch diameter (DPW)

Observation Time: 800

Latitude 34-02-32

Longitude: 118-04-44

Elevation: 285 Feet

Water Year from 10/01/1998 to 09/30/1999

Day	Oct	Nov	Dec	Jan	Feb	Mar	Apr	May	Jun	Jul	Aug	Sep
1			0.13				0.08					
2							0.04		0.71			
3									0.18			
4					0.08							
5			0.07		0.25							
6			0.27				0.57					
7							0.29					
8		0.52					0.01			0.07		
9					0.44	0.08	0.05					
10					0.05							
11		0.07					0.19					
12							0.60					
13												
14												
15						0.45						
16						0.01						
17												
18												
19												
20				0.14		0.18						
21												
22								0.02				
23								0.08				
24							0.06					
25				0.38		0.23						
26				0.50								
27				0.37								
28		0.56										
29		0.02										
30												
31				0.38								
Totals	0.00	1.17	0.47	1.77	0.82	0.95	1.89	0.10	0.89	0.07	0.00	0.00
												Water Year Total: 8.13

NOTE: All Values are in units of inches, unless otherwise specified.

LEGEND: A - Acculated Total  
 E - Estimated  
 T - Trace, unmeasurable amount of rain

Data Revised: March 2011



**PRECIPITATION**

**DAILY RAINFALL SUMMARY**

**172B Duarte**

Gage Type: Standard 8 inch diameter (DPW)

Observation Time: 800

Latitude 34-08-26

Longitude: 117-58-02

Elevation: 548 Feet

Water Year from 10/01/1998 to 09/30/1999

Day	Oct	Nov	Dec	Jan	Feb	Mar	Apr	May	Jun	Jul	Aug	Sep
1												
2			0.10						1.07			
3									0.15			
4			0.02						0.02			
5												
6					0.04							
7			0.14				1.13					
8					0.30		0.16					
9		0.50			0.09							
10					0.62	0.01						
11												
12		0.10				0.13	0.78			0.03		
13												
14												
15												
16						0.58						
17												
18												
19												
20												
21			0.18	0.16								
22						0.20						
23												
24												
25				0.64		0.28						
26				0.30								
27				0.33								
28		0.41										
29							0.08					
30		0.65										
31				0.36		0.06						
Totals	0.00	1.66	0.44	1.79	1.05	1.26	2.15	0.00	1.24	0.03	0.00	0.00
												Water Year Total: 9.62

NOTE: All Values are in units of inches, unless otherwise specified.

LEGEND: A - Acculated Total  
 E - Estimated  
 T - Trace, unmeasurable amount of rain

Data Revised: March 2011

**PRECIPITATION**

**DAILY RAINFALL SUMMARY**

**174B**    **Glendora**

Gage Type: Standard 8 inch diameter (DPW)

Observation Time: 800

Latitude 34-07-43

Longitude: 117-49-08

Elevation: 930 Feet

Water Year from 10/01/1998 to 09/30/1999

Day	Oct	Nov	Dec	Jan	Feb	Mar	Apr	May	Jun	Jul	Aug	Sep
1												
2									0.70			
3												
4					0.20				0.10			
5												
6			0.33		0.42		0.50					
7							0.40					
8		0.80			0.03		0.06			0.03		
9					0.38	0.05						
10					0.20							
11		0.07					0.34			0.09		
12							0.42					
13												
14												
15						0.52						
16												
17												
18												
19												
20			0.26			0.15						
21												
22								0.15				
23							0.05					
24												
25				0.90		0.22						
26												
27												
28		0.60										
29							0.10					
30							0.10					
31				1.10		0.05						
Totals	0.00	1.47	0.59	2.00	1.23	0.99	1.97	0.15	0.80	0.12	0.00	0.00
												Water Year Total: 9.32

NOTE: All Values are in units of inches, unless otherwise specified.

LEGEND:    A - Acculated Total  
               E - Estimated  
               T - Trace, unmeasurable amount of rain

Data Revised: March 2011

**PRECIPITATION**

**DAILY RAINFALL SUMMARY**

**175B La Canada Irrigation District**

Gage Type: Standard 8 inch diameter (DPW)

Observation Time: 800

Latitude 34-13-39

Longitude: 118-12-40

Elevation: 2020 Feet

Water Year from 10/01/1998 to 09/30/1999

Day	Oct	Nov	Dec	Jan	Feb	Mar	Apr	May	Jun	Jul	Aug	Sep
1												
2			0.13				0.20		1.05			
3							0.26		0.40			
4			0.02			0.08			0.05			
5			0.03		0.08							
6			0.01		0.03		0.12					
7							1.06					
8		0.54					0.23					
9						0.06	0.15					
10					0.95	0.05						
11		0.08										
12						0.02	0.96					
13							0.15					
14												
15						0.27						
16						0.60						
17												
18												
19			0.17									
20			0.03	0.26		0.06		0.04				
21				0.05		0.04						
22								0.10				
23							0.03	0.07				
24							0.02					0.02
25				1.10								
26				0.38		0.50						
27				0.65								
28		0.85										
29		0.32										
30												
31				0.75		T						
Totals	0.00	1.79	0.39	3.19	1.06	1.68	3.18	0.21	1.50	0.00	0.00	0.02
											Water Year Total:	13.02

NOTE: All Values are in units of inches, unless otherwise specified.

LEGEND: A - Acculated Total  
 E - Estimated  
 T - Trace, unmeasurable amount of rain

Data Revised: March 2011

**PRECIPITATION**

**DAILY RAINFALL SUMMARY**

**176 Altadena-Rubio Canyon**

Gage Type: Standard 8 inch diameter

Observation Time: 800

Latitude 34-10-55

Longitude: 118-08-15

Elevation: 1125 Feet

Water Year from 10/01/1998 to 09/30/1999

Day	Oct	Nov	Dec	Jan	Feb	Mar	Apr	May	Jun	Jul	Aug	Sep
1												
2			0.13						0.89			
3			0.09						0.30			
4						0.08						
5					0.02							
6												
7			0.19				1.97					
8		0.44					0.57					
9							0.02					
10					1.10							
11												
12							0.93					
13							0.10					
14												
15												
16						0.78						
17												
18												
19												
20				0.20								
21												
22						0.28						
23								0.30				
24												
25				0.78		0.50						
26				0.63								
27				0.36								
28												
29		1.07										
30							0.09					
31				0.52								
Totals	0.00	1.51	0.41	2.49	1.12	1.64	3.68	0.30	1.19	0.00	0.00	0.00
										Water Year Total:		12.34

NOTE: All Values are in units of inches, unless otherwise specified.

LEGEND: A - Acculated Total  
 E - Estimated  
 T - Trace, unmeasurable amount of rain

Data Revised: March 2011

**PRECIPITATION**

**DAILY RAINFALL SUMMARY**

**196C La Verne-Fire Station**

Gage Type: Standard 8 inch diameter (DPW)

Observation Time: 800

Latitude 34-06-06

Longitude: 117-46-20

Elevation: 1050 Feet

Water Year from 10/01/1998 to 09/30/1999

Day	Oct	Nov	Dec	Jan	Feb	Mar	Apr	May	Jun	Jul	Aug	Sep
1												
2												
3												
4					0.04							
5					0.53							
6			0.20				0.48					
7							0.70					
8		0.58			0.02					0.02		
9					0.20							
10												
11		0.10					0.17			0.01		
12							0.65					
13												
14												
15						0.53						
16												
17												
18												
19												
20			0.15	0.15								
21												
22												
23							0.05					
24							0.10					
25				0.52	0.20							
26				0.03								
27				0.80								
28		0.40										
29							0.05					
30												
31												
Totals	0.00	1.08	0.35	1.50	0.79	0.73	2.20	0.00	0.00	0.03	0.00	0.00
										Water Year Total:		6.68

NOTE: All Values are in units of inches, unless otherwise specified.

LEGEND: A - Acculated Total  
 E - Estimated  
 T - Trace, unmeasurable amount of rain

Data Revised: March 2011

**PRECIPITATION**

**DAILY RAINFALL SUMMARY**

**210C Brand Park**

Gage Type: Daily Automatic (DPW)

Observation Time: 2400

Latitude 34-11-18

Longitude: 118-16-20

Elevation: 1250 Feet

Water Year from 10/01/1998 to 09/30/1999

Day	Oct	Nov	Dec	Jan	Feb	Mar	Apr	May	Jun	Jul	Aug	Sep
1			0.16				0.04					
2							0.04		0.83			
3						0.08			0.32			
4					0.04	0.04						
5					0.16							
6			0.15				0.59					
7							0.15					
8		0.16					0.12					
9					0.51	0.04						
10												
11		0.15					0.59				0.04	
12							0.20					
13							0.04					
14												
15						0.51						
16												
17												
18												
19				0.04								
20				0.08		0.32						
21												
22		0.04						0.04				
23							0.16					0.23
24												
25				0.71		0.51						
26				0.55								
27												
28		0.75										
29												
30												
31				0.51								
Totals	0.00	1.10	0.31	1.89	0.71	1.50	1.93	0.04	1.15	0.00	0.04	0.23
												Water Year Total: 8.90

NOTE: All Values are in units of inches, unless otherwise specified.

LEGEND: A - Acculated Total  
 E - Estimated  
 T - Trace, unmeasurable amount of rain

Data Revised: March 2011

**PRECIPITATION**

**DAILY RAINFALL SUMMARY**

**216C Glendale - Jackson**

Gage Type: Standard 8 inch diameter (DPW)

Observation Time: 800

Latitude 34-09-54

Longitude: 118-15-01

Elevation: 615 Feet

Water Year from 10/01/1998 to 09/30/1999

Day	Oct	Nov	Dec	Jan	Feb	Mar	Apr	May	Jun	Jul	Aug	Sep
1			0.20				0.20					
2			0.01				T		0.84			
3			T						0.24			
4			0.01		T	0.01			0.13			
5					0.23							
6			0.18				0.60					
7							0.57					
8		0.45								T		
9					0.59	0.01	0.14					
10					0.07							
11		0.10				T						
12							1.02					
13												
14												
15						0.66						
16												
17												
18												
19												
20			T	0.23		0.30		T				
21												T
22							0.01	T				
23						T	T	0.10				0.13
24												
25				0.66		0.61						
26				0.59								
27				0.21								
28		0.80					T					
29												
30	T						0.06					
31				0.58		0.01						
Totals	0.00	1.35	0.40	2.27	0.89	1.60	2.60	0.10	1.21	0.00	0.00	0.13
												Water Year Total: 10.55

NOTE: All Values are in units of inches, unless otherwise specified.

LEGEND: A - Acculated Total  
 E - Estimated  
 T - Trace, unmeasurable amount of rain

Data Revised: March 2011

**PRECIPITATION**

**DAILY RAINFALL SUMMARY**

**223C Big Dalton Dam**

Gage Type: Standard 8 inch diameter (DPW)

Observation Time: 800

Latitude 34-10-06

Longitude: 117-48-36

Elevation: 1587 Feet

Water Year from 10/01/1998 to 09/30/1999

Day	Oct	Nov	Dec	Jan	Feb	Mar	Apr	May	Jun	Jul	Aug	Sep
1					0.16		0.09	0.16				
2			0.02				0.11		0.79			
3	T						0.01	T	0.21			
4			0.15			0.15	0.03	0.01	0.03			
5			0.04		0.75	0.01						
6			0.18		0.07		0.01					
7					0.02		0.97					
8		0.70			0.06		0.25					
9					0.05		0.22	0.05		0.01		
10					1.44	0.06		0.02				
11		0.07										
12		0.08				0.05	1.05			0.43		
13							0.11					
14								0.02				
15								T				
16						0.63						
17						0.01						
18												
19			0.04		0.05							
20			0.28	0.12								
21				0.07		0.24						
22							T	0.09				
23							0.06	0.03				
24							0.22	0.01				
25				0.96			0.12					
26				0.39		0.27						
27				1.11								
28		0.31										
29		0.93					0.53	T				
30							0.10					
31				0.13								
Totals	0.00	2.09	0.71	2.78	2.60	1.42	3.88	0.39	1.03	0.44	0.00	0.00
												Water Year Total: 15.34

NOTE: All Values are in units of inches, unless otherwise specified.

LEGEND: A - Acculated Total  
 E - Estimated  
 T - Trace, unmeasurable amount of rain

Data Revised: March 2011



**PRECIPITATION**

**DAILY RAINFALL SUMMARY**

**225 Montana Ranch-Lakewood**

Gage Type: Standard 8 inch diameter (DPW)

Observation Time: 800

Latitude 33-50-35

Longitude: 118-07-09

Elevation: 47 Feet

Water Year from 10/01/1998 to 09/30/1999

Day	Oct	Nov	Dec	Jan	Feb	Mar	Apr	May	Jun	Jul	Aug	Sep
1			0.30				0.10		0.40			
2												
3												
4			0.25		0.25							
5			0.40		T							
6							0.53					
7		0.50					0.10					
8					T					0.05		
9					0.30	0.10						
10												
11						0.20	1.60					
12							0.10					
13												
14												
15						0.90						
16												
17												
18												
19				0.30		0.10						
20				0.30		0.15						
21												
22												
23								0.25				
24				0.30								
25				0.30		0.60						
26				0.60								
27		0.40										
28		0.10										
29												
30				0.50								
31												
Totals	0.00	1.00	0.95	2.30	0.55	2.05	2.43	0.25	0.40	0.05	0.00	0.00
												Water Year Total: 9.98

NOTE: All Values are in units of inches, unless otherwise specified.

LEGEND: A - Acculated Total  
 E - Estimated  
 T - Trace, unmeasurable amount of rain

Data Revised: March 2011

**PRECIPITATION**

**DAILY RAINFALL SUMMARY**

**227D San Gabriel-Bruington-Orton**

Gage Type: Standard 8 inch diameter (DPW)

Observation Time: 800

Latitude 34-06-18

Longitude: 118-06-32

Elevation: 472 Feet

Water Year from 10/01/1998 to 09/30/1999

Day	Oct	Nov	Dec	Jan	Feb	Mar	Apr	May	Jun	Jul	Aug	Sep
1							0.07					
2							0.02		0.67			
3									0.22			
4					0.03				0.26			
5			0.03		0.23							
6			0.18				1.04					
7							0.36					
8		0.47					0.06			0.05		
9					0.47	0.02						
10					0.05							
11		0.07					0.37					
12							0.56					
13												
14												
15						0.58						
16												
17												
18												
19												
20				0.27		0.17						
21												
22								0.01				
23								0.21				
24												
25				0.43		0.33						
26				0.51								
27				0.35								
28		1.10										
29												
30												
31				0.55								
Totals	0.00	1.64	0.21	2.11	0.78	1.10	2.48	0.22	1.15	0.05	0.00	0.00
												Water Year Total: 9.74

NOTE: All Values are in units of inches, unless otherwise specified.

LEGEND: A - Acculated Total  
 E - Estimated  
 T - Trace, unmeasurable amount of rain

Data Revised: March 2011

**PRECIPITATION**

**DAILY RAINFALL SUMMARY**

**228C Beverly Hills City Hall**

Gage Type: Standard 8 inch diameter (DPW)

Observation Time: 800

Latitude 34-06-00

Longitude: 118-23-40

Elevation: 245 Feet

Water Year from 10/01/1998 to 09/30/1999

Day	Oct	Nov	Dec	Jan	Feb	Mar	Apr	May	Jun	Jul	Aug	Sep
1			0.25				0.02		0.74			
2									0.12			
3									0.04			
4			0.02		0.09							
5			0.24									
6							1.25					
7		1.07					0.22					
8					0.08		0.06					
9					0.30	0.08						
10												
11		0.05					1.54					
12												
13												
14												
15						0.63						
16												
17												
18												
19				0.16								
20				0.01		0.34						
21			0.02									
22												
23												
24				0.33								
25				0.38		0.83						
26				0.23								
27												
28		0.74										
29	0.12											
30				0.37								
31												
Totals	0.12	1.86	0.53	1.48	0.47	1.88	3.09	0.00	0.90	0.00	0.00	0.00
											Water Year Total:	10.33

NOTE: All Values are in units of inches, unless otherwise specified.

LEGEND: A - Acculated Total  
 E - Estimated  
 T - Trace, unmeasurable amount of rain

Data Revised: March 2011

**PRECIPITATION**

**DAILY RAINFALL SUMMARY**

**237C Stone Canyon Reservoir**

Gage Type: Standard 8 inch diameter

Observation Time: 800

Latitude 34-06-21

Longitude: 118-27-13

Elevation: 865 Feet

Water Year from 10/01/1998 to 09/30/1999

Day	Oct	Nov	Dec	Jan	Feb	Mar	Apr	May	Jun	Jul	Aug	Sep
1							0.01					
2			0.24				0.03		0.64			
3									0.13			
4			0.04						0.13			
5			0.06		0.15							
6			0.22		0.02		0.52					
7							0.66					
8		0.84					0.22					
9					0.05	0.02	0.08					
10					0.60	0.05						
11						0.01						
12		0.14					1.79			0.09		
13							0.10					
14												
15						0.30						
16						0.56						
17												
18												
19												
20				0.10		0.28						
21						0.08						
22								0.01				
23							0.03	T				
24							0.01					
25				0.36		0.19						
26						0.95						
27		0.78		0.55								
28												
29	0.02						0.15	T				
30												
31												
Totals	0.02	1.76	0.56	1.01	0.82	2.44	3.60	0.01	0.90	0.09	0.00	0.00
												Water Year Total: 11.21

NOTE: All Values are in units of inches, unless otherwise specified.

LEGEND: A - Acculated Total  
 E - Estimated  
 T - Trace, unmeasurable amount of rain

Data Revised: March 2011

**PRECIPITATION**

**DAILY RAINFALL SUMMARY**

**238 Hollywood Dam**

Gage Type: Standard 8 inch diameter

Observation Time: 800

Latitude 34-07-04

Longitude: 118-19-55

Elevation: 750 Feet

Water Year from 10/01/1998 to 09/30/1999

Day	Oct	Nov	Dec	Jan	Feb	Mar	Apr	May	Jun	Jul	Aug	Sep
1												
2			0.21				0.09		0.76			
3							0.01		0.44	T		
4			0.05			0.02			0.05			
5			0.02		0.17							
6			0.17		0.16	T	0.17					
7						T	0.82					
8		0.56					0.36					
9					0.06	T	0.23					
10					0.51	0.04						
11		0.12								0.45		
12		T					0.12					
13							0.05					
14												
15						0.05						
16						0.59						
17												
18												
19			T									
20				0.16		0.34						
21				0.09		0.04						
22								T				T
23								T				
24							0.06					0.27
25				0.51		0.07						
26				0.68		0.82						
27				0.11								
28		0.65										
29		0.21										
30	0.02						T					
31												
Totals	0.02	1.54	0.45	1.55	0.90	1.97	1.91	0.00	1.25	0.45	0.00	0.27
												Water Year Total: 10.31

NOTE: All Values are in units of inches, unless otherwise specified.

LEGEND: A - Acculated Total  
 E - Estimated  
 T - Trace, unmeasurable amount of rain

Data Revised: March 2011

**PRECIPITATION**

**DAILY RAINFALL SUMMARY**

**250D Acton Camp**

Gage Type: Daily Automatic (DPW)

Observation Time: 2400

Latitude 34-27-02

Longitude: 118-11-55

Elevation: 2625 Feet

Water Year from 10/01/1998 to 09/30/1999

Day	Oct	Nov	Dec	Jan	Feb	Mar	Apr	May	Jun	Jul	Aug	Sep
1					0.08							
2			0.04						0.12			
3									0.28			
4			0.07				0.01E					
5							0.23E					
6			0.12									
7												
8							0.20E					
9						0.02E	0.20E		0.12			
10					0.16							
11							0.13E					
12		0.01E					0.49E			0.01E		
13							0.62E			0.05E		
14												
15												
16												
17												
18												
19												
20						0.36E						
21												
22												
23								0.25E				
24				0.04								
25	0.01E			0.44		0.82E						
26												
27				0.11								
28		0.33E										
29												
30												
31				0.08								
Totals	0.01	0.34	0.23	0.67	0.24	1.20	1.88	0.25	0.52	0.06	0.00	0.00
										Water Year Total:		5.40

NOTE: All Values are in units of inches, unless otherwise specified.

LEGEND: A - Acculated Total  
 E - Estimated  
 T - Trace, unmeasurable amount of rain

Data Revised: March 2011

**PRECIPITATION**

**DAILY RAINFALL SUMMARY**

**251C La Crescenta**

Gage Type: Standard 8 inch diameter (DPW)

Observation Time: 800

Latitude 34-13-20

Longitude: 118-14-40

Elevation: 1440 Feet

Water Year from 10/01/1998 to 09/30/1999

Day	Oct	Nov	Dec	Jan	Feb	Mar	Apr	May	Jun	Jul	Aug	Sep
1			0.14				0.10		0.95			
2	T		0.02				0.35	T				
3								T	0.30			
4			0.02			0.05			0.05			
5			A		0.16							
6			0.16A				0.80					
7					T	T	0.53					
8		0.53					0.04			T		
9					0.83	0.05						
10					0.14		0.84E					
11		0.09				0.01	0.37E					
12							0.08					
13												
14												
15						0.87						
16												
17												
18												
19			A									
20			0.10A	0.26		A						
21						0.35A						
22						T	0.01	A				
23							0.01	0.27A				0.13
24												
25				0.96		0.49						
26				0.75		0.01						
27				0.30								
28		1.06					0.03					
29												
30				A			0.02					
31				0.73A		T						
Totals	0.00	1.68	0.44	3.00	1.13	1.83	3.18	0.27	1.30	0.00	0.00	0.13
										Water Year Total:		12.96

NOTE: All Values are in units of inches, unless otherwise specified.

LEGEND: A - Acculated Total  
 E - Estimated  
 T - Trace, unmeasurable amount of rain

Data Revised: March 2011

**PRECIPITATION**

**DAILY RAINFALL SUMMARY**

**252C Castaic Lake**

Gage Type: Standard 8 inch diameter

Observation Time: 800

Latitude 34-29-53

Longitude: 118-36-53

Elevation: 1150 Feet

Water Year from 10/01/1998 to 09/30/1999

Day	Oct	Nov	Dec	Jan	Feb	Mar	Apr	May	Jun	Jul	Aug	Sep
1			0.11				T					
2			0.11						0.08E			
3									0.21E			
4									0.22E			
5			T		0.25				0.02E			
6			0.08		0.04		0.41					
7			T		0.01		0.72					
8		0.57			0.02		0.06					
9		T			0.03	0.19	0.11					
10					0.17	0.12						
11		0.08				0.03						
12		T				T	1.33					
13							0.08			0.07		
14												
15						0.09						
16						0.51						
17												
18												
19				T								
20				0.06		0.49						
21				T		0.08						
22								0.02				0.03
23								0.05				
24				T			0.63					
25				1.50		0.12	0.02					
26				0.16		0.10						
27				0.26								
28		0.56										
29		0.11										
30		T										
31				0.45								
Totals	0.00	1.32	0.30	2.43	0.52	1.73	3.36	0.07	0.53	0.07	0.00	0.03
											Water Year Total:	10.36

NOTE: All Values are in units of inches, unless otherwise specified.

LEGEND: A - Acculated Total  
 E - Estimated  
 T - Trace, unmeasurable amount of rain

Data Revised: March 2011



**PRECIPITATION**

**DAILY RAINFALL SUMMARY**

**255F Mount San Antonio College-Spadra**

Gage Type: Standard 8 inch diameter (DPW)

Observation Time: 800

Latitude 34-02-41

Longitude: 117-50-19

Elevation: 720 Feet

Water Year from 10/01/1998 to 09/30/1999

Day	Oct	Nov	Dec	Jan	Feb	Mar	Apr	May	Jun	Jul	Aug	Sep
1					0.19							
2									0.31			
3									0.02			
4												
5					0.52							
6							0.30					
7							0.41					
8					0.02		0.25					
9					0.10	0.07	0.11			0.02		
10					0.23							
11						0.02						
12							0.33					
13												
14								0.02				
15						0.35						
16												
17												
18												
19												
20				0.49		0.09						
21												
22												
23												
24												
25				0.31		0.04						
26				0.07								
27				0.60								
28												
29												
30		0.57										
31												
Totals	0.00	0.57	0.00	1.47	1.06	0.57	1.40	0.02	0.33	0.02	0.00	0.00
												Water Year Total: 5.44

NOTE: All Values are in units of inches, unless otherwise specified.

LEGEND: A - Acculated Total  
 E - Estimated  
 T - Trace, unmeasurable amount of rain

Data Revised: March 2011

**PRECIPITATION**

**DAILY RAINFALL SUMMARY**

**261F Acton-Escondido Canyon**

Gage Type: Daily Automatic (DPW)

Observation Time: 2400

Latitude 34-29-42

Longitude: 118-16-22

Elevation: 2960 Feet

Water Year from 10/01/1998 to 09/30/1999

Day	Oct	Nov	Dec	Jan	Feb	Mar	Apr	May	Jun	Jul	Aug	Sep
1												
2									0.12			
3									0.27			
4			0.48									
5			0.11									
6			0.12				0.20					
7							0.40					0.32
8		0.12					0.03					0.03
9						0.04	0.04		0.12			
10												
11		0.31				0.04	0.20					
12							0.43					
13												
14												
15												
16												
17												
18						0.24						
19												
20						0.12						
21												
22												
23		0.08						0.08				
24				0.12								
25				0.67		0.12						
26				0.28								
27				0.07								
28		0.47										
29	0.08											
30												
31				0.16		0.03						
Totals	0.08	0.98	0.71	1.30	0.00	0.59	1.30	0.08	0.51	0.00	0.00	0.35
												Water Year Total: 5.90

NOTE: All Values are in units of inches, unless otherwise specified.

LEGEND: A - Acculated Total  
 E - Estimated  
 T - Trace, unmeasurable amount of rain

Data Revised: March 2011

**PRECIPITATION**

**DAILY RAINFALL SUMMARY**

**269D Diamond Bar Fire Station**

Gage Type: Standard 8 inch diameter

Observation Time: 800

Latitude 33-59-50

Longitude: 117-48-55

Elevation: 870 Feet

Water Year from 10/01/1998 to 09/30/1999

Day	Oct	Nov	Dec	Jan	Feb	Mar	Apr	May	Jun	Jul	Aug	Sep
1			0.02				0.05					
2			0.02						0.30			
3									0.02			
4			0.02		0.04	0.01			0.04			
5			0.15		0.53							
6			0.22				0.29					
7							0.33					
8		0.59								0.10		
9					0.14	0.01	0.05					
10					0.25							
11		0.05				0.02	0.33					
12		0.01					0.42					
13												
14												
15						0.49						
16												
17												
18												
19												
20			0.22	0.17		0.09						
21												
22												
23												
24							0.02					
25	0.04			0.37		0.20						
26				0.31		0.01						
27				0.51								
28		0.38										
29		0.04										
30							0.05					
31				0.24								
Totals	0.04	1.07	0.65	1.60	0.96	0.83	1.54	0.00	0.36	0.10	0.00	0.00
												Water Year Total: 7.15

NOTE: All Values are in units of inches, unless otherwise specified.

LEGEND: A - Acculated Total  
 E - Estimated  
 T - Trace, unmeasurable amount of rain

Data Revised: March 2011

**PRECIPITATION**

**DAILY RAINFALL SUMMARY**

**277 Sawmill Mountain**

Gage Type: Standard 8 inch diameter (DPW)

Observation Time: 800

Latitude 34-43-15

Longitude: 118-35-00

Elevation: 3700 Feet

Water Year from 10/01/1998 to 09/30/1999

Day	Oct	Nov	Dec	Jan	Feb	Mar	Apr	May	Jun	Jul	Aug	Sep
1			0.26									
2			0.22						0.08			
3							0.06		0.35			
4							0.06		0.05			
5												
6			0.12		0.11		0.71					
7							0.34					
8		0.22										
9		0.08				0.05	0.20					
10					1.39							
11		0.15					2.00					
12							1.00					
13												
14												
15						0.34						
16												
17												
18												
19												
20				0.04								
21			0.10	0.06		0.37						
22												
23												0.05
24												
25				1.87		0.56						
26				0.19		0.02						
27				0.05								
28		0.86										
29		0.02										
30												
31				1.15		0.02						
Totals	0.00	1.33	0.70	3.36	1.50	1.36	4.37	0.00	0.48	0.00	0.00	0.05
											Water Year Total:	13.15

NOTE: All Values are in units of inches, unless otherwise specified.

LEGEND: A - Acculated Total  
 E - Estimated  
 T - Trace, unmeasurable amount of rain

Data Revised: March 2011

**PRECIPITATION**

**DAILY RAINFALL SUMMARY**

**280C Flintridge-Sacred Heart**

Gage Type: Daily Automatic (DPW)

Observation Time: 2400

Latitude 34-10-54

Longitude: 118-11-08

Elevation: 1600 Feet

Water Year from 10/01/1998 to 09/30/1999

Day	Oct	Nov	Dec	Jan	Feb	Mar	Apr	May	Jun	Jul	Aug	Sep
1			0.12				0.12					
2									0.83			
3			0.04						0.20			
4					0.08	0.04						
5					0.08							
6			0.12				1.07		0.04			
7							0.51					
8		0.40					0.16					
9					1.02	0.04						
10												
11		0.08					0.66			0.07		
12							0.36					
13												
14	0.31											
15						0.71						
16												
17												
18												
19			0.04	0.08								
20				0.19		0.19						
21												
22		0.11						0.11				
23		0.16					0.04	0.16				
24												
25				0.75		0.51						
26				0.91								
27												
28		0.82					0.12					
29												
30												
31				0.67								
Totals	0.31	1.57	0.32	2.60	1.18	1.49	3.04	0.27	1.07	0.07	0.00	0.00
											Water Year Total:	11.92

NOTE: All Values are in units of inches, unless otherwise specified.

LEGEND: A - Acculated Total  
 E - Estimated  
 T - Trace, unmeasurable amount of rain

Data Revised: March 2011

**PRECIPITATION**

**DAILY RAINFALL SUMMARY**

**283C** Crystal Lake-East Pine Flat

Gage Type: Daily Automatic (DPW)

Observation Time: 2400

Latitude 34-19-02

Longitude: 117-50-28

Elevation: 5370 Feet

Water Year from 10/01/1998 to 09/30/1999

Day	Oct	Nov	Dec	Jan	Feb	Mar	Apr	May	Jun	Jul	Aug	Sep
1			0.12E		0.58E		0.08		0.60			
2					0.12E				1.12			
3									0.12			
4			0.06E									
5					1.35E							
6												
7					0.06E	0.04						
8		0.79E	0.17E			0.04						
9			0.06E		1.90E	0.04						
10						0.04						
11		0.25E	0.12E		0.05E	0.04				0.12		
12		0.40E				0.08				0.04		
13												
14												
15												
16						0.44						
17						0.48						
18												
19												
20						0.40						
21												
22												
23												
24						0.04						
25	0.04E			0.06E		0.44						
26												
27				0.06E								
28		0.98E		0.12E								
29				0.40E								
30				0.16E								
31												
Totals	0.04	2.42	0.53	0.80	4.06	2.08	0.08	0.00	1.84	0.16	0.00	0.00
												Water Year Total: 12.01

NOTE: All Values are in units of inches, unless otherwise specified.

LEGEND: A - Acculated Total  
 E - Estimated  
 T - Trace, unmeasurable amount of rain

Data Revised: March 2011

**PRECIPITATION**

**DAILY RAINFALL SUMMARY**

**287B**      **Glendora-City Hall**

Gage Type: 8.81 inch diameter (DPW)

Observation Time:      800

Latitude 34-08-09

Longitude: 117-51-52

Elevation: 785 Feet

Water Year from 10/01/1998 to 09/30/1999

Day	Oct	Nov	Dec	Jan	Feb	Mar	Apr	May	Jun	Jul	Aug	Sep
1					0.10		0.09	0.06				
2			T				0.04		0.73			
3									0.14			
4			0.05			0.05			0.01			
5			T		0.50							
6			0.16		0.10		T					
7							0.82					
8					T		0.22					
9					0.05	T	0.13	T		0.05		
10		0.70			0.84	0.05						
11		0.06				T						
12		0.01					0.78			0.24		
13							0.03	T				
14												
15						0.05						
16	T					0.47						
17												
18												
19			0.29		T							
20				0.15		0.17						
21				T								
22							T	T				T
23							0.02	0.05				
24							0.02					
25				0.73		T	0.07					
26				0.34		0.25						
27				0.84								
28		0.38					T					
29		0.35					0.18					
30							0.06					
31				0.15								
Totals	0.00	1.50	0.50	2.21	1.59	1.04	2.46	0.11	0.88	0.29	0.00	0.00
												Water Year Total: 10.58

NOTE: All Values are in units of inches, unless otherwise specified.

LEGEND:      A - Acculated Total  
                   E - Estimated  
                   T - Trace, unmeasurable amount of rain

Data Revised: March 2011

**PRECIPITATION**

**DAILY RAINFALL SUMMARY**

**291 Los Angeles-96th and Central**

Gage Type: Daily Automatic (DPW)

Observation Time: 2400

Latitude 33-56-56

Longitude: 118-15-17

Elevation: 121 Feet

Water Year from 10/01/1998 to 09/30/1999

Day	Oct	Nov	Dec	Jan	Feb	Mar	Apr	May	Jun	Jul	Aug	Sep
1			0.20				0.04					
2			0.03						0.39			
3									0.20			
4			0.12		0.16							
5												
6			0.40				0.48					
7							0.39					
8		0.94					0.08					0.16
9					0.16	0.04						
10					0.11							
11		0.04				0.04	1.42					
12							0.04					
13												
14												
15						0.52						
16												
17												
18												
19												
20			0.04	0.23		0.15						
21												
22												
23												
24												
25				0.36		0.47						
26				0.55								
27												
28		0.36										
29												
30												
31				0.39								
Totals	0.00	1.34	0.79	1.53	0.43	1.22	2.45	0.00	0.59	0.00	0.00	0.16
												Water Year Total: 8.51

NOTE: All Values are in units of inches, unless otherwise specified.

LEGEND: A - Acculated Total  
 E - Estimated  
 T - Trace, unmeasurable amount of rain

Data Revised: March 2011



**PRECIPITATION**

**DAILY RAINFALL SUMMARY**

**292D Encino Reservoir**

Gage Type: Standard 8 inch diameter (DPW)

Observation Time: 800

Latitude 34-08-56

Longitude: 118-30-57

Elevation: 1075 Feet

Water Year from 10/01/1998 to 09/30/1999

Day	Oct	Nov	Dec	Jan	Feb	Mar	Apr	May	Jun	Jul	Aug	Sep
1												
2			0.15				0.03		0.41			
3									0.06			
4			0.02				T		0.30			
5			0.02		0.03							
6			0.17		0.01		0.39					
7					T		0.83					
8		0.59			0.02		0.24					
9						T	0.02					
10					0.35							
11		0.12										
12							1.68					
13							0.07					
14												
15						0.10						
16						0.72						
17												
18												
19												
20				0.03								
21												
22												
23												
24							0.06					
25				0.34		0.12						
26				0.34		0.94						
27				0.29								
28		0.51					0.05					
29		0.25										
30												
31				0.74								
Totals	0.00	1.47	0.36	1.74	0.41	1.88	3.37	0.00	0.77	0.00	0.00	0.00
											Water Year Total:	10.00

NOTE: All Values are in units of inches, unless otherwise specified.

LEGEND: A - Acculated Total  
 E - Estimated  
 T - Trace, unmeasurable amount of rain

Data Revised: March 2011

**PRECIPITATION**

**DAILY RAINFALL SUMMARY**

**293B Los Angeles Reservoir**

Gage Type: Standard 8 inch diameter

Observation Time: 800

Latitude 34-17-18

Longitude: 118-28-54

Elevation: 1150 Feet

Water Year from 10/01/1998 to 09/30/1999

Day	Oct	Nov	Dec	Jan	Feb	Mar	Apr	May	Jun	Jul	Aug	Sep
1												
2			0.25				0.23		0.13			
3									0.38			
4			0.05		0.32				0.10			
5			0.05		0.90							
6			0.19				1.14					
7							0.72					
8		0.93			0.02		0.02					
9						0.19	0.05					
10						0.15						
11		0.10										
12												
13							1.00					
14												
15						0.24						
16						0.38						
17												
18												
19												
20				0.34		0.54		0.01				
21												
22								0.04				T
23								0.01				
24							0.15					
25				0.75								
26				0.36								
27				0.39								
28		0.54										
29		0.10										
30	0.13											
31				0.72								
Totals	0.13	1.67	0.54	2.56	1.24	1.50	3.31	0.06	0.61	0.00	0.00	0.00
											Water Year Total:	11.62

NOTE: All Values are in units of inches, unless otherwise specified.

LEGEND: A - Acculated Total  
 E - Estimated  
 T - Trace, unmeasurable amount of rain

Data Revised: March 2011

**PRECIPITATION**

**DAILY RAINFALL SUMMARY**

**294B Sierra Madre-Mira Monte Pumping Plant**

Gage Type: Standard 8 inch diameter

Observation Time: 800

Latitude 34-10-11

Longitude: 118-02-51

Elevation: 985 Feet

Water Year from 10/01/1998 to 09/30/1999

Day	Oct	Nov	Dec	Jan	Feb	Mar	Apr	May	Jun	Jul	Aug	Sep
1					0.45		0.02	0.06				
2			0.07				0.12		1.00			
3									0.35			
4			0.10			0.13			0.08			
5			0.03		0.26							
6			0.16		0.08		0.34					
7							1.75					
8		0.56					0.11					
9					0.05							
10					1.10							
11		0.07										
12							0.93					
13							0.14					
14												
15						0.06						
16						0.75						
17												
18												
19			0.08									
20			0.05	0.20		0.09						
21				0.09		0.18						
22												
23							0.10	0.31				
24							0.05					
25				0.56		0.02						
26				0.19		0.37						
27				0.72								
28		0.55										
29		0.54					0.05					
30												
31				0.15								
Totals	0.00	1.72	0.49	1.91	1.94	1.60	3.61	0.37	1.43	0.00	0.00	0.00
											Water Year Total:	13.07

NOTE: All Values are in units of inches, unless otherwise specified.

LEGEND: A - Acculated Total  
 E - Estimated  
 T - Trace, unmeasurable amount of rain

Data Revised: March 2011

**PRECIPITATION**

**DAILY RAINFALL SUMMARY**

**298C Gorman - Sheriff**

Gage Type: Daily Automatic (DPW)

Observation Time: 2400

Latitude 34-47-47

Longitude: 118-51-27

Elevation: 3835 Feet

Water Year from 10/01/1998 to 09/30/1999

Day	Oct	Nov	Dec	Jan	Feb	Mar	Apr	May	Jun	Jul	Aug	Sep
1			0.64				0.04		0.04			
2			0.04				0.04	0.08				
3			0.04					0.04				
4			0.04									
5			0.08		0.08							
6			0.04				0.12					
7			0.04			0.04	0.16					
8		0.24										
9		0.16			0.20	0.04						
10					0.08							
11		0.20			0.08		0.16					
12							1.72			0.88		
13										0.04		
14												
15				0.08		0.76						
16				0.04								
17												
18												
19				1.00								
20				0.76		0.40						
21			0.04	0.08	0.16	0.08						0.04
22				0.20			0.04					0.04
23												0.04
24												
25						0.56						
26				0.60		0.08						
27												
28		0.92										
29		0.08										
30							0.04					
31						0.04						
Totals	0.00	1.60	0.96	2.76	0.60	2.00	2.32	0.12	0.04	0.92	0.00	0.12
											Water Year Total:	11.44

NOTE: All Values are in units of inches, unless otherwise specified.

LEGEND: A - Acculated Total  
 E - Estimated  
 T - Trace, unmeasurable amount of rain

Data Revised: March 2011

**PRECIPITATION**

**DAILY RAINFALL SUMMARY**

**299F Little Rock - Schwab**

Gage Type: Standard 8 inch diameter (DPW)

Observation Time: 800

Latitude 34-32-12

Longitude: 117-58-43

Elevation: 2800 Feet

Water Year from 10/01/1998 to 09/30/1999

Day	Oct	Nov	Dec	Jan	Feb	Mar	Apr	May	Jun	Jul	Aug	Sep
1			0.04									
2			0.04						0.25			
3												
4												
5												
6			0.05				0.05					
7							0.20					
8					0.10							
9		0.01			T	T	0.03					
10					0.14							
11		0.32				T	0.06			0.15		
12							0.31			0.04		
13										0.03		
14												
15						0.04						
16												
17												
18												
19												
20						0.02						
21												
22												
23								0.10				
24						0.01						
25				0.27								
26				0.06								
27				0.05								
28		0.14										
29		T										
30	0.02						T					
31				0.05		T						
Totals	0.02	0.47	0.13	0.43	0.24	0.07	0.65	0.10	0.25	0.22	0.00	0.00
												Water Year Total: 2.58

NOTE: All Values are in units of inches, unless otherwise specified.

LEGEND: A - Acculated Total  
 E - Estimated  
 T - Trace, unmeasurable amount of rain

Data Revised: March 2011

**PRECIPITATION**

**DAILY RAINFALL SUMMARY**

**306H Zuma Beach**

Gage Type: Standard 8 inch diameter (DPW)

Observation Time: 800

Latitude 34-01-15

Longitude: 118-49-42

Elevation: 15 Feet

Water Year from 10/01/1998 to 09/30/1999

Day	Oct	Nov	Dec	Jan	Feb	Mar	Apr	May	Jun	Jul	Aug	Sep
1			0.95				0.05					
2			0.03						0.42			
3									0.08			
4			0.11									
5			0.23		0.30							
6			0.24				0.26					
7							0.27					
8		0.95			0.14							
9					0.40		0.02					
10							0.77					
11		0.15				0.20	0.49					
12												
13								0.02				
14												
15						0.71						
16												
17												
18												
19												
20				0.45		0.38						
21												T
22								0.25				0.02
23						0.20		0.30				
24				0.50								
25				0.39		0.90						
26				0.15								
27												
28		0.48										
29								0.02				
30												
31				0.35								
Totals	0.00	1.58	1.56	1.84	0.84	2.39	1.86	0.59	0.50	0.00	0.00	0.02
Water Year Total:												11.18

NOTE: All Values are in units of inches, unless otherwise specified.

LEGEND: A - Acculated Total  
 E - Estimated  
 T - Trace, unmeasurable amount of rain

Data Revised: March 2011

**PRECIPITATION**

**DAILY RAINFALL SUMMARY**

**321 Pine Canyon Patrol Station**

Gage Type: Daily Automatic (DPW)

Observation Time: 2400

Latitude 34-40-24

Longitude: 118-25-45

Elevation: 3286 Feet

Water Year from 10/01/1998 to 09/30/1999

Day	Oct	Nov	Dec	Jan	Feb	Mar	Apr	May	Jun	Jul	Aug	Sep
1			0.04									
2			0.12						0.04			
3									0.24			
4						0.02E	0.03E		0.04			
5					0.24							
6			0.13		0.04		0.35E					
7							1.43E					
8		0.08					0.26E					
9					1.16	0.05E	0.11E					
10					0.08	0.04E	0.04E					
11		0.12			0.04							
12						T						
13												
14												
15						0.01E						
16						0.26E						
17												
18												
19												
20				0.12		0.08E						
21			0.04			0.01E						
22												
23						0.01E						
24				0.28			0.04E					
25				0.68		0.08E	0.03E					
26				0.48		0.17E						
27				0.08								
28		0.56					0.07E					
29							0.02E					
30							0.11E					
31				0.84								
Totals	0.00	0.76	0.33	2.48	1.56	0.73	2.49	0.00	0.32	0.00	0.00	0.00
												Water Year Total: 8.67

NOTE: All Values are in units of inches, unless otherwise specified.

LEGEND: A - Acculated Total  
 E - Estimated  
 T - Trace, unmeasurable amount of rain

Data Revised: March 2011

**PRECIPITATION**

**DAILY RAINFALL SUMMARY**

**322 Munz Valley Ranch**

Gage Type: Standard 8 inch diameter (DPW)

Observation Time: 800

Latitude 34-42-50

Longitude: 118-21-15

Elevation: 2600 Feet

Water Year from 10/01/1998 to 09/30/1999

Day	Oct	Nov	Dec	Jan	Feb	Mar	Apr	May	Jun	Jul	Aug	Sep
1												
2												
3							0.10					
4			0.03									
5												
6			0.03				0.13					
7							0.13					
8						0.02						
9					0.70		0.14					
10												
11		0.38					0.28					
12							0.95					
13												
14												
15						0.06						
16												
17												
18												
19												
20												
21												
22												
23												
24												
25				0.67		0.14						
26				0.18								
27												
28												
29												
30		0.40										
31				0.35								
Totals	0.00	0.78	0.06	1.20	0.70	0.22	1.73	0.00	0.00	0.00	0.00	0.00
												Water Year Total: 4.69

NOTE: All Values are in units of inches, unless otherwise specified.

LEGEND: A - Acculated Total  
 E - Estimated  
 T - Trace, unmeasurable amount of rain

Data Revised: March 2011



**PRECIPITATION**

**DAILY RAINFALL SUMMARY**

**334B Cogswell Dam**

Gage Type: Standard 8 inch diameter (DPW)

Observation Time: 800

Latitude 34-14-37

Longitude: 117-57-35

Elevation: 2300 Feet

Water Year from 10/01/1998 to 09/30/1999

Day	Oct	Nov	Dec	Jan	Feb	Mar	Apr	May	Jun	Jul	Aug	Sep
1					0.33		T	0.06				
2			0.02				0.15		0.99			
3			T				0.01		0.20			
4			0.19			T	0.01		0.03			
5			0.09		0.16							
6			0.17		0.20		0.05					
7							1.76					
8		0.84					0.31					
9		0.02				T	0.25			0.01		
10					1.05	0.10						
11		0.12				0.02						
12		0.08				T	1.81			T		
13							0.14					
14												
15						0.15						
16						1.02						
17												
18												
19						0.01						
20			0.03	0.08		0.02						
21				T		0.26						
22								0.03				
23								0.11				
24						0.01	0.09					
25	0.02			0.68		0.03	T					
26				0.31		0.40						
27				0.90		T						
28		1.30										
29		0.73					0.09					
30		0.02					0.05					
31				0.43								
Totals	0.02	3.11	0.50	2.40	1.74	2.02	4.72	0.20	1.22	0.01	0.00	0.00
												Water Year Total: 15.94

NOTE: All Values are in units of inches, unless otherwise specified.

LEGEND: A - Acculated Total  
 E - Estimated  
 T - Trace, unmeasurable amount of rain

Data Revised: March 2011

**PRECIPITATION**

**DAILY RAINFALL SUMMARY**

**336 Silver Lake Reservoir**

Gage Type: Standard 8 inch diameter

Observation Time: 800

Latitude 34-06-08

Longitude: 118-15-54

Elevation: 445 Feet

Water Year from 10/01/1998 to 09/30/1999

Day	Oct	Nov	Dec	Jan	Feb	Mar	Apr	May	Jun	Jul	Aug	Sep
1					0.04							
2			0.35				0.07		0.70			
3							T		0.24			
4												
5					0.17							
6					0.02		0.29					
7					T		0.66					
8		0.55			0.03		0.31					
9							0.08					
10					0.39							
11		0.09										
12							1.00					
13							0.07					
14												
15												
16												
17												
18												
19												
20						0.24						
21												
22												
23												0.15
24				0.49			0.03					
25				0.40		0.07						
26						0.56						
27												
28		0.49										
29		0.30										
30	T											
31				0.74								
Totals	0.00	1.43	0.35	1.63	0.65	0.87	2.51	0.00	0.94	0.00	0.00	0.15
												Water Year Total: 8.53

NOTE: All Values are in units of inches, unless otherwise specified.

LEGEND: A - Acculated Total  
 E - Estimated  
 T - Trace, unmeasurable amount of rain

Data Revised: March 2011

**PRECIPITATION**

**DAILY RAINFALL SUMMARY**

**338C Mt. Wilson-Observatory**

Gage Type: Standard 8 inch diameter

Observation Time: 800

Latitude 34-14-07

Longitude: 118-04-28

Elevation: 5709 Feet

Water Year from 10/01/1998 to 09/30/1999

Day	Oct	Nov	Dec	Jan	Feb	Mar	Apr	May	Jun	Jul	Aug	Sep
1			0.02				0.14					
2			0.05				0.16		0.86			
3							0.01		0.36			
4			0.27			0.02	T		0.01			
5			0.12		0.21							
6			0.18		0.03		1.58					
7						0.01	1.39					
8		0.96					0.03			0.03		
9		0.01			1.32	0.13	0.63					
10					0.67							
11		0.33				0.13						
12												
13										0.06		
14												
15						1.51						
16						T						
17												
18												
19			0.03									
20			0.02	0.36		0.34						
21			0.01									
22												
23								0.17				
24												
25	0.08			0.81		0.55						
26				1.19		0.02						
27				0.66								
28		2.06										
29		0.01										
30												
31				0.65		T						
Totals	0.08	3.37	0.70	3.67	2.23	2.71	3.94	0.17	1.23	0.09	0.00	0.00
											Water Year Total:	18.19

NOTE: All Values are in units of inches, unless otherwise specified.

LEGEND: A - Acculated Total  
 E - Estimated  
 T - Trace, unmeasurable amount of rain

Data Revised: March 2011

**PRECIPITATION**

**DAILY RAINFALL SUMMARY**

**356C Spadra-Lanterman Hospital**

Gage Type: Daily Automatic (DPW)

Observation Time: 2400

Latitude 34-02-31

Longitude: 117-48-35

Elevation: 690 Feet

Water Year from 10/01/1998 to 09/30/1999

Day	Oct	Nov	Dec	Jan	Feb	Mar	Apr	May	Jun	Jul	Aug	Sep
1							0.39		0.38			
2			0.04				T					
3			0.02									
4						0.08			0.01			
5					0.67							
6							0.23					
7			0.31				0.47					
8		0.52			0.02					0.06		
9					0.11	0.04	0.12			T		
10					0.23							
11		0.05				0.04						
12							0.51					
13												
14												
15						0.49						
16												
17												
18												
19												
20				0.19		A						
21			0.16			A						
22						0.10A						
23												
24	T						0.01					
25				0.27		0.17						
26				0.25		0.04						
27				0.46								
28		0.34					0.01					
29												
30							0.04					
31				0.22								
Totals	0.00	0.91	0.53	1.39	1.03	0.96	1.78	0.00	0.39	0.06	0.00	0.00
										Water Year Total:		7.05

NOTE: All Values are in units of inches, unless otherwise specified.

LEGEND: A - Acculated Total  
 E - Estimated  
 T - Trace, unmeasurable amount of rain

Data Revised: March 2011

**PRECIPITATION**

**DAILY RAINFALL SUMMARY**

**372 San Francisquito Power House No.2**

Gage Type: Daily Automatic (DPW)

Observation Time: 2400

Latitude 34-32-02

Longitude: 118-31-27

Elevation: 1580 Feet

Water Year from 10/01/1998 to 09/30/1999

Day	Oct	Nov	Dec	Jan	Feb	Mar	Apr	May	Jun	Jul	Aug	Sep
1			0.35				T					
2									0.10			
3			0.01						0.01			
4									0.14			
5					0.21				0.05			
6			0.10				0.70					
7					T		0.20					
8		0.50			T		T					
9		0.04			0.50	0.30	0.12					
10					0.01							
11		0.07				0.01	0.40					
12		T					1.10					
13												
14												
15						0.51						
16												
17												
18												
19												
20				0.10		0.44						
21						T						
22							T					
23							0.08					
24												
25				1.10		0.20						
26				0.40								
27				0.25								
28		0.57										
29		0.02										
30	0.03											
31				0.40		0.10						
Totals	0.03	1.20	0.46	2.25	0.72	1.56	2.60	0.00	0.30	0.00	0.00	0.00
											Water Year Total:	9.12

NOTE: All Values are in units of inches, unless otherwise specified.

LEGEND: A - Acculated Total  
 E - Estimated  
 T - Trace, unmeasurable amount of rain

Data Revised: March 2011

**PRECIPITATION**

**DAILY RAINFALL SUMMARY**

**373C Briggs Terrace**

Gage Type: Standard 8 inch diameter (DPW)

Observation Time: 800

Latitude 34-14-17

Longitude: 118-13-27

Elevation: 2200 Feet

Water Year from 10/01/1998 to 09/30/1999

Day	Oct	Nov	Dec	Jan	Feb	Mar	Apr	May	Jun	Jul	Aug	Sep
1			0.17				0.24					
2							0.24		1.08			
3			0.05						0.32			
4						0.10			0.08			
5					0.20							
6							1.25					
7		0.48										
8			0.17				0.21					
9					1.18							
10												
11		0.15				0.12	0.41					
12							0.97					
13												
14												
15						1.02						
16												
17												
18												
19			0.25									
20			0.03	0.31								
21												
22							T	0.24				
23	0.03					0.01	0.04	0.16				0.05
24												
25				1.13		0.53						
26				1.12								
27												
28		1.55					T					
29		0.04						0.05				
30							0.08					
31				1.97								
Totals	0.03	2.22	0.67	4.53	1.38	1.78	3.44	0.45	1.48	0.00	0.00	0.05
										Water Year Total:		16.03

NOTE: All Values are in units of inches, unless otherwise specified.

LEGEND: A - Acculated Total  
 E - Estimated  
 T - Trace, unmeasurable amount of rain

Data Revised: March 2011

**PRECIPITATION**

**DAILY RAINFALL SUMMARY**

**377F Lake Sherwood Estates**

Gage Type: Standard 8 inch diameter

Observation Time: 800

Latitude 34-08-26

Longitude: 118-52-31

Elevation: 960 Feet

Water Year from 10/01/1998 to 09/30/1999

Day	Oct	Nov	Dec	Jan	Feb	Mar	Apr	May	Jun	Jul	Aug	Sep
1			0.01									
2			0.43						0.22			
3									0.09			
4			0.02									
5			0.20		0.17							
6			0.12		0.06		0.26					
7							0.15					
8		0.42			0.01		0.06					
9					0.01		0.04					
10					0.90							
11		0.13				0.04	0.01					
12		0.03				0.14	1.59					
13												
14												
15					0.17	0.63						
16					0.06	0.31						
17												
18					0.01							
19				0.01	0.01							
20			0.01	0.09	0.90	0.51						
21				0.04								
22												
23										0.02		
24	T					0.14		0.05				
25				0.51		0.19						
26				0.24		1.36						
27				0.26								
28		0.60										
29		0.15										
30												
31				0.66								
Totals	0.00	1.33	0.79	1.81	2.30	3.32	2.11	0.05	0.31	0.02	0.00	0.00
												Water Year Total: 12.04

NOTE: All Values are in units of inches, unless otherwise specified.

LEGEND: A - Acculated Total  
 E - Estimated  
 T - Trace, unmeasurable amount of rain

Data Revised: March 2011

**PRECIPITATION**

**DAILY RAINFALL SUMMARY**

**379B San Gabriel-East Fork**

Gage Type: Daily Automatic (DPW)

Observation Time: 2400

Latitude 34-14-09

Longitude: 117-48-18

Elevation: 1600 Feet

Water Year from 10/01/1998 to 09/30/1999

Day	Oct	Nov	Dec	Jan	Feb	Mar	Apr	May	Jun	Jul	Aug	Sep
1			0.04		0.08		0.08	0.03E	0.04			
2			0.04		0.08		0.06E		0.56			
3			0.04		0.04		0.10E	0.06E	0.04			
4					0.04		0.03E		0.04			
5					0.08				0.04			
6							0.87E					
7		0.28					0.59E					
8		0.20					0.28E					
9		0.04				0.04						
10												
11		0.16				0.04				0.24		
12							0.75E					
13							0.37E					
14												
15						0.20						
16						0.16						
17						0.08						
18						0.04						
19			0.04									
20						0.04						
21												
22						0.04	0.06E	0.04E				
23							0.09E	0.03E				
24						0.04	0.07E					
25				0.56								
26				0.40								
27				0.32		0.04						
28		1.08		0.28								
29		0.04		0.20			0.57E					
30				0.08			0.19E					
31				0.04		0.04						
Totals	0.00	1.80	0.16	1.88	0.32	0.76	4.11	0.16	0.72	0.24	0.00	0.00
											Water Year Total:	10.15

NOTE: All Values are in units of inches, unless otherwise specified.

LEGEND: A - Acculated Total  
 E - Estimated  
 T - Trace, unmeasurable amount of rain

Data Revised: March 2011



**PRECIPITATION**

**DAILY RAINFALL SUMMARY**

**387B Covina City Yard**

Gage Type: Standard 8 inch diameter

Observation Time: 800

Latitude 34-05-02

Longitude: 117-53-57

Elevation: 508 Feet

Water Year from 10/01/1998 to 09/30/1999

Day	Oct	Nov	Dec	Jan	Feb	Mar	Apr	May	Jun	Jul	Aug	Sep
1								T				
2			0.03						0.69			
3									0.06			
4			0.05			0.05						
5					0.41							
6			0.15		0.01		0.46					
7							0.25					
8		0.54			T		0.17			0.05		
9					0.01	0.01	0.02					
10					0.42							
11		0.06				T	0.12					
12							0.51					
13												
14												
15						0.51						
16												
17												
18												
19												
20			0.18	0.13		0.01						
21				0.01		0.11						
22							T	0.04				
23							T	0.03				
24							0.05					
25	0.01			0.29		0.01						
26				0.33		0.20						
27				0.57								
28		0.38										
29		0.30						T				
30							0.07					
31				0.14								
Totals	0.01	1.28	0.41	1.47	0.85	0.90	1.65	0.07	0.75	0.05	0.00	0.00
												Water Year Total: 7.44

NOTE: All Values are in units of inches, unless otherwise specified.

LEGEND: A - Acculated Total  
 E - Estimated  
 T - Trace, unmeasurable amount of rain

Data Revised: March 2011

**PRECIPITATION**

**DAILY RAINFALL SUMMARY**

**388D**     **Paramount-County Fire Department**

Gage Type: 8.81 inch diameter (DPW)

Observation Time:     800

Latitude 33-53-50

Longitude: 118-10-02

Elevation: 80     Feet

Water Year from 10/01/1998 to 09/30/1999

Day	Oct	Nov	Dec	Jan	Feb	Mar	Apr	May	Jun	Jul	Aug	Sep
1					0.08							
2			0.36						0.81			
3												
4									0.11			
5												
6							0.02					
7		1.33	0.84									
8		T								0.06		
9					0.23		0.99					
10					0.44							
11		0.03										
12		0.01				0.17	2.05					
13												
14												
15												
16						0.76						
17												
18												
19												
20						0.24						
21				0.47		0.01						
22												
23												
24												
25												
26						0.69						
27												
28				1.44								
29		0.61										
30												
31				0.18								
Totals	0.00	1.98	1.20	2.09	0.75	1.87	3.06	0.00	0.92	0.06	0.00	0.00
										Water Year Total:		11.93

NOTE: All Values are in units of inches, unless otherwise specified.

LEGEND:     A - Acculated Total  
               E - Estimated  
               T - Trace, unmeasurable amount of rain

Data Revised: March 2011

**PRECIPITATION**

**DAILY RAINFALL SUMMARY**

**390B Morris Dam**

Gage Type: Standard 8 inch diameter

Observation Time: 800

Latitude 34-10-53

Longitude: 117-52-43

Elevation: 1210 Feet

Water Year from 10/01/1998 to 09/30/1999

Day	Oct	Nov	Dec	Jan	Feb	Mar	Apr	May	Jun	Jul	Aug	Sep
1					0.17		0.08	0.07				
2			0.08				0.05		0.94			
3									0.26			
4			0.10			0.13	0.01		0.03			
5			0.14		0.64							
6			0.09		0.11		0.02					
7							0.89					
8		0.70					0.23					
9					0.04	T	0.23	0.02		0.02		
10					1.25	0.06						
11		0.07										
12		0.04				0.03	0.76					
13							0.06					
14												
15						0.05						
16						0.45						
17												
18												
19			0.02		0.02							
20			0.19	0.11		0.01						
21				0.05		0.21						
22								0.11				
23							0.05	0.03				
24							0.13					
25	0.02			0.85		0.02	0.12					
26				0.35		0.27						
27				0.64								
28		0.75										
29		0.38					0.48					
30							0.08					
31				0.17								
Totals	0.02	1.94	0.62	2.17	2.23	1.23	3.19	0.23	1.23	0.02	0.00	0.00
												Water Year Total: 12.88

NOTE: All Values are in units of inches, unless otherwise specified.

LEGEND: A - Acculated Total  
 E - Estimated  
 T - Trace, unmeasurable amount of rain

Data Revised: March 2011

**PRECIPITATION**

**DAILY RAINFALL SUMMARY**

**391C Montebello-Fire Department**

Gage Type: 8.81 inch diameter (DPW)

Observation Time: 800

Latitude 34-01-08

Longitude: 118-06-15

Elevation: 250 Feet

Water Year from 10/01/1998 to 09/30/1999

Day	Oct	Nov	Dec	Jan	Feb	Mar	Apr	May	Jun	Jul	Aug	Sep
1							0.20					
2			0.27						0.01			
3												
4												
5			0.10		0.34				0.02			
6							0.90					
7							0.32					
8												
9					0.48							
10												
11							0.14					
12							1.50					
13												
14												
15												
16												
17												
18												
19												
20						0.22						
21				0.30								
22												
23			0.23					0.11				
24												
25				0.48		0.10						
26				0.46								
27				0.48								
28		1.00										
29												
30												
31				0.38								
Totals	0.00	1.00	0.60	2.10	0.82	0.32	3.06	0.11	0.03	0.00	0.00	0.00
	Water Year Total:											8.04

NOTE: All Values are in units of inches, unless otherwise specified.

LEGEND: A - Acculated Total  
 E - Estimated  
 T - Trace, unmeasurable amount of rain

Data Revised: March 2011

**PRECIPITATION**

**DAILY RAINFALL SUMMARY**

**394 Highland Park**

Gage Type: Standard 8 inch diameter (DPW)

Observation Time: 800

Latitude 34-07-06

Longitude: 118-10-39

Elevation: 620 Feet

Water Year from 10/01/1998 to 09/30/1999

Day	Oct	Nov	Dec	Jan	Feb	Mar	Apr	May	Jun	Jul	Aug	Sep
1			0.13									
2							0.25		0.70			
3									0.21			
4												
5			0.11		0.24							
6			0.20				0.84					
7							0.58					
8		0.45								0.03		
9					0.60	0.09						
10							0.06					
11		0.09					0.27					
12							0.74					
13												
14												
15						0.48						
16												
17												
18												
19			T									
20						0.15						
21												
22							T	0.02				
23								0.15				
24							0.01					
25				0.47		0.51						
26												
27												
28		0.57										
29		0.01										
30							T					
31			T	0.66		T						
Totals	0.00	1.12	0.44	1.13	0.84	1.23	2.75	0.17	0.91	0.03	0.00	0.00
												Water Year Total: 8.62

NOTE: All Values are in units of inches, unless otherwise specified.

LEGEND: A - Acculated Total  
 E - Estimated  
 T - Trace, unmeasurable amount of rain

Data Revised: March 2011

**PRECIPITATION**

**DAILY RAINFALL SUMMARY**

**402F Cedar Springs**

Gage Type: Daily Automatic (DPW)

Observation Time: 2400

Latitude 34-21-21

Longitude: 117-52-34

Elevation: 6780 Feet

Water Year from 10/01/1998 to 09/30/1999

Day	Oct	Nov	Dec	Jan	Feb	Mar	Apr	May	Jun	Jul	Aug	Sep
1			0.04		0.40				0.20E			
2					0.08		0.18E		0.75E			
3									0.05E			
4												
5					0.24							
6					0.08							
7												
8		0.64					0.13E					
9					1.56		0.34E					
10												
11		0.20			0.04	0.05E						
12		0.32					0.66E			0.15E		
13										0.08E		
14												
15												
16						0.48E						
17						0.16E						
18												
19												
20				0.04		0.25E						
21												
22												
23												
24												
25	0.04			0.04		0.36E						
26												
27												
28		0.80										
29				0.36								
30												
31												
Totals	0.04	1.96	0.04	0.44	2.40	1.30	1.31	0.00	1.00	0.23	0.00	0.00
										Water Year Total:		8.72

NOTE: All Values are in units of inches, unless otherwise specified.

LEGEND: A - Acculated Total  
 E - Estimated  
 T - Trace, unmeasurable amount of rain

Data Revised: March 2011

**PRECIPITATION**

**DAILY RAINFALL SUMMARY**

**405B Soledad Canyon**

Gage Type: Standard 8 inch diameter (DPW)

Observation Time: 800

Latitude 34-26-23

Longitude: 118-17-33

Elevation: 2150 Feet

Water Year from 10/01/1998 to 09/30/1999

Day	Oct	Nov	Dec	Jan	Feb	Mar	Apr	May	Jun	Jul	Aug	Sep
1									0.02			
2									0.12			
3									0.14			
4												
5												
6							0.45					
7							0.26					
8		0.05	0.05				0.11					
9					0.51							
10												
11		0.25	0.25			0.02	0.21					
12							0.45					
13							0.02					
14												
15						0.35						
16												
17												
18												
19						0.21						
20												
21												0.04
22												
23												
24								0.06				
25				0.65		0.22						
26				0.45								
27				0.03								
28		0.77	0.77									
29		0.01	0.01									
30												
31				0.65								
Totals	0.00	1.08	1.08	1.78	0.51	0.80	1.50	0.06	0.28	0.00	0.00	0.04
										Water Year Total:		7.13

NOTE: All Values are in units of inches, unless otherwise specified.

LEGEND: A - Acculated Total  
 E - Estimated  
 T - Trace, unmeasurable amount of rain

Data Revised: March 2011

**PRECIPITATION**

**DAILY RAINFALL SUMMARY**

**406C West Azusa**

Gage Type: Standard 8 inch diameter (DPW)

Observation Time: 800

Latitude 34-06-53

Longitude: 117-54-56

Elevation: 505 Feet

Water Year from 10/01/1998 to 09/30/1999

Day	Oct	Nov	Dec	Jan	Feb	Mar	Apr	May	Jun	Jul	Aug	Sep
1					0.08		0.01	0.05				
2			0.04				0.03		0.74			
3									0.09			
4						0.07						
5					0.33							
6			0.12		0.02							
7							0.75					
8							0.23					
9		0.47			0.01		0.10			0.01		
10					0.51	0.03						
11		0.07										
12							0.60					
13							0.03					
14												
15												
16						0.50						
17												
18												
19			0.01									
20			0.25	0.12								
21				0.02		0.10						
22								0.03				
23								0.14				
24							0.04					
25				0.40								
26				0.28		0.20						
27				0.66								
28		0.74										
29		0.14										
30												
31				0.20								
Totals	0.00	1.42	0.42	1.68	0.95	0.90	1.79	0.22	0.83	0.01	0.00	0.00
												Water Year Total: 8.22

NOTE: All Values are in units of inches, unless otherwise specified.

LEGEND: A - Acculated Total  
 E - Estimated  
 T - Trace, unmeasurable amount of rain

Data Revised: March 2011



**PRECIPITATION**

**DAILY RAINFALL SUMMARY**

**409B Pyramid Reservoir**

Gage Type: Standard 8 inch diameter

Observation Time: 800

Latitude 34-40-34

Longitude: 118-46-47

Elevation: 2505 Feet

Water Year from 10/01/1998 to 09/30/1999

Day	Oct	Nov	Dec	Jan	Feb	Mar	Apr	May	Jun	Jul	Aug	Sep
1			0.28									
2			0.13						0.05			
3									0.02			
4			0.10				0.07		0.40			
5			0.02		T							
6			0.03		0.06		0.41					
7					0.01		0.32					
8		0.05					0.04					
9		0.01			0.05	0.03	0.05					
10					0.30							
11		0.02			T	0.04	0.18					
12		0.04				0.02	2.40			0.46		
13							0.09			1.04		
14												
15						0.41						
16						0.52						
17												
18												
19												
20						0.45						
21			0.01			0.02						
22							T					T
23												0.14
24				0.05								
25				1.51		0.17						
26				0.03		0.31						
27				0.14								
28		1.31										
29		0.30										
30							T					
31				0.65								
Totals	0.00	1.73	0.57	2.38	0.42	1.97	3.56	0.00	0.47	1.50	0.00	0.14
										Water Year Total:		12.74

NOTE: All Values are in units of inches, unless otherwise specified.

LEGEND: A - Acculated Total  
 E - Estimated  
 T - Trace, unmeasurable amount of rain

Data Revised: March 2011

**PRECIPITATION**

**DAILY RAINFALL SUMMARY**

**415 Signal Hill-City Hall**

Gage Type: Daily Automatic (DPW)

Observation Time: 2400

Latitude 33-47-49

Longitude: 118-10-03

Elevation: 140 Feet

Water Year from 10/01/1998 to 09/30/1999

Day	Oct	Nov	Dec	Jan	Feb	Mar	Apr	May	Jun	Jul	Aug	Sep
1					0.45							
2			0.71						0.65			
3												
4												
5					0.22							
6			0.50				0.41					
7							0.12					
8					0.02					0.10		
9		0.65			0.16	0.05						
10												
11						0.25						
12							1.75					
13												
14												
15						0.71						
16						0.05						
17												
18												
19												
20				0.22								
21			0.07									
22						0.17						
23												
24												
25				0.46		0.46						
26						0.04						
27												
28												
29												
30												
31												
Totals	0.00	0.65	1.28	0.68	0.85	1.73	2.28	0.00	0.65	0.10	0.00	0.00
												Water Year Total: 8.22

NOTE: All Values are in units of inches, unless otherwise specified.

LEGEND: A - Acculated Total  
 E - Estimated  
 T - Trace, unmeasurable amount of rain

Data Revised: March 2011

**PRECIPITATION**

**DAILY RAINFALL SUMMARY**

**425B San Gabriel Dam**

Gage Type: Daily Automatic (DPW)

Observation Time: 2400

Latitude 34-12-19

Longitude: 117-51-38

Elevation: 1481 Feet

Water Year from 10/01/1998 to 09/30/1999

Day	Oct	Nov	Dec	Jan	Feb	Mar	Apr	May	Jun	Jul	Aug	Sep
1					0.27		0.03	0.06				
2			0.05				0.08		0.94			
3									0.34			
4			0.17			0.07	0.05		0.03			
5			0.05		0.62	T			T			
6			0.12		0.26		0.01					
7							0.81					
8		0.72			T		0.62					
9		T			T		0.28			0.02		
10					1.26	0.05						
11		0.06				0.02						
12		0.08				0.01	1.13					
13							0.10					
14												
15						0.05						
16						0.68						
17						0.01						
18												
19			0.01		T							
20			0.12	0.03								
21				T		0.17	T					
22							T	0.03				
23							0.04	0.01				
24							0.10					
25	T			0.81		T	0.10					
26				0.52		0.25						
27				0.87								
28		0.69		T								
29		0.53					0.58					
30							0.13					
31				0.20								
Totals	0.00	2.08	0.52	2.43	2.41	1.31	4.06	0.10	1.31	0.02	0.00	0.00
												Water Year Total: 14.24

NOTE: All Values are in units of inches, unless otherwise specified.

LEGEND: A - Acculated Total  
 E - Estimated  
 T - Trace, unmeasurable amount of rain

Data Revised: March 2011

**PRECIPITATION**

**DAILY RAINFALL SUMMARY**

**434 Agoura**

Gage Type: Daily Automatic (DPW)

Observation Time: 2400

Latitude 34-08-08

Longitude: 118-45-08

Elevation: 800 Feet

Water Year from 10/01/1998 to 09/30/1999

Day	Oct	Nov	Dec	Jan	Feb	Mar	Apr	May	Jun	Jul	Aug	Sep
1			0.20									
2									0.16			
3			0.04						0.04			
4			0.19		0.04							
5					0.08							
6			0.08									
7							1.07					
8		0.24					0.08					
9					0.31	0.08						
10												
11		0.15				0.16	1.37					
12							0.04					
13							0.04					
14												
15						0.51						
16						0.04						
17												
18												
19						0.04						
20				0.08		0.39						
21												
22												
23							0.04					
24				0.20								
25				0.35		0.99						
26				0.32								
27												
28		0.79										
29												
30												
31				0.59								
Totals	0.00	1.18	0.51	1.54	0.43	2.21	2.64	0.00	0.20	0.00	0.00	0.00
												Water Year Total: 8.71

NOTE: All Values are in units of inches, unless otherwise specified.

LEGEND: A - Acculated Total  
 E - Estimated  
 T - Trace, unmeasurable amount of rain

Data Revised: March 2011

**PRECIPITATION**

**DAILY RAINFALL SUMMARY**

**435 Monte Nido**

Gage Type: Daily Automatic (DPW)

Observation Time: 2400

Latitude 34-04-41

Longitude: 118-41-35

Elevation: 600 Feet

Water Year from 10/01/1998 to 09/30/1999

Day	Oct	Nov	Dec	Jan	Feb	Mar	Apr	May	Jun	Jul	Aug	Sep
1			0.43									
2									0.03			
3			0.04						0.08			
4			0.12		0.43							
5					0.04							
6			0.23									
7		0.04					1.07					
8		0.59					0.08					
9					1.02	0.04						
10												
11		0.16				0.12	1.37					
12						0.04	0.04					
13							0.04					
14									0.16			
15						0.83						
16						0.04						
17												
18												
19				0.04		0.04						
20				0.04		0.43						
21												
22										E		
23						0.04	0.04					
24				0.08								
25				0.24		0.94						
26				0.55								
27										E		
28		0.75				0.04				E		
29										E		
30												
31				0.51								
Totals	0.00	1.54	0.82	1.46	1.49	2.56	2.64	0.00	0.27	0.00	0.00	0.00
											Water Year Total:	10.78

NOTE: All Values are in units of inches, unless otherwise specified.

LEGEND: A - Acculated Total  
 E - Estimated  
 T - Trace, unmeasurable amount of rain

Data Revised: March 2011

**PRECIPITATION**

**DAILY RAINFALL SUMMARY**

**436C Hansen Dam**

Gage Type: Daily Automatic (DPW)

Observation Time: 2400

Latitude 34-16-08

Longitude: 118-23-59

Elevation: 1110 Feet

Water Year from 10/01/1998 to 09/30/1999

Day	Oct	Nov	Dec	Jan	Feb	Mar	Apr	May	Jun	Jul	Aug	Sep
1			0.17				0.05					
2			0.01				0.19		0.54			
3									0.21			
4			0.02						0.05			
5			0.01		0.03							
6			0.10				0.35					
7							0.60					
8		0.36										
9					0.31	0.14	0.04					
10					0.02							
11		0.09				0.03	0.19					
12							0.53					
13												
14												
15						0.49						
16												
17												
18												
19												
20			0.01	0.17		0.35						
21			0.01									
22								0.03				
23								0.01				
24												
25				0.66		0.50						
26				0.26								
27				0.12								
28		0.59										
29	0.08											
30												
31				0.61								
Totals	0.08	1.04	0.33	1.82	0.36	1.51	1.95	0.04	0.80	0.00	0.00	0.00
												Water Year Total: 7.93

NOTE: All Values are in units of inches, unless otherwise specified.

LEGEND: A - Acculated Total  
 E - Estimated  
 T - Trace, unmeasurable amount of rain

Data Revised: March 2011

**PRECIPITATION**

**DAILY RAINFALL SUMMARY**

**442C Mescal Creek**

Gage Type: Standard 8 inch diameter (DPW)

Observation Time: 800

Latitude 34-29-05

Longitude: 117-44-10

Elevation: 3570 Feet

Water Year from 10/01/1998 to 09/30/1999

Day	Oct	Nov	Dec	Jan	Feb	Mar	Apr	May	Jun	Jul	Aug	Sep
1							0.07					
2									0.80			
3							T					
4												
5												
6			0.05				T					
7										T		
8		T								T		
9					0.07							
10												
11		0.43				0.02	0.15					
12							0.50			0.44		
13										0.10		
14												
15						0.05						
16												
17												
18												
19												
20						0.05						
21												
22												
23												
24												
25				0.25		0.10						
26				T				0.15				
27				0.20				0.25				
28		0.29										
29												
30		0.05					0.20					
31				0.05								
Totals	0.00	0.77	0.05	0.50	0.07	0.22	0.92	0.40	0.80	0.54	0.00	0.00
												Water Year Total: 4.27

NOTE: All Values are in units of inches, unless otherwise specified.

LEGEND: A - Acculated Total  
 E - Estimated  
 T - Trace, unmeasurable amount of rain

Data Revised: March 2011

**PRECIPITATION**

**DAILY RAINFALL SUMMARY**

**446 Aliso Canyon-Oat Mountain**

Gage Type: Daily Automatic (DPW)

Observation Time: 2400

Latitude 34-18-53

Longitude: 118-33-25

Elevation: 2367 Feet

Water Year from 10/01/1998 to 09/30/1999

Day	Oct	Nov	Dec	Jan	Feb	Mar	Apr	May	Jun	Jul	Aug	Sep
1			0.08									
2							0.11		0.43			
3			0.19						0.55			
4					0.19							
5					0.28							
6			0.20				0.87					
7		0.08					0.32					
8		1.02			0.24		0.15					
9					1.18	0.31						
10					0.04							
11		0.12				0.04	0.63					
12							0.16					
13												
14												
15						0.43						
16												
17												
18												
19				0.20								
20				0.27		0.60						
21			0.04									
22		0.12						0.12				
23							0.04					
24	0.04			0.08								
25				0.63		0.55						
26				0.71								
27				0.16								
28		0.71										
29	0.08	0.04										
30												
31				0.47								
Totals	0.12	2.09	0.51	2.52	1.93	1.93	2.28	0.12	0.98	0.00	0.00	0.00
										Water Year Total:		12.48

NOTE: All Values are in units of inches, unless otherwise specified.

LEGEND: A - Acculated Total  
 E - Estimated  
 T - Trace, unmeasurable amount of rain

Data Revised: March 2011



**PRECIPITATION**

**DAILY RAINFALL SUMMARY**

**447C Carbon Canyon**

Gage Type: Standard 8 inch diameter (DPW)

Observation Time: 800

Latitude 34-02-18

Longitude: 118-38-56

Elevation: 50 Feet

Water Year from 10/01/1998 to 09/30/1999

Day	Oct	Nov	Dec	Jan	Feb	Mar	Apr	May	Jun	Jul	Aug	Sep
1			0.59				0.20					
2												
3									0.50			
4												
5												
6			0.34		0.15		0.95					
7		1.43										
8							0.03					
9							0.02					
10					0.30							
11												
12							1.10					
13												
14												
15												
16												
17												
18												
19												
20						1.00						
21												
22												
23												
24												
25						0.92						
26				0.20								
27												
28												
29		0.40										
30												
31				0.31								
Totals	0.00	1.83	0.93	0.51	0.45	1.92	2.30	0.00	0.50	0.00	0.00	0.00
												Water Year Total: 8.44

NOTE: All Values are in units of inches, unless otherwise specified.

LEGEND: A - Acculated Total  
 E - Estimated  
 T - Trace, unmeasurable amount of rain

Data Revised: March 2011

**PRECIPITATION**

**DAILY RAINFALL SUMMARY**

**453D Devil's Gate Dam**

Gage Type: Daily Automatic (DPW)

Observation Time: 2400

Latitude 34-10-53

Longitude: 118-10-27

Elevation: 980 Feet

Water Year from 10/01/1998 to 09/30/1999

Day	Oct	Nov	Dec	Jan	Feb	Mar	Apr	May	Jun	Jul	Aug	Sep
1					0.59				T			
2			0.13				0.14		0.09			
3									0.20			
4			0.03			0.02			0.07			
5					0.13							
6					0.03							
7			0.12				1.15					
8							0.29					
9		0.51				T				0.01		
10					0.81	0.02						
11		0.04										
12							0.94			0.08		
13												
14												
15						0.02						
16						0.60						
17								T				
18												
19												
20				0.19								
21			0.04	0.04								
22						0.17						
23							0.09					
24								0.15				
25				0.71		0.02						
26				0.23		0.36						
27				0.68								
28		0.58										
29												
30		0.23					0.06					
31												
Totals	0.00	1.36	0.32	1.85	1.56	1.21	2.67	0.15	0.36	0.09	0.00	0.00
												Water Year Total: 9.57

NOTE: All Values are in units of inches, unless otherwise specified.

LEGEND: A - Acculated Total  
 E - Estimated  
 T - Trace, unmeasurable amount of rain

Data Revised: March 2011

**PRECIPITATION**

**DAILY RAINFALL SUMMARY**

**455B Lancaster-State Hwy Maintenance Sta.**

Gage Type: Standard 8 inch diameter (DPW)

Observation Time: 800

Latitude 34-40-57

Longitude: 118-08-02

Elevation: 2395 Feet

Water Year from 10/01/1998 to 09/30/1999

Day	Oct	Nov	Dec	Jan	Feb	Mar	Apr	May	Jun	Jul	Aug	Sep
1									0.10			
2												
3			0.04						0.07			
4												
5			0.02									
6							0.07					
7												
8												
9					0.46		0.15					
10												
11		0.10					0.18					
12		0.10					0.30			0.30		
13										0.40		
14										0.13		
15						0.04						
16												
17												
18												
19												
20			0.10	0.01								
21												0.01
22												
23							0.02	0.03				
24												
25				0.35		0.01						
26				0.03								
27				0.02								
28		0.23										
29												
30							0.01					
31						0.06						
Totals	0.00	0.43	0.16	0.41	0.46	0.11	0.73	0.03	0.17	0.83	0.00	0.01
										Water Year Total:		3.34

NOTE: All Values are in units of inches, unless otherwise specified.

LEGEND: A - Acculated Total  
 E - Estimated  
 T - Trace, unmeasurable amount of rain

Data Revised: March 2011

**PRECIPITATION**

**DAILY RAINFALL SUMMARY**

**462B Los AngelesHillcrest Country Club**

Gage Type: Standard 8 inch diameter (DPW)

Observation Time: 800

Latitude 34-02-54

Longitude: 118-24-06

Elevation: 185 Feet

Water Year from 10/01/1998 to 09/30/1999

Day	Oct	Nov	Dec	Jan	Feb	Mar	Apr	May	Jun	Jul	Aug	Sep
1					0.30							
2			0.23				0.03		0.84			
3									0.15			
4			0.03						0.02			
5					0.08							
6			0.30									
7							1.05					
8		1.07					0.29					
9					0.02	0.08						
10					0.31							
11		0.06										
12							1.56					
13												
14												
15												
16						0.72						
17												
18												
19												
20						0.18						
21						0.17						
22												
23												0.05
24												
25				0.30		0.06						
26				0.13		0.89						
27				0.51								
28		0.38										
29		0.30										
30	0.03											
31				0.20								
Totals	0.03	1.81	0.56	1.14	0.71	2.10	2.93	0.00	1.01	0.00	0.00	0.05
												Water Year Total: 10.34

NOTE: All Values are in units of inches, unless otherwise specified.

LEGEND: A - Acculated Total  
 E - Estimated  
 T - Trace, unmeasurable amount of rain

Data Revised: March 2011

**PRECIPITATION**

**DAILY RAINFALL SUMMARY**

**482 Los Angeles-U.S.C.**

Gage Type: Standard 8 inch diameter (DPW)

Observation Time: 800

Latitude 34-01-14

Longitude: 118-17-15

Elevation: 208 Feet

Water Year from 10/01/1998 to 09/30/1999

Day	Oct	Nov	Dec	Jan	Feb	Mar	Apr	May	Jun	Jul	Aug	Sep
1			0.21				0.06					
2			0.05						0.72			
3			0.04									
4			0.02		0.03	0.01			0.23			
5			0.10		0.13							
6						0.01	0.54					
7		0.70	0.26				0.29					
8							0.11			0.02		
9					0.30	0.09						
10					0.04							
11												
12							1.40			0.01		
13												
14												
15		0.10				0.53						
16												
17												
18												0.01
19												
20				0.20		0.24						
21												
22												
23												0.01
24												
25				0.34		0.60						
26				0.90								
27				0.16								
28							0.01					
29		0.44										
30												
31				0.49								
Totals	0.00	1.24	0.68	2.09	0.50	1.48	2.41	0.00	0.95	0.03	0.00	0.02
												Water Year Total: 9.40

NOTE: All Values are in units of inches, unless otherwise specified.

LEGEND: A - Acculated Total  
 E - Estimated  
 T - Trace, unmeasurable amount of rain

Data Revised: March 2011

**PRECIPITATION**

**DAILY RAINFALL SUMMARY**

**488B Kagel Canyon Patrol Station**

Gage Type: Standard 8 inch diameter (DPW)

Observation Time: 800

Latitude 34-17-45

Longitude: 118-22-30

Elevation: 1450 Feet

Water Year from 10/01/1998 to 09/30/1999

Day	Oct	Nov	Dec	Jan	Feb	Mar	Apr	May	Jun	Jul	Aug	Sep
1					0.30							
2			0.24									
3						0.52						
4												
5						1.17						
6			0.18									
7												
8		0.90E				0.30						
9												
10					0.82							
11		0.10E										
12					0.67							
13					0.56							
14												
15												
16					1.16							
17												
18												
19												
20				0.32E								
21					2.55							
22												
23					1.30							
24												
25				0.72E								
26				0.35E								
27				0.35E	0.46							
28		0.52E										
29		0.09E										
30	0.12E											
31				0.69E								
Totals	0.12	1.61	0.42	2.43	7.82	1.99	0.00	0.00	0.00	0.00	0.00	0.00
	Water Year Total:											14.39

NOTE: All Values are in units of inches, unless otherwise specified.

LEGEND: A - Acculated Total  
 E - Estimated  
 T - Trace, unmeasurable amount of rain

Data Revised: March 2011

**PRECIPITATION**

**DAILY RAINFALL SUMMARY**

**491D Pacific Palisades**

Gage Type: Standard 8 inch diameter (DPW)

Observation Time: 800

Latitude 34-02-22

Longitude: 118-31-43

Elevation: 293 Feet

Water Year from 10/01/1998 to 09/30/1999

Day	Oct	Nov	Dec	Jan	Feb	Mar	Apr	May	Jun	Jul	Aug	Sep
1			0.38						0.55			
2												
3			0.47									
4					0.12							
5												
6												
7					0.15		0.72					
8							0.07					
9					0.15	0.11						
10												
11							1.32					
12							0.03					
13												
14												
15						0.84						
16												
17												
18												
19				0.34		0.36						
20												
21												
22												
23												
24												
25				0.40								
26				0.44								
27		0.27										
28												
29												
30												
31				0.74								
Totals	0.00	0.27	0.85	1.92	0.42	1.31	2.14	0.00	0.55	0.00	0.00	0.00
											Water Year Total:	7.46

NOTE: All Values are in units of inches, unless otherwise specified.

LEGEND: A - Acculated Total  
 E - Estimated  
 T - Trace, unmeasurable amount of rain

Data Revised: March 2011

**PRECIPITATION**

**DAILY RAINFALL SUMMARY**

**492A Chilao - State Highway Maintenance Sta.**

Gage Type: Daily Automatic (DPW)

Observation Time: 2400

Latitude 34-19-05

Longitude: 118-00-30

Elevation: 5275 Feet

Water Year from 10/01/1998 to 09/30/1999

Day	Oct	Nov	Dec	Jan	Feb	Mar	Apr	May	Jun	Jul	Aug	Sep
1												
2					0.47		0.16		0.79			
3									0.03			
4					0.04		0.04					
5			0.08		0.04							
6							0.07					
7												
8		0.24					0.20					
9					0.59		1.03					
10			0.08									
11		0.19				0.04						
12		0.16			0.08		0.70					
13							0.40					
14												
15												
16						0.51						
17												
18												
19												
20				0.04								
21						0.36						
22												
23		0.12					0.12	0.12				
24				0.04								
25	0.04					0.43						
26				0.39								
27				0.04								
28		0.08		0.08								
29												
30							0.07					
31												
Totals	0.04	0.79	0.16	0.59	1.22	1.34	2.79	0.12	0.82	0.00	0.00	0.00
										Water Year Total:		7.87

NOTE: All Values are in units of inches, unless otherwise specified.

LEGEND: A - Acculated Total  
 E - Estimated  
 T - Trace, unmeasurable amount of rain

Data Revised: March 2011



**PRECIPITATION**

**DAILY RAINFALL SUMMARY**

**497 Claremont-Slaughter**

Gage Type: Standard 8 inch diameter (DPW)

Observation Time: 800

Latitude 34-07-35

Longitude: 117-43-55

Elevation: 1350 Feet

Water Year from 10/01/1998 to 09/30/1999

Day	Oct	Nov	Dec	Jan	Feb	Mar	Apr	May	Jun	Jul	Aug	Sep
1							0.04					
2									0.54			
3									0.09			
4			0.28		0.35	T						
5			0.16		0.55							
6			0.12				0.39					
7							0.78					
8		0.55			0.02		0.06			0.01		
9					0.31	0.02	0.15					
10					0.20							
11		0.08					1.05					
12		0.02				0.01						
13												
14												
15						0.45						
16												
17												
18												
19												
20			0.14	0.07		0.11						
21												
22												
23												
24												
25				0.55		0.13						
26				0.32								
27				0.87								
28		0.67					0.12					
29							0.05					
30							0.11					
31				0.23		0.04						
Totals	0.00	1.32	0.70	2.04	1.43	0.76	2.75	0.00	0.63	0.01	0.00	0.00
												Water Year Total: 9.64

NOTE: All Values are in units of inches, unless otherwise specified.

LEGEND: A - Acculated Total  
 E - Estimated  
 T - Trace, unmeasurable amount of rain

Data Revised: March 2011

**PRECIPITATION**

**DAILY RAINFALL SUMMARY**

**517B Lewis Ranch**

Gage Type: Daily Automatic (DPW)

Observation Time: 2400

Latitude 34-25-12

Longitude: 117-53-11

Elevation: 4615 Feet

Water Year from 10/01/1998 to 09/30/1999

Day	Oct	Nov	Dec	Jan	Feb	Mar	Apr	May	Jun	Jul	Aug	Sep
1			0.03				0.03		0.04			
2							0.27		0.68			
3												
4												
5			0.15		0.04							
6			0.12									
7							0.19					
8		0.08										
9					0.36							
10					0.08							
11		0.92										
12							0.89			0.17		
13										0.19		
14												
15						0.50						
16												
17												
18												
19												
20												
21												
22												
23												
24				0.04								
25				0.52		0.17						
26				0.12				T				
27				0.12				0.13				
28		1.08										
29		0.04										
30												
31				0.20								
Totals	0.00	2.12	0.30	1.00	0.48	0.67	1.38	0.13	0.72	0.36	0.00	0.00
										Water Year Total:		7.16

NOTE: All Values are in units of inches, unless otherwise specified.

LEGEND: A - Acculated Total  
 E - Estimated  
 T - Trace, unmeasurable amount of rain

Data Revised: March 2011

**PRECIPITATION**

**DAILY RAINFALL SUMMARY**

**542 Fairmont**

Gage Type: Standard 8 inch diameter

Observation Time: 800

Latitude 34-42-15

Longitude: 118-25-40

Elevation: 3050 Feet

Water Year from 10/01/1998 to 09/30/1999

Day	Oct	Nov	Dec	Jan	Feb	Mar	Apr	May	Jun	Jul	Aug	Sep
1			T		0.09		T					
2			0.02						T			
3			0.03						0.03			
4			T			0.02	0.03		0.14			
5					0.01				0.01			
6					0.01		0.35					
7							0.54					
8		0.08					0.04					
9		T			0.04	0.05	0.11					
10					0.62	0.04	0.04					
11		0.02										
12						T	1.43					
13		0.19					0.26			0.41		
14												
15						0.01						
16						0.26						
17												
18												
19												
20				0.04		0.08						
21				0.02		0.01						
22												
23						0.01		T				
24				0.01			0.04					
25				0.90		0.08	0.03					
26				0.16		0.17						
27				0.27								
28		0.40					0.07					
29		0.17					0.02					
30		T					0.11					
31				0.80								
Totals	0.00	0.86	0.05	2.20	0.77	0.73	3.07	0.00	0.18	0.41	0.00	0.00
										Water Year Total:		8.27

NOTE: All Values are in units of inches, unless otherwise specified.

LEGEND: A - Acculated Total  
 E - Estimated  
 T - Trace, unmeasurable amount of rain

Data Revised: March 2011

**PRECIPITATION**

**DAILY RAINFALL SUMMARY**

**564C Llano**

Gage Type: Standard 8 inch diameter (DPW)

Observation Time: 800

Latitude 34-29-13

Longitude: 117-50-02

Elevation: 3390 Feet

Water Year from 10/01/1998 to 09/30/1999

Day	Oct	Nov	Dec	Jan	Feb	Mar	Apr	May	Jun	Jul	Aug	Sep
1					T		T					
2									0.50			
3			T						T			
4												
5			0.05									
6			0.05									
7							0.10					
8												
9												
10					0.10							
11		0.30								0.02		
12		0.12					0.13			0.16		
13							0.25					
14												
15												
16						0.10						
17												
18												
19												
20												
21												
22												
23												T
24							0.10					T
25								T				
26				0.40		0.18						
27				0.08				0.84				
28												
29		0.50										
30												
31												
Totals	0.00	0.92	0.10	0.48	0.10	0.28	0.58	0.84	0.50	0.18	0.00	0.00
												Water Year Total: 3.98

NOTE: All Values are in units of inches, unless otherwise specified.

LEGEND: A - Acculated Total  
 E - Estimated  
 T - Trace, unmeasurable amount of rain

Data Revised: March 2011

**PRECIPITATION**

**DAILY RAINFALL SUMMARY**

**591B Santa Anita Reservoir**

Gage Type: Standard 8 inch diameter

Observation Time: 800

Latitude 34-11-08

Longitude: 118-06-16

Elevation: 1205 Feet

Water Year from 10/01/1998 to 09/30/1999

Day	Oct	Nov	Dec	Jan	Feb	Mar	Apr	May	Jun	Jul	Aug	Sep
1							T	0.02				
2			0.11				0.17		1.00			
3							0.02		0.23			
4			0.17			0.09			0.02			
5			0.09		0.18							
6			0.21		0.04		0.22					
7							1.45					
8		0.50					0.27					
9					0.33					0.02		
10					0.95							
11		0.10										
12							1.10					
13							0.09					
14								0.05				
15						0.63						
16												
17												
18												
19			0.10									
20			0.03	0.25		0.03		0.02				
21				0.01		0.27						
22							0.01	0.18				
23							0.09	0.20				
24							0.02	0.03				
25				0.77		0.04						
26						0.55						
27												
28		1.30										
29		0.21					0.02	0.01				
30												
31				0.56								
Totals	0.00	2.11	0.71	1.59	1.50	1.61	3.46	0.51	1.25	0.02	0.00	0.00
												Water Year Total: 12.76

NOTE: All Values are in units of inches, unless otherwise specified.

LEGEND: A - Acculated Total  
 E - Estimated  
 T - Trace, unmeasurable amount of rain

Data Revised: March 2011

**PRECIPITATION**

**DAILY RAINFALL SUMMARY**

**598D Neenach-Check 43-California D.W.R.**

Gage Type: Standard 8 inch diameter

Observation Time: 800

Latitude 34-47-40

Longitude: 118-37-15

Elevation: 2965 Feet

Water Year from 10/01/1998 to 09/30/1999

Day	Oct	Nov	Dec	Jan	Feb	Mar	Apr	May	Jun	Jul	Aug	Sep
1			0.10		0.08							
2			0.07						0.01			
3								0.07	T			
4							0.09		0.03			
5							0.01					
6			0.04		0.01		0.22					
7			0.01				0.19					
8							0.01					
9		0.05					0.15					
10					0.13		0.01					
11		0.06			0.02		0.01					
12		0.02					1.67					
13							0.01			0.05		
14												
15			0.01			0.24						
16						0.01						
17												
18												
19												
20				0.01		0.10						
21			0.05	0.03		0.01						
22												0.02
23							0.01					
24												
25				1.49		0.06						
26				0.05		0.28						
27				0.04				0.61				
28		0.22						0.01				
29		0.17										
30	0.02	0.01										
31				0.32								
Totals	0.02	0.53	0.28	1.94	0.24	0.70	2.38	0.69	0.04	0.05	0.00	0.02
												Water Year Total: 6.89

NOTE: All Values are in units of inches, unless otherwise specified.

LEGEND: A - Acculated Total  
 E - Estimated  
 T - Trace, unmeasurable amount of rain

Data Revised: March 2011

**PRECIPITATION**

**DAILY RAINFALL SUMMARY**

**610B Pasadena-City Hall**

Gage Type: Standard 8 inch diameter

Observation Time: 800

Latitude 34-08-54

Longitude: 118-08-36

Elevation: 864 Feet

Water Year from 10/01/1998 to 09/30/1999

Day	Oct	Nov	Dec	Jan	Feb	Mar	Apr	May	Jun	Jul	Aug	Sep
1			0.13				0.03		0.90			
2			0.16				0.15		0.23			
3									0.05			
4			0.09			0.07						
5			0.15		0.30	0.01	0.86					
6							0.68					
7												
8		0.52								0.02		
9					0.42	0.02						
10					0.30		0.10					
11		0.10					0.30					
12		T					0.75					
13							0.01	T				
14												
15						0.62						
16						0.01						
17												
18												
19												
20				0.20		0.22						
21			T	0.23								
22								0.05				
23								0.12				
24												
25				0.50		0.45						
26				0.46		0.05						
27				0.27								
28		0.90					T					
29												
30							T					
31				0.60		0.03						
Totals	0.00	1.52	0.53	2.26	1.02	1.48	2.88	0.17	1.18	0.02	0.00	0.00
											Water Year Total:	11.06

NOTE: All Values are in units of inches, unless otherwise specified.

LEGEND: A - Acculated Total  
 E - Estimated  
 T - Trace, unmeasurable amount of rain

Data Revised: March 2011

**PRECIPITATION**

**DAILY RAINFALL SUMMARY**

**612B Pasadena-Chlorine Plant**

Gage Type: Standard 8 inch diameter

Observation Time: 800

Latitude 34-12-04

Longitude: 118-09-49

Elevation: 1160 Feet

Water Year from 10/01/1998 to 09/30/1999

Day	Oct	Nov	Dec	Jan	Feb	Mar	Apr	May	Jun	Jul	Aug	Sep
1								0.02				
2			0.14				0.18		0.88			
3							0.12		0.27			
4			0.60			0.09			0.03			
5			0.20		0.19							
6			0.16		0.04		0.22					
7							1.18					
8		0.66					0.35					
9					0.16					0.01		
10					0.96							
11		0.12										
12							0.96			0.06		
13							0.17					
14												
15						0.62						
16						0.43						
17												
18												
19			0.10									
20			0.03	0.29		0.10						
21				0.04		0.18						
22							0.01	0.16				
23							0.03	0.23				
24							0.04					
25				1.06								
26				0.32		0.63						
27				0.82								
28		0.78										
29		0.31					0.04	0.02				
30							0.03					
31				0.70								
Totals	0.00	1.87	1.23	3.23	1.35	2.05	3.33	0.43	1.18	0.07	0.00	0.00
												Water Year Total: 14.74

NOTE: All Values are in units of inches, unless otherwise specified.

LEGEND: A - Acculated Total  
 E - Estimated  
 T - Trace, unmeasurable amount of rain

Data Revised: March 2011



**PRECIPITATION**

**DAILY RAINFALL SUMMARY**

**613C Pasadena Fire Station**

Gage Type: Standard 8 inch diameter

Observation Time: 800

Latitude 34-07-15

Longitude: 118-08-05

Elevation: 779 Feet

Water Year from 10/01/1998 to 09/30/1999

Day	Oct	Nov	Dec	Jan	Feb	Mar	Apr	May	Jun	Jul	Aug	Sep
1							0.06					
2			0.14				0.14		0.80			
3							0.01		0.27			
4			0.11			0.02			0.06			
5			0.04		0.29							
6			0.12		0.01		0.24					
7							1.04					
8		0.51					0.25					
9					0.02					0.04		
10					0.72							
11		0.09										
12							0.98					
13							0.05					
14												
15						0.44						
16						0.17						
17												
18												
19			0.15									
20			0.01	0.20		0.05						
21				0.05		0.16						
22				0.45				0.06				
23							0.02	0.14				
24							0.03					
25						0.03						
26						0.42						
27				0.67								
28		0.77										
29		0.24										
30												
31				0.50								
Totals	0.00	1.61	0.57	1.87	1.04	1.29	2.82	0.20	1.13	0.04	0.00	0.00
												Water Year Total: 10.57

NOTE: All Values are in units of inches, unless otherwise specified.

LEGEND: A - Acculated Total  
 E - Estimated  
 T - Trace, unmeasurable amount of rain

Data Revised: March 2011

**PRECIPITATION**

**DAILY RAINFALL SUMMARY**

**619 San Antonio Canyon-Sierra Power House**

Gage Type: Daily Automatic (DPW)

Observation Time: 2400

Latitude 34-12-29

Longitude: 117-40-26

Elevation: 3110 Feet

Water Year from 10/01/1998 to 09/30/1999

Day	Oct	Nov	Dec	Jan	Feb	Mar	Apr	May	Jun	Jul	Aug	Sep
1			0.08									
2							0.04		0.57E			
3			0.08				0.16	0.04	0.14E			
4			0.16		0.32		0.16		0.03E			
5			0.04		0.20							
6			0.20		0.04		0.88					
7							0.64					
8		0.64					0.16					
9					1.16		0.16					
10												
11		0.28				0.08	0.68					
12							0.40					
13												
14												
15						0.68						
16						0.12						
17												
18												
19			0.08									
20			0.04	0.08		0.24						
21												
22							0.04					
23							0.52					
24							0.12					
25				0.88		0.52						
26				0.40								
27				0.80								
28		1.20		0.36			0.60					
29							0.08					
30							0.28					
31				0.52		0.24						
Totals	0.00	2.12	0.68	3.04	1.72	1.88	4.92	0.04	0.74	0.00	0.00	0.00
											Water Year Total:	15.14

NOTE: All Values are in units of inches, unless otherwise specified.

LEGEND: A - Acculated Total  
 E - Estimated  
 T - Trace, unmeasurable amount of rain

Data Revised: March 2011

**PRECIPITATION**

**DAILY RAINFALL SUMMARY**

**627 San Gabriel Canyon-Power House**

Gage Type: Daily Automatic (DPW)

Observation Time: 2400

Latitude 34-09-20

Longitude: 117-54-28

Elevation: 744 Feet

Water Year from 10/01/1998 to 09/30/1999

Day	Oct	Nov	Dec	Jan	Feb	Mar	Apr	May	Jun	Jul	Aug	Sep
1					0.11		0.07	0.02				
2			0.15				0.06		0.92			
3									0.30			
4			0.04			0.19			0.01			
5			0.13		0.45							
6			0.14		0.03		0.08					
7		0.71					0.98					
8					0.01		0.02					
9					0.06	0.01	0.16					
10					0.79	0.03						
11		0.07										
12		0.02				0.01	0.78					
13							0.05					
14												
15						0.18						
16						0.31						
17												
18												
19			0.05									
20			0.20	0.13		0.19						
21				0.01		0.02						
22								0.15				
23							0.05	0.02				
24	0.01						0.04					
25				0.75		0.01	0.02					
26				0.27		0.26						
27				0.65								
28		0.80										
29		0.16					0.19					
30							0.05					
31				0.23								
Totals	0.01	1.76	0.71	2.04	1.45	1.21	2.55	0.19	1.23	0.00	0.00	0.00
											Water Year Total:	11.15

NOTE: All Values are in units of inches, unless otherwise specified.

LEGEND: A - Acculated Total  
 E - Estimated  
 T - Trace, unmeasurable amount of rain

Data Revised: March 2011

**PRECIPITATION**

**DAILY RAINFALL SUMMARY**

**634C Santa Monica**

Gage Type: Standard 8 inch diameter (DPW)

Observation Time: 800

Latitude 34-00-43

Longitude: 118-29-27

Elevation: 94 Feet

Water Year from 10/01/1998 to 09/30/1999

Day	Oct	Nov	Dec	Jan	Feb	Mar	Apr	May	Jun	Jul	Aug	Sep
1			0.14									
2									0.28			
3			0.05						0.07			
4					T				0.02			
5			T		0.58							
6			0.45		T		0.42					
7					T		0.37					
8		0.86			0.08							
9					0.12	0.08						
10					0.04							
11		0.06				0.07	0.82					
12							0.13					
13												
14												
15						0.53						
16						0.02						
17												
18												
19				T								
20				0.17		0.14						
21												T
22						T						
23												
24												
25				0.12		1.15						
26				0.33								
27												
28		0.17										
29												
30				T								
31				0.38								
Totals	0.00	1.09	0.64	1.00	0.82	1.99	1.74	0.00	0.37	0.00	0.00	0.00
												Water Year Total: 7.65

NOTE: All Values are in units of inches, unless otherwise specified.

LEGEND: A - Acculated Total  
 E - Estimated  
 T - Trace, unmeasurable amount of rain

Data Revised: March 2011

**PRECIPITATION**

**DAILY RAINFALL SUMMARY**

**662D Long Beach Airport**

Gage Type: Standard 8 inch diameter

Observation Time: 800

Latitude 33-49-00

Longitude: 118-09-00

Elevation: 34 Feet

Water Year from 10/01/1998 to 09/30/1999

Day	Oct	Nov	Dec	Jan	Feb	Mar	Apr	May	Jun	Jul	Aug	Sep
1			0.22		0.01		0.02		0.10			
2	T								0.37			
3			0.05			0.01	T		0.02			
4			0.03		0.12	T						
5			T		0.07							
6			0.24				0.49					
7		0.02			T	T	0.13					
8		0.85			0.01		0.05			0.07		
9					0.20	0.13						
10												
11		0.05				0.13	1.61					
12							0.01					
13												
14												
15						0.82						
16						0.03						
17												
18												
19			0.02	0.02								
20			0.01	0.25		0.16						
21				T								
22												
23						T	T	0.05				
24	T			0.01								
25	0.01			0.42		0.49						
26				0.42								
27												
28		0.48					T					
29												
30							T					
31				0.34								
Totals	0.01	1.40	0.57	1.46	0.41	1.77	2.31	0.05	0.49	0.07	0.00	0.00
												Water Year Total: 8.54

NOTE: All Values are in units of inches, unless otherwise specified.

LEGEND: A - Acculated Total  
 E - Estimated  
 T - Trace, unmeasurable amount of rain

Data Revised: March 2011

**PRECIPITATION**

**DAILY RAINFALL SUMMARY**

**680B Westwood (U.C.L.A.)**

Gage Type: Standard 8 inch diameter

Observation Time: 800

Latitude 34-04-10

Longitude: 118-26-30

Elevation: 430 Feet

Water Year from 10/01/1998 to 09/30/1999

Day	Oct	Nov	Dec	Jan	Feb	Mar	Apr	May	Jun	Jul	Aug	Sep
1			0.27				0.02					
2			0.06				0.01		0.67			
3			T						0.08			
4			0.03		T				0.02			
5			T		0.17							
6			0.23				0.67					
7							0.28					
8		1.22			T					T		
9					0.35	0.05	0.09					
10					0.02	0.01						
11		0.07					0.47					
12							1.08			0.02		
13												
14												
15						0.58						
16						T						
17												
18												
19			T									
20			T	0.14		0.28						
21												
22							T					
23								T				
24												
25				0.29		1.00						
26				0.55		0.09						
27				0.15								
28		0.68										
29		0.01					0.12					
30	0.01											
31				0.43		T						
Totals	0.01	1.98	0.59	1.56	0.54	2.01	2.74	0.00	0.77	0.02	0.00	0.00
											Water Year Total:	10.22

NOTE: All Values are in units of inches, unless otherwise specified.

LEGEND: A - Acculated Total  
 E - Estimated  
 T - Trace, unmeasurable amount of rain

Data Revised: March 2011

**PRECIPITATION**

**DAILY RAINFALL SUMMARY**

**683B Sunset Ridge**

Gage Type: Standard 8 inch diameter (DPW)

Observation Time: 800

Latitude 34-12-53

Longitude: 118-08-47

Elevation: 2110 Feet

Water Year from 10/01/1998 to 09/30/1999

Day	Oct	Nov	Dec	Jan	Feb	Mar	Apr	May	Jun	Jul	Aug	Sep
1					0.02		0.19					
2			0.11				0.21		1.02			
3									0.27			
4			0.12			0.12	0.11		0.03			
5			0.02		0.15							
6			0.15				0.14					
7						0.01	1.33					
8		0.53					0.34					
9					0.15	0.06	0.26			0.01		
10					1.07							
11		0.10										
12							0.86			0.22		
13							0.18					
14												
15						0.52						
16						0.43		0.04				
17												
18												
19			0.16									
20			0.02	0.03		0.21						
21												
22				0.04				0.19				
23								0.23				
24							0.08					
25				1.01		0.05						
26				0.55		0.55						
27				0.46								
28		0.68										
29		0.16					0.02					
30							0.02	T				
31				0.62		T		0.01				
Totals	0.00	1.47	0.58	2.71	1.39	1.95	3.74	0.47	1.32	0.23	0.00	0.00
											Water Year Total:	13.86

NOTE: All Values are in units of inches, unless otherwise specified.

LEGEND: A - Acculated Total  
 E - Estimated  
 T - Trace, unmeasurable amount of rain

Data Revised: March 2011

**PRECIPITATION**

**DAILY RAINFALL SUMMARY**

**694G Big Tujunga Canyon-Cmp**

Gage Type: Daily Automatic (DPW)

Observation Time: 2400

Latitude 34-17-22

Longitude: 118-17-17

Elevation: 1525 Feet

Water Year from 10/01/1998 to 09/30/1999

Day	Oct	Nov	Dec	Jan	Feb	Mar	Apr	May	Jun	Jul	Aug	Sep
1			0.08				0.07					
2							0.12		0.67			
3			0.04						0.23			
4												
5												
6			0.12				0.55					
7					0.04		0.44					
8		0.39					0.11					
9					0.55	0.12						
10												
11		0.08				0.04	0.56			0.20		
12							0.51					
13												
14												
15						1.06						
16												
17												
18												
19			0.04	0.08								
20				0.11		0.43						
21												
22												
23		0.04						0.04				
24				0.04								
25				0.95		0.48						
26				0.87								
27												
28		1.14										
29												
30												
31				0.39								
Totals	0.00	1.65	0.28	2.44	0.59	2.13	2.36	0.04	0.90	0.20	0.00	0.00
											Water Year Total:	10.59

NOTE: All Values are in units of inches, unless otherwise specified.

LEGEND: A - Acculated Total  
 E - Estimated  
 T - Trace, unmeasurable amount of rain

Data Revised: March 2011



**PRECIPITATION**

**DAILY RAINFALL SUMMARY**

**695B Tujunga Canyon-Vogel Flat**

Gage Type: Standard 8 inch diameter (DPW)

Observation Time: 800

Latitude 34-17-12

Longitude: 118-13-32

Elevation: 1850 Feet

Water Year from 10/01/1998 to 09/30/1999

Day	Oct	Nov	Dec	Jan	Feb	Mar	Apr	May	Jun	Jul	Aug	Sep
1					0.39		0.04					
2			0.11				0.12					
3							0.07		1.11			
4			0.08			0.04						
5			0.02		0.09							
6			0.16				0.16					
7							1.42					
8		0.44					0.23					
9							0.29					
10					1.43	0.11						
11		0.14										
12						0.03	1.04			0.30		
13							0.17			0.16		
14												
15												
16						1.16						
17												
18												
19												
20			0.02									
21				0.14								
22								0.16E				
23								0.22E				
24						0.67						
25				0.81								
26				0.54								
27				0.89								
28		1.20										
29		0.50						0.03E				
30												
31				0.68								
Totals	0.00	2.28	0.39	3.06	1.91	2.01	3.54	0.41	1.11	0.46	0.00	0.00
										Water Year Total:		15.17

NOTE: All Values are in units of inches, unless otherwise specified.

LEGEND: A - Acculated Total  
 E - Estimated  
 T - Trace, unmeasurable amount of rain

Data Revised: March 2011

**PRECIPITATION**

**DAILY RAINFALL SUMMARY**

**716 Los Angeles-Ducommun St.**

Gage Type: Standard 8 inch diameter

Observation Time: 800

Latitude 34-03-09

Longitude: 118-14-13

Elevation: 306 Feet

Water Year from 10/01/1998 to 09/30/1999

Day	Oct	Nov	Dec	Jan	Feb	Mar	Apr	May	Jun	Jul	Aug	Sep
1			0.34		0.52							
2							0.03		0.58			
3			T						0.21			
4			0.02				T		0.19			
5			0.24		0.14							
6							0.01					
7					0.04		0.93					
8		0.54					0.13					
9		T			T	T	0.08			T		
10					0.37	0.05						
11		0.06										
12		0.01					1.26					
13							0.05					
14												
15						0.01	T					
16						0.49						
17												
18												
19			T									
20			0.02	0.17		0.15						
21			0.01	0.01		T						
22												
23							T					T
24						T						
25				0.40		0.02						
26				0.12		0.47						
27				0.73								
28		0.55					T					
29		0.29										
30	T											
31				0.08								
Totals	0.00	1.45	0.63	1.51	1.07	1.19	2.49	0.00	0.98	0.00	0.00	0.00
												Water Year Total: 9.32

NOTE: All Values are in units of inches, unless otherwise specified.

LEGEND: A - Acculated Total  
 E - Estimated  
 T - Trace, unmeasurable amount of rain

Data Revised: March 2011

**PRECIPITATION**

**DAILY RAINFALL SUMMARY**

**734C Los Angeles International Airport**

Gage Type: Standard 8 inch diameter

Observation Time: 800

Latitude 33-56-25

Longitude: 118-23-44

Elevation: 105 Feet

Water Year from 10/01/1998 to 09/30/1999

Day	Oct	Nov	Dec	Jan	Feb	Mar	Apr	May	Jun	Jul	Aug	Sep
1			0.19				0.09		0.08			
2									0.47			
3			0.03	0.02		0.01	T		0.04			
4			0.03		0.19							
5					0.13							
6			0.47				0.42					
7		0.01			0.01	T	0.30					
8		1.30					0.06			T		
9					0.17	0.15						
10												
11		0.07				0.09	1.35					
12							0.01					
13												
14												
15						0.66						
16						0.02						
17												
18												
19			0.01	0.07								
20			0.01	0.21		0.30						
21												
22												
23						0.01	T	T				
24				T								
25	T			0.40		0.88						
26				0.30								
27		0.02			T							
28		0.49					T					
29												
30				T								
31				0.19								
Totals	0.00	1.89	0.74	1.19	0.50	2.12	2.23	0.00	0.59	0.00	0.00	0.00
												Water Year Total: 9.26

NOTE: All Values are in units of inches, unless otherwise specified.

LEGEND: A - Acculated Total  
 E - Estimated  
 T - Trace, unmeasurable amount of rain

Data Revised: March 2011

**PRECIPITATION**

**DAILY RAINFALL SUMMARY**

**735H Bell Canyon**

Gage Type: Daily Automatic (DPW)

Observation Time: 2400

Latitude 34-11-40

Longitude: 118-39-23

Elevation: 895 Feet

Water Year from 10/01/1998 to 09/30/1999

Day	Oct	Nov	Dec	Jan	Feb	Mar	Apr	May	Jun	Jul	Aug	Sep
1			0.24									
2									0.19			
3												
4					0.08							
5					0.24							
6			0.16				0.32					
7							0.20					
8		0.39					0.04					
9					0.43	0.16						
10					0.04							
11		0.08				0.04	1.14			0.12		
12		0.04					0.08					
13												
14												
15						0.55						
16												
17												
18												
19				0.07								
20				0.12		0.31						0.20
21												0.39
22												
23							0.47					
24				0.08		0.04						
25				0.32		0.59						
26				0.39								
27												
28		0.59										
29												
30												
31				0.39								
Totals	0.00	1.10	0.40	1.37	0.79	1.69	2.25	0.00	0.19	0.12	0.00	0.59
												Water Year Total: 8.50

NOTE: All Values are in units of inches, unless otherwise specified.

LEGEND: A - Acculated Total  
 E - Estimated  
 T - Trace, unmeasurable amount of rain

Data Revised: March 2011

**PRECIPITATION**

**DAILY RAINFALL SUMMARY**

**742C San Gabriel Fire Department**

Gage Type: Standard 8 inch diameter

Observation Time: 800

Latitude 34-06-11

Longitude: 118-05-56

Elevation: 445 Feet

Water Year from 10/01/1998 to 09/30/1999

Day	Oct	Nov	Dec	Jan	Feb	Mar	Apr	May	Jun	Jul	Aug	Sep
1			0.06				0.05					
2			0.05				0.13		0.69			
3									0.16			
4						0.01			0.12			
5			0.05		0.26							
6			0.05				0.95					
7			0.01				0.74					
8												
9					0.39	0.05	0.08					
10					0.08							
11		0.08				T	0.48					
12							0.40					
13												
14												
15						0.55						
16												
17												
18												
19												
20						0.15						
21												
22								0.05				
23							T					
24								0.19				
25						0.30						
26												
27												
28		0.90										
29												
30		T					T					
31												
Totals	0.00	0.98	0.22	0.00	0.73	1.06	2.83	0.24	0.97	0.00	0.00	0.00
												Water Year Total: 7.03

NOTE: All Values are in units of inches, unless otherwise specified.

LEGEND: A - Acculated Total  
 E - Estimated  
 T - Trace, unmeasurable amount of rain

Data Revised: March 2011

**PRECIPITATION**

**DAILY RAINFALL SUMMARY**

**749B Burbank Valley Pump Plant**

Gage Type: Standard 8 inch diameter

Observation Time: 800

Latitude 34-11-11

Longitude: 118-20-54

Elevation: 655 Feet

Water Year from 10/01/1998 to 09/30/1999

Day	Oct	Nov	Dec	Jan	Feb	Mar	Apr	May	Jun	Jul	Aug	Sep
1					0.30							
2			0.28				0.04		0.65			
3							0.05		0.27			
4			T			0.40			0.05			
5			T		0.05							
6			0.20				0.01					
7							1.11					
8		0.27					0.20					
9					0.04		0.05					
10						0.05						
11		0.12										
12							1.03					
13							0.07					
14												
15												
16						0.70						
17												
18												
19												
20				0.15		0.27						
21			T									
22												
23							T	0.02				
24												
25				0.10		0.07						
26				0.90		0.72						
27				0.42								
28		0.97										
29		0.49										
30	0.06											
31				0.30								
Totals	0.06	1.85	0.48	1.87	0.39	2.21	2.56	0.02	0.97	0.00	0.00	0.00
											Water Year Total:	10.41

NOTE: All Values are in units of inches, unless otherwise specified.

LEGEND: A - Acculated Total  
 E - Estimated  
 T - Trace, unmeasurable amount of rain

Data Revised: March 2011

**PRECIPITATION**

**DAILY RAINFALL SUMMARY**

**750B Palmdale-F.A.A. Airport**

Gage Type: Standard 8 inch diameter (DPW)

Observation Time: 800

Latitude 34-37-20

Longitude: 118-05-00

Elevation: 2528 Feet

Water Year from 10/01/1998 to 09/30/1999

Day	Oct	Nov	Dec	Jan	Feb	Mar	Apr	May	Jun	Jul	Aug	Sep
1							0.13					
2			0.08						0.26			
3									T			
4												
5					T							
6							0.02					
7			0.05				0.14					
8					0.03							
9		0.01				T	0.08					
10					0.31	T						
11												
12		0.25					0.27			0.02		
13							0.25			0.77		
14										0.36		
15						0.13						
16						T						
17												
18												
19												
20				T								
21				T								
22												
23								0.18				
24							T					
25				0.26		T		T				
26				0.04								
27	0.01			0.02								
28												
29												
30		0.22					T					
31				0.05								
Totals	0.01	0.48	0.13	0.37	0.34	0.13	0.89	0.18	0.26	1.15	0.00	0.00
										Water Year Total:		3.94

NOTE: All Values are in units of inches, unless otherwise specified.

LEGEND: A - Acculated Total  
 E - Estimated  
 T - Trace, unmeasurable amount of rain

Data Revised: March 2011

**PRECIPITATION**

**DAILY RAINFALL SUMMARY**

**771B Pacific Palisades-Riviera Country Club**

Gage Type: Standard 8 inch diameter (DPW)

Observation Time: 800

Latitude 34-03-03

Longitude: 118-29-58

Elevation: 315 Feet

Water Year from 10/01/1998 to 09/30/1999

Day	Oct	Nov	Dec	Jan	Feb	Mar	Apr	May	Jun	Jul	Aug	Sep
1			0.40									
2									0.75			
3									0.10			
4			0.50									
5												
6			0.40				1.50					
7							0.50					
8												
9					0.40							
10												
11							1.50					
12												
13												
14												
15						1.00						
16												
17												
18												
19				0.30								
20						0.50						
21												
22												
23												
24												
25				0.30		0.75						
26												
27				0.70								
28												
29												
30												
31				0.50								
Totals	0.00	0.00	1.30	1.80	0.40	2.25	3.50	0.00	0.85	0.00	0.00	0.00
											Water Year Total:	10.10

NOTE: All Values are in units of inches, unless otherwise specified.

LEGEND: A - Acculated Total  
 E - Estimated  
 T - Trace, unmeasurable amount of rain

Data Revised: March 2011



**PRECIPITATION**

**DAILY RAINFALL SUMMARY**

**794 Lower Franklin Reservoir**

Gage Type: Standard 8 inch diameter

Observation Time: 800

Latitude 34-05-43

Longitude: 118-24-40

Elevation: 585 Feet

Water Year from 10/01/1998 to 09/30/1999

Day	Oct	Nov	Dec	Jan	Feb	Mar	Apr	May	Jun	Jul	Aug	Sep
1			0.30									
2							0.04		0.67			
3									0.12			
4			0.02						0.06			
5			0.02		0.10							
6			0.19		0.08		0.27					
7							0.95					
8		0.59					0.23					
9					0.04		0.08					
10					0.40	0.06						
11		0.11				T						
12										0.08		
13												
14												
15						0.07						
16						0.59						
17												
18												
19												
20				0.13		0.40						
21												
22								T				
23							T	T				
24							0.01					
25				0.46		0.10						
26				0.27		0.85						
27				0.28								
28		0.34										
29		0.28										
30	0.08											
31				0.24								
Totals	0.08	1.32	0.53	1.38	0.62	2.07	1.58	0.00	0.85	0.08	0.00	0.00
												Water Year Total: 8.51

NOTE: All Values are in units of inches, unless otherwise specified.

LEGEND: A - Acculated Total  
 E - Estimated  
 T - Trace, unmeasurable amount of rain

Data Revised: March 2011

**PRECIPITATION**

**DAILY RAINFALL SUMMARY**

**795 Pasadena-Jourdan**

Gage Type: Standard 8 inch diameter

Observation Time: 800

Latitude 34-08-52

Longitude: 118-05-14

Elevation: 705 Feet

Water Year from 10/01/1998 to 09/30/1999

Day	Oct	Nov	Dec	Jan	Feb	Mar	Apr	May	Jun	Jul	Aug	Sep
1							0.10	0.01				
2			0.09				0.14		0.72			
3							0.14		0.22			
4			0.70			0.04	0.01		0.02			
5			0.03		0.21							
6			0.80		0.02		0.22					
7							1.12					
8		0.47					0.19					
9					0.05					0.04		
10					0.68							
11		0.08										
12							0.92					
13							0.04					
14								0.01				
15						0.50						
16						0.19						
17												
18												
19			0.07									
20			0.02	0.17		0.02						
21				0.04		0.25						
22								0.08				
23							0.50	0.14				
24							0.03					
25				0.50		0.02						
26						0.35						
27				0.51								
28		1.10										
29		0.13										
30												
31				0.47								
Totals	0.00	1.78	1.71	1.69	0.96	1.37	3.41	0.24	0.96	0.04	0.00	0.00
												Water Year Total: 12.16

NOTE: All Values are in units of inches, unless otherwise specified.

LEGEND: A - Acculated Total  
 E - Estimated  
 T - Trace, unmeasurable amount of rain

Data Revised: March 2011

**PRECIPITATION**

**DAILY RAINFALL SUMMARY**

**797 De Soto Reservoir**

Gage Type: Standard 8 inch diameter

Observation Time: 800

Latitude 34-16-17

Longitude: 118-35-12

Elevation: 1127 Feet

Water Year from 10/01/1998 to 09/30/1999

Day	Oct	Nov	Dec	Jan	Feb	Mar	Apr	May	Jun	Jul	Aug	Sep
1			0.11		0.34							
2							T		0.15			
3							0.04		0.20			
4			0.06						0.04			
5					0.32							
6			0.19		0.09		0.05					
7							0.94					
8		1.03			0.02		0.07					
9					0.26	T	T					
10					0.42	0.19						
11		0.10										
12						0.06	1.04					
13							0.07					
14												
15						0.57						
16						0.03						
17												
18												
19												
20				0.37		0.42						
21				T		0.09						
22								0.04				
23								0.02				
24							0.11					
25				0.56		0.04						
26				0.30		0.61						
27				0.32								
28												
29												
30		0.68										
31				0.05								
Totals	0.00	1.81	0.36	1.60	1.45	2.01	2.32	0.06	0.39	0.00	0.00	0.00
											Water Year Total:	10.00

NOTE: All Values are in units of inches, unless otherwise specified.

LEGEND: A - Acculated Total  
 E - Estimated  
 T - Trace, unmeasurable amount of rain

Data Revised: March 2011

**PRECIPITATION**

**DAILY RAINFALL SUMMARY**

**801B Magic Mountain**

Gage Type: Standard 8 inch diameter (DPW)

Observation Time: 800

Latitude 34-23-18

Longitude: 118-19-27

Elevation: 4720 Feet

Water Year from 10/01/1998 to 09/30/1999

Day	Oct	Nov	Dec	Jan	Feb	Mar	Apr	May	Jun	Jul	Aug	Sep
1			0.07									
2			0.09						1.04			
3									0.31			
4			0.13		0.11				0.04			
5			0.07									
6			0.16				1.83					
7												
8		0.43					0.05					
9					1.68	0.15						
10					0.24							
11		0.27				0.03	0.88					
12										0.11		
13												
14												
15						0.69						
16												
17												
18												
19			0.20									
20			0.10	0.13		0.50						
21												
22												
23												
24												
25				0.65E		0.29						
26				0.25E		0.04						
27				0.15E								
28		1.60										
29												
30												
31				1.03								
Totals	0.00	2.30	0.82	2.21	2.03	1.70	2.76	0.00	1.39	0.11	0.00	0.00
												Water Year Total: 13.32

NOTE: All Values are in units of inches, unless otherwise specified.

LEGEND: A - Acculated Total  
 E - Estimated  
 T - Trace, unmeasurable amount of rain

Data Revised: March 2011

**PRECIPITATION**

**DAILY RAINFALL SUMMARY**

**802C Eagle Rock Reservoir**

Gage Type: Standard 8 inch diameter

Observation Time: 800

Latitude 34-08-47

Longitude: 118-11-20

Elevation: 970 Feet

Water Year from 10/01/1998 to 09/30/1999

Day	Oct	Nov	Dec	Jan	Feb	Mar	Apr	May	Jun	Jul	Aug	Sep
1							0.16					
2			0.14				T		0.81			
3						0.05			0.27			
4			0.08						0.08			
5			T		0.15		0.05		0.08			
6			0.17		T							
7							1.18					
8		0.42			0.05		0.30					
9					0.71	0.03	0.04					
10												
11		0.07										
12							1.10					
13							0.08					
14												
15						0.42						
16						0.19						
17												
18												
19												
20				0.18		0.12						
21				0.04		0.05		0.03				
22						0.01						
23							0.02	0.15				
24							0.02					
25				0.64		0.01						
26				0.16		0.57						
27				0.56								
28		0.49										
29		0.11										
30	0.02											
31				0.67		0.03						
Totals	0.02	1.09	0.39	2.25	0.91	1.48	2.95	0.18	1.24	0.00	0.00	0.00
											Water Year Total:	10.51

NOTE: All Values are in units of inches, unless otherwise specified.

LEGEND: A - Acculated Total  
 E - Estimated  
 T - Trace, unmeasurable amount of rain

Data Revised: March 2011

**PRECIPITATION**

**DAILY RAINFALL SUMMARY**

**807 Ascot Reservoir**

Gage Type: Standard 8 inch diameter

Observation Time: 800

Latitude 34-04-46

Longitude: 118-11-14

Elevation: 620 Feet

Water Year from 10/01/1998 to 09/30/1999

Day	Oct	Nov	Dec	Jan	Feb	Mar	Apr	May	Jun	Jul	Aug	Sep
1							0.08		0.73			
2			0.27						0.24			
3						0.01						
4			0.05									
5					0.35		0.02		0.03			
6			0.23									
7							1.17					
8		0.43				0.01	0.14					
9					0.03		0.13					
10					0.48							
11		0.09										
12							1.25					
13							0.07					
14												
15						0.30						
16						0.27						
17												
18												
19												
20			0.06	0.25		0.17						
21				0.02								
22								T				
23							0.01	0.15				
24							0.01					
25				0.45		0.04						
26						0.37						
27				0.79								
28		0.42										
29	0.01	0.21										
30												
31						0.02						
Totals	0.01	1.15	0.61	1.51	0.86	1.19	2.88	0.15	1.00	0.00	0.00	0.00
										Water Year Total:		9.36

NOTE: All Values are in units of inches, unless otherwise specified.

LEGEND: A - Acculated Total  
 E - Estimated  
 T - Trace, unmeasurable amount of rain

Data Revised: March 2011

**PRECIPITATION**

**DAILY RAINFALL SUMMARY**

**1005B Mint Canyon Fire Station**

Gage Type: Standard 8 inch diameter (DPW)

Observation Time: 800

Latitude 34-30-35

Longitude: 118-21-40

Elevation: 2300 Feet

Water Year from 10/01/1998 to 09/30/1999

Day	Oct	Nov	Dec	Jan	Feb	Mar	Apr	May	Jun	Jul	Aug	Sep
1												
2												
3												
4							0.07					
5					0.40				0.67			
6												
7												
8		0.42										
9												
10					0.73							
11							0.86					
12												
13							0.48					
14												
15												
16												
17												
18												
19												
20						0.55						
21												
22												
23												
24												
25	0.02											
26						0.09						
27												
28												
29												
30		0.02										
31				1.54								
Totals	0.02	0.44	0.00	1.54	1.13	0.64	1.41	0.00	0.67	0.00	0.00	0.00
												Water Year Total: 5.85

NOTE: All Values are in units of inches, unless otherwise specified.

LEGEND: A - Acculated Total  
 E - Estimated  
 T - Trace, unmeasurable amount of rain

Data Revised: March 2011

**PRECIPITATION**

**DAILY RAINFALL SUMMARY**

**1006 San Pedro-City Reservoir**

Gage Type: Standard 8 inch diameter

Observation Time: 800

Latitude 33-44-37

Longitude: 118-17-47

Elevation: 150 Feet

Water Year from 10/01/1998 to 09/30/1999

Day	Oct	Nov	Dec	Jan	Feb	Mar	Apr	May	Jun	Jul	Aug	Sep
1												
2			0.42						0.52			
3	T						0.03		0.03			
4						T						
5					0.07					T		
6			0.18		0.08	0.06	0.35					
7							0.34					
8		0.64										
9					0.17	0.05						
10						0.18						
11		0.05				0.05						
12							1.35					
13							0.10					
14												
15						0.64						
16						0.11						
17												
18												
19												
20				0.30								
21			0.08	0.05								
22												
23								0.01				0.10
24												
25				0.37		0.43						
26				0.28		0.47						
27				0.20								
28		0.36										
29												
30												
31				0.18								
Totals	0.00	1.05	0.68	1.38	0.32	1.99	2.17	0.01	0.55	0.00	0.00	0.10
												Water Year Total: 8.25

NOTE: All Values are in units of inches, unless otherwise specified.

LEGEND: A - Acculated Total  
 E - Estimated  
 T - Trace, unmeasurable amount of rain

Data Revised: March 2011



**PRECIPITATION**

**DAILY RAINFALL SUMMARY**

**1011B Palos Verdes Fire Station**

Gage Type: Standard 8 inch diameter (DPW)

Observation Time: 800

Latitude 33-45-25

Longitude: 118-21-11

Elevation: 1275 Feet

Water Year from 10/01/1998 to 09/30/1999

Day	Oct	Nov	Dec	Jan	Feb	Mar	Apr	May	Jun	Jul	Aug	Sep
1												
2			0.33E									
3									0.70			
4					0.19							
5					0.31							
6			0.14E				0.63					
7					0.01	0.10	0.23					
8		1.14			0.15					0.16		
9					0.36	0.22						
10												
11						0.32	1.35					
12							0.16					
13												
14												
15						0.74						
16												
17												
18												
19				0.11E								
20			0.09E			0.48						
21												
22												
23							0.02					
24												
25				0.65E		0.68						
26				0.41E								
27												
28		0.66										
29												
30												
31				0.33E								
Totals	0.00	1.80	0.56	1.50	1.02	2.54	2.39	0.00	0.70	0.16	0.00	0.00
												Water Year Total: 10.67

NOTE: All Values are in units of inches, unless otherwise specified.

LEGEND: A - Acculated Total  
 E - Estimated  
 T - Trace, unmeasurable amount of rain

Data Revised: March 2011

**PRECIPITATION**

**DAILY RAINFALL SUMMARY**

**1012B Castaic Junction**

Gage Type: Standard 8 inch diameter (DPW)

Observation Time: 800

Latitude 34-26-18

Longitude: 118-36-43

Elevation: 1005 Feet

Water Year from 10/01/1998 to 09/30/1999

Day	Oct	Nov	Dec	Jan	Feb	Mar	Apr	May	Jun	Jul	Aug	Sep
1			0.22									
2									0.04E			
3									0.19E			
4												
5					0.23E			0.20E				
6			0.19		0.04E							
7												
8		0.31			0.01E							
9									0.91E			
10												
11		0.08										
12												
13												
14												
15												
16												
17												
18												
19												
20				0.06E								
21												
22												
23												
24												
25				1.40E								
26				0.15E								
27				0.24E								
28		0.55										
29												
30												
31				0.42E								
Totals	0.00	0.94	0.41	2.27	0.28	0.00	0.00	0.20	1.14	0.00	0.00	0.00
												Water Year Total: 5.24

NOTE: All Values are in units of inches, unless otherwise specified.

LEGEND: A - Acculated Total  
 E - Estimated  
 T - Trace, unmeasurable amount of rain

Data Revised: March 2011

**PRECIPITATION**

**DAILY RAINFALL SUMMARY**

**1025 Malibu Beach-Dunne**

Gage Type: Standard 8 inch diameter (DPW)

Observation Time: 800

Latitude 34-02-00

Longitude: 118-42-42

Elevation: 160 Feet

Water Year from 10/01/1998 to 09/30/1999

Day	Oct	Nov	Dec	Jan	Feb	Mar	Apr	May	Jun	Jul	Aug	Sep
1			0.62				T					
2									0.28E			
3									0.04E			
4			0.05									
5			0.11									
6			0.33		0.30E		0.43					
7							0.54					
8		1.13					T					
9						0.03						
10					0.27E							
11		0.12				0.20	0.58					
12							0.36					
13												
14												
15						0.59						
16						0.09						
17												
18												
19												
20				0.27		0.45						
21												
22												
23						0.08						
24				0.37			0.03					
25				0.25		0.83						
26						0.02						
27				0.13								
28		0.62										
29												
30												
31				0.46								
Totals	0.00	1.87	1.11	1.48	0.57	2.29	1.94	0.00	0.32	0.00	0.00	0.00
												Water Year Total: 9.58

NOTE: All Values are in units of inches, unless otherwise specified.

LEGEND: A - Acculated Total  
 E - Estimated  
 T - Trace, unmeasurable amount of rain

Data Revised: March 2011

**PRECIPITATION**

**DAILY RAINFALL SUMMARY**

**1029C Tujung-Mill Creek Summit ranger station**

Gage Type: Standard recording gage (DPW)

Observation Time: 800

Latitude 34-23-22

Longitude: 118-04-49

Elevation: 4990 Feet

Water Year from 10/01/1998 to 09/30/1999

Day	Oct	Nov	Dec	Jan	Feb	Mar	Apr	May	Jun	Jul	Aug	Sep
1					0.81							
2			0.10						1.27			
3								0.06	0.05			
4			0.06									
5					0.05		0.09		0.03			
6												
7			0.26				1.08					
8		0.53					0.12					
9					0.02	0.05	0.28					
10					0.71							
11												
12						0.15	1.33			0.50		
13							0.47					
14		0.49										
15						0.26						
16												
17												
18												
19												
20												
21				0.12								
22												
23								0.25				
24							0.06					
25												
26												
27												
28												
29		1.31		1.36								
30	0.02											
31												
Totals	0.02	2.33	0.42	1.48	1.59	0.46	3.43	0.31	1.35	0.50	0.00	0.00
												Water Year Total: 11.89

NOTE: All Values are in units of inches, unless otherwise specified.

LEGEND: A - Acculated Total  
 E - Estimated  
 T - Trace, unmeasurable amount of rain

Data Revised: March 2011

**PRECIPITATION**

**DAILY RAINFALL SUMMARY**

**1037 Arcadia-Arboretum**

Gage Type: Standard 8 inch diameter (DPW)

Observation Time: 800

Latitude 34-08-48

Longitude: 118-02-59

Elevation: 565 Feet

Water Year from 10/01/1998 to 09/30/1999

Day	Oct	Nov	Dec	Jan	Feb	Mar	Apr	May	Jun	Jul	Aug	Sep
1							T					
2			0.10				0.08		0.71			
3									0.19			
4			0.03		T	0.05	T		0.01			
5			0.02		0.16							
6			0.09		0.13		0.66					
7							1.25					
8		0.34					T			T		
9					0.24	0.05						
10					0.47							
11		0.07				0.04	0.14					
12							0.47			0.01		
13												
14												
15						0.60						
16						T						
17												
18												
19			T		0.01							
20			0.01	0.17		0.18						
21												
22								0.08				
23								0.09				
24							0.05					
25				0.43		0.18						
26				0.38		0.09						
27				0.26								
28		0.51					0.01					
29		0.07										
30							0.08					
31				0.37								
Totals	0.00	0.99	0.25	1.61	1.01	1.19	2.74	0.17	0.91	0.01	0.00	0.00
												Water Year Total: 8.88

NOTE: All Values are in units of inches, unless otherwise specified.

LEGEND: A - Acculated Total  
 E - Estimated  
 T - Trace, unmeasurable amount of rain

Data Revised: March 2011

**PRECIPITATION**

**DAILY RAINFALL SUMMARY**

**1041B Santa Fe Dam**

Gage Type: Standard 8 inch diameter (DPW)

Observation Time: 800

Latitude 34-07-04

Longitude: 117-58-24

Elevation: 427 Feet

Water Year from 10/01/1998 to 09/30/1999

Day	Oct	Nov	Dec	Jan	Feb	Mar	Apr	May	Jun	Jul	Aug	Sep
1			0.03				0.03					
2			0.04				0.05		0.95			
3									0.05			
4			0.01		0.10	0.01						
5			0.03		0.26							
6			0.15				1.04					
7							0.26					
8		0.52										
9					0.34	0.01	0.06					
10					0.11							
11		0.07					0.43					
12							0.40					
13												
14												
15						0.62						
16												
17												
18												
19												
20			0.08	0.14		0.15						
21												
22							0.01	0.04				
23								0.02				
24							0.01					
25				0.38		0.19						
26				0.47								
27				0.46								
28		0.66										
29		0.01										
30							0.03					
31												
Totals	0.00	1.26	0.34	1.45	0.81	0.98	2.32	0.06	1.00	0.00	0.00	0.00
												Water Year Total: 8.22

NOTE: All Values are in units of inches, unless otherwise specified.

LEGEND: A - Acculated Total  
 E - Estimated  
 T - Trace, unmeasurable amount of rain

Data Revised: March 2011

**PRECIPITATION**

**DAILY RAINFALL SUMMARY**

**1050F Old Topanga Canyon**

Gage Type: Standard 8 inch diameter (DPW)

Observation Time: 800

Latitude 34-06-24

Longitude: 118-37-43

Elevation: 1000 Feet

Water Year from 10/01/1998 to 09/30/1999

Day	Oct	Nov	Dec	Jan	Feb	Mar	Apr	May	Jun	Jul	Aug	Sep
1												
2			0.32				0.18		0.48			
3												
4			0.05						0.25			
5			0.08		0.24							
6			0.14				0.52					
7							0.98					
8		0.48					0.11					
9		0.01			0.12	0.05						
10					0.83							
11		0.15										
12		0.09					2.03					
13						0.08	0.07					
14												
15												
16						1.18						
17												
18												
19												
20						0.54						
21												
22												
23												
24							0.09					
25				0.42		0.23						
26				0.42		1.00						
27				0.13								
28		0.20										
29		1.11										
30												
31				0.82								
Totals	0.00	2.04	0.59	1.79	1.19	3.08	3.98	0.00	0.73	0.00	0.00	0.00
												Water Year Total: 13.40

NOTE: All Values are in units of inches, unless otherwise specified.

LEGEND: A - Acculated Total  
 E - Estimated  
 T - Trace, unmeasurable amount of rain

Data Revised: March 2011

**PRECIPITATION**

**DAILY RAINFALL SUMMARY**

**1051B Canoga Park-Pierce College**

Gage Type: Standard 8 inch diameter

Observation Time: 800

Latitude 34-10-51

Longitude: 118-34-23

Elevation: 800 Feet

Water Year from 10/01/1998 to 09/30/1999

Day	Oct	Nov	Dec	Jan	Feb	Mar	Apr	May	Jun	Jul	Aug	Sep
1			0.14				0.05					
2	0.01		0.02				0.03					
3									0.31			
4			0.03		T		0.01		0.36			
5			T		0.08							
6			0.19		T		0.60					
7					0.01		0.50					
8		0.60			0.04							
9					0.24	0.06	0.03					
10					0.01	T						
11		0.13				0.08	0.34					
12							1.00					
13												
14												
15												
16												
17												
18						T						
19				T								
20				0.14		0.35						
21												
22								0.01				
23												
24						T	0.07					
25	0.01			0.35		0.78						
26				0.26								
27				0.14								
28		0.62					0.01					
29		0.02										
30												
31				0.48								
Totals	0.02	1.37	0.38	1.37	0.38	1.27	2.64	0.01	0.67	0.00	0.00	0.00
										Water Year Total:		8.11

NOTE: All Values are in units of inches, unless otherwise specified.

LEGEND: A - Acculated Total  
 E - Estimated  
 T - Trace, unmeasurable amount of rain

Data Revised: March 2011



**PRECIPITATION**

**DAILY RAINFALL SUMMARY**

**1058B Palmdale**

Gage Type: Standard 8 inch diameter

Observation Time: 800

Latitude 34-35-17

Longitude: 118-05-31

Elevation: 2595 Feet

Water Year from 10/01/1998 to 09/30/1999

Day	Oct	Nov	Dec	Jan	Feb	Mar	Apr	May	Jun	Jul	Aug	Sep
1												
2			0.05						0.06			
3												
4												
5					0.02							
6							0.04					
7			0.08				0.12					
8												
9		0.01			0.03		0.06					
10					0.18							
11		0.15										
12		0.09					0.59			0.05		
13							0.02			0.25		
14										0.27		
15						0.06						
16												
17												
18												
19												
20						0.04						
21												
22												
23												
24												
25				0.23								
26				0.03								
27	0.02			0.02								
28		0.20										
29												
30	0.01											
31				0.07		0.09						
Totals	0.03	0.45	0.13	0.35	0.23	0.19	0.83	0.00	0.06	0.57	0.00	0.00
										Water Year Total:		2.84

NOTE: All Values are in units of inches, unless otherwise specified.

LEGEND: A - Acculated Total  
 E - Estimated  
 T - Trace, unmeasurable amount of rain

Data Revised: March 2011

**PRECIPITATION**

**DAILY RAINFALL SUMMARY**

**1070 Manhattan Beach**

Gage Type: Standard 8 inch diameter (DPW)

Observation Time: 800

Latitude 33-53-00

Longitude: 118-23-19

Elevation: 182 Feet

Water Year from 10/01/1998 to 09/30/1999

Day	Oct	Nov	Dec	Jan	Feb	Mar	Apr	May	Jun	Jul	Aug	Sep
1												
2			0.36				0.17		0.48			
3												
4			0.03						0.09			
5			0.10		0.10							
6			0.22		0.08		0.11					
7							0.23					
8		0.78										
9					0.05	0.04						
10					0.24							
11		0.07										
12							1.20					
13												
14												
15						0.66						
16						0.02						
17												
18												
19												
20				0.21		0.35						
21												
22												
23												
24												
25				0.41								
26				0.08		0.79						
27				0.28								
28		0.35										
29		0.10										
30												
31				0.22								
Totals	0.00	1.30	0.71	1.20	0.47	1.86	1.71	0.00	0.57	0.00	0.00	0.00
												Water Year Total: 7.82

NOTE: All Values are in units of inches, unless otherwise specified.

LEGEND: A - Acculated Total  
 E - Estimated  
 T - Trace, unmeasurable amount of rain

Data Revised: March 2011

**PRECIPITATION**

**DAILY RAINFALL SUMMARY**

**1071B Descanso Gardens**

Gage Type: Standard 8 inch diameter (DPW)

Observation Time: 800

Latitude 34-12-07

Longitude: 118-12-46

Elevation: 1325 Feet

Water Year from 10/01/1998 to 09/30/1999

Day	Oct	Nov	Dec	Jan	Feb	Mar	Apr	May	Jun	Jul	Aug	Sep
1			0.17				0.03					
2							0.27		1.05			
3									0.32			
4						0.07			0.07			
5					0.07		0.05					
6			0.24				0.78					
7							0.71					
8		0.51					0.03					
9					0.59	0.07	0.23					
10					0.31							
11		0.10					0.28					
12							0.82					
13												
14												
15						0.91						
16												
17												
18												
19			0.07									
20			0.02	0.32		0.22						
21												
22								0.15				
23								0.24				
24												
25				0.91		0.52						
26				0.60								
27				0.33								
28		1.16					0.59					
29												
30							0.03					
31				0.77								
Totals	0.00	1.77	0.50	2.93	0.97	1.79	3.82	0.39	1.44	0.00	0.00	0.00
											Water Year Total:	13.61

NOTE: All Values are in units of inches, unless otherwise specified.

LEGEND: A - Acculated Total  
 E - Estimated  
 T - Trace, unmeasurable amount of rain

Data Revised: March 2011

**PRECIPITATION**

**DAILY RAINFALL SUMMARY**

**1074 Little Gleason**

Gage Type: Daily Automatic (DPW)

Observation Time: 2400

Latitude 34-22-43

Longitude: 118-08-57

Elevation: 5600 Feet

Water Year from 10/01/1998 to 09/30/1999

Day	Oct	Nov	Dec	Jan	Feb	Mar	Apr	May	Jun	Jul	Aug	Sep
1			0.12				0.04					0.40
2									0.99			
3			0.12						0.12			
4					0.04				0.04			
5			0.03		0.04							
6					0.04							
7			0.08				0.23					
8		0.67					0.08					
9					1.18	0.20	0.16					
10					0.04		0.55					
11		0.39				0.20	0.04			0.07		
12							0.16			0.04		
13							0.63					
14												
15												
16						0.51						
17						0.08						
18												
19												
20				0.16		0.15						
21												
22												
23		0.20						0.20				
24	0.04			0.04								
25	0.04			0.20		0.32						
26				0.08								
27				0.19								
28		0.95		0.04								
29				0.20								
30												
31				0.35								
Totals	0.08	2.21	0.35	1.26	1.34	1.46	1.89	0.20	1.15	0.11	0.00	0.40
											Water Year Total:	10.45

NOTE: All Values are in units of inches, unless otherwise specified.

LEGEND: A - Acculated Total  
 E - Estimated  
 T - Trace, unmeasurable amount of rain

Data Revised: March 2011

**PRECIPITATION**

**DAILY RAINFALL SUMMARY**

**1076B Monte Cristo Ranger Station**

Gage Type: Standard 8 inch diameter

Observation Time: 800

Latitude 34-19-42

Longitude: 118-07-20

Elevation: 3360 Feet

Water Year from 10/01/1998 to 09/30/1999

Day	Oct	Nov	Dec	Jan	Feb	Mar	Apr	May	Jun	Jul	Aug	Sep
1					0.22		0.05	0.02				
2			0.07				0.07		0.92			
3							0.03		0.07			
4			0.01				0.04					
5			0.01		0.05							
6			0.13									
7					0.04		1.18					
8		0.49					0.13					
9					0.07	0.07	0.13					
10					0.93							
11		0.18				T						
12		0.11				0.05	0.68			0.83		
13							0.24					
14												
15						0.07						
16						0.48						
17												
18												
19												
20				0.12								
21				0.01		0.14						
22												
23								0.18				
24							0.06					
25	0.07			0.43		0.06						
26						0.26						
27				1.24								
28		1.07										
29		0.08										
30							T					
31				0.26								
Totals	0.07	1.93	0.22	2.06	1.31	1.13	2.61	0.20	0.99	0.83	0.00	0.00
											Water Year Total:	11.35

NOTE: All Values are in units of inches, unless otherwise specified.

LEGEND: A - Acculated Total  
 E - Estimated  
 T - Trace, unmeasurable amount of rain

Data Revised: March 2011

**PRECIPITATION**

**DAILY RAINFALL SUMMARY**

**1077B Monrovia-Five Points**

Gage Type: Standard 8 inch diameter (DPW)

Observation Time: 800

Latitude 34-09-58

Longitude: 117-59-37

Elevation: 962 Feet

Water Year from 10/01/1998 to 09/30/1999

Day	Oct	Nov	Dec	Jan	Feb	Mar	Apr	May	Jun	Jul	Aug	Sep
1					0.02			0.17				
2			0.10				0.10		0.82			
3									0.30			
4			0.07			0.21						
5			0.04		0.39							
6					0.06							
7							1.25					
8		0.65					0.19					
9					0.10		0.12					
10					1.10	0.04						
11		0.08										
12		0.04					1.00			0.04		
13												
14												
15						0.66						
16						0.24						
17												
18												
19												
20			0.30	0.20		0.29						
21												
22								0.14				
23							0.11	0.07				
24												
25				0.59		0.02						
26				0.18		0.34						
27				0.79								
28		0.99										
29		0.26					0.07					
30							0.05					
31				0.40								
Totals	0.00	2.02	0.51	2.16	1.67	1.80	2.89	0.38	1.12	0.04	0.00	0.00
											Water Year Total:	12.59

NOTE: All Values are in units of inches, unless otherwise specified.

LEGEND: A - Acculated Total  
 E - Estimated  
 T - Trace, unmeasurable amount of rain

Data Revised: March 2011

**PRECIPITATION**

**DAILY RAINFALL SUMMARY**

**1081B** Glendale-Gregg

Gage Type: Standard 8 inch diameter

Observation Time: 800

Latitude 34-11-45

Longitude: 118-14-30

Elevation: 1350 Feet

Water Year from 10/01/1998 to 09/30/1999

Day	Oct	Nov	Dec	Jan	Feb	Mar	Apr	May	Jun	Jul	Aug	Sep
1			0.22				0.16					
2	0.01		0.02				0.11		0.95			
3			T						0.34			
4			0.03		0.04	0.08			0.08			
5					0.15							
6			0.21				0.62					
7							0.50					
8		0.45			T		T			T		
9					0.82	0.07	0.14					
10					0.08							
11		0.11				0.02	0.36					
12							0.74					
13								T				
14												
15						0.82						
16												
17												
18												
19			0.03	T								
20			0.02	0.40		0.31		0.01				
21												
22							0.03	0.10				T
23						T	0.01	0.13				0.17
24							0.03					
25				0.85		0.59						
26				0.77								
27				0.35								
28		0.80					0.01					
29								T				
30	0.03						0.02					
31				0.65		T						
Totals	0.04	1.36	0.53	3.02	1.09	1.89	2.73	0.24	1.37	0.00	0.00	0.17
												Water Year Total: 12.44

NOTE: All Values are in units of inches, unless otherwise specified.

LEGEND: A - Acculated Total  
 E - Estimated  
 T - Trace, unmeasurable amount of rain

Data Revised: March 2011

**PRECIPITATION**

**DAILY RAINFALL SUMMARY**

**1087 Green-Verdugo Pumping Plant**

Gage Type: Standard 8 inch diameter (DPW)

Observation Time: 800

Latitude 34-15-25

Longitude: 118-20-11

Elevation: 1340 Feet

Water Year from 10/01/1998 to 09/30/1999

Day	Oct	Nov	Dec	Jan	Feb	Mar	Apr	May	Jun	Jul	Aug	Sep
1												
2			0.15				0.02		0.69			
3							0.14		0.15			
4			0.05			0.01			0.06			
5					0.05							
6			0.18				2.20					
7							0.79					
8		0.32			0.01		0.30					
9					0.16	0.11	0.07					
10					0.35	0.01						
11		0.11				0.02						
12						0.01	1.30					
13							0.13					
14							0.01					
15						0.09						
16						0.38						
17												
18						0.01						
19												
20			0.02	0.16		0.57		0.01				
21						0.01						
22								0.02				
23								0.03				
24												
25				0.96		0.09						
26				0.42		0.57						
27				0.34								
28		1.06										
29	0.03	0.32										
30							T					
31				0.56								
Totals	0.03	1.81	0.40	2.44	0.57	1.88	4.96	0.06	0.90	0.00	0.00	0.00
											Water Year Total:	13.05

NOTE: All Values are in units of inches, unless otherwise specified.

LEGEND: A - Acculated Total  
 E - Estimated  
 T - Trace, unmeasurable amount of rain

Data Revised: March 2011



**PRECIPITATION**

**DAILY RAINFALL SUMMARY**

**1088B** La Habra Heights-Mutual Water Co.

Gage Type: Standard 8 inch diameter (DPW)

Observation Time: 800

Latitude 33-56-55

Longitude: 117-57-51

Elevation: 445 Feet

Water Year from 10/01/1998 to 09/30/1999

Day	Oct	Nov	Dec	Jan	Feb	Mar	Apr	May	Jun	Jul	Aug	Sep
1												
2	T		0.16				0.07		0.30			
3									0.01			
4			0.04			0.07			0.06			
5					0.43							
6												
7			0.37				0.87					
8							0.12			0.01		
9		0.65					0.05			0.05		
10					0.31	0.02						
11		0.04										
12							1.04					
13												
14								0.01				
15						0.48						
16						0.15						
17												
18												
19												
20			0.20	0.22								
21			0.01	0.11								
22						0.11						
23												
24								0.01				
25				0.44								
26				0.08		0.19						
27				0.60								
28		0.39										
29		0.22										
30												
31				0.29								
Totals	0.00	1.30	0.78	1.74	0.74	1.02	2.15	0.02	0.37	0.06	0.00	0.00
												Water Year Total: 8.18

NOTE: All Values are in units of inches, unless otherwise specified.

LEGEND: A - Acculated Total  
 E - Estimated  
 T - Trace, unmeasurable amount of rain

Data Revised: March 2011

**PRECIPITATION**

**DAILY RAINFALL SUMMARY**

**1095 Orange County Reservoir**

Gage Type: Standard 8 inch diameter

Observation Time: 800

Latitude 33-56-07

Longitude: 117-52-58

Elevation: 660 Feet

Water Year from 10/01/1998 to 09/30/1999

Day	Oct	Nov	Dec	Jan	Feb	Mar	Apr	May	Jun	Jul	Aug	Sep
1			0.14									
2									0.21			
3												
4			0.04		0.10	0.05			0.02			
5			0.12		0.33							
6			0.20				0.77					
7							0.77					
8		1.38								0.07		
9					0.27		0.11					
10					0.06							
11		0.08					0.17					
12							0.76					
13												
14												
15						0.55						
16												
17												
18												
19			0.04									
20			0.09	0.33		0.10						
21			0.01									
22												
23								0.07				
24												
25				0.43		0.16						
26				0.35								
27				0.64								
28		0.66										
29												
30							0.04					
31				0.29								
Totals	0.00	2.12	0.64	2.04	0.76	0.86	2.62	0.07	0.23	0.07	0.00	0.00
												Water Year Total: 9.41

NOTE: All Values are in units of inches, unless otherwise specified.

LEGEND: A - Acculated Total  
 E - Estimated  
 T - Trace, unmeasurable amount of rain

Data Revised: March 2011

**PRECIPITATION**

**DAILY RAINFALL SUMMARY**

**1107D La Tuna Debris Basin**

Gage Type: Daily Automatic (DPW)

Observation Time: 2400

Latitude 34-14-13

Longitude: 118-19-37

Elevation: 1160 Feet

Water Year from 10/01/1998 to 09/30/1999

Day	Oct	Nov	Dec	Jan	Feb	Mar	Apr	May	Jun	Jul	Aug	Sep
1			0.16				0.04					
2							0.08		0.51			
3			0.04						0.24			
4			0.08			0.04			0.07			
5					0.04							
6			0.12				0.47					
7							0.55					
8		0.16										
9					0.55	0.04	0.04					
10												
11		0.08					0.71					
12							0.31					
13							0.04					
14												
15						0.75						
16												
17						0.12						
18												
19												
20				0.08		0.55						
21												
22												
23												
24												
25				0.86		0.67						
26				0.71								
27				0.04								
28		0.86										
29												
30												
31				0.39								
Totals	0.00	1.10	0.40	2.08	0.59	2.17	2.24	0.00	0.82	0.00	0.00	0.00
												Water Year Total: 9.40

NOTE: All Values are in units of inches, unless otherwise specified.

LEGEND: A - Acculated Total  
 E - Estimated  
 T - Trace, unmeasurable amount of rain

Data Revised: March 2011

**PRECIPITATION**

**DAILY RAINFALL SUMMARY**

**1113 Dominguez Water Co.**

Gage Type: Daily Automatic (DPW)

Observation Time: 2400

Latitude 33-49-54

Longitude: 118-13-30

Elevation: 30 Feet

Water Year from 10/01/1998 to 09/30/1999

Day	Oct	Nov	Dec	Jan	Feb	Mar	Apr	May	Jun	Jul	Aug	Sep
1			0.20									
2									0.39			
3												
4					0.16							
5					0.04							
6			0.19				0.27					
7							0.16					
8		0.71										
9					0.16	0.04	0.04					
10												
11						0.08	1.65					
12							0.04					
13												
14												
15						0.59						
16												
17												
18												
19			0.04									
20			0.04	0.24		0.11						
21												
22												
23												
24												
25				0.31		0.40						
26				0.52								
27												
28		0.35										
29												
30												
31				0.15								
Totals	0.00	1.06	0.47	1.22	0.36	1.22	2.16	0.00	0.39	0.00	0.00	0.00
												Water Year Total: 6.88

NOTE: All Values are in units of inches, unless otherwise specified.

LEGEND: A - Acculated Total  
 E - Estimated  
 T - Trace, unmeasurable amount of rain

Data Revised: March 2011

**PRECIPITATION**

**DAILY RAINFALL SUMMARY**

**1114B Whittier Narrows Dam**

Gage Type: Standard 8 inch diameter

Observation Time: 800

Latitude 34-01-29

Longitude: 118-05-02

Elevation: 239 Feet

Water Year from 10/01/1998 to 09/30/1999

Day	Oct	Nov	Dec	Jan	Feb	Mar	Apr	May	Jun	Jul	Aug	Sep
1			0.12				0.09					
2							0.03		0.66			
3									0.17			
4			0.02		0.04	0.01						
5			0.02		0.24							
6			0.18		0.01		0.52					
7							0.22					
8		0.52			0.01					0.04		
9					0.39	0.05	0.06					
10					0.03							
11		0.04				0.01	0.29					
12							0.71					
13												
14												
15						0.48						
16												
17												
18												
19												
20			0.05	0.22		0.15						
21												
22												
23							0.01	0.05				
24							0.02					
25				0.38		0.18						
26				0.40		0.02						
27				0.28								
28		0.48										
29												
30												
31				0.34								
Totals	0.00	1.04	0.39	1.62	0.72	0.90	1.95	0.05	0.83	0.04	0.00	0.00
												Water Year Total: 7.54

NOTE: All Values are in units of inches, unless otherwise specified.

LEGEND: A - Acculated Total  
 E - Estimated  
 T - Trace, unmeasurable amount of rain

Data Revised: March 2011

**PRECIPITATION**

**DAILY RAINFALL SUMMARY**

**1115 San Antonio Dam**

Gage Type: Standard 8 inch diameter

Observation Time: 800

Latitude 34-09-24

Longitude: 117-40-20

Elevation: 2120 Feet

Water Year from 10/01/1998 to 09/30/1999

Day	Oct	Nov	Dec	Jan	Feb	Mar	Apr	May	Jun	Jul	Aug	Sep
1							0.02					
2							0.02		0.40			
3							0.04	0.06	0.15			
4			0.40		0.17	0.03	0.02					
5			0.05		0.59							
6			0.14		0.17		0.41					
7					0.04		0.54					
8		0.66					0.03			0.01		
9					0.55	0.05	0.13					
10					0.27			0.02				
11		0.10				0.03	0.34					
12							0.90					
13												
14												
15						0.70		0.01				
16												
17												
18												
19												
20			0.15	0.06		0.13						
21												
22							0.07	0.05				
23							0.04					
24							0.11					
25	0.01			0.45		0.13						
26				0.53								
27				1.16								
28		1.07					0.40					
29							0.03					
30							0.15	0.02				
31				0.28		0.08						
Totals	0.01	1.83	0.74	2.48	1.79	1.15	3.25	0.16	0.55	0.01	0.00	0.00
												Water Year Total: 11.97

NOTE: All Values are in units of inches, unless otherwise specified.

LEGEND: A - Acculated Total  
 E - Estimated  
 T - Trace, unmeasurable amount of rain

Data Revised: March 2011

**PRECIPITATION**

**DAILY RAINFALL SUMMARY**

**1126A Los Angeles-East Valley**

Gage Type: 8.81 inch diameter (DPW)

Observation Time: 800

Latitude 34-12-30

Longitude: 118-24-35

Elevation: 780 Feet

Water Year from 10/01/1998 to 09/30/1999

Day	Oct	Nov	Dec	Jan	Feb	Mar	Apr	May	Jun	Jul	Aug	Sep
1			0.26		0.51		T					
2							0.08		0.56			
3							0.13		0.19			
4			T						0.11			
5					0.04							
6			0.24				0.07					
7					0.04		1.23					
8		0.43					0.31					
9					0.11	T	T					
10					0.15	0.04						
11		0.11										
12							0.92					
13							0.05					
14												
15						0.03						
16						0.56						
17												
18												
19												
20				0.12		0.20						
21			T			0.25						
22												
23								0.02				
24						T		0.01				
25				0.67		0.05						
26				0.18		0.65						
27		0.57		0.41								
28		0.31										
29												
30	0.22											
31				0.09								
Totals	0.22	1.42	0.50	1.47	0.85	1.78	2.79	0.03	0.86	0.00	0.00	0.00
										Water Year Total: 9.92		

NOTE: All Values are in units of inches, unless otherwise specified.

LEGEND: A - Acculated Total  
 E - Estimated  
 T - Trace, unmeasurable amount of rain

Data Revised: March 2011

**PRECIPITATION**

**DAILY RAINFALL SUMMARY**

**1128 Wrightwood Fire Department**

Gage Type: Standard 8 inch diameter

Observation Time: 800

Latitude 34-21-34

Longitude: 117-37-57

Elevation: 5960 Feet

Water Year from 10/01/1998 to 09/30/1999

Day	Oct	Nov	Dec	Jan	Feb	Mar	Apr	May	Jun	Jul	Aug	Sep
1												
2												
3												
4												
5												
6			0.10									
7												
8		0.20										
9					0.50							
10												
11		0.60										
12		0.10										
13												
14			0.20									
15						0.40						
16						0.10						
17												
18												
19												
20												
21												
22												
23												
24												
25				0.40		0.10						
26				0.50								
27				0.30								
28		0.70										
29		0.10										
30												
31												
Totals	0.00	1.70	0.30	1.20	0.50	0.60	0.00	0.00	0.00	0.00	0.00	0.00
												Water Year Total: 4.30

NOTE: All Values are in units of inches, unless otherwise specified.

LEGEND: A - Acculated Total  
 E - Estimated  
 T - Trace, unmeasurable amount of rain

Data Revised: March 2011



**PRECIPITATION**

**DAILY RAINFALL SUMMARY**

**1129B Nicholas Canyon**

Gage Type: Standard 8 inch diameter (DPW)

Observation Time: 800

Latitude 34-02-52

Longitude: 118-54-57

Elevation: 340 Feet

Water Year from 10/01/1998 to 09/30/1999

Day	Oct	Nov	Dec	Jan	Feb	Mar	Apr	May	Jun	Jul	Aug	Sep
1			A				0.01					
2			A						0.22			
3			A						0.16			
4			A									
5			A		0.05							
6			1.27A				0.26					
7					0.01		0.05					
8		0.88			0.16							
9					0.49	0.13						
10												
11		0.12				0.08	1.13					
12							0.40					
13								0.02				
14												
15						0.90						
16												
17												
18												
19			0.02	0.01								
20				0.34		0.38						
21				0.01								
22								0.04				
23						0.04						
24				0.01		1.37						
25				0.43		0.03						
26				0.28								
27				0.11								
28		0.45										
29												
30									0.01			
31				0.41		0.01						
Totals	0.00	1.45	1.29	1.60	0.71	2.94	1.85	0.06	0.39	0.00	0.00	0.00
										Water Year Total:		10.29

NOTE: All Values are in units of inches, unless otherwise specified.

LEGEND: A - Acculated Total  
 E - Estimated  
 T - Trace, unmeasurable amount of rain

Data Revised: March 2011

**PRECIPITATION**

**DAILY RAINFALL SUMMARY**

**1152 Clear Creek Ranger Station**

Gage Type: Standard 8 inch diameter (DPW)

Observation Time: 800

Latitude 34-16-15

Longitude: 118-09-11

Elevation: 3625 Feet

Water Year from 10/01/1998 to 09/30/1999

Day	Oct	Nov	Dec	Jan	Feb	Mar	Apr	May	Jun	Jul	Aug	Sep
1												
2									1.09			
3							0.25					
4			0.30		0.15				0.40			
5												
6							0.04					
7												
8		0.55										
9		0.25			1.65	0.07						
10							1.00					
11		0.20					1.00					
12		0.11					1.00			1.42		
13												
14												
15						0.18						
16						0.75						
17												
18												
19												
20				0.25		0.06						
21												
22												
23								0.02E				
24												
25	0.07					0.23						
26				0.85		0.43						
27				0.85								
28		0.96										
29		0.42										
30												
31				0.71								
Totals	0.07	2.49	0.30	2.66	1.80	1.72	3.29	0.02	1.49	1.42	0.00	0.00
												Water Year Total: 15.26

NOTE: All Values are in units of inches, unless otherwise specified.

LEGEND: A - Acculated Total  
 E - Estimated  
 T - Trace, unmeasurable amount of rain

Data Revised: March 2011

**PRECIPITATION**

**DAILY RAINFALL SUMMARY**

**1158 Torrance Municipal Airport**

Gage Type: Standard 8 inch diameter (DPW)

Observation Time: 800

Latitude 33-47-59

Longitude: 118-20-08

Elevation: 102 Feet

Water Year from 10/01/1998 to 09/30/1999

Day	Oct	Nov	Dec	Jan	Feb	Mar	Apr	May	Jun	Jul	Aug	Sep
1			0.20				0.05					
2			0.04						0.65			
3									0.10			
4			0.03		0.06				0.01			
5			0.04		0.17							
6			0.11		0.01		0.37					
7							0.08					
8		0.36			0.01					0.02		
9					0.10	0.13	0.07					
10					0.10							
11		0.05				0.21	0.40					
12							1.32					
13												
14												
15						0.77						
16						0.06						
17												
18												
19			0.01									
20			0.02	0.15		0.36						
21			0.03									
22												
23						T		T				
24												
25	0.06			0.34		0.54						
26				0.24		0.10						
27		T		0.24								
28		0.71										
29												
30												
31				0.25								
Totals	0.06	1.12	0.48	1.22	0.45	2.17	2.29	0.00	0.76	0.02	0.00	0.00
												Water Year Total: 8.57

NOTE: All Values are in units of inches, unless otherwise specified.

LEGEND: A - Acculated Total  
 E - Estimated  
 T - Trace, unmeasurable amount of rain

Data Revised: March 2011

**PRECIPITATION**

**DAILY RAINFALL SUMMARY**

**1166B Mile High Ranch**

Gage Type: Standard 8 inch diameter (DPW)

Observation Time: 800

Latitude 34-24-40

Longitude: 117-46-15

Elevation: 5280 Feet

Water Year from 10/01/1998 to 09/30/1999

Day	Oct	Nov	Dec	Jan	Feb	Mar	Apr	May	Jun	Jul	Aug	Sep
1			0.03				0.03					
2							0.27		0.35			
3												
4												
5			0.15									
6			0.12									
7							0.19					
8												
9												
10					0.30							
11		0.59										
12							0.89			0.17		
13										0.19		
14												
15						0.50						
16												
17												
18												
19												
20												
21												
22												
23												
24												
25				0.70		0.17						
26				0.14				T				
27				0.34				0.13				
28												
29		1.32										
30												
31												
Totals	0.00	1.91	0.30	1.18	0.30	0.67	1.38	0.13	0.35	0.36	0.00	0.00
												Water Year Total: 6.58

NOTE: All Values are in units of inches, unless otherwise specified.

LEGEND: A - Acculated Total  
 E - Estimated  
 T - Trace, unmeasurable amount of rain

Data Revised: March 2011

**PRECIPITATION**

**DAILY RAINFALL SUMMARY**

**1169B Piru-Temescal Guard Station**

Gage Type: Standard 8 inch diameter

Observation Time: 800

Latitude 34-28-22

Longitude: 118-45-21

Elevation: 1150 Feet

Water Year from 10/01/1998 to 09/30/1999

Day	Oct	Nov	Dec	Jan	Feb	Mar	Apr	May	Jun	Jul	Aug	Sep
1			T					T				
2			0.34						0.10			
3									0.10			
4			0.02						0.19			
5												
6			0.07		0.05							
7												
8												
9						0.23						
10												
11							0.11					
12		0.02										
13										0.02		
14												
15												
16												
17												
18												
19												
20				0.13								
21				0.03								
22						T						0.18
23												
24				0.09			0.11					
25				0.83		0.16						
26				0.22								
27				0.31								
28												
29												
30												
31				0.62								
Totals	0.00	0.02	0.43	2.23	0.05	0.39	0.22	0.00	0.39	0.02	0.00	0.18
												Water Year Total: 3.93

NOTE: All Values are in units of inches, unless otherwise specified.

LEGEND: A - Acculated Total  
 E - Estimated  
 T - Trace, unmeasurable amount of rain

Data Revised: March 2011

**PRECIPITATION**

**DAILY RAINFALL SUMMARY**

**1170B** Thousand Oaks Weather Station

Gage Type: Standard 8 inch diameter

Observation Time: 800

Latitude 34-10-44

Longitude: 118-51-01

Elevation: 805 Feet

Water Year from 10/01/1998 to 09/30/1999

Day	Oct	Nov	Dec	Jan	Feb	Mar	Apr	May	Jun	Jul	Aug	Sep
1										0.01		
2			0.32						0.12			
3									0.08			
4			0.02						0.01			
5			0.14		0.13							
6			0.15		0.01		0.13					
7							0.12					
8		0.34			0.02		0.02					
9						0.07	0.01					
10					0.50	0.05						
11		0.10			0.01	0.02						
12		0.02				0.10	1.27					
13							0.01					
14												
15						0.44						
16						0.31						
17												
18												
19												
20				0.09		0.48						
21				0.09								
22								0.01				0.01
23												0.01
24						0.05	0.01	0.01				
25	0.01			0.54		0.12						
26				0.19		1.26						
27				0.35								
28		0.55										
29		0.05										
30												
31				0.47								
Totals	0.01	1.06	0.63	1.73	0.67	2.90	1.57	0.02	0.21	0.01	0.00	0.02
												Water Year Total: 8.83

NOTE: All Values are in units of inches, unless otherwise specified.

LEGEND: A - Acculated Total  
 E - Estimated  
 T - Trace, unmeasurable amount of rain

Data Revised: March 2011

**PRECIPITATION**

**DAILY RAINFALL SUMMARY**

**1171B Camulos Ranch**

Gage Type: Standard 8 inch diameter

Observation Time: 800

Latitude 34-24-22

Longitude: 118-45-21

Elevation: 725 Feet

Water Year from 10/01/1998 to 09/30/1999

Day	Oct	Nov	Dec	Jan	Feb	Mar	Apr	May	Jun	Jul	Aug	Sep
1					0.03							
2			0.23						0.20			
3									0.14			
4			0.04						0.12			
5					0.09		0.04					
6			0.14				0.25					
7							0.57					
8		0.52			0.09	0.14	0.14					
9					0.04	0.14	0.09					
10					0.30	0.10						
11		0.12										
12						0.40	0.89					
13							0.08		0.40			
14												
15						0.30						
16						0.57						
17												
18												
19												
20				0.10		0.30						
21				0.20								0.21
22												
23												
24												
25	0.02			0.73		0.11						
26				0.10		0.47						
27				0.33								
28		0.29										
29		0.22										
30												
31				0.82								
Totals	0.02	1.15	0.41	2.28	0.55	2.53	2.06	0.00	0.86	0.00	0.00	0.21
											Water Year Total:	10.07

NOTE: All Values are in units of inches, unless otherwise specified.

LEGEND: A - Acculated Total  
 E - Estimated  
 T - Trace, unmeasurable amount of rain

Data Revised: March 2011

**PRECIPITATION**

**DAILY RAINFALL SUMMARY**

**1191 Bear Divide**

Gage Type: Standard 8 inch diameter (DPW)

Observation Time: 800

Latitude 34-21-35

Longitude: 118-23-37

Elevation: 2700 Feet

Water Year from 10/01/1998 to 09/30/1999

Day	Oct	Nov	Dec	Jan	Feb	Mar	Apr	May	Jun	Jul	Aug	Sep
1					0.08							
2			0.23				0.04					
3												
4			0.27									
5					0.10							
6							0.42					
7		0.57	0.18			0.11	1.42					
8							0.02					
9					0.30	0.12	0.31					
10					0.58	0.18						
11						0.05						
12		0.18				0.11	1.10					
13							0.19					
14												
15						0.07						
16						0.76						
17												
18												
19												
20												
21				0.57		0.57						
22												
23												
24						0.03						
25				0.95		0.07						
26				0.77		0.40						
27				0.59								
28		0.64										
29		0.44										
30	0.16											
31				0.61								
Totals	0.16	1.83	0.68	3.49	1.06	2.47	3.50	0.00	0.00	0.00	0.00	0.00
											Water Year Total:	13.19

NOTE: All Values are in units of inches, unless otherwise specified.

LEGEND: A - Acculated Total  
 E - Estimated  
 T - Trace, unmeasurable amount of rain

Data Revised: March 2011



**PRECIPITATION**

**DAILY RAINFALL SUMMARY**

**1193 Westlake Village**

Gage Type: Standard 8 inch diameter (DPW)

Observation Time: 800

Latitude 34-08-19

Longitude: 118-49-05

Elevation: 885 Feet

Water Year from 10/01/1998 to 09/30/1999

Day	Oct	Nov	Dec	Jan	Feb	Mar	Apr	May	Jun	Jul	Aug	Sep
1			0.22				0.01					
2												
3												
4												
5			0.18									
6			0.10		0.19		0.18					
7							0.34					
8		0.27			0.02							
9					0.49	0.13						
10												
11						0.14	0.93					
12				0.10			0.80					
13												
14						1.40						
15												
16												
17												
18												
19												
20												
21												
22												
23						0.08						
24												
25						1.11						
26				0.71								
27				0.23								
28		0.89		0.49								
29												
30												
31												
Totals	0.00	1.16	0.50	1.53	0.70	2.86	2.26	0.00	0.00	0.00	0.00	0.00
												Water Year Total: 9.01

NOTE: All Values are in units of inches, unless otherwise specified.

LEGEND: A - Acculated Total  
 E - Estimated  
 T - Trace, unmeasurable amount of rain

Data Revised: March 2011

**PRECIPITATION**

**DAILY RAINFALL SUMMARY**

**1194 Santa Ynez Reservoir**

Gage Type: Standard 8 inch diameter (DPW)

Observation Time: 800

Latitude 34-04-23

Longitude: 118-33-59

Elevation: 735 Feet

Water Year from 10/01/1998 to 09/30/1999

Day	Oct	Nov	Dec	Jan	Feb	Mar	Apr	May	Jun	Jul	Aug	Sep
1												
2			0.34				0.12		0.02			
3							T		0.03			
4			0.08									
5			0.05		0.14							
6			0.24				0.72					
7							0.73					
8		0.01					0.17					
9					0.05	0.10						
10					0.75							
11												
12												
13							1.60					
14												
15						0.83						
16												
17												
18												
19												
20				0.14		0.36						
21												
22								0.03				
23												
24							0.01					
25				0.25		0.11	0.01					
26				0.27		1.12						
27				0.24								
28		0.16						T				
29		0.11										
30												
31				0.66								
Totals	0.00	0.28	0.71	1.56	0.94	2.52	3.36	0.03	0.05	0.00	0.00	0.00
										Water Year Total:		9.45

NOTE: All Values are in units of inches, unless otherwise specified.

LEGEND: A - Acculated Total  
 E - Estimated  
 T - Trace, unmeasurable amount of rain

Data Revised: March 2011

**PRECIPITATION**

**DAILY RAINFALL SUMMARY**

**1195 Chino Fire Station No.2**

Gage Type: Standard 8 inch diameter

Observation Time: 800

Latitude 33-59-00

Longitude: 117-43-20

Elevation: 655 Feet

Water Year from 10/01/1998 to 09/30/1999

Day	Oct	Nov	Dec	Jan	Feb	Mar	Apr	May	Jun	Jul	Aug	Sep
1			0.02		0.01		0.08					
2			0.01									
3			0.03									
4			0.04		0.40	0.01						
5			0.01		0.06							
6			0.25				0.14					
7							0.61					
8		0.64			0.01		0.09					
9					0.23	0.01						
10												
11		0.09				0.02	0.67					
12		0.01					0.11					
13												
14												
15						0.30						
16						0.01						
17												
18												
19			0.07									
20			0.02	0.09		0.03						
21												
22												
23							0.02					
24												
25	0.03			0.26		0.21						
26				0.86								
27				0.01								
28		0.65					0.01					
29												
30							0.06					
31				0.23								
Totals	0.03	1.39	0.45	1.45	0.71	0.59	1.79	0.00	0.00	0.00	0.00	0.00
												Water Year Total: 6.41

NOTE: All Values are in units of inches, unless otherwise specified.

LEGEND: A - Acculated Total  
 E - Estimated  
 T - Trace, unmeasurable amount of rain

Data Revised: March 2011

**PRECIPITATION**

**DAILY RAINFALL SUMMARY**

**1196 Montclair Fire Department**

Gage Type: Standard 8 inch diameter

Observation Time: 800

Latitude 34-03-41

Longitude: 117-41-16

Elevation: 965 Feet

Water Year from 10/01/1998 to 09/30/1999

Day	Oct	Nov	Dec	Jan	Feb	Mar	Apr	May	Jun	Jul	Aug	Sep
1												
2			0.40									
3												
4			0.60			T						
5			0.20		0.65	T						
6			0.16									
7												
8		0.50			T							
9					0.28							
10												
11		0.80										
12						0.11						
13												
14												
15												
16						0.58						
17												
18												
19												
20						T						
21				0.22		0.07						
22												
23												
24				T								
25	0.01											
26				0.46								
27				1.10								
28		0.30										
29		1.10										
30												
31				0.20								
Totals	0.01	2.70	1.36	1.98	0.93	0.76	0.00	0.00	0.00	0.00	0.00	0.00
												Water Year Total: 7.74

NOTE: All Values are in units of inches, unless otherwise specified.

LEGEND: A - Acculated Total  
 E - Estimated  
 T - Trace, unmeasurable amount of rain

Data Revised: March 2011

**PRECIPITATION**

**DAILY RAINFALL SUMMARY**

**1197**      **Cajon West Summit**

Gage Type: Standard 8 inch diameter

Observation Time:      800

Latitude 34-23-30

Longitude: 117-34-35

Elevation: 4838 Feet

Water Year from 10/01/1998 to 09/30/1999

Day	Oct	Nov	Dec	Jan	Feb	Mar	Apr	May	Jun	Jul	Aug	Sep
1												
2												
3												
4												
5					0.10							
6							0.10					
7							0.10					
8							0.10					
9					0.20							
10												
11												
12							0.60					
13												
14			0.10									
15						0.50						
16												
17				0.10								
18			0.10									
19			0.10	0.10								
20												
21												
22												
23							0.30					
24												
25				0.70		0.10						
26				0.40								
27				0.30								
28												
29												
30							0.30					
31				0.20								
Totals	0.00	0.00	0.30	1.80	0.30	0.60	1.50	0.00	0.00	0.00	0.00	0.00
												Water Year Total: 4.50

NOTE: All Values are in units of inches, unless otherwise specified.

LEGEND:      A - Acculated Total  
                   E - Estimated  
                   T - Trace, unmeasurable amount of rain

Data Revised: March 2011

**PRECIPITATION**

**DAILY RAINFALL SUMMARY**

**1198 Phelan Fire Control**

Gage Type: Standard 8 inch diameter

Observation Time: 800

Latitude 34-25-30

Longitude: 117-34-00

Elevation: 4160 Feet

Water Year from 10/01/1998 to 09/30/1999

Day	Oct	Nov	Dec	Jan	Feb	Mar	Apr	May	Jun	Jul	Aug	Sep
1												
2												
3												
4												
5					0.25							
6		T										
7		T										
8												
9					0.25							
10												
11		0.03										
12												
13												
14												
15												
16												
17												
18												
19												
20												
21												
22												
23												
24												
25				1.00		T						
26												
27												
28												
29												
30												
31												
Totals	0.00	0.03	0.00	1.00	0.50	0.00	0.00	0.00	0.00	0.00	0.00	0.00
	Water Year Total: 1.53											

NOTE: All Values are in units of inches, unless otherwise specified.

LEGEND: A - Acculated Total  
 E - Estimated  
 T - Trace, unmeasurable amount of rain

Data Revised: March 2011

**PRECIPITATION**

**DAILY RAINFALL SUMMARY**

**1212 Lancaster FSS/FAA**

Gage Type: Standard 8 inch diameter

Observation Time: 800

Latitude 34-44-00

Longitude: 118-13-00

Elevation: 2340 Feet

Water Year from 10/01/1998 to 09/30/1999

Day	Oct	Nov	Dec	Jan	Feb	Mar	Apr	May	Jun	Jul	Aug	Sep
1			0.09						0.16			
2									T			
3			0.03			T	0.20		0.02			
4			0.05									
5			T		0.02							
6			0.05				0.10					
7							0.03					
8							0.05					
9					0.47	T	T					
10		T			T							
11		0.23					0.30			0.15		
12							0.21			0.72		
13										0.08		
14												
15		0.15										
16												
17												
18												
19												
20				0.08								
21												
22												
23						T	T	T				
24	T			0.50				T				
25				0.40		T						
26				0.11								
27				0.06								
28												
29												
30							T					
31				0.20		T						
Totals	0.00	0.38	0.22	1.35	0.49	0.00	0.89	0.00	0.18	0.95	0.00	0.00
										Water Year Total:		4.46

NOTE: All Values are in units of inches, unless otherwise specified.

LEGEND: A - Acculated Total  
 E - Estimated  
 T - Trace, unmeasurable amount of rain

Data Revised: March 2011

**PRECIPITATION**

**DAILY RAINFALL SUMMARY**

**1216 Rancho Palos Verdes**

Gage Type: Standard 8 inch diameter (DPW)

Observation Time: 800

Latitude 33-45-10

Longitude: 118-23-32

Elevation: 780 Feet

Water Year from 10/01/1998 to 09/30/1999

Day	Oct	Nov	Dec	Jan	Feb	Mar	Apr	May	Jun	Jul	Aug	Sep
1									0.69			
2							0.03		0.20			
3												
4					0.12		0.41					
5			0.18		0.26							
6												
7		0.75					0.04					
8					0.46		0.03			0.28		
9					0.32	0.25						
10		0.10										
11						0.38	0.68					
12							0.03					
13												
14												
15						0.24						
16												
17												
18												
19			0.21	0.46		0.56						
20				0.28								
21												
22							0.02					
23				0.50								0.02
24				0.05		0.12						
25				0.20		0.68						
26				0.22								
27		0.37										
28		0.20										
29												
30				0.20								
31												
Totals	0.00	1.42	0.39	1.91	1.16	2.23	1.24	0.00	0.89	0.28	0.00	0.02
										Water Year Total:		9.54

NOTE: All Values are in units of inches, unless otherwise specified.

LEGEND: A - Acculated Total  
 E - Estimated  
 T - Trace, unmeasurable amount of rain

Data Revised: March 2011



**PRECIPITATION**

**DAILY RAINFALL SUMMARY**

**1217 Los Angeles Country Club**

Gage Type: Standard 8 inch diameter (DPW)

Observation Time: 800

Latitude 34-04-10

Longitude: 118-25-17

Elevation: 380 Feet

Water Year from 10/01/1998 to 09/30/1999

Day	Oct	Nov	Dec	Jan	Feb	Mar	Apr	May	Jun	Jul	Aug	Sep
1									0.69			
2			0.32						0.12			
3												
4			0.04		0.12							
5							0.18					
6			0.24		0.06		0.72					
7		1.15					0.17					
8					0.03		0.12					
9					0.37	0.10						
10												
11		0.05					1.51					
12							0.02			0.02		
13												
14												
15						0.70						
16												
17												
18												
19												
20				0.14		0.18						
21						0.20						
22												
23								0.01				
24				0.33		0.08						
25				0.08		0.99						
26				0.66								
27		0.39										
28		0.17										
29	A						0.08					
30	0.07A			0.03								
31				0.35								
Totals	0.07	1.76	0.60	1.59	0.58	2.25	2.80	0.01	0.81	0.02	0.00	0.00
												Water Year Total: 10.49

NOTE: All Values are in units of inches, unless otherwise specified.

LEGEND: A - Acculated Total  
 E - Estimated  
 T - Trace, unmeasurable amount of rain

Data Revised: March 2011

**PRECIPITATION**

**DAILY RAINFALL SUMMARY**

**1222 Northridge-Garland**

Gage Type: 8.81 inch diameter (DPW)

Observation Time: 800

Latitude 34-14-17

Longitude: 118-30-59

Elevation: 911 Feet

Water Year from 10/01/1998 to 09/30/1999

Day	Oct	Nov	Dec	Jan	Feb	Mar	Apr	May	Jun	Jul	Aug	Sep
1			0.08									
2							0.09					
3									0.30			
4			0.03									
5					0.04							
6			0.18				0.89					
7							0.52					
8		0.79					0.04					
9					0.47	0.17						
10					0.02							
11		0.11				0.06	0.30					
12							0.77					
13												
14												
15						0.49						
16												
17												
18												
19												
20			0.02	0.20		0.40						
21												
22												
23							0.04					
24												
25				0.53		0.74						
26				0.30								
27				0.16								
28		0.45										
29												
30	0.14											
31				0.58								
Totals	0.14	1.35	0.31	1.77	0.53	1.86	2.65	0.00	0.30	0.00	0.00	0.00
											Water Year Total:	8.91

NOTE: All Values are in units of inches, unless otherwise specified.

LEGEND: A - Acculated Total  
 E - Estimated  
 T - Trace, unmeasurable amount of rain

Data Revised: March 2011

**PRECIPITATION**

**DAILY RAINFALL SUMMARY**

**1223 Woodland Hills-Sherman**

Gage Type: 8.81 inch diameter (DPW)

Observation Time: 800

Latitude 34-10-06

Longitude: 118-38-57

Elevation: 1035 Feet

Water Year from 10/01/1998 to 09/30/1999

Day	Oct	Nov	Dec	Jan	Feb	Mar	Apr	May	Jun	Jul	Aug	Sep
1			0.29				0.12					
2	0.02		0.02						0.21			
3			0.01						0.09			
4			0.01		T				0.07			
5			0.16		0.31							
6			0.16				0.40					
7							0.35					
8		0.49			0.04		A					
9					0.41	0.08	A					
10					T		0.05A					
11		0.14				0.07	0.57					
12							0.99					
13							T					
14												
15						0.75						
16						0.02						
17												
18												
19			0.01									
20				0.13		0.37						
21												0.29
22							T	0.02				T
23						0.01						
24							0.18					
25	0.01			0.44		0.84						
26				0.36		0.02						
27				0.08		T						
28		0.78										
29												
30												
31				0.41		T						
Totals	0.03	1.41	0.66	1.42	0.76	2.16	2.66	0.02	0.37	0.00	0.00	0.29
												Water Year Total: 9.78

NOTE: All Values are in units of inches, unless otherwise specified.

LEGEND: A - Acculated Total  
 E - Estimated  
 T - Trace, unmeasurable amount of rain

Data Revised: March 2011

**PRECIPITATION**

**DAILY RAINFALL SUMMARY**

**1239 Malibu-Big Rock Mesa**

Gage Type: Daily Automatic (DPW)

Observation Time: 2400

Latitude 34-02-34

Longitude: 118-37-16

Elevation: 725 Feet

Water Year from 10/01/1998 to 09/30/1999

Day	Oct	Nov	Dec	Jan	Feb	Mar	Apr	May	Jun	Jul	Aug	Sep
1			0.44				0.11		0.04			
2									0.39			
3			0.04						0.04			
4			0.07		0.08							
5												
6			0.32				0.71					
7		0.04					0.20					
8		1.57			0.04		0.04					
9					0.27	0.08						
10												
11		0.08				0.08	1.42					
12							0.04					
13												
14												
15						0.87						0.08
16						0.04						
17												
18												
19				0.12								
20				0.08		0.39						
21												
22												
23												
24												
25				0.23		0.99						
26				0.36								
27												
28		0.51								0.20		
29												
30												
31				0.39								
Totals	0.00	2.20	0.87	1.18	0.39	2.45	2.52	0.00	0.47	0.20	0.00	0.08
											Water Year Total:	10.36

NOTE: All Values are in units of inches, unless otherwise specified.

LEGEND: A - Acculated Total  
 E - Estimated  
 T - Trace, unmeasurable amount of rain

Data Revised: March 2011

**PRECIPITATION**

**DAILY RAINFALL SUMMARY**

**1240 Pearblossom-Calif.D.W.R. Booster Sta.**

Gage Type: Standard 8 inch diameter

Observation Time: 800

Latitude 34-30-32

Longitude: 117-55-15

Elevation: 3050 Feet

Water Year from 10/01/1998 to 09/30/1999

Day	Oct	Nov	Dec	Jan	Feb	Mar	Apr	May	Jun	Jul	Aug	Sep
1					0.04			0.03				
2			0.06						0.46			
3												
4												
5			0.02									
6			0.06		0.02							
7							0.16					
8												
9							0.06					
10												
11		0.24			0.26							
12		0.10					0.15			0.07		
13							0.36					
14												
15												
16						0.14						
17												
18												
19												
20												
21						0.02						
22												
23								0.08				
24							0.03					
25				0.30								
26				0.03		0.01						
27				0.14								
28		0.17						0.17				
29		0.12										
30	0.02											
31												
Totals	0.02	0.63	0.14	0.47	0.32	0.17	0.76	0.28	0.46	0.07	0.00	0.00
												Water Year Total: 3.32

NOTE: All Values are in units of inches, unless otherwise specified.

LEGEND: A - Acculated Total  
 E - Estimated  
 T - Trace, unmeasurable amount of rain

Data Revised: March 2011

**PRECIPITATION**

**DAILY RAINFALL SUMMARY**

**1242 Rocky Buttes**

Gage Type: Daily Automatic (DPW)

Observation Time: 2400

Latitude 34-39-00

Longitude: 117-51-48

Elevation: 2540 Feet

Water Year from 10/01/1998 to 09/30/1999

Day	Oct	Nov	Dec	Jan	Feb	Mar	Apr	May	Jun	Jul	Aug	Sep
1												
2									0.11E			
3									0.01E			
4			0.04									
5												
6			0.04				0.02E					
7							0.04E					
8												
9					0.08E		0.03E					
10					0.08E							
11		0.08E					0.04E			0.12E		
12		0.01E					0.13E			0.09E		
13										0.02E		
14												
15						0.04E						
16												
17												
18												
19												
20				0.06E								
21												
22												
23							0.04E					
24												
25				0.24E								
26				0.02E								
27				0.05E								
28	0.04	0.10E										
29												
30							0.04E					
31												
Totals	0.04	0.19	0.08	0.37	0.16	0.04	0.34	0.00	0.12	0.23	0.00	0.00
										Water Year Total:		1.57

NOTE: All Values are in units of inches, unless otherwise specified.

LEGEND: A - Acculated Total  
 E - Estimated  
 T - Trace, unmeasurable amount of rain

Data Revised: March 2011

**PRECIPITATION**

**DAILY RAINFALL SUMMARY**

**1243 Redman**

Gage Type: Daily Automatic (DPW)

Observation Time: 2400

Latitude 34-45-52

Longitude: 117-55-30

Elevation: 2360 Feet

Water Year from 10/01/1998 to 09/30/1999

Day	Oct	Nov	Dec	Jan	Feb	Mar	Apr	May	Jun	Jul	Aug	Sep
1									0.08E			
2												
3			0.06E						0.02E			
4												
5			0.02E									
6							0.06E					
7							0.02E					
8												
9					0.23E		0.08E					
10												
11		0.07E					0.10E			0.12E		
12		0.02E					0.14E			0.17E		
13										0.09E		
14												
15				0.08		0.03E						
16												
17												
18												
19												
20			0.02E	0.28								
21				0.04								
22				0.04				0.03E				
23							0.04					
24												
25												
26				0.08								
27												
28		0.12E										
29												
30							0.04					
31						0.01E						
Totals	0.00	0.21	0.10	0.52	0.23	0.04	0.48	0.03	0.10	0.38	0.00	0.00
												Water Year Total: 2.09

NOTE: All Values are in units of inches, unless otherwise specified.

LEGEND: A - Acculated Total  
 E - Estimated  
 T - Trace, unmeasurable amount of rain

Data Revised: March 2011

**PRECIPITATION**

**DAILY RAINFALL SUMMARY**

**1249 Relay**

Gage Type: Daily Automatic (DPW)

Observation Time: 2400

Latitude 34-45-43

Longitude: 117-47-55

Elevation: 3140 Feet

Water Year from 10/01/1998 to 09/30/1999

Day	Oct	Nov	Dec	Jan	Feb	Mar	Apr	May	Jun	Jul	Aug	Sep
1												
2												
3												
4												
5												
6												
7												
8												
9												
10												
11										0.08E		
12										0.09E		
13												
14												
15												
16												
17												
18												
19												
20				0.12								
21												
22												
23							0.12					
24												
25				0.28				0.04				
26												
27				0.08								
28	0.08	0.08										
29												
30							0.12					
31				0.08								
Totals	0.08	0.08	0.00	0.56	0.00	0.00	0.24	0.04	0.00	0.17	0.00	0.00
										Water Year Total:		1.17

NOTE: All Values are in units of inches, unless otherwise specified.

LEGEND: A - Acculated Total  
 E - Estimated  
 T - Trace, unmeasurable amount of rain

Data Revised: March 2011



**PRECIPITATION**

**DAILY RAINFALL SUMMARY**

**1252 Palos Verdes Landfill**

Gage Type: Standard 8 inch diameter

Observation Time: 800

Latitude 33-45-40

Longitude: 118-20-03

Elevation: 400 Feet

Water Year from 10/01/1998 to 09/30/1999

Day	Oct	Nov	Dec	Jan	Feb	Mar	Apr	May	Jun	Jul	Aug	Sep
1			0.30				0.06		0.60			
2									0.18			
3			0.07						0.04			
4			0.09		0.21							
5			A		0.12		0.02					
6			0.16A				0.44					
7							0.10					
8		0.65			0.04		0.09					
9					0.31	0.12						
10												
11												
12												
13												
14						0.38						
15						0.60						
16												
17												
18												
19			A	0.12		0.28						
20			0.08A	0.10		0.03						
21												
22								0.39				
23												
24				0.39		0.08						
25				0.15		0.73						
26				0.40								
27		0.65										
28												
29		0.20										
30												
31				0.32								
Totals	0.00	1.50	0.70	1.48	0.68	2.22	0.71	0.39	0.82	0.00	0.00	0.00
										Water Year Total:		8.50

NOTE: All Values are in units of inches, unless otherwise specified.

LEGEND: A - Acculated Total  
 E - Estimated  
 T - Trace, unmeasurable amount of rain

Data Revised: March 2011

**PRECIPITATION**

**DAILY RAINFALL SUMMARY**

**1254 Long Beach Reclamation Plant**

Gage Type: Standard 8 inch diameter

Observation Time: 800

Latitude 33-48-11

Longitude: 118-05-20

Elevation: 20 Feet

Water Year from 10/01/1998 to 09/30/1999

Day	Oct	Nov	Dec	Jan	Feb	Mar	Apr	May	Jun	Jul	Aug	Sep
1							0.01		0.38			
2			0.20									
3						0.02						
4			0.02		0.25							
5			0.02		0.01							
6			0.27				0.62					
7							0.13			0.03		
8		1.00					0.08			0.06		
9					0.20	0.16						
10												
11						0.12	1.75					
12		0.04					0.01					
13												
14												
15						0.59						
16												
17												
18												
19			0.12	0.10		0.08						
20				0.13		0.03						
21												
22			0.01					0.02				
23								0.07				
24				0.35		0.01						
25				0.08		0.51						
26				0.54								
27												
28		0.19										
29		0.22										
30												
31				0.48								
Totals	0.00	1.45	0.64	1.68	0.46	1.52	2.60	0.09	0.38	0.09	0.00	0.00
												Water Year Total: 8.91

NOTE: All Values are in units of inches, unless otherwise specified.

LEGEND: A - Acculated Total  
 E - Estimated  
 T - Trace, unmeasurable amount of rain

Data Revised: March 2011

**PRECIPITATION**

**DAILY RAINFALL SUMMARY**

**1255 Los Coyotes Reclamation Plant**

Gage Type: Standard 8 inch diameter

Observation Time: 800

Latitude 33-53-05

Longitude: 118-06-24

Elevation: 70 Feet

Water Year from 10/01/1998 to 09/30/1999

Day	Oct	Nov	Dec	Jan	Feb	Mar	Apr	May	Jun	Jul	Aug	Sep
1							0.16		0.38			
2			0.29						0.01			
3						0.04	0.02		0.01			
4			0.08		0.30							
5					0.03							
6			0.34				0.55					
7							0.30					
8		0.89					0.02			0.02		
9					0.23	0.05						
10												
11		0.03				0.04	1.53					
12		0.02					0.03					
13												
14												
15						0.62						
16												
17												
18												
19			0.07			0.10						
20				0.10		0.07						
21			0.02									
22								0.03				
23								0.09				
24				0.41								
25				0.04		0.54						
26				0.68								
27												
28		0.28										
29		0.12										
30												
31				0.29								
Totals	0.00	1.34	0.80	1.52	0.56	1.46	2.61	0.12	0.40	0.02	0.00	0.00
												Water Year Total: 8.83

NOTE: All Values are in units of inches, unless otherwise specified.

LEGEND: A - Acculated Total  
 E - Estimated  
 T - Trace, unmeasurable amount of rain

Data Revised: March 2011

**PRECIPITATION**

**DAILY RAINFALL SUMMARY**

**1256 South Gate Transfer Station**

Gage Type: Standard 8 inch diameter

Observation Time: 800

Latitude 33-56-40

Longitude: 118-09-56

Elevation: 100 Feet

Water Year from 10/01/1998 to 09/30/1999

Day	Oct	Nov	Dec	Jan	Feb	Mar	Apr	May	Jun	Jul	Aug	Sep
1			0.25				0.11		0.58			
2									0.18			
3			0.04						0.02			
4			0.05		0.13	0.01						
5					0.04							
6			0.31				0.50					
7							0.17					
8		0.05					0.13					
9					0.31	0.05						
10												
11						0.03	1.40					
12							0.03					
13												
14												
15						0.15						
16												
17												
18												
19				0.18								
20			0.06	0.09		0.20						
21												
22												
23												
24				0.40		0.04						
25				0.10		0.49						
26				0.47								
27		0.21										
28												
29		0.09										
30												
31				0.19								
Totals	0.00	0.35	0.71	1.43	0.48	0.97	2.34	0.00	0.78	0.00	0.00	0.00
												Water Year Total: 7.06

NOTE: All Values are in units of inches, unless otherwise specified.

LEGEND: A - Acculated Total  
 E - Estimated  
 T - Trace, unmeasurable amount of rain

Data Revised: March 2011

**PRECIPITATION**

**DAILY RAINFALL SUMMARY**

**1257 San Jose Creek Reclamation Plant**

Gage Type: Standard 8 inch diameter

Observation Time: 800

Latitude 34-01-55

Longitude: 118-01-16

Elevation: 275 Feet

Water Year from 10/01/1998 to 09/30/1999

Day	Oct	Nov	Dec	Jan	Feb	Mar	Apr	May	Jun	Jul	Aug	Sep
1							0.16		0.67			
2			0.09						0.08			
3						0.05			0.09			
4					0.29							
5			0.07		0.12		0.01					
6			0.22				0.68					
7							0.15					
8		0.54					0.02			0.05		
9					0.42	0.04						
10												
11		0.04				0.01	0.94					
12							0.01					
13												
14												
15						0.45						
16												
17												
18						0.09						
19			0.08			0.03						
20												
21												
22						0.01		0.02				
23							0.02					
24				0.35								
25				0.15		0.16						
26				0.48								
27												
28		0.33										
29		0.10										
30				0.09								
31				0.18								
Totals	0.00	1.01	0.46	1.25	0.83	0.84	1.99	0.02	0.84	0.05	0.00	0.00
											Water Year Total:	7.29

NOTE: All Values are in units of inches, unless otherwise specified.

LEGEND: A - Acculated Total  
 E - Estimated  
 T - Trace, unmeasurable amount of rain

Data Revised: March 2011

**PRECIPITATION**

**DAILY RAINFALL SUMMARY**

**1258 Puente Hills Landfill**

Gage Type: Standard 8 inch diameter

Observation Time: 800

Latitude 34-01-35

Longitude: 118-01-49

Elevation: 300 Feet

Water Year from 10/01/1998 to 09/30/1999

Day	Oct	Nov	Dec	Jan	Feb	Mar	Apr	May	Jun	Jul	Aug	Sep
1			0.09				0.14		0.69			
2									0.10			
3			0.03						0.09			
4			0.07		0.37	0.05						
5			A		0.09		0.01					
6			0.23A				0.70					
7							0.19					
8		0.60					0.10					
9					0.46	0.06				0.04		
10												
11						0.01	0.98					
12							0.01					
13												
14												
15						0.51						
16												
17												
18												
19			A	0.19								
20			0.07A	0.02		0.14						
21												
22												
23								0.03				
24				0.35								
25				0.17		0.17						
26				0.59								
27		0.37										
28												
29		0.08										
30												
31				0.29								
Totals	0.00	1.05	0.49	1.61	0.92	0.94	2.13	0.03	0.88	0.04	0.00	0.00
												Water Year Total: 8.09

NOTE: All Values are in units of inches, unless otherwise specified.

LEGEND: A - Acculated Total  
 E - Estimated  
 T - Trace, unmeasurable amount of rain

Data Revised: March 2011

**PRECIPITATION**

**DAILY RAINFALL SUMMARY**

**1259 Whittier Narrows Reclamation Plant**

Gage Type: Standard 8 inch diameter

Observation Time: 800

Latitude 34-03-59

Longitude: 118-03-54

Elevation: 225 Feet

Water Year from 10/01/1998 to 09/30/1999

Day	Oct	Nov	Dec	Jan	Feb	Mar	Apr	May	Jun	Jul	Aug	Sep
1							0.15		0.61			
2			0.16						0.16			
3									0.02			
4			0.08		0.23							
5			0.03		0.10							
6			0.20				0.58					
7							0.21					
8		0.52					0.05			0.07		
9					0.41	0.07						
10												
11						0.02	0.81					
12		0.08					0.01					
13												
14												
15						0.41						
16												
17												
18												
19			0.03	0.19		0.06						
20				0.05		0.09						
21												
22								0.02				
23							0.07	0.02				
24				0.37		0.01						
25				0.16		0.18						
26				0.50								
27												
28		0.47										
29		0.10										
30				0.14								
31				0.24								
Totals	0.00	1.17	0.50	1.65	0.74	0.84	1.88	0.04	0.79	0.07	0.00	0.00
											Water Year Total:	7.68

NOTE: All Values are in units of inches, unless otherwise specified.

LEGEND: A - Acculated Total  
 E - Estimated  
 T - Trace, unmeasurable amount of rain

Data Revised: March 2011

**PRECIPITATION**

**DAILY RAINFALL SUMMARY**

**1260 Spadra Landfill**

Gage Type: Standard 8 inch diameter

Observation Time: 800

Latitude 34-02-36

Longitude: 117-49-50

Elevation: 700 Feet

Water Year from 10/01/1998 to 09/30/1999

Day	Oct	Nov	Dec	Jan	Feb	Mar	Apr	May	Jun	Jul	Aug	Sep
1			0.04				0.30		0.41			
2									0.01			
3			0.01						0.03			
4			0.10		0.74	0.08						
5			A		0.01			0.05				
6			0.15A				0.57					
7							0.28					
8		0.55					0.12					
9					0.39	0.03				0.08		
10												
11							0.66					
12												
13												
14												
15						0.54						
16												
17												
18												
19			A	0.14		0.01						
20			0.25A	0.03		0.09						
21												
22												
23												
24				0.22								
25				0.09		0.26						
26				0.73								
27		0.27										
28												
29		0.17					0.01					
30												
31				0.25								
Totals	0.00	0.99	0.55	1.46	1.14	1.01	1.94	0.05	0.45	0.08	0.00	0.00
												Water Year Total: 7.67

NOTE: All Values are in units of inches, unless otherwise specified.

LEGEND: A - Acculated Total  
 E - Estimated  
 T - Trace, unmeasurable amount of rain

Data Revised: March 2011



**PRECIPITATION**

**DAILY RAINFALL SUMMARY**

**1261 La Canada Reclamation Plant**

Gage Type: Standard 8 inch diameter

Observation Time: 800

Latitude 34-13-00

Longitude: 118-11-14

Elevation: 1800 Feet

Water Year from 10/01/1998 to 09/30/1999

Day	Oct	Nov	Dec	Jan	Feb	Mar	Apr	May	Jun	Jul	Aug	Sep
1							0.22		0.91			
2			0.11				0.12		0.25			
3						0.05			0.05			
4			0.05		0.20	0.04						
5												
6			0.16				1.32					
7							0.32					
8		0.55			0.13		0.25			0.02		
9					0.90	0.06						
10												
11		0.11				0.05	0.95					
12		0.03					0.15					
13												
14												
15						1.00						
16												
17												
18												
19			0.12	0.30								
20				0.05		0.28						
21												
22								0.40				
23							0.05					
24				1.07								
25				0.30		0.62						
26				0.80								
27												
28		0.62										
29		0.42					0.02					
30				0.61			0.03					
31				0.10								
Totals	0.00	1.73	0.44	3.23	1.23	2.10	3.43	0.40	1.21	0.02	0.00	0.00
												Water Year Total: 13.79

NOTE: All Values are in units of inches, unless otherwise specified.

LEGEND: A - Acculated Total  
 E - Estimated  
 T - Trace, unmeasurable amount of rain

Data Revised: March 2011

**PRECIPITATION**

**DAILY RAINFALL SUMMARY**

**1262 Saugus Reclamation Plant**

Gage Type: Standard 8 inch diameter

Observation Time: 800

Latitude 34-24-48

Longitude: 118-32-23

Elevation: 1150 Feet

Water Year from 10/01/1998 to 09/30/1999

Day	Oct	Nov	Dec	Jan	Feb	Mar	Apr	May	Jun	Jul	Aug	Sep
1									0.17			
2			0.24						0.04			
3									0.11			
4			0.07		0.12							
5							0.16					
6			0.15				0.51					
7												
8		0.26					0.14					
9					0.28	0.10						
10												
11		0.13				0.03	1.01					
12							0.09					
13												
14						0.06						
15						0.03						
16												
17												
18												
19						0.46						
20						0.07						
21												
22												
23							0.06					
24				0.77		0.05						
25				0.10		0.16						
26				0.55								
27												
28		0.34										
29		0.18										
30	0.04			0.46								
31				0.04								
Totals	0.04	0.91	0.46	1.92	0.40	0.96	1.97	0.00	0.32	0.00	0.00	0.00
										Water Year Total:		6.98

NOTE: All Values are in units of inches, unless otherwise specified.

LEGEND: A - Acculated Total  
 E - Estimated  
 T - Trace, unmeasurable amount of rain

Data Revised: March 2011

**PRECIPITATION**

**DAILY RAINFALL SUMMARY**

**1263 Valencia Reclamation Plant**

Gage Type: Standard 8 inch diameter

Observation Time: 800

Latitude 34-25-55

Longitude: 118-37-13

Elevation: 1000 Feet

Water Year from 10/01/1998 to 09/30/1999

Day	Oct	Nov	Dec	Jan	Feb	Mar	Apr	May	Jun	Jul	Aug	Sep
1									0.10			
2			0.11						0.60			
3									0.13			
4			0.05		0.13							
5					0.03		0.23					
6			0.10				0.19					
7							0.01					
8					0.02		0.19					
9					0.19	0.17						
10						0.01						
11		0.12				0.03	1.13					
12		0.02					0.13					
13												
14												
15						0.37						
16												
17												
18												
19						0.55						
20												
21												
22												
23												
24				0.80		0.05						
25				0.12		0.13						
26				0.42								
27												
28		0.50										
29		0.13										
30	0.05			0.44								
31				0.05								
Totals	0.05	0.77	0.26	1.83	0.37	1.31	1.88	0.00	0.83	0.00	0.00	0.00
											Water Year Total:	7.30

NOTE: All Values are in units of inches, unless otherwise specified.

LEGEND: A - Acculated Total  
 E - Estimated  
 T - Trace, unmeasurable amount of rain

Data Revised: March 2011

**PRECIPITATION**

**DAILY RAINFALL SUMMARY**

**1264 Calabasas Landfill**

Gage Type: Standard 8 inch diameter

Observation Time: 800

Latitude 34-08-25

Longitude: 118-42-35

Elevation: 800 Feet

Water Year from 10/01/1998 to 09/30/1999

Day	Oct	Nov	Dec	Jan	Feb	Mar	Apr	May	Jun	Jul	Aug	Sep
1			0.28						0.42			
2									0.08			
3			0.06									
4			0.22		0.35							
5			A		0.03		0.27					
6			0.13A				0.28					
7							0.37					
8		0.46			0.02		0.05					
9					0.43	0.05						
10												
11						0.13	1.02					
12							0.04					
13												
14						0.29						
15						0.39						
16												
17												
18												
19			A	0.14		0.38						
20			0.18A			0.03						
21												
22												
23						0.05						
24				0.45		0.08						
25				0.32		0.81						
26				0.24								
27		0.67										
28												
29		0.31										
30												
31				0.56								
Totals	0.00	1.44	0.87	1.71	0.83	2.21	2.03	0.00	0.50	0.00	0.00	0.00
												Water Year Total: 9.59

NOTE: All Values are in units of inches, unless otherwise specified.

LEGEND: A - Acculated Total  
 E - Estimated  
 T - Trace, unmeasurable amount of rain

Data Revised: March 2011

**PRECIPITATION**

**DAILY RAINFALL SUMMARY**

**1265 Scholl Canyon Landfill**

Gage Type: Standard 8 inch diameter

Observation Time: 800

Latitude 34-08-38

Longitude: 118-11-07

Elevation: 1000 Feet

Water Year from 10/01/1998 to 09/30/1999

Day	Oct	Nov	Dec	Jan	Feb	Mar	Apr	May	Jun	Jul	Aug	Sep
1			0.19				0.27		0.85			
2							0.15		0.26			
3			0.06						0.07			
4			0.02		0.12	0.02						
5			A		0.10		0.05					
6			0.20A				1.14					
7							0.34					
8		0.47			0.08		0.13					
9					0.77	0.05				0.02		
10										0.02		
11						0.07	1.17					
12				0.10								
13												
14						0.07						
15						0.61						
16												
17												
18												
19			A	0.22		0.11						
20			0.01A	0.06		0.12						
21												
22												
23								0.27				
24				0.62		0.04						
25				0.18		0.62						
26				0.61								
27		0.68										
28												
29		0.15										
30												
31				0.34		0.04						
Totals	0.00	1.30	0.48	2.13	1.07	1.75	3.25	0.27	1.18	0.04	0.00	0.00
											Water Year Total:	11.47

NOTE: All Values are in units of inches, unless otherwise specified.

LEGEND: A - Acculated Total  
 E - Estimated  
 T - Trace, unmeasurable amount of rain

Data Revised: March 2011

**PRECIPITATION**

**DAILY RAINFALL SUMMARY**

**1266 Mission Canyon Landfill**

Gage Type: Standard 8 inch diameter

Observation Time: 800

Latitude 34-08-40

Longitude: 118-28-45

Elevation: 1150 Feet

Water Year from 10/01/1998 to 09/30/1999

Day	Oct	Nov	Dec	Jan	Feb	Mar	Apr	May	Jun	Jul	Aug	Sep
1			0.15						0.57			
2									0.10			
3			0.02						0.08			
4					0.08							
5			A		0.04		0.33					
6			0.18A				0.71					
7							0.13					
8		0.72			0.05		0.07					
9					0.49	0.05						
10												
11						0.05	1.40			0.40E		
12							0.05					
13												
14						0.30						
15						0.43						
16												
17												
18												
19				0.04								
20						0.30						
21												
22												
23												
24				0.30		0.08						
25				0.31		0.85						
26				0.23								
27												
28												
29		0.44					0.12					
30												
31				0.59								
Totals	0.00	1.16	0.35	1.47	0.66	2.06	2.81	0.00	0.75	0.40	0.00	0.00
												Water Year Total: 9.66

NOTE: All Values are in units of inches, unless otherwise specified.

LEGEND: A - Acculated Total  
 E - Estimated  
 T - Trace, unmeasurable amount of rain

Data Revised: March 2011

**PRECIPITATION**

**DAILY RAINFALL SUMMARY**

**1267 Lancaster Reclamation Plant**

Gage Type: Standard 8 inch diameter

Observation Time: 800

Latitude 34-46-38

Longitude: 118-09-11

Elevation: 2302 Feet

Water Year from 10/01/1998 to 09/30/1999

Day	Oct	Nov	Dec	Jan	Feb	Mar	Apr	May	Jun	Jul	Aug	Sep
1									0.10			
2			0.14									
3												
4												
5												
6							0.15					
7												
8							0.12					
9					0.31							
10												
11							0.19			0.07		
12		0.10					0.14			0.20		
13										0.20		
14												
15						0.05						
16												
17												
18												
19												
20				0.07								
21												
22								0.07				
23												
24				0.37								
25												
26				0.44								
27												
28		0.15										
29												
30												
31				0.26								
Totals	0.00	0.25	0.14	1.14	0.31	0.05	0.60	0.07	0.10	0.47	0.00	0.00
										Water Year Total:		3.13

NOTE: All Values are in units of inches, unless otherwise specified.

LEGEND: A - Acculated Total  
 E - Estimated  
 T - Trace, unmeasurable amount of rain

Data Revised: March 2011

**PRECIPITATION**

**DAILY RAINFALL SUMMARY**

**1268 Palmdale Reclamation Plant**

Gage Type: Standard 8 inch diameter

Observation Time: 800

Latitude 34-35-30

Longitude: 118-05-10

Elevation: 2565 Feet

Water Year from 10/01/1998 to 09/30/1999

Day	Oct	Nov	Dec	Jan	Feb	Mar	Apr	May	Jun	Jul	Aug	Sep
1									0.10			
2			0.05				0.01		0.01			
3							0.04					
4												
5												
6			0.05				0.11					
7												
8							0.06					
9					0.23							
10												
11							0.26			0.04		
12		0.19					0.23			1.00		
13										0.56		
14												
15						0.12						
16												
17												
18												
19												
20												
21												
22								0.24				
23												
24				0.26								
25				0.02		0.02						
26				0.04								
27												
28		0.19										
29		0.04										
30							0.01					
31				0.05		0.07						
Totals	0.00	0.42	0.10	0.37	0.23	0.21	0.72	0.24	0.11	1.60	0.00	0.00
										Water Year Total:		4.00

NOTE: All Values are in units of inches, unless otherwise specified.

LEGEND: A - Acculated Total  
 E - Estimated  
 T - Trace, unmeasurable amount of rain

Data Revised: March 2011



**PRECIPITATION**

**DAILY RAINFALL SUMMARY**

**1271 Pomona Waste Reclamation Plant**

Gage Type: Standard 8 inch diameter

Observation Time: 800

Latitude 34-03-18

Longitude: 117-47-34

Elevation: 786 Feet

Water Year from 10/01/1998 to 09/30/1999

Day	Oct	Nov	Dec	Jan	Feb	Mar	Apr	May	Jun	Jul	Aug	Sep
1							0.27		0.38			
2									0.02			
3						0.09			0.01			
4			0.02		0.69							
5			0.08									
6			0.17				0.46					
7							0.34					
8		0.55					0.14			0.03		
9					0.33	0.04						
10												
11		0.02				0.01	0.69					
12												
13								0.02				
14												
15						0.48						
16												
17												
18												
19			0.12	0.19								
20				0.02		0.09						
21												
22												
23												
24				0.27								
25	0.03			0.10		0.23						
26				0.81								
27												
28		0.30										
29		0.08										
30							0.04					
31				0.22								
Totals	0.03	0.95	0.39	1.61	1.02	0.94	1.94	0.02	0.41	0.03	0.00	0.00
										Water Year Total:		7.34

NOTE: All Values are in units of inches, unless otherwise specified.

LEGEND: A - Acculated Total  
 E - Estimated  
 T - Trace, unmeasurable amount of rain

Data Revised: March 2011

**PRECIPITATION**

**DAILY RAINFALL SUMMARY**

**1274 Whittier - Valna Drive**

Gage Type: Standard 8 inch diameter (DPW)

Observation Time: 800

Latitude 33-57-39

Longitude: 118-01-10

Elevation: 255 Feet

Water Year from 10/01/1998 to 09/30/1999

Day	Oct	Nov	Dec	Jan	Feb	Mar	Apr	May	Jun	Jul	Aug	Sep
1					0.02							
2			0.21				0.19					
3									0.94			
4			0.23			0.06			0.03			
5			0.02		0.27	0.02			0.02			
6			0.27		0.02							
7						0.02	0.03					
8		0.60					0.53					
9							0.18					
10					0.40	0.03	0.08			0.04		
11		0.02										
12		0.01				0.03						
13							1.68					
14							0.02					
15						0.16						
16						0.80						
17												
18												
19												
20			0.16	0.18		0.06						
21			0.04	0.10		0.08						
22												
23												
24												
25								0.03				
26				0.48								
27		0.22		0.22		0.25						
28				0.45								
29		0.29										
30												
31				0.28								
Totals	0.00	1.14	0.93	1.71	0.71	1.51	2.71	0.03	0.99	0.04	0.00	0.00
												Water Year Total: 9.77

NOTE: All Values are in units of inches, unless otherwise specified.

LEGEND: A - Acculated Total  
 E - Estimated  
 T - Trace, unmeasurable amount of rain

Data Revised: March 2011

**PRECIPITATION**

**DAILY RAINFALL SUMMARY**

**1277 DPW Headquarters, Fremont**

Gage Type: Daily Automatic (DPW)

Observation Time: 2400

Latitude 34-05-12

Longitude: 118-09-01

Elevation: 450 Feet

Water Year from 10/01/1998 to 09/30/1999

Day	Oct	Nov	Dec	Jan	Feb	Mar	Apr	May	Jun	Jul	Aug	Sep
1			0.12				0.23					
2							0.35		0.63		0.23	
3									0.16			
4			0.04		0.16							
5			0.04		0.12							
6			0.16				1.85					
7							0.67					
8		1.55					0.16					
9					0.16							
10					0.19							
11		0.18					0.59					
12							0.83					
13												
14												
15						0.40						
16												
17												
18												
19												
20				0.20		0.11						
21												
22												
23												
24												
25				0.31		0.28						
26				0.67								
27												
28		1.65										
29												
30							0.10					
31				0.47								
Totals	0.00	3.38	0.36	1.65	0.63	0.79	4.78	0.00	0.79	0.00	0.23	0.00
											Water Year Total:	12.61

NOTE: All Values are in units of inches, unless otherwise specified.

LEGEND: A - Acculated Total  
 E - Estimated  
 T - Trace, unmeasurable amount of rain

Data Revised: March 2011

# **APPENDIX B**

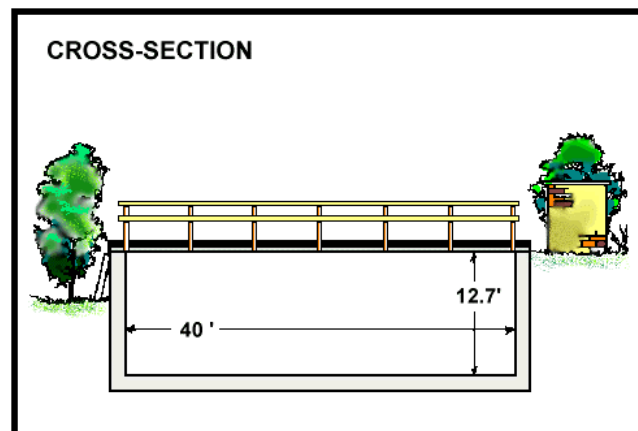
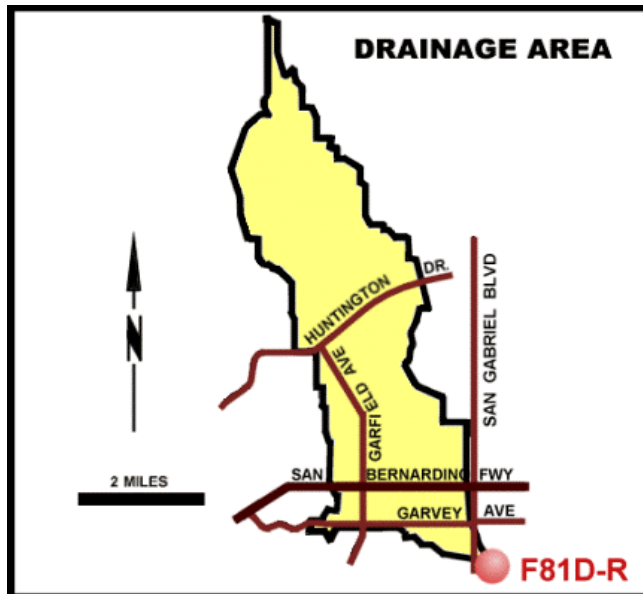
**RUNOFF - STREAM GAGING STATION INFORMATION**

## RUNOFF - STREAM GAGING STATION INFORMATION

# ALHAMBRA WASH

*above Klingerman Street*

## STATION NO. F81D-R



**RECORDER** 5 min. interval data logger.

**METHOD OF MEASUREMENT** wading or from footbridge.

**DRAINAGE AREA** 15.20 square miles.

**LOCATION** 250 feet *above* Klingerman Street and 2650 feet *below* Garvey Avenue, South San Gabriel

**REGULATION** none.

**DIVERSION** none.

**CHANNEL** concrete, rectangular in section, 40.0 feet wide by 12.7 feet deep.

**CONTROL** channel forms control.

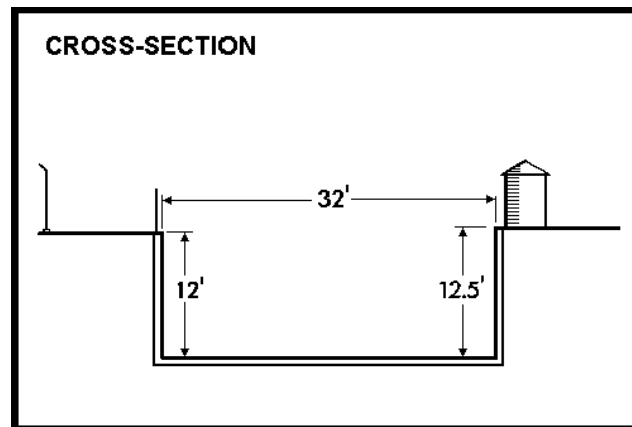
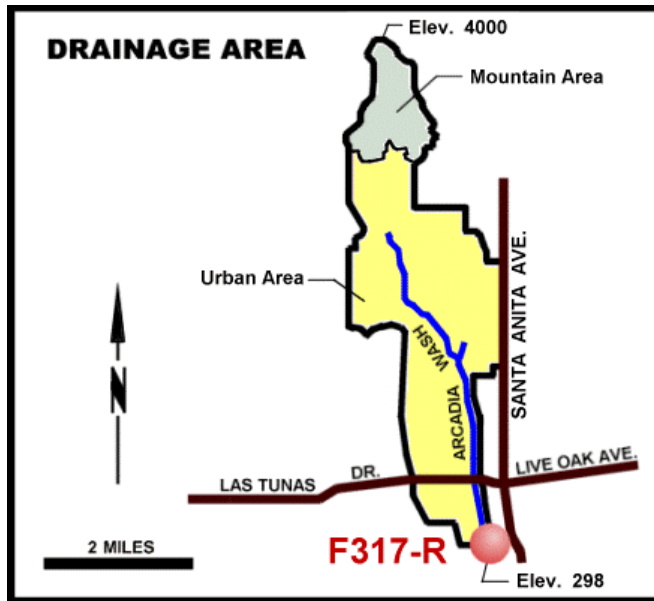
**LENGTH OF RECORD** at Station F81-R, January 14, 1930 to September 30, 1934; at Station F81B-R, October 1, 1934 to February 25, 1935; at Station F81C-R February 25, 1935 to April 27, 1936; at Station F81B-R April 27, 1936 to May 22, 1936; at Station F81D-R, September 2, 1936 to date.

## RUNOFF - STREAM GAGING STATION INFORMATION

# ARCADIA WASH

*below Grand Avenue*

## STATION NO. F317-R



**RECORDER** 5 min. interval data logger.

**METHOD OF MEASUREMENT** low flows measured by wading. High flows measured from upstream side of Grand Avenue bridge.

**DRAINAGE AREA** 8.50 square miles.

**LOCATION** on the west wall of Arcadia Wash about 75 feet downstream from centerline of Grand Avenue.

**REGULATION** several debris basins located upstream.

**DIVERSION** none.

**CHANNEL** concrete, rectangular section.

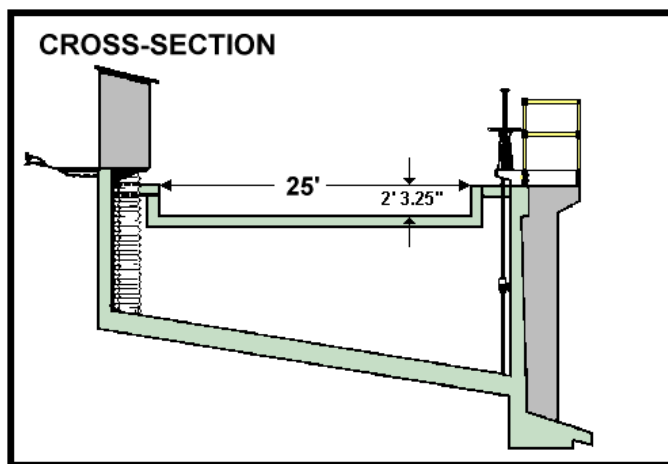
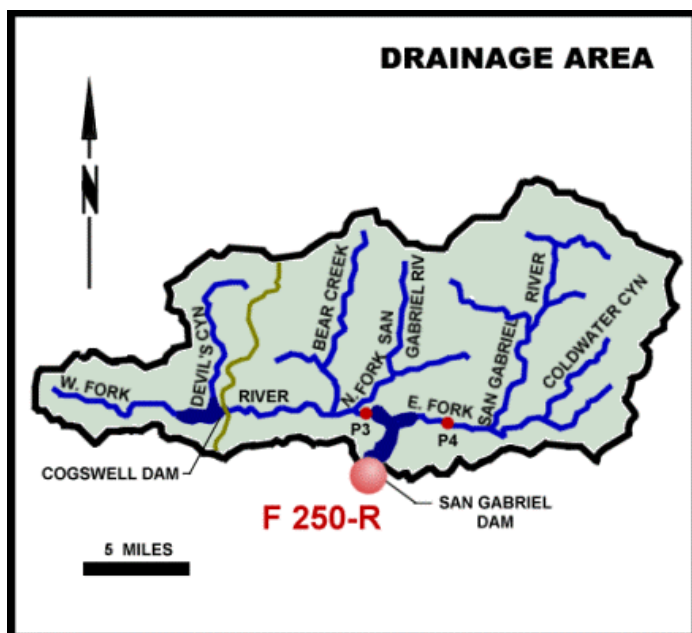
**CONTROL**

**LENGTH OF RECORD** December 12, 1955 to date.

## RUNOFF - STREAM GAGING STATION INFORMATION

# AZUSA CONDUIT

(Sandbox 20' weir)  
STATION NO. F250-R



**RECORDER** 5 min. interval data logger.

**METHOD OF MEASUREMENT** weir formula with gage height observation.

**DRAINAGE AREA** 202.70 square miles.

**LOCATION** on the concrete conduit which diverts from San Gabriel Dam, 160 feet below the dam.

**REGULATION** regulated in section.

**DIVERSION** none.

**CHANNEL** 25-foot concrete weir.

**CONTROL** channel forms control.

**LENGTH OF RECORD** February 26, 1933 to date.

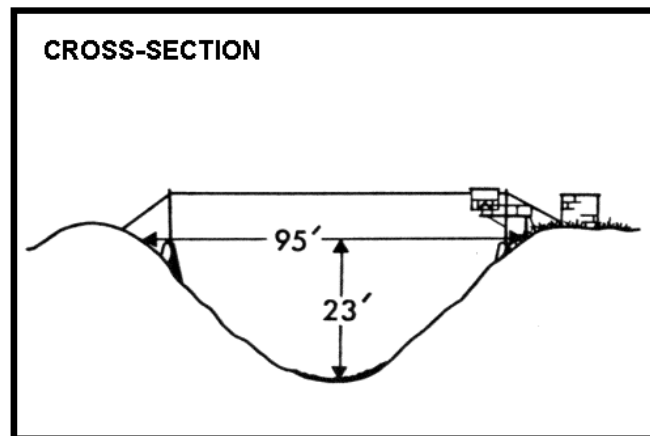
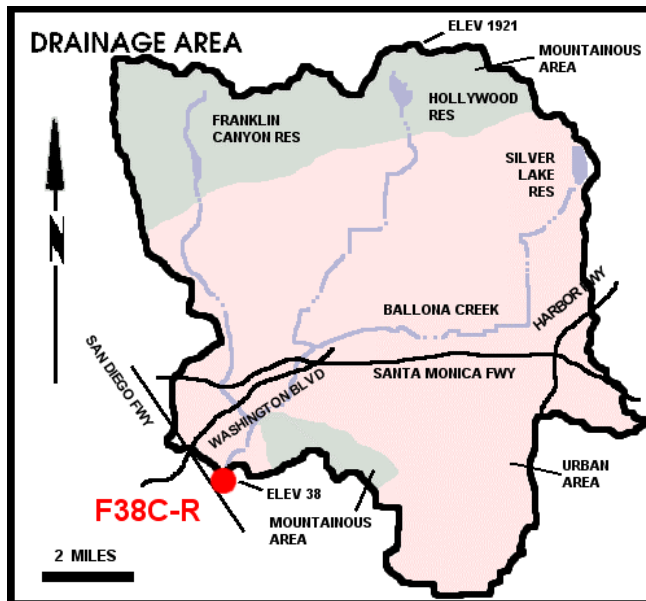
**REMARKS** approximate capacity 95 second-feet.

## RUNOFF - STREAM GAGING STATION INFORMATION

# BALLONA CREEK

*above Sawtelle Blvd.*

## STATION NO. F38C-R



**RECORDER** continuous water stage.

**METHOD OF MEASUREMENT** wading or from cable car.

**DRAINAGE AREA** 88.60 square miles.

**LOCATION** 530.0 feet above Sawtelle Boulevard, 1.5 miles southwest of Culver City.

**REGULATION** Stone Canyon Reservoir prior to January, 1951. Upper and Lower Franklin Canyon Reservoir, Hollywood Reservoir, and Silverlake Reservoir.

**DIVERSION** none.

**CHANNEL** concrete rubble, trapezoidal in section.

**CONTROL** channel forms control.

**LENGTH OF RECORD** at station F38-R, February 27, 1928 to April 27, 1936; at Station F38B-R, May 14, 1936 to August 10, 1967; at Station F38C-R, August 10, 1967 to date.

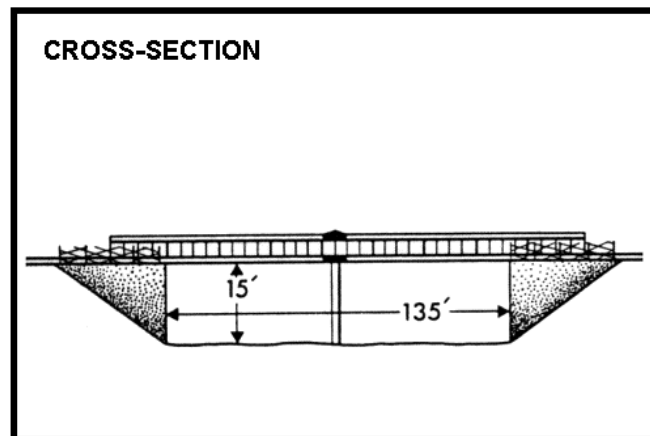
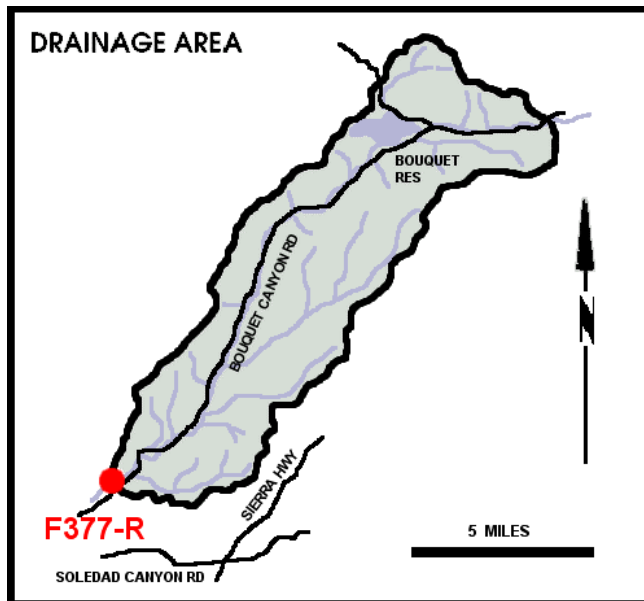


## RUNOFF - STREAM GAGING STATION INFORMATION

# BOUQUET CANYON CREEK

@ Urbandale Avenue

STATION NO. F377-R



**RECORDER** continuous water stage.

**METHOD OF MEASUREMENT** wading or from bridge.

**DRAINAGE AREA** 51.90 square miles.

**LOCATION** Bouquet Canyon Creek @ Urbandale Avenue, 3.5 miles northeast of Saugus.

**REGULATION** Bouquet Reservoir.

**DIVERSION** none.

**CHANNEL** concrete sides with natural bottom, trapezoidal in section.

**CONTROL** concrete stabilizer.

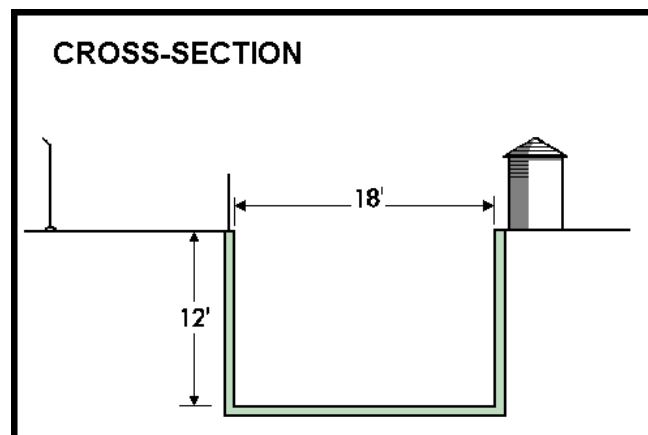
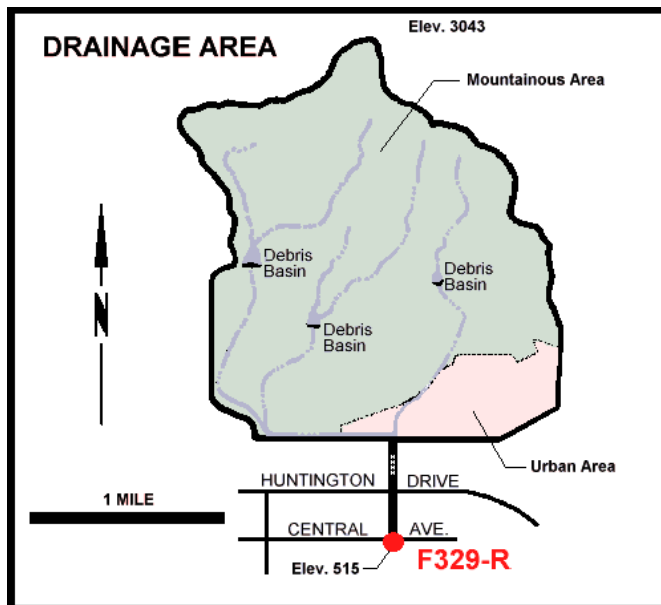
**LENGTH OF RECORD** October 11, 1967 to date.

## RUNOFF - STREAM GAGING STATION INFORMATION

# BRADBURY CHANNEL

*below Central Avenue*

## STATION NO. F329-R



**RECORDER** 5 min. interval data logger.

**METHOD OF MEASUREMENT** low flows measured by wading. High flows measured from footbridge four feet downstream from recorder.

**DRAINAGE AREA** 3.30 square miles.

**LOCATION** on the east wall of Bradbury Channel, 200 feet downstream from the centerline of Central Avenue, one mile east of Duarte.

**REGULATION** two debris basins located upstream.

**DIVERSION** none.

**CHANNEL** rectangular concrete, 18 feet wide, 12 feet deep.

**CONTROL** channel forms control.

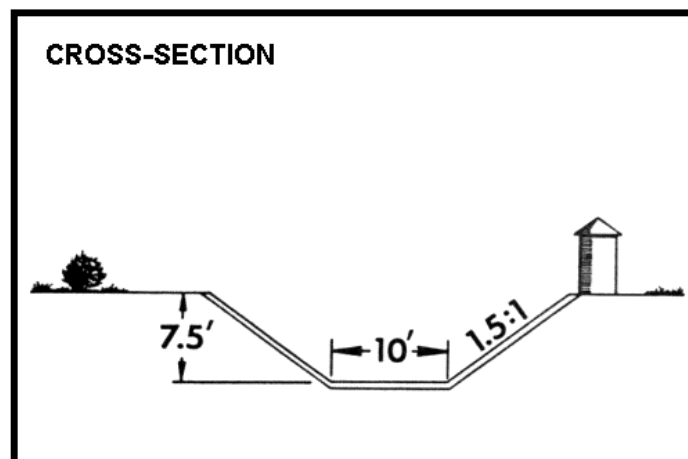
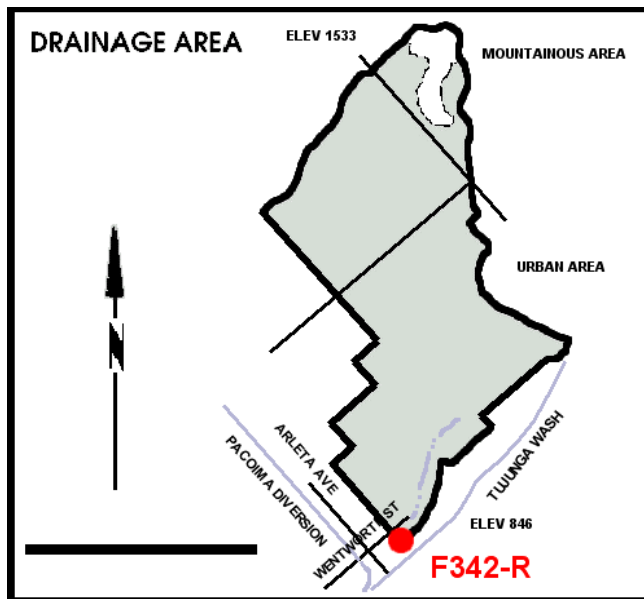
**LENGTH OF RECORD** June 14, 1957 to date.

## RUNOFF - STREAM GAGING STATION INFORMATION

# BRANFORD STREET CHANNEL

*below Sharp Avenue*

## STATION NO. F342-R



**RECORDER** 15 min. punch tape.

**METHOD OF MEASUREMENT** low flows measured by wading. High flows measured by floats.

**DRAINAGE AREA** 5.01 square miles.

**LOCATION** on the south bank of channel, 125 feet downstream from Sharp Avenue, about 3.6 miles south of San Fernando.

**REGULATION** flow from Lopez Creek is diverted to Hansen Dam at the mouth of Lopez Canyon.

**DIVERSION** none.

**CHANNEL** trapezoidal, 10 feet wide at bottom and 7.5 feet deep with 1.5 to 1 side slopes.

**CONTROL** channel forms control.

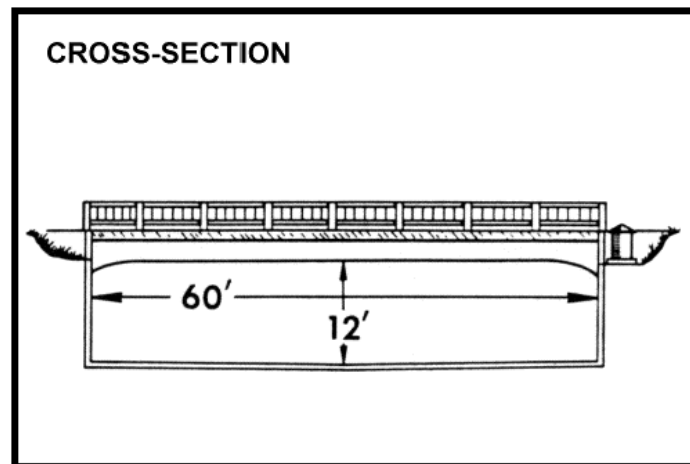
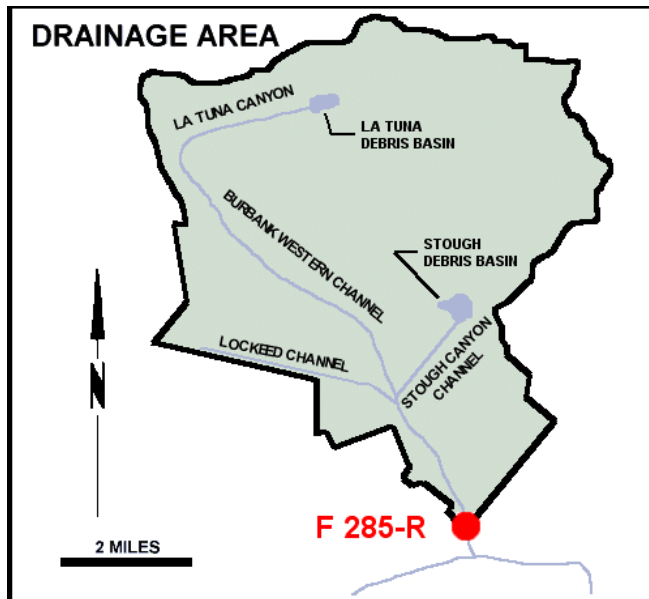
**LENGTH OF RECORD** January 12, 1962 to date.

## RUNOFF - STREAM GAGING STATION INFORMATION

# BURBANK WESTERN STORM DRAIN

## @ Riverside Drive

### STATION NO. E285-R



**RECORDER** continuous water stage.

**METHOD OF MEASUREMENT** wading or from bridge.

**DRAINAGE AREA** 25 square miles.

**LOCATION** 20 feet upstream from Riverside Drive, Glendale.

**REGULATION** several debris basins on tributaries.

**DIVERSION** none.

**CHANNEL** concrete, rectangular section.

**CONTROL** channel forms control.

**LENGTH OF RECORD** October 1, 1949 to date.

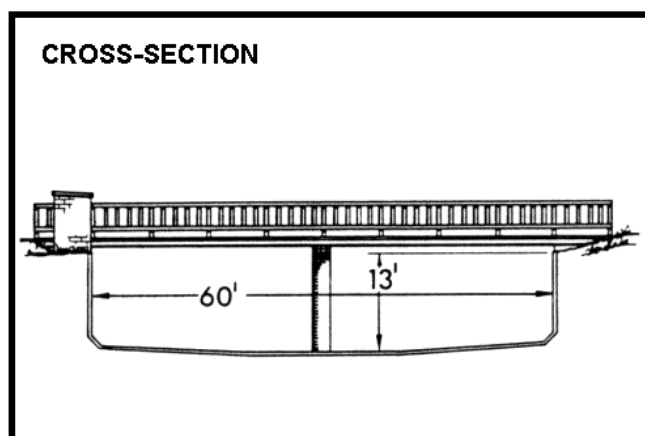
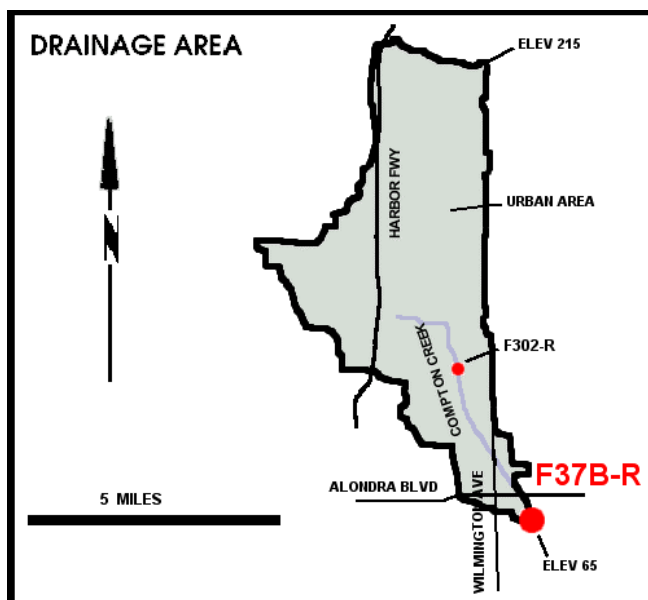
**REMARKS** operated in cooperation with the USCE.

## RUNOFF - STREAM GAGING STATION INFORMATION

# COMPTON CREEK

*near Greenleaf Drive*

## STATION NO. F37B-R



**RECORDER** continuous water stage.

**METHOD OF MEASUREMENT** wading or from bridge.

**DRAINAGE AREA** 22.60 square miles.

**LOCATION** 120.0 feet above Greenleaf Boulevard, 1.5 miles south west of Compton.

**REGULATION** none.

**DIVERSION** none.

**CHANNEL** concrete, rectangular in section, 60 feet wide by 13 feet deep.

**CONTROL** channel forms control.

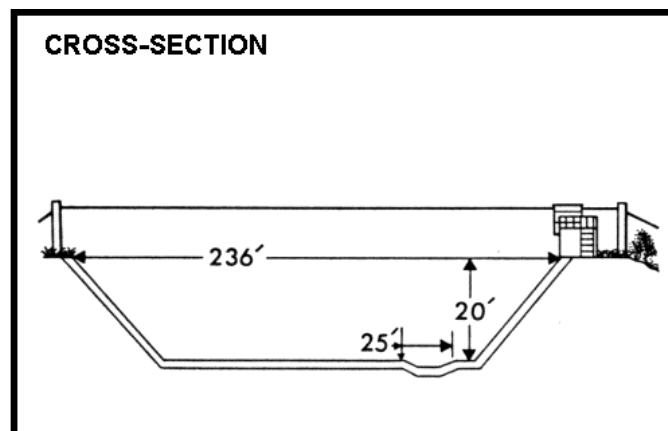
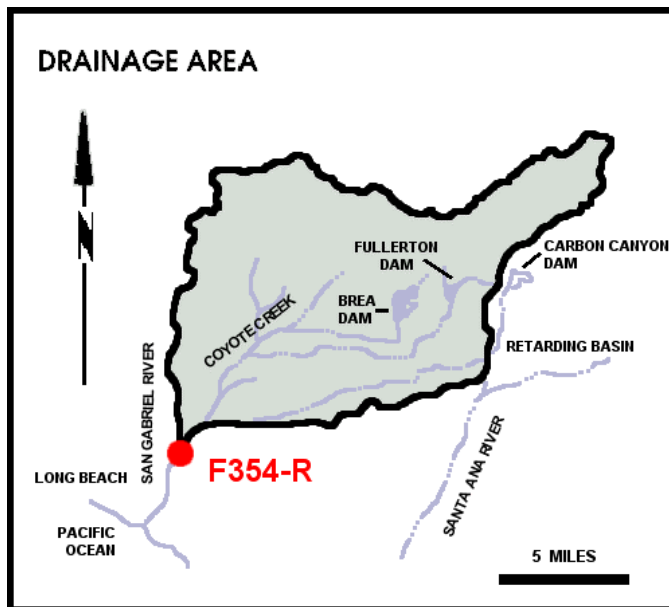
**LENGTH OF RECORD** at Station F37-R, January 22, 1928 to June 9, 1938; at Station F37B-R, October 3, 1938 to date.

## RUNOFF - STREAM GAGING STATION INFORMATION

# COYOTE CREEK

## *below Spring Street*

### STATION NO. F354-R



**RECORDER** continuous water stage.

**METHOD OF MEASUREMENT** wading or from cable car.

**DRAINAGE AREA** 185 square miles.

**LOCATION** 241 feet below Spring Street, 5.7 miles northeast of Long Beach.

**REGULATION** partially regulated by Fullerton Dam, Brea Dam, and Carbon Canyon Dam.

**DIVERSION** none.

**CHANNEL** concrete, trapezoidal in section.

**CONTROL** channel forms control.

**LENGTH OF RECORD** December 19, 1936 to date.

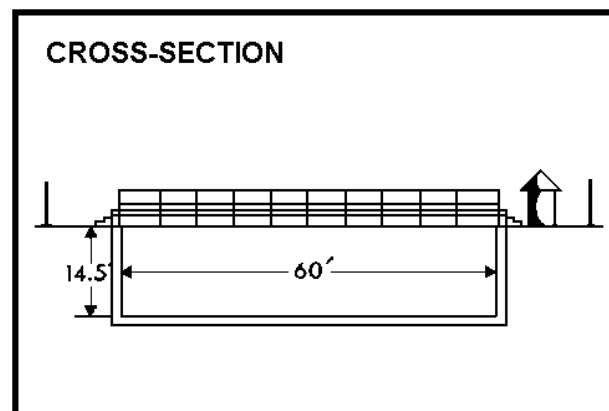
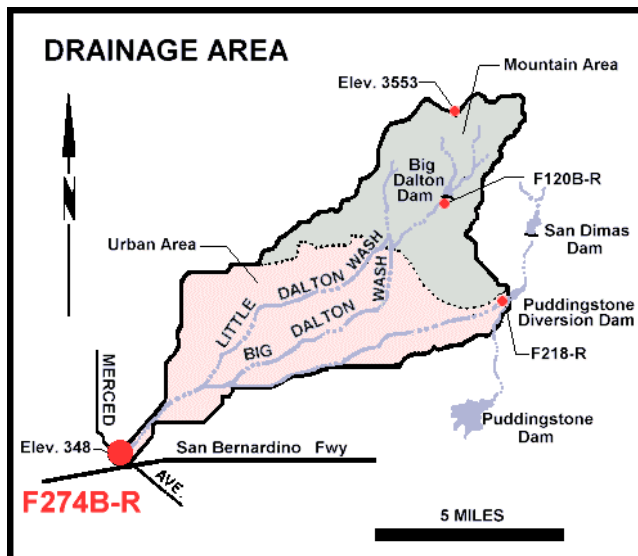
**REMARKS** previous gaging station for record correlation: Station F41-S, December 1, 1928 to January 14, 1930; Station F41-R, January 14, 1930 to October 30, 1936; Station F41B-R, October 30, 1936 to February 17, 1937; Station F41C-R, February 18, 1937 to February 8, 1956; Station F320-R, February 9, 1956 to July 2, 1965.

## RUNOFF - STREAM GAGING STATION INFORMATION

# DALTON WASH

## @ Merced Avenue

### STATION NO. F274B-R



**RECORDER** 5 min. interval data logger.

**METHOD OF MEASUREMENT** low flows measured by wading. High flows measured from footbridge 100 feet from station.

**DRAINAGE AREA** 35.95 square miles.

**LOCATION** on the west bank and upstream of Merced Avenue about 150 feet, about one-half miles above the junction with Walnut Wash and about one mile south of Baldwin Park.

**REGULATION** partly regulated by Big Dalton Dam, San Dimas Dam, Puddingstone Diversion Dam, Big Dalton Spreading Grounds, Little Dalton Spreading Grounds, Big Dalton Debris Basin, Little Debris Basin and Irwindale Spreading Grounds.

**DIVERSION** none.

**CHANNEL** concrete, rectangular section.

**CONTROL** channel forms control.

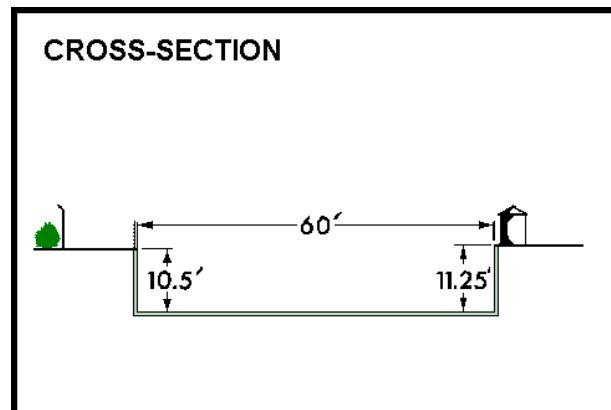
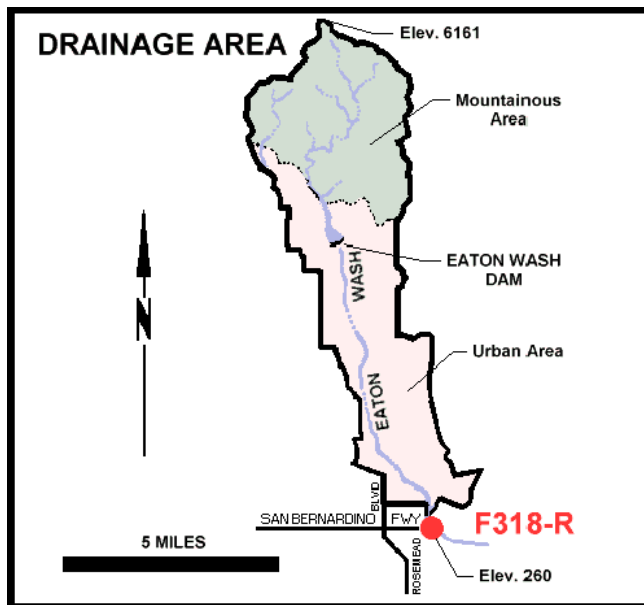
**LENGTH OF RECORD REMARKS** flow may include imported water originating at San Dimas.

## RUNOFF - STREAM GAGING STATION INFORMATION

# EATON WASH

## @ Loftus Drive

### STATION NO. F318-R



**RECORDER** 5 min. interval data logger.

**METHOD OF MEASUREMENT** low flows measured by wading. High flows measured from upstream side of East Loftus Drive bridge.

**DRAINAGE AREA** 22.80 square miles.

**LOCATION** on the west wall of the channel 52 feet above the centerline of East Loftus Drive bridge, 1.3 miles west of El Monte.

**REGULATION** partly regulated by Eaton Dam.

**DIVERSION** the Pasadena Water Department diverts some water just above the mouth of Eaton Canyon. The Flood Control District Diverts water to spreading grounds below Eaton Dam and below Huntington Drive.

**CHANNEL** rectangular concrete, 60 feet wide, 11.3 feet.

**CONTROL** channel forms control.

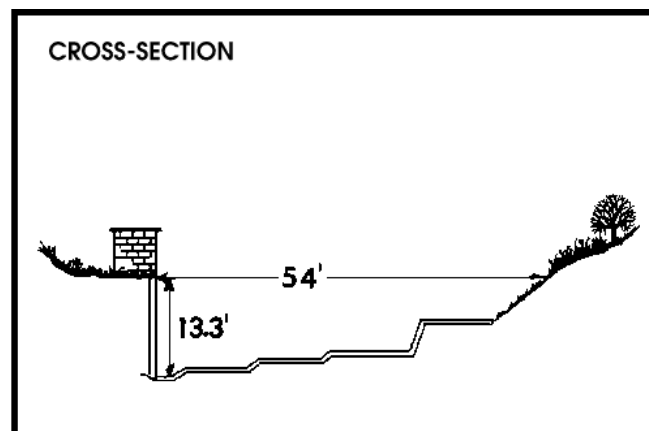
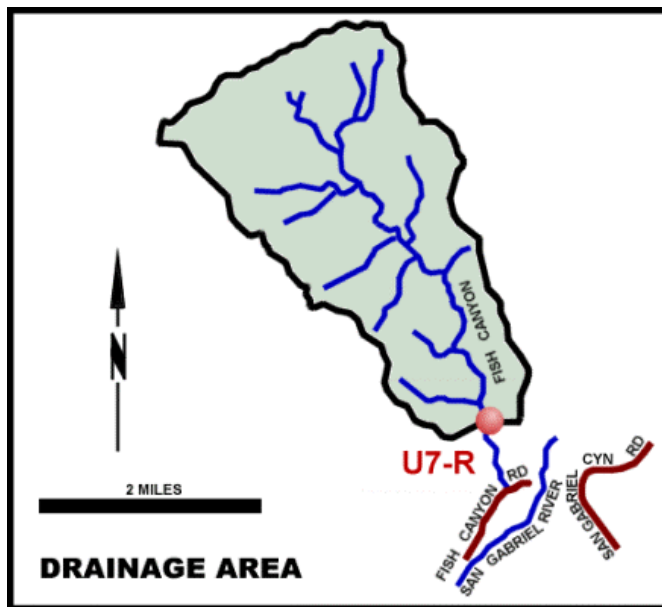
**LENGTH OF RECORD** 1956 to date.



## RUNOFF - STREAM GAGING STATION INFORMATION

# FISH CREEK

*above Mouth of Canyon*  
**STATION NO. U7-R**



**RECORDER** 5 min. interval data logger.

**METHOD OF MEASUREMENT** wading.

**DRAINAGE AREA** 6.36 square miles.

**LOCATION** 0.8 miles upstream of Mouth of Canyon and 3.0 miles northeast of Duarte.

**REGULATION** none.

**DIVERSION** none.

**CHANNEL** natural, rock and gravel.

**CONTROL** concrete control.

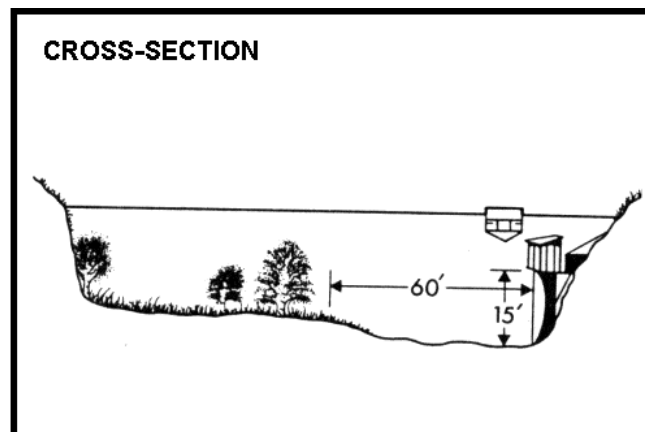
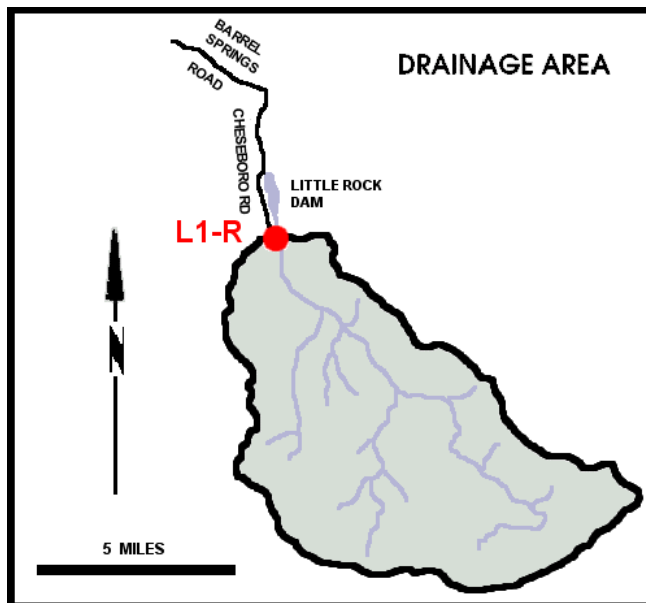
**LENGTH OF RECORD** July to September 1916; July 1917 to date.

**REMARKS** operated and maintained by USGS until October 1, 1971.

**RUNOFF - STREAM GAGING STATION INFORMATION**

# LITTLE ROCK CREEK

*above* Little Rock Dam  
**STATION NO. L1-R**



**RECORDER** continuous water stage.

**METHOD OF MEASUREMENT** wading or from cable car.

**DRAINAGE AREA** 49.20 square miles.

**LOCATION** 2.0 miles above Little Rock Dam, 5.0 miles south of Little Rock.

**REGULATION** none.

**DIVERSION** none.

**CHANNEL** Sand, gravel, and boulder, natural in section.

**CONTROL** channel forms control.

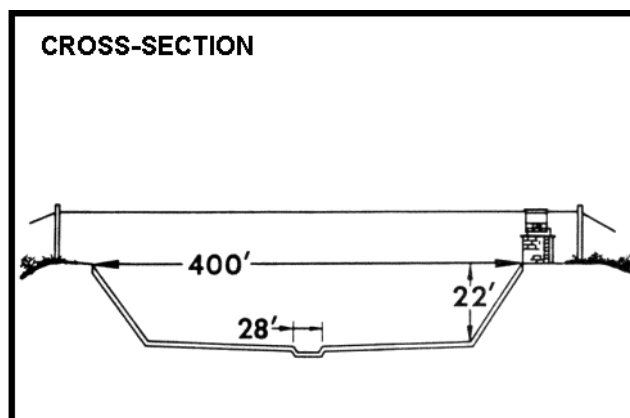
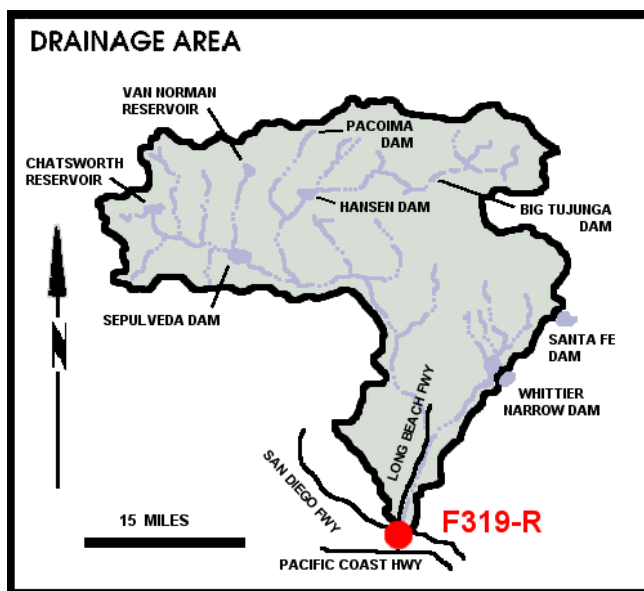
**LENGTH OF RECORD** October 1, 1930 to date.

## RUNOFF - STREAM GAGING STATION INFORMATION

# LOS ANGELES RIVER

## *below Wardlow River Road*

### STATION NO. F319-R



**RECORDER** continuous water stage.

**METHOD OF MEASUREMENT** wading or from cable car.

**DRAINAGE AREA** 815.00 square miles.

**LOCATION** 900.0 feet below Wardlow Road, Long Beach.

**REGULATION** flow is subject to the same regulation as Station F34D-R and P45B-R.

**DIVERSION** flows diverted to Dominguez Gap Spreading Grounds.

**CHANNEL** trapezoidal, concrete, 302.0 feet wide at bottom with 2.25:1 side slopes. Low flow channel 28.0 feet wide by 1.0 foot deep in center of channel.

**CONTROL** channel forms control.

**LENGTH OF RECORD** at Station F180-R, October 31, 1931 to January 13, 1956; at Station F319-R, January 13, 1956 to date.

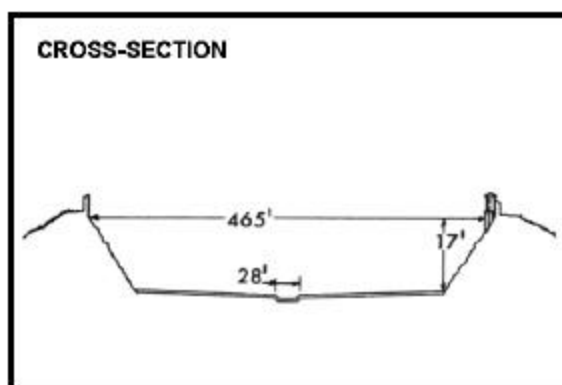
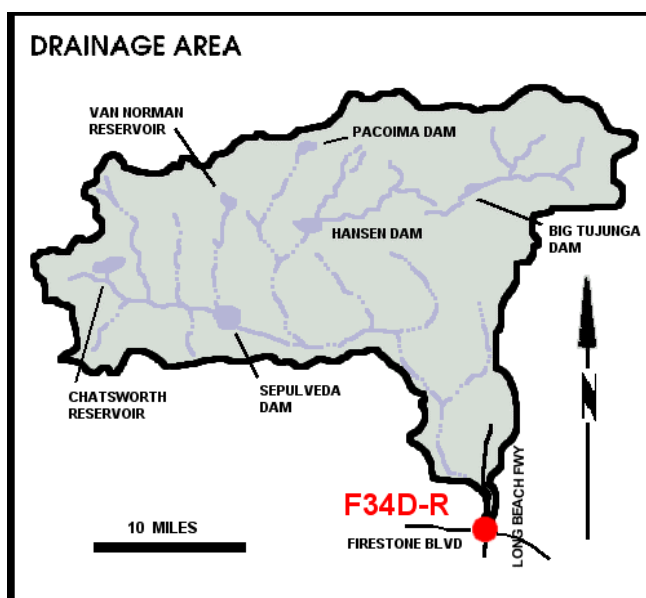
**REMARKS** prior to 1931, see Station F36-R.

## RUNOFF - STREAM GAGING STATION INFORMATION

# LOS ANGELES RIVER

## *below* Firestone Blvd.

## STATION NO. F34D-R



**RECORDER** continuous water stage.

**METHOD OF MEASUREMENT** wading or from bridge.

**DRAINAGE AREA** 596.00 square miles.

**LOCATION** 472.0 feet downstream of Firestone Boulevard, 3.0 miles west of Downey.

**REGULATION** partially regulated by Sepulveda, Pacoima, Big Tujunga, Hansen, and Devil's Gate Dam; and by several spreading grounds, reservoirs, and debris basins.

**DIVERSION** none.

**CHANNEL** concrete, with rip-rap side slopes, trapezoidal in section, with trapezoidal low flow channel.

**CONTROL** channel forms control.

**LENGTH OF RECORD** at Station F34-R, March 1, 1928 to April 11, 1938; at Station F34B-r, April 11, 1938 to November 3, 1949; at Station F34C-R, November 4, 1949 to December 11, 1956; at Station F34D-R, December 11, 1956 to date.

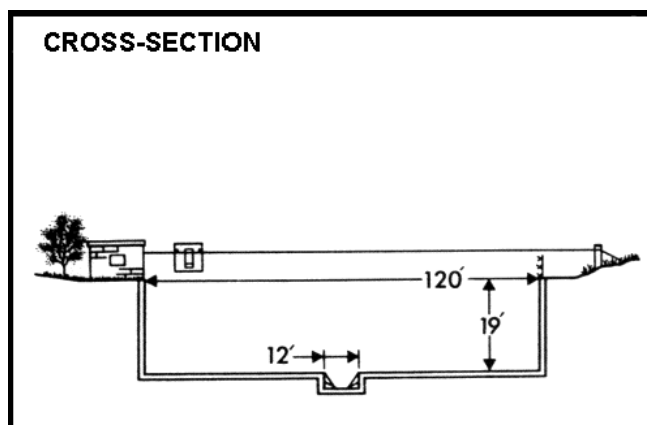
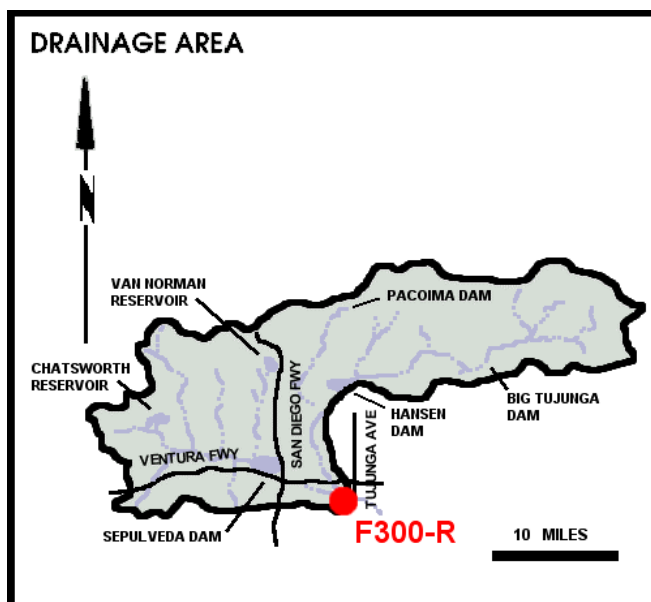
**REMARKS** subject to diversion from Big Tujunga Creek, Arroyo Seco, and other domestic irrigation diversions.

## RUNOFF - STREAM GAGING STATION INFORMATION

# LOS ANGELES RIVER

## @ Tujunga Avenue

### STATION NO. F300-R



**RECORDER** continuous water stage.

**METHOD OF MEASUREMENT** wading or from cable car.

**DRAINAGE AREA** 401 square miles.

**LOCATION** 200 feet above Tujunga Avenue bridge, Studio City.

**REGULATION** flow regulated by Sepulveda, Big Tujunga, Hansen, Pacoima Dams, Lopez Debris Dam, and Project No. 85 Diversion.

**DIVERSION** none.

**CHANNEL** concrete, rectangular section, 120 feet wide by 19 feet deep.

**CONTROL** channel forms control.

**LENGTH OF RECORD** from May 8, 1950 to date.

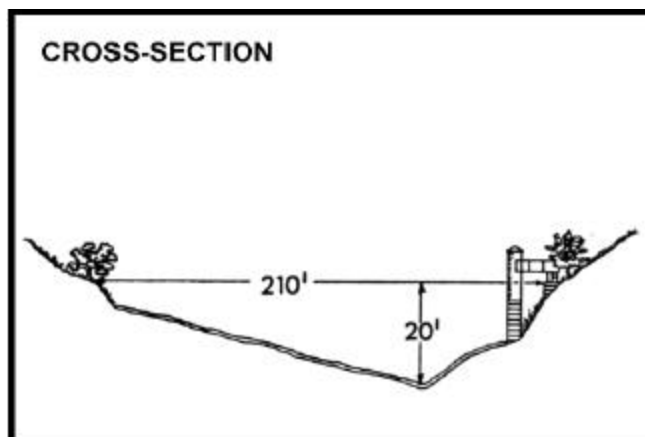
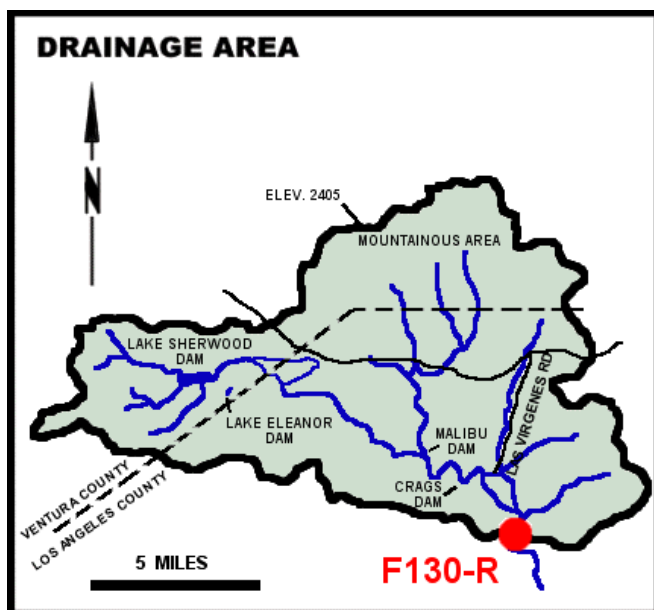
**REMARKS** subject to diversions at mouth of Big Tujunga and Pacoima Canyons for irrigation, at Big Tujunga, Branford, Hansen, and Pacoima Spreading Grounds.

## RUNOFF - STREAM GAGING STATION INFORMATION

# MALIBU CREEK

*below Cold Creek*

## STATION NO. F130-R



**RECORDER** continuous water stage.

**METHOD OF MEASUREMENT** wading or from cable car.

**DRAINAGE AREA** 104.96 square miles.

**LOCATION** 0.2 mile downstream of Cold Creek, 6.0 miles southwest of Calabasas.

**REGULATION** Lake Sherwood Dam, Lake Eleanor Dam, Malibu Lake Dam and Crag's Dam. Other small recreational dams affect low summer flows.

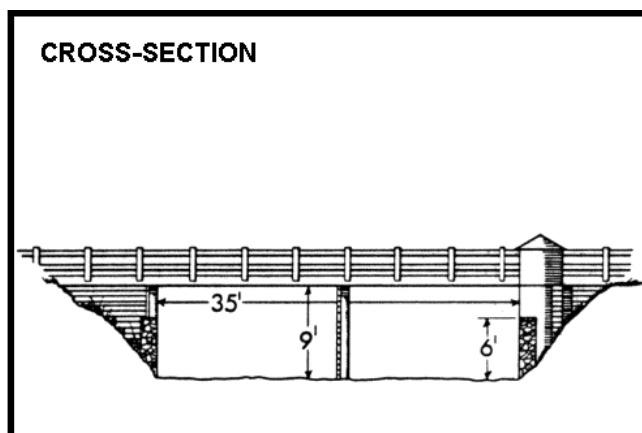
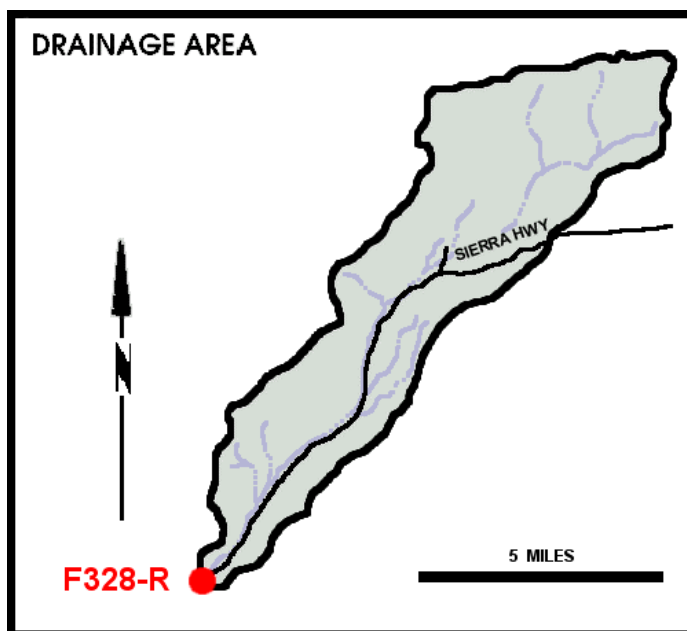
**DIVERSION** none.

**CHANNEL** coarse sand and gravel, lined with trees and brush, natural in section.

**CONTROL** concrete stabilizer.

**LENGTH OF RECORD** January 17, 1931 to date.

**REMARKS** cableway washed out on January 25, 1969; no high flow measurements since that date.

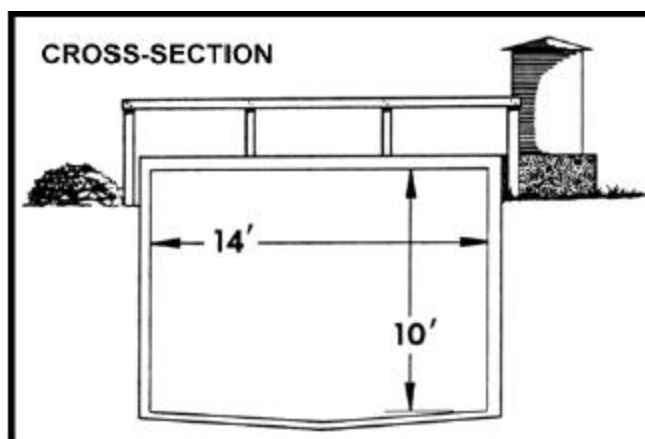
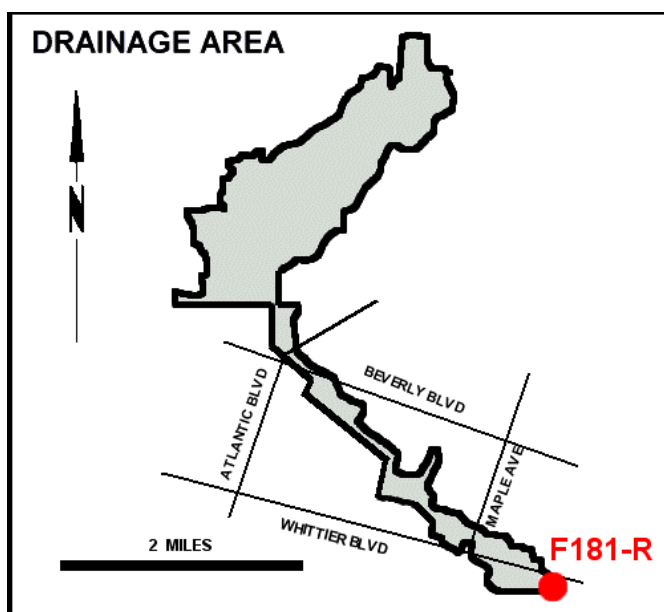
**RUNOFF - STREAM GAGING STATION INFORMATION****MINT CANYON CREEK****@ Fitch Avenue****STATION NO. F328-R****RECORDER** continuous water stage.**METHOD OF MEASUREMENT** wading or from cable car.**DRAINAGE AREA** 26.90 square miles.**LOCATION** 8.5 miles northeast of Saugus on west end of Fitch Avenue bridge.**REGULATION** none.**DIVERSION** none.**CHANNEL** natural, sand and gravel.**CONTROL** concrete control at downstream end of bridge.**LENGTH OF RECORD** October 26, 1956 to date.

**RUNOFF - STREAM GAGING STATION INFORMATION**

# MONTEBELLO STORM DRAIN

*outlet to Rio Hondo*

## STATION NO. F181-R



**RECORDER** continuous water stage.

**METHOD OF MEASUREMENT** wading or from footbridge.

**DRAINAGE AREA** 9.60 square miles.

**LOCATION** 150.0 feet east of Mines Avenue and 500.0 feet west of Rio Hondo.

**REGULATION** none.

**DIVERSION** none.

**CHANNEL** 14.0 foot by 10.0 foot concrete, box section.

**CONTROL** channel forms control.

**LENGTH OF RECORD** January 12, 1932 to date.

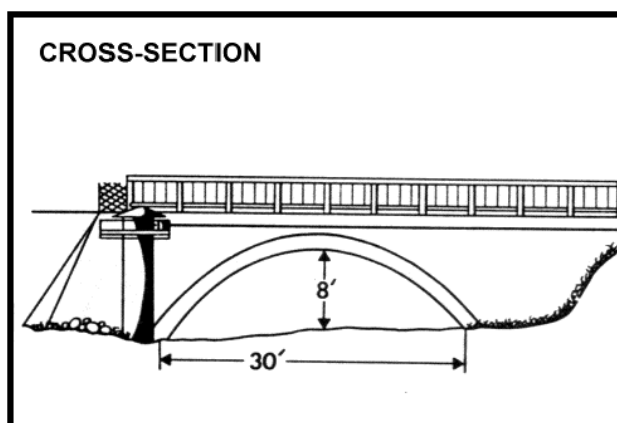
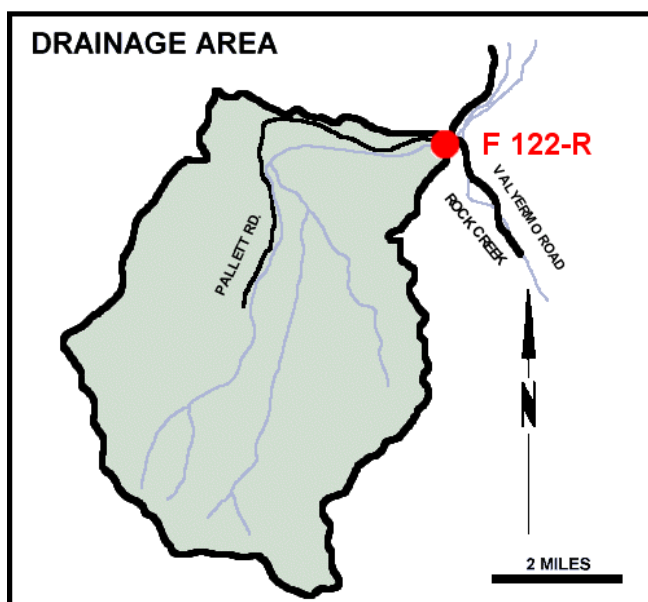
**REMARKS** may be affected by backwater during flood flows.



**RUNOFF - STREAM GAGING STATION INFORMATION**

# PALLETT CREEK

@ Valyermo Highway  
STATION NO. F122-R



**RECORDER** continuous water stage.

**METHOD OF MEASUREMENT** wading or from bridge.

**DRAINAGE AREA** 15.80 square miles.

**LOCATION** upstream side of Valyermo Highway bridge, 5.0 miles southeast of Pearblossom.

**REGULATION** none.

**DIVERSION** none.

**CHANNEL** sand and gravel, natural section.

**CONTROL** channel forms control for low flows; bridge form control for high flows.

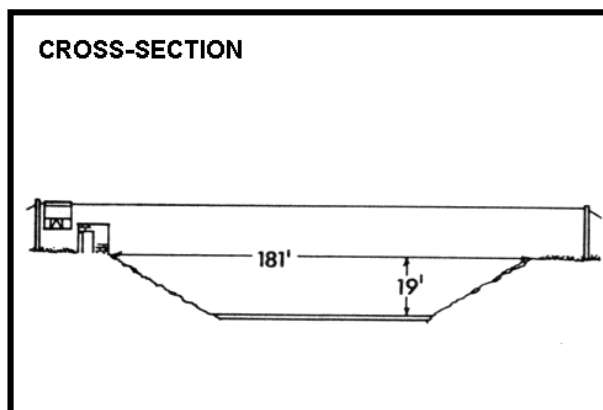
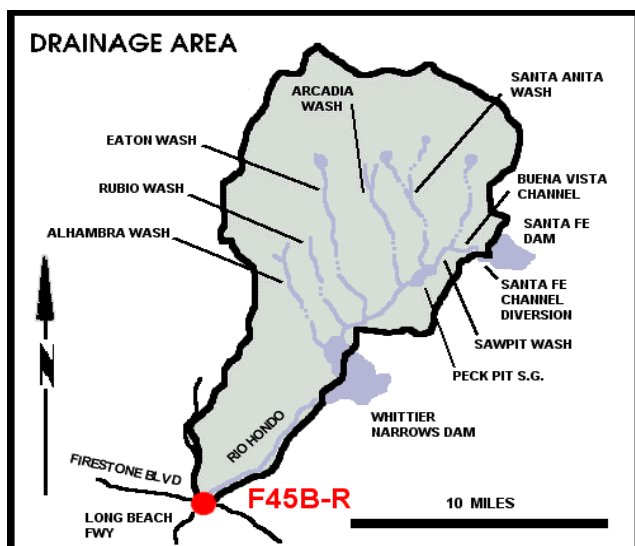
**LENGTH OF RECORD** at Station F122-S, December 29, 1930 to October 31, 1961; at Station F122-R, October 31, 1961 to date.

## RUNOFF - STREAM GAGING STATION INFORMATION

# RIO HONDO

*above* Stuart and Gray Road

## STATION NO. F45B-R



**RECORDER** continuous water stage.

**METHOD OF MEASUREMENT** wading or from cable car.

**DRAINAGE AREA** 140 square miles.

**LOCATION** 0.6 mile upstream of the confluence of Rio Hondo and Los Angeles River, 1.5 miles west of Downey.

**REGULATION** partially regulated by Sierra Madre, Santa Anita, Sawpit, Eaton, Santa Fe, and Whittier Narrows Dams, several debris basins, and spreading grounds.

**DIVERSION** none.

**CHANNEL** concrete with rip-rap side slopes, trapezoidal in section.

**CONTROL** channel forms control.

**LENGTH OF RECORD** at Station F45-R, March 1, 1928 to April 18, 1951; at Station F45B-R, October 31, 1951 to date.

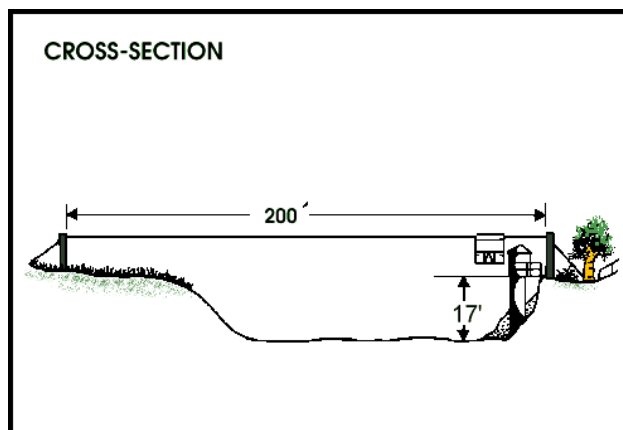
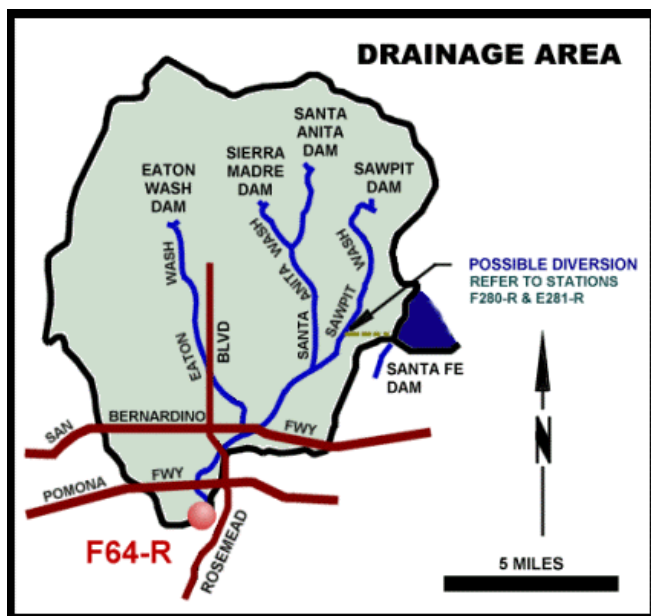
**REMARKS** subject to diversions from Eaton Creek, Monrovia Creek, Sawpit Creek, Little Santa Anita Canyon, and other locations for irrigation and spreading. High flows from San Gabriel River may flow into Rio Hondo above Whittier Narrows Dam.

## RUNOFF - STREAM GAGING STATION INFORMATION

# RIO HONDO

*above Mission Bridge*

## STATION NO. F64-R



**RECORDER** 5 min. interval data logger.

**METHOD OF MEASUREMENT** wading or from cable car.

**DRAINAGE AREA** 115 square miles.

**LOCATION** 1,000 feet above San Gabriel Boulevard, west of Rosemead Boulevard, 2.0 miles northeast of Montebello.

**REGULATION** partially regulated by Sierra Madre, Santa Anita, Sawpit, Eaton, and Santa Fe Dams and several debris basins.

**DIVERSION** none.

**CHANNEL** sand and silt, natural in section.

**CONTROL** none.

**LENGTH OF RECORD** July 1, 1928 to date.

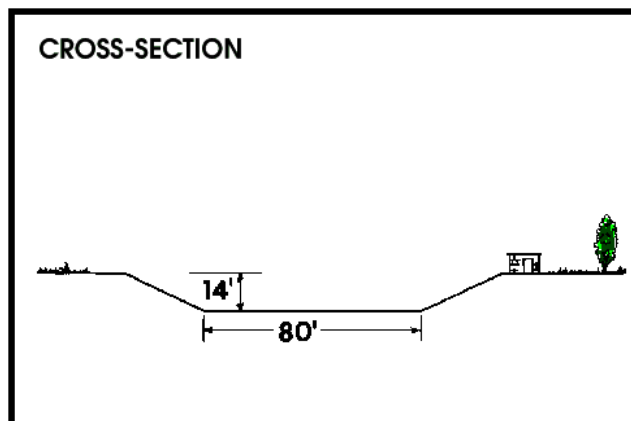
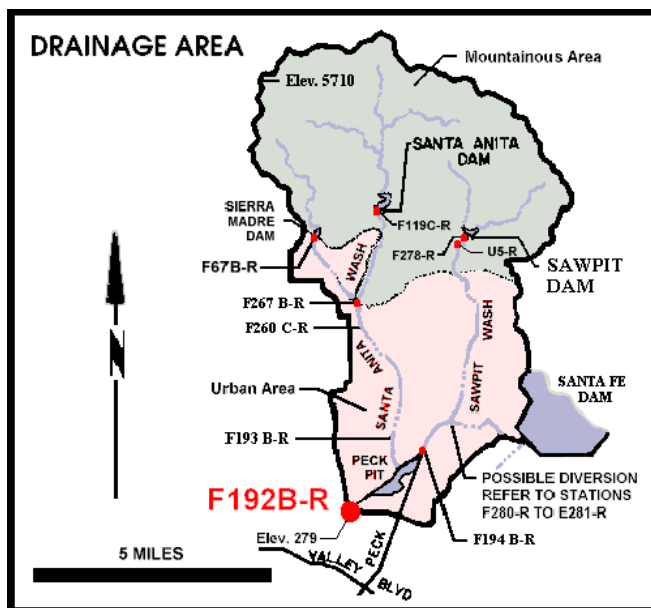
**REMARKS** subject to diversion; water purchased from the MWD passes this station for spreading in the coastal basin.

## RUNOFF - STREAM GAGING STATION INFORMATION

# RIO HONDO

*below Lower Azusa Avenue*

## STATION NO. F192B-R



**RECORDER** 5 min. interval data logger.

**METHOD OF MEASUREMENT** wading.

**DRAINAGE AREA** 40.90 square miles.

**LOCATION** 300 feet downstream from Lower Azusa Road, 1.5 miles north of El Monte.

**REGULATION** partially regulated by Sierra Madre Dam, Santa Anita Dam, Sawpit Dam, Santa Fe Dam, Peck Pit, Buena Vista Pit, and several debris basins.

**DIVERSION** none.

**CHANNEL** concrete, trapezoidal section.

**CONTROL** channel forms control.

**LENGTH OF RECORD** at Station F192-R, February 22, 1932 to May 7, 1958; at Station F192B-R, May 7, 1958 to date.

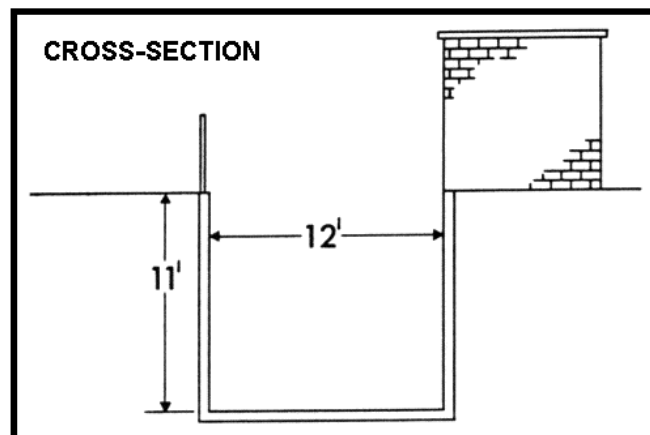
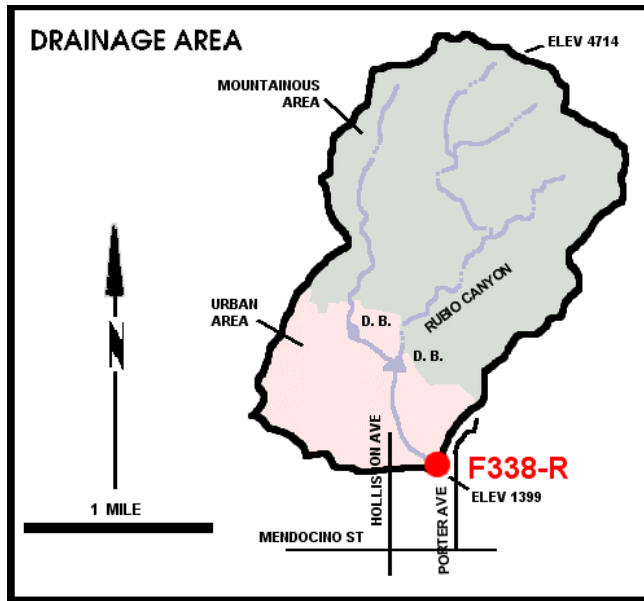
**REMARKS** subject to diversions from Monrovia, Sawpit, and Little Santa Anita Creeks. Also from the San Gabriel River below Santa Fe Dam; and from irrigation and spreading.

## RUNOFF - STREAM GAGING STATION INFORMATION

# RUBIO DIVERSION CHANNEL

*below Gooseberry Inlet*

**STATION NO. F338-R**



**RECORDER** 15 min. punch tape.

**METHOD OF MEASUREMENT** low flows measured by wading. High flows measured from steel footbridge 27 feet above station.

**DRAINAGE AREA** 2.10 square miles.

**LOCATION** on the north bank, 375 feet upstream of Crest Drive, 3.5 miles northeast of Pasadena.

**REGULATION** flow partially regulated by Rubio and Goosebury Debris Basins.

**DIVERSION** none.

**CHANNEL** rectangular concrete, 12 feet wide and 11 feet deep.

**CONTROL** channel forms control.

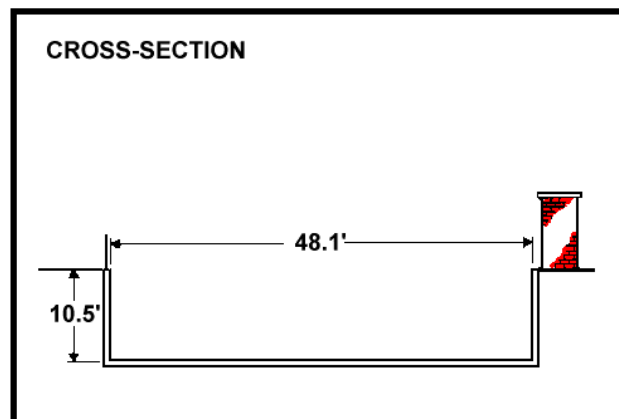
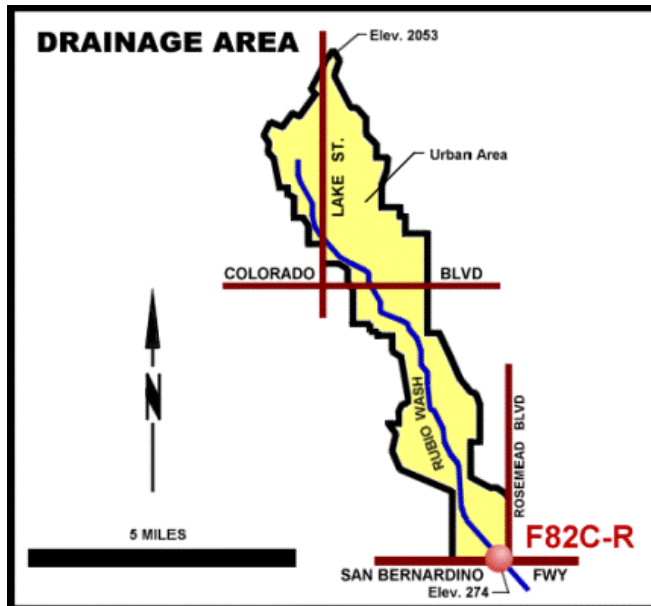
**LENGTH OF RECORD** December 16, 1959 to date.

## RUNOFF - STREAM GAGING STATION INFORMATION

# RUBIO WASH

## @ Glendon Way

### STATION NO. F82C-R



**RECORDER** 5 min. interval data logger.

**METHOD OF MEASUREMENT** low flows measured by wading. High flows measured from footbridge at station.

**DRAINAGE AREA** 10.90 square miles.

**LOCATION** on the east side of channel, 10 feet south of the westerly extension of Glendon Way, Rosemead.

**REGULATION** partly regulated by Las Flores and Rubio debris basins.

**DIVERSION** none.

**CHANNEL** rectangular concrete.

**CONTROL** channel forms control.

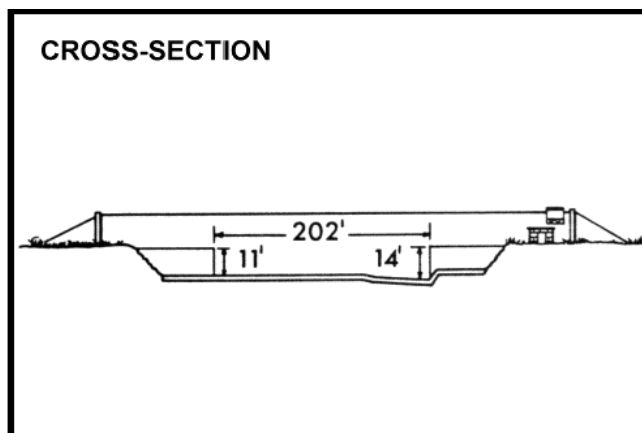
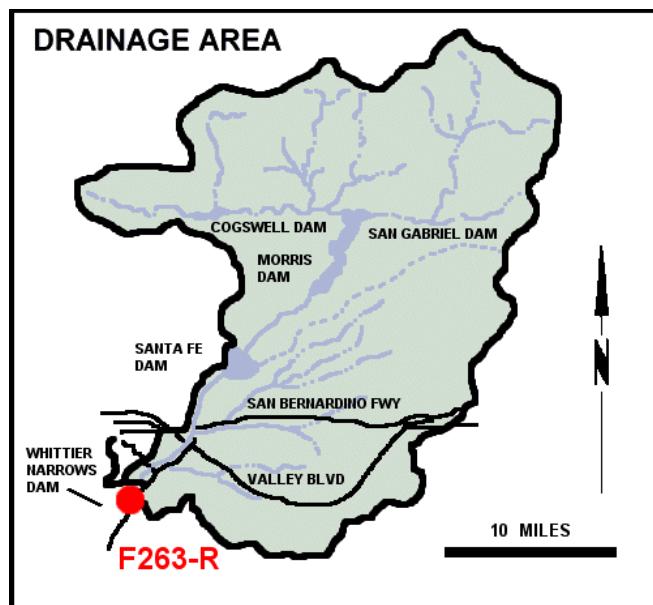
**LENGTH OF RECORD** see station summary.

## RUNOFF - STREAM GAGING STATION INFORMATION

# SAN GABRIEL RIVER

## *below* San Gabriel River Parkway

### STATION NO. F263C-R



**RECORDER** continuous water stage.

**METHOD OF MEASUREMENT** wading or from cable car.

**DRAINAGE AREA** 206.30 square miles.

**LOCATION** 462 feet below San Gabriel River Parkway, 1.4 miles northeast of Pico Rivera.

**REGULATION** partially regulated by Santa Fe, Big Dalton, Puddingstone Diversion, Puddingstone, and Thompson Creek Dams. Flows may include imported water from several Metropolitan Water District outlets. Water is at times diverted to the Zone one ditch, upstream of Whittier Narrows Dam.

**DIVERSION** none.

**CHANNEL** rip-rap slopes with sand bottom trapezoidal section.

**CONTROL** concrete stabilizer.

**LENGTH OF RECORD** at Station F263-R, February 4, 1937 to March 6, 1952; at Station F263B-R, March 6, 1952 to August 9, 1968; at Station F263C-R, August 9, 1968 to date.

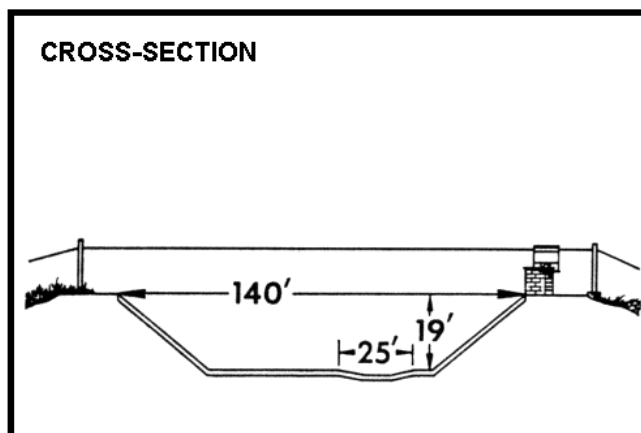
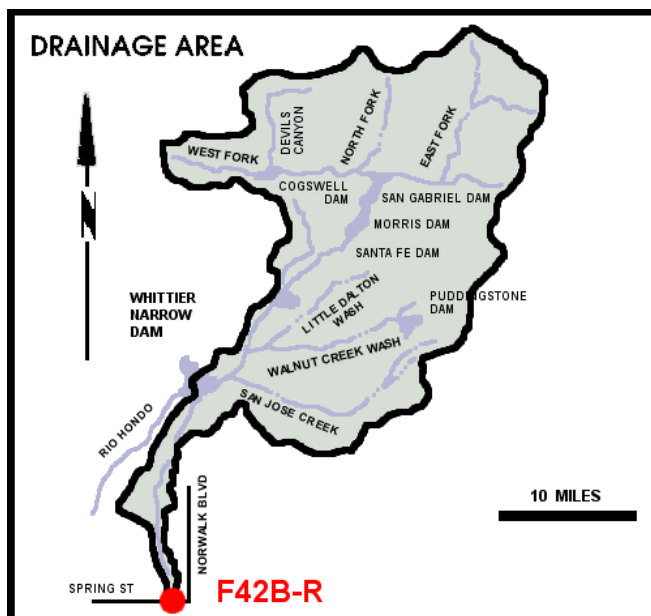
**REMARKS**

## RUNOFF - STREAM GAGING STATION INFORMATION

# SAN GABRIEL RIVER

## *above* Spring Street

### STATION NO. F42B-R



**RECORDER** continuous water stage.

**METHOD OF MEASUREMENT** wading or from cable car.

**DRAINAGE AREA** 231 square miles.

**LOCATION** 455 feet north of Spring Street, 4.0 miles east of Signal Hill, Long Beach.

**REGULATION** partially regulated by Cogswell, San Gabriel, Morris, Santa Fe, Big Dalton, San Dimas, Puddingstone Diversion, Puddingstone, Live Oak, Thompson Creek, and Whittier Narrows Dams, Several debris basins, MWD outlet, and several spreading grounds.

**DIVERSION** none.

**CHANNEL** concrete, trapezoidal section with low flow channel.

**CONTROL** channel forms control.

**LENGTH OF RECORD** at Station F42-R, February 6, 1928 to May 26, 1964; at Station F42B-R, November 16, 1964 to date.

**REMARKS** high flows into Whittier Narrows Reservoir are partially diverted to the Rio Hondo.

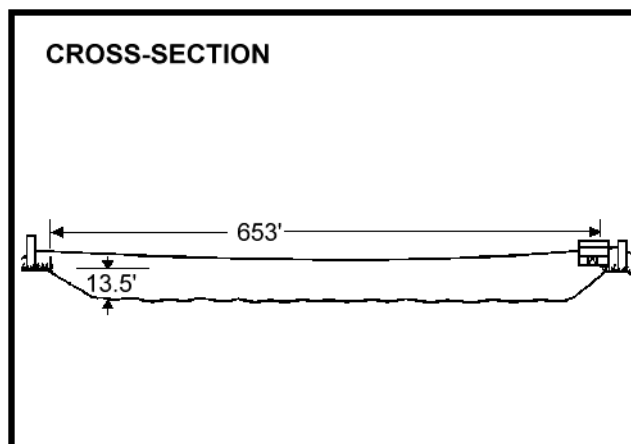
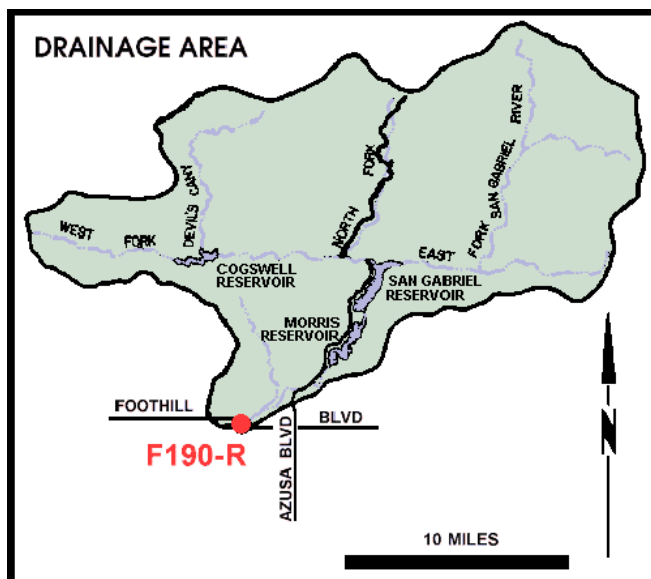


## RUNOFF - STREAM GAGING STATION INFORMATION

# SAN GABRIEL RIVER

@ Foothill Blvd.

STATION NO. F190-R



**RECORDER** 5 min. interval data logger.

**METHOD OF MEASUREMENT** wading or from cable car.

**DRAINAGE AREA** 230 square miles.

**LOCATION** downstream side of Foothill Boulevard bridge, 2 miles west of Azusa.

**REGULATION** partially regulated by Cogswell, San Gabriel, and Morris Dams.

**DIVERSION** none.

**CHANNEL** sand, gravel and rock, trapezoidal section with soft bottom.

**CONTROL** gunited rock stabilizers.

**LENGTH OF RECORD** February 22, 1932 to date.

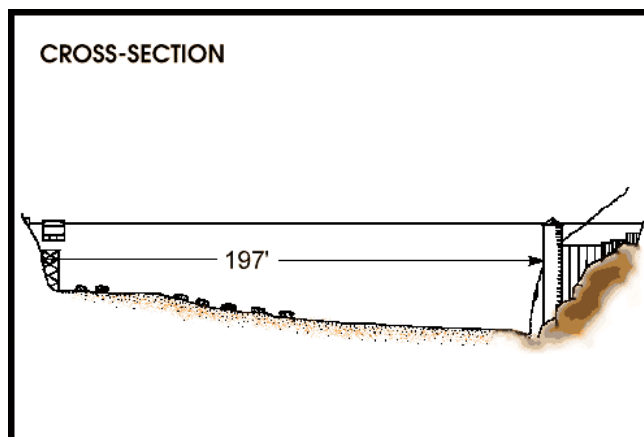
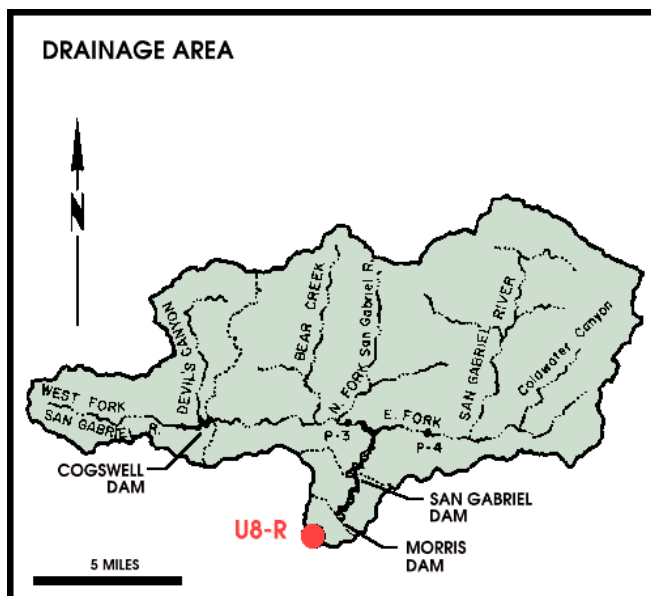
**REMARKS** flows may include imported originating at the Metropolitan Water District outlet below Morris Dam.

## RUNOFF - STREAM GAGING STATION INFORMATION

# SAN GABRIEL RIVER

## *below Morris Dam*

### STATION NO. U8-R



**RECORDER** 5 min. interval data logger.

**METHOD OF MEASUREMENT** wading or from cable car.

**DRAINAGE AREA** 212.4 square miles.

**LOCATION** 1.1 miles downstream of Morris Dam, 27 miles northeast of Azusa.

**REGULATION** all flows regulated by Cogswell Dam, 27 miles northeast of Azusa.

**DIVERSION** none.

**CHANNEL** gravel and boulder, natural section.

**CONTROL** concrete control.

**LENGTH OF RECORD** May 1894 to date.

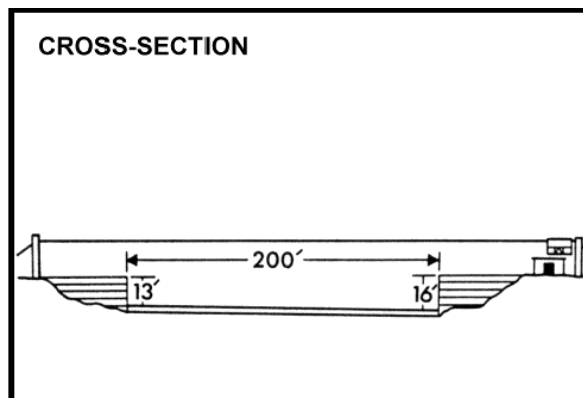
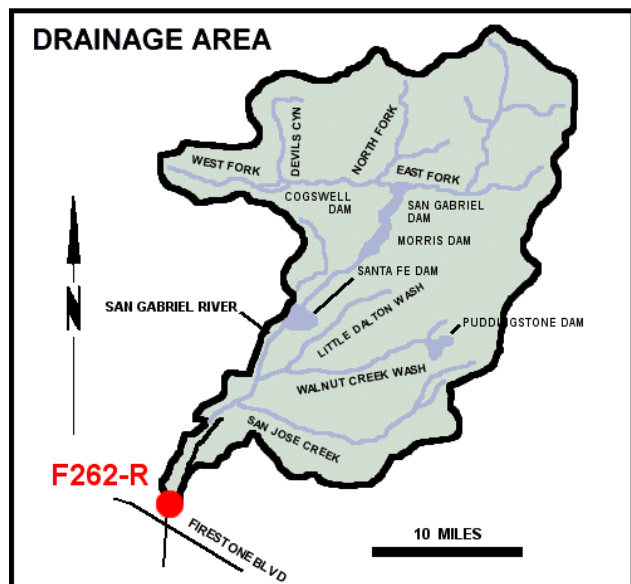
**REMARKS** flows up to 90 cfs are at times diverted past the station through the Azusa Conduit, flows at station may include imported water from the MWD outlet below Morris Dam.

## RUNOFF - STREAM GAGING STATION INFORMATION

# SAN GABRIEL RIVER

*above* Florence Avenue

## STATION NO. F262C-R



**RECORDER** continuous water stage.

**METHOD OF MEASUREMENT** wading or from cable car.

**DRAINAGE AREA** 215.80 square miles.

**LOCATION** 1,400 feet above Florence Avenue, 2 miles east of Downey.

**REGULATION** partially regulated by Cogswell, San Gabriel, Morris, Santa Fe, Big Dalton, San Dimas, Puddingstone Diversion, Puddingstone, Live Oak, Thompson Creek, and Whittier Narrows Dams, Several debris basin, MWD outlets, and several spreading grounds.

**DIVERSION** none.

**CHANNEL** sand bottom with rip-rap slopes, trapezoidal section.

**CONTROL** concrete stabilizer.

**LENGTH OF RECORD** at Station F267-R, February 27, 1937 to September 30, 1967; at Station F262B-R, August 6, 1968 to date.

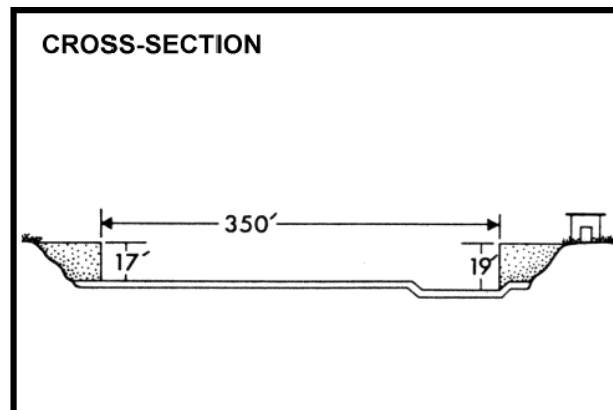
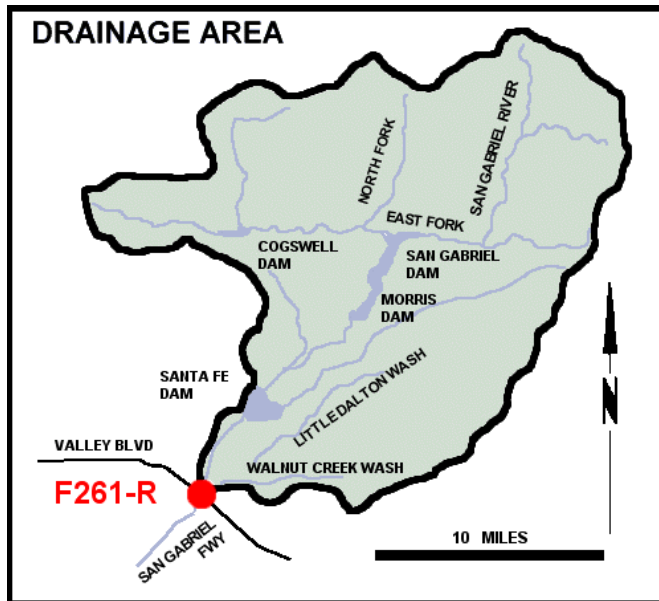
**REMARKS** no recording during 1967-1968 season due to channel construction.

## RUNOFF - STREAM GAGING STATION INFORMATION

# SAN GABRIEL RIVER

*below Valley Blvd.*

## STATION NO. F261C-R



**RECORDER** continuous water stage.

**METHOD OF MEASUREMENT** wading.

**DRAINAGE AREA** 118.00 square miles.

**LOCATION** 1,150.0 feet below Valley Boulevard, 2.5 miles east of El Monte.

**REGULATION** partially regulated by Santa Fe, Big Dalton, Puddingstone Diversion, and Puddingstone Dams.

**DIVERSION** none.

**CHANNEL** sand and gravel bottom with rip-rap side slopes; trapezoidal section.

**CONTROL** concrete stabilizer with low-flow notch.

**LENGTH OF RECORD** at Station F261-R, March 11, 1937 to September 30, 1941; at Station F361B-R, October 1, 1941 to April 23, 1946; at Station F261C-R, November 29, 1960 to date.

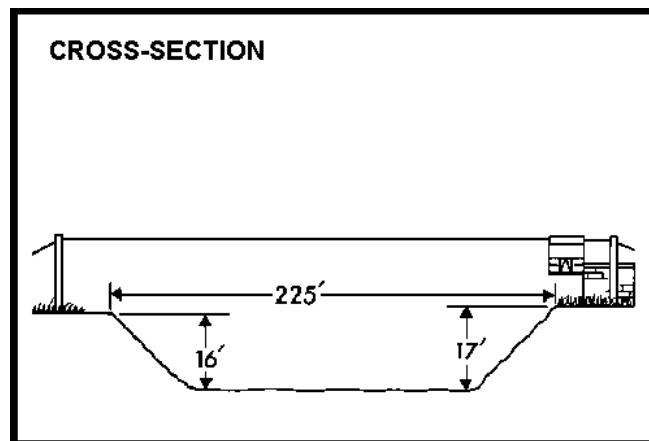
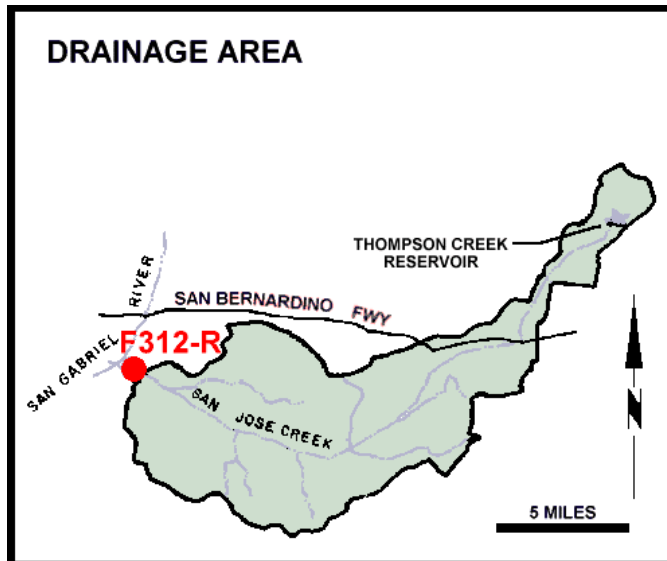
**REMARKS** flows may include imported water originating at Metropolitan Water District outlets at San Dimas Canyon and below San Bernardino Road.

## RUNOFF - STREAM GAGING STATION INFORMATION

# SAN JOSE CHANNEL

*below Seventh Avenue*

## STATION NO. F312B-R



**RECORDER** 5 min. interval data logger.

**METHOD OF MEASUREMENT** wading or from cable car.

**DRAINAGE AREA** 83.4 square miles.

**LOCATION** 1,650 feet above Workman Mill Road, 3 miles southeast of El Monte.

**REGULATION** partially regulated by Thompson Creek Dam and Pomona Sewage Treatment Plant.

**DIVERSION** none.

**CHANNEL** grouted rip-rap side slopes with natural bottom, trapezoidal section.

**CONTROL** rock stabilizer.

**LENGTH OF RECORD** September 13, 1955 to date.

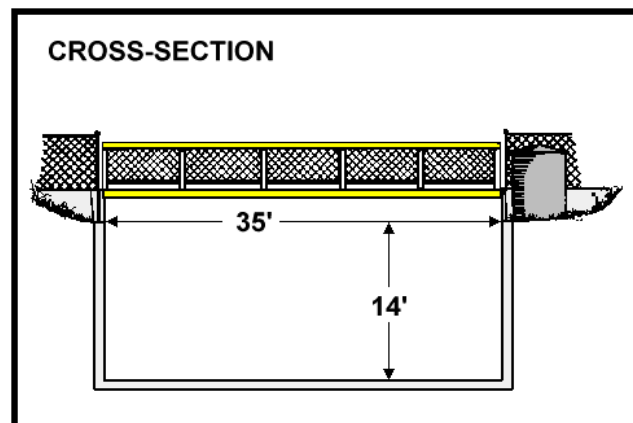
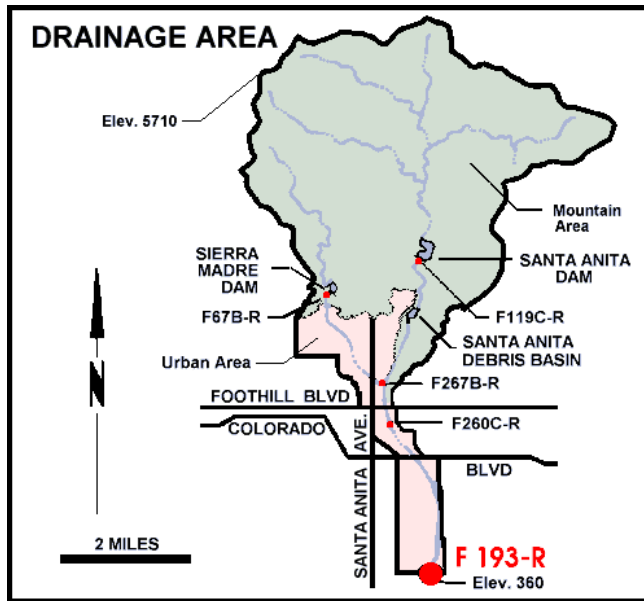
**REMARKS**

## RUNOFF - STREAM GAGING STATION INFORMATION

# SANTA ANITA WASH

## @ Longden Avenue

### STATION NO. F193B-R



**RECORDER** 5 min. interval data logger.

**METHOD OF MEASUREMENT** wading or from bridge.

**DRAINAGE AREA** 18.80 square miles.

**LOCATION** 30.0 feet above Longden Avenue, 1.5 miles south of Arcadia.

**REGULATION** regulated by Santa Anita and Sierra Madre Dams, and Santa Anita Debris Basin.

**DIVERSION** none.

**CHANNEL** concrete, rectangular section.

**CONTROL** channel forms control.

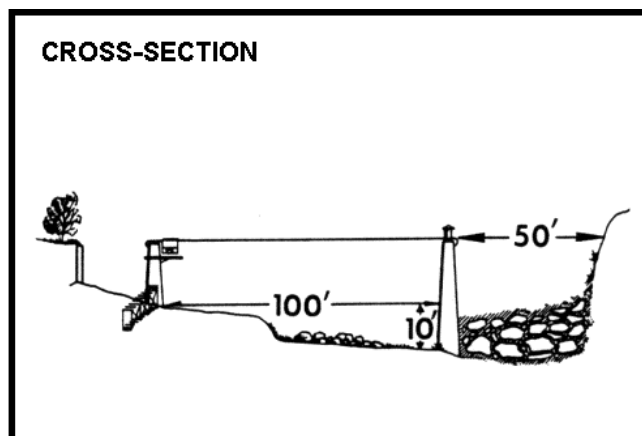
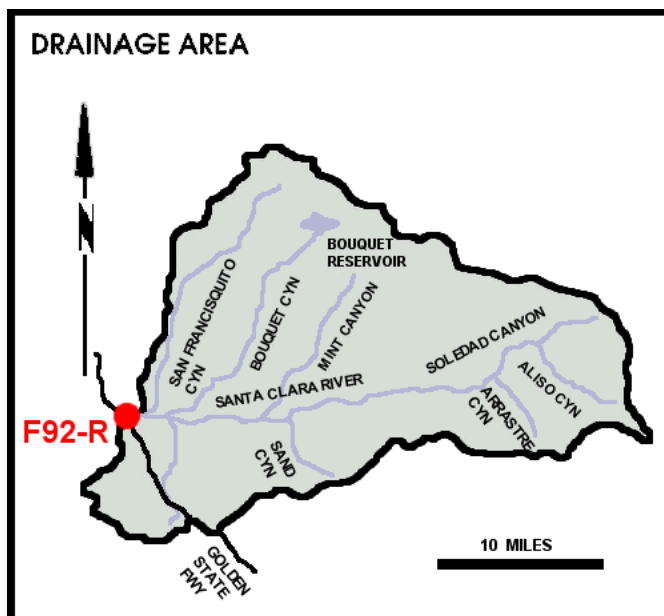
**LENGTH OF RECORD** at Station F193-R, April 25, 1932 to March 1, 1938; at Station F193B-R, January 5, 1960 to date.

## RUNOFF - STREAM GAGING STATION INFORMATION

# SANTA CLARA RIVER

## @ Old Road Bridge

### STATION NO. F92C-R



**RECORDER** continuous water stage.

**METHOD OF MEASUREMENT** wading or from cable car.

**DRAINAGE AREA** 410.40 square miles.

**LOCATION** downstream side of Old Highway bridge, 3 miles west of Saugus.

**REGULATION** partially regulated by Bouquet Canyon and Dry Canyon Reservoirs.

**DIVERSION** none.

**CHANNEL** sand and gravel with brush, natural section.

**CONTROL** none.

**LENGTH OF RECORD** at Station F92-R, January 18, 1930 to March 28, 1938, and September 24, 1956 to date; at Station F92B-R, October 1, 1938 to September 24, 1956.

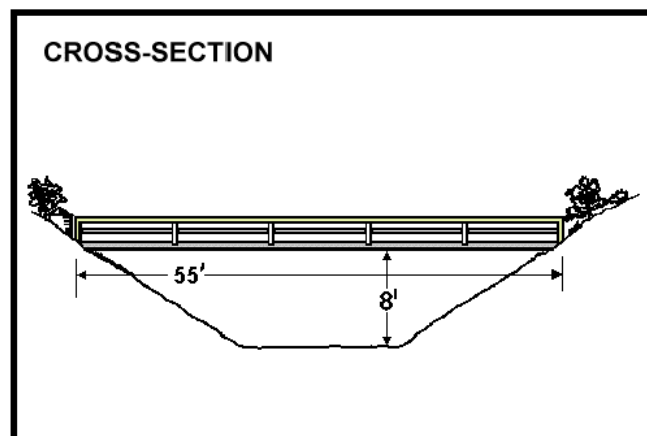
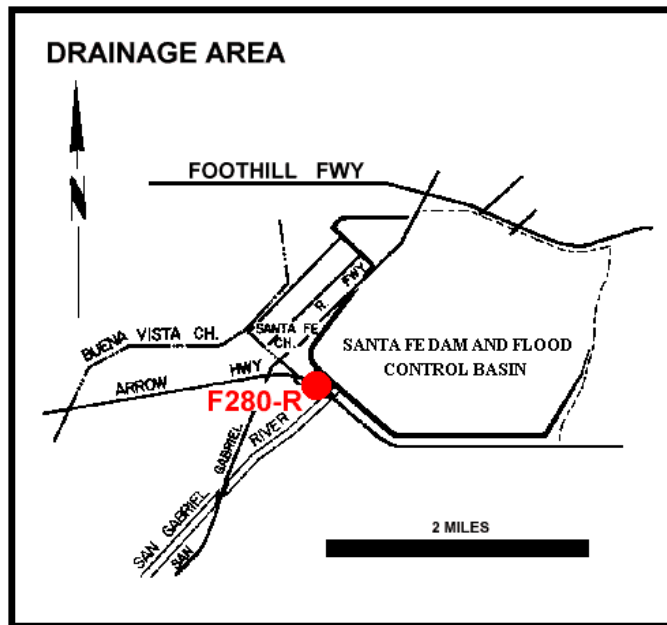
**REMARKS** subject to diversions for irrigation.

## RUNOFF - STREAM GAGING STATION INFORMATION

# SANTA FE DIVERSION CHANNEL

*below Santa Fe Dam*

## STATION NO. F280-R



**RECORDER** 5 min. interval data logger.

**METHOD OF MEASUREMENT** wading or from footbridge.

**DRAINAGE AREA** Controlled square miles.

**LOCATION** 400 feet downstream of Santa Fe Dam outlet and 1.5 miles north of Baldwin Park.

**REGULATION** flow regulated by five gates of stilling basin outlet of Santa Fe Dam.

**DIVERSION** none.

**CHANNEL** sand and gravel, natural section.

**CONTROL** concrete stabilizer.

**LENGTH OF RECORD** at Station F280-S, October 1, 1942 to May 12, 1944; at Station F280-R, May 12, 1944 to date.

**REMARKS**

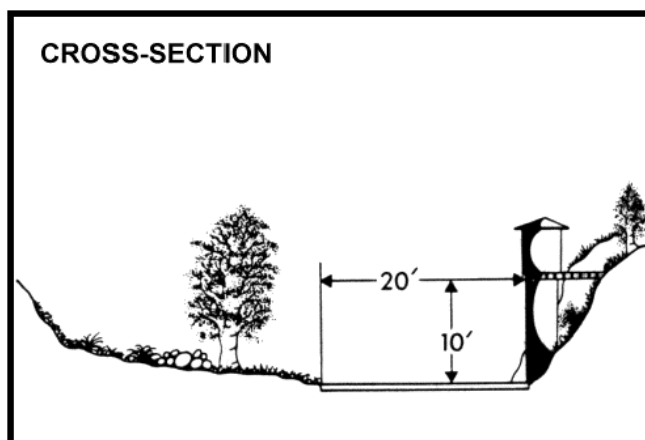
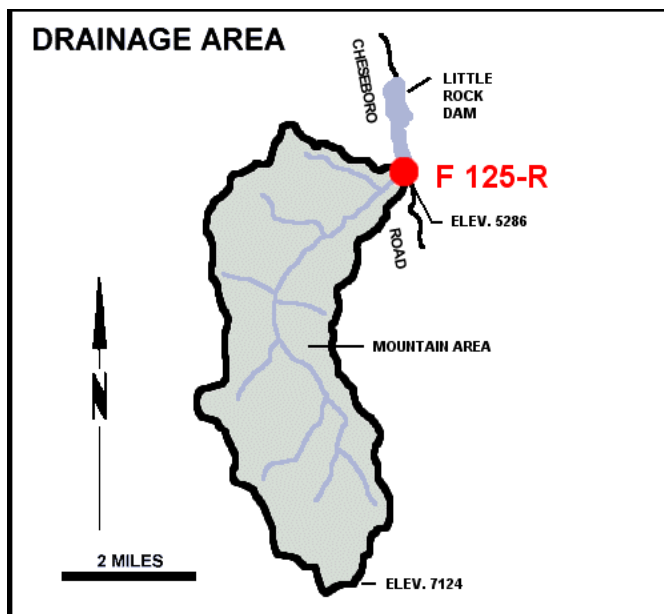


## RUNOFF - STREAM GAGING STATION INFORMATION

# SANTIAGO CREEK

*above* Little Rock Creek

## STATION NO. F125-R



**RECORDER** continuous water stage.

**METHOD OF MEASUREMENT** wading.

**DRAINAGE AREA** 11.20 square miles.

**LOCATION** 1,000 feet above Little Creek and 4.5 miles south of Little Rock.

**REGULATION** none.

**DIVERSION** none.

**CHANNEL** sand, gravel and boulders.

**CONTROL** concrete and rubble wall.

**LENGTH OF RECORD** September 29, 1953 to date.

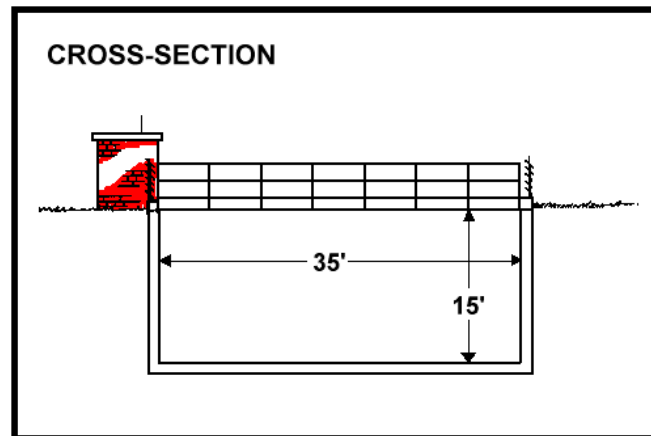
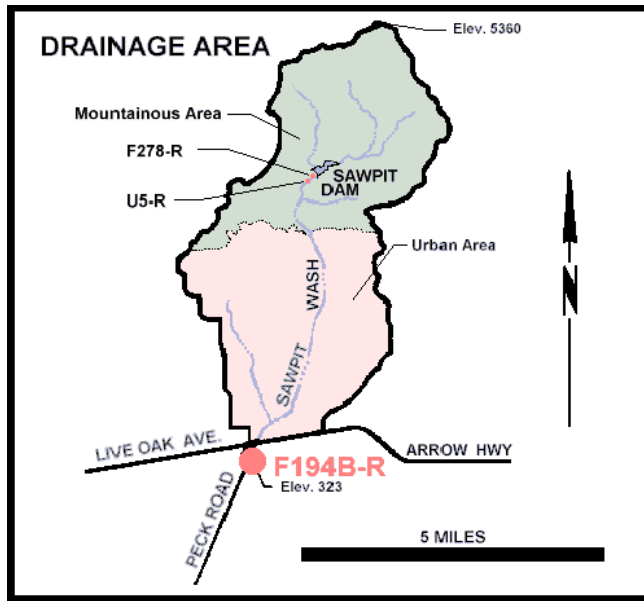
**REMARKS** no high flow measurements.

## RUNOFF - STREAM GAGING STATION INFORMATION

# SAWPIT WASH

*below Live Oak Avenue*

## STATION NO. F194B-R



**RECORDER** 5 min. interval data logger.

**METHOD OF MEASUREMENT** wading from footbridge.

**DRAINAGE AREA** 16.10 square miles.

**LOCATION** 1,500 feet below Arrow Highway, 3.0 miles south of Monrovia.

**REGULATION** partially regulated by Sawpit and Santa Fe Dams, and several debris basins.

**DIVERSION** none.

**CHANNEL** concrete, rectangular section.

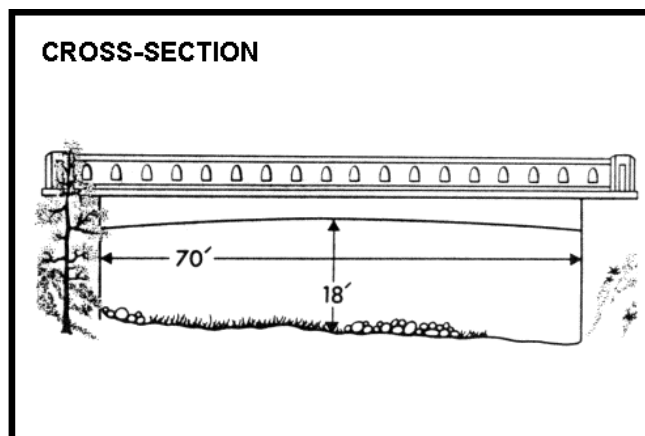
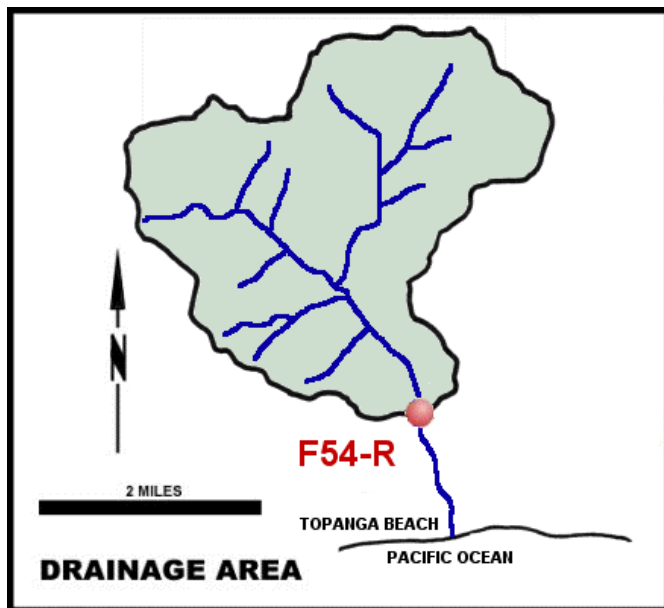
**CONTROL** channel forms control.

**LENGTH OF RECORD** at Station F194-R, February 22, 1932 to September 1, 1935; at Station F194B-R, December 5, 1960 to date.

**RUNOFF - STREAM GAGING STATION INFORMATION**

# TOPANGA CREEK

*above Mouth of Canyon*  
**STATION NO. F54C-R**



**RECORDER** continuous water stage.

**METHOD OF MEASUREMENT** wading.

**DRAINAGE AREA** 18.00 square miles.

**LOCATION** downstream side to Topanga Canyon Road bridge, 2.0 miles north of Topanga Beach.

**REGULATION** none.

**DIVERSION** none.

**CHANNEL** rock and gravel, natural section.

**CONTROL** none.

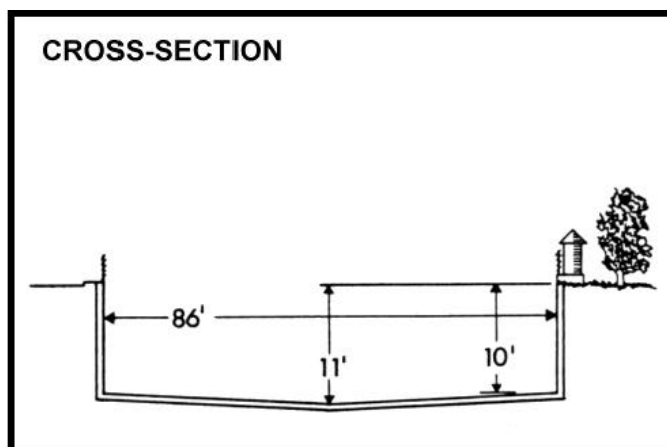
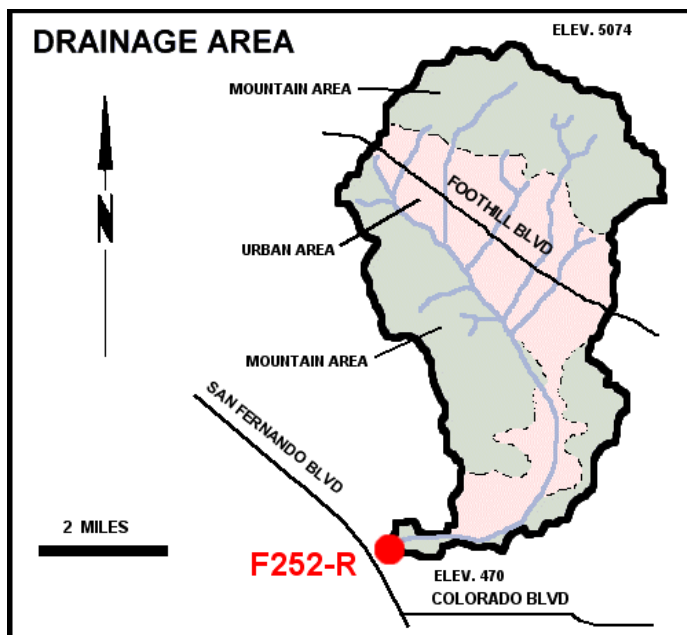
**LENGTH OF RECORD** at Station F54-R, January 1, 1930 to June 4, 1940; at Station F54B-R, June 5, 1940 to January 31, 1990; at Station 54C-R, October 1, 1997 to date.

## RUNOFF - STREAM GAGING STATION INFORMATION

# VERDUGO WASH

## @ Estelle Avenue

### STATION NO. F252-R



**RECORDER** continuous water stage.

**METHOD OF MEASUREMENT** wading or from Concord Street bridge.

**DRAINAGE AREA** 26.80 square miles.

**LOCATION** 800 feet east of San Fernando Road, 2.0 miles northwest of Glendale.

**REGULATION** partially regulated by several debris basins.

**DIVERSION** none.

**CHANNEL** concrete, rectangular section.

**CONTROL** channel forms control.

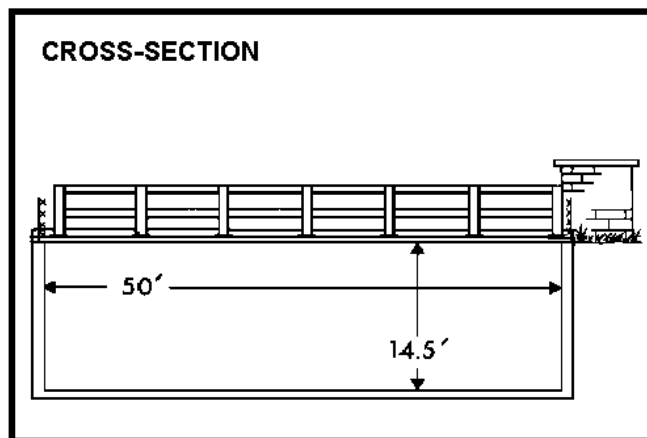
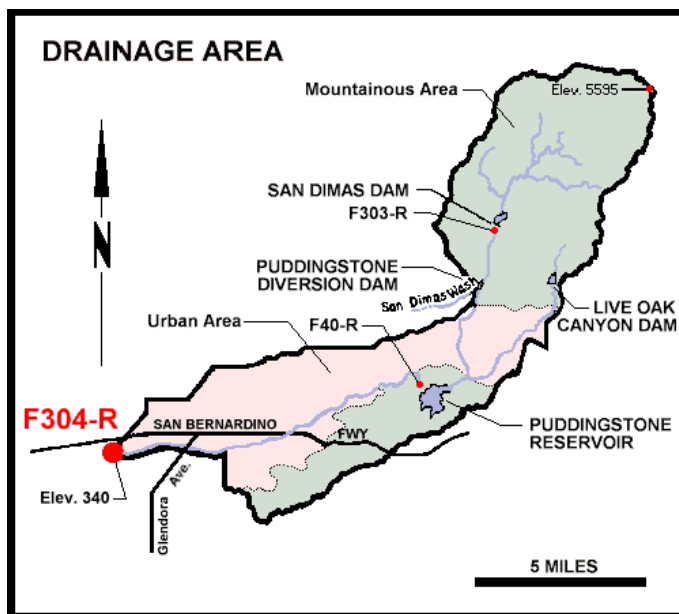
**LENGTH OF RECORD** December 2, 1935 to date.

## RUNOFF - STREAM GAGING STATION INFORMATION

# WALNUT CREEK

## *above* Puente Avenue

### STATION NO. F304-R



**RECORDER** 5 min. interval data logger.

**METHOD OF MEASUREMENT** wading or from footbridge.

**DRAINAGE AREA** 57.60 square miles.

**LOCATION** 845.0 feet upstream of Puente Avenue bridge, Baldwin park.

**REGULATION** partially regulated by San Dimas, Puddingstone Diversion, Puddingstone, and Live Oak Dams.

**DIVERSION** none.

**CHANNEL** concrete, rectangular section.

**CONTROL** channel forms control.

**LENGTH OF RECORD** October 14, 1952 to April 11, 1961, January 3, 1962 to date.

**REMARKS** no record during April 11, 1961 to January 3, 1962 due to channel construction.

# **APPENDIX C**

**RUNOFF – DAILY DISCHARGE**

# RUNOFF – DAILY DISCHARGE

WESTERN HYDROLOGIC SYSTEMS - (916) 885-2480

F81D-R ALHAMBRA WASH ABOVE KLINGERMAN

DAILY DISCHARGE IN CUBIC FEET PER SECOND WATER YEAR OCT 1998 TO SEP 1999

Day	OCT	NOV	DEC	JAN	FEB	MAR	APR	MAY	JUN	JUL	AUG	SEP
1	2.0	1.6	12	3.1	3.2	2.3	17	2.0	1.3	2.1	2.1	2.5
2	2.3	1.9	2.2	3.1	5.9	2.0	6.5	2.1	107	2.1	3.6	2.1
3	2.1	2.2	4.7	3.1	.94	1.7	2.4	2.1	34	4.1	2.8	2.0
4	2.0	1.8	3.4	3.6	12	2.0	1.5	2.0	4.2	9.1	2.1	1.9
5	1.9	1.5	4.6	3.3	30	1.5	1.9	2.3	1.5	7.1	2.3	1.9
6	2.0	1.8	21	3.1	1.2	1.5	142	2.2	2.1	10	2.1	1.8
7	2.3	1.8	1.1	3.3	.80	1.5	64	2.3	2.4	8.5	2.1	1.9
8	2.1	61	.63	3.0	3.1	1.5	11	2.4	2.5	14	2.1	1.8
9	2.1	1.7	.77	2.9	79	7.1	3.1	2.4	2.8	10	2.3	1.9
10	2.3	2.6	.74	2.7	4.8	2.5	1.5	2.4	2.6	7.6	2.2	2.1
11	2.2	15	.63	4.1	1.2	2.2	98	2.4	2.9	3.3	2.3	2.0
12	2.2	5.5	.81	2.2	1.2	2.1	38	2.5	2.9	5.3	2.5	1.9
13	2.1	1.6	.98	2.3	4.0	2.1	1.8	2.4	2.8	4.6	3.1	1.9
14	2.4	1.8	1.1	2.0	4.1	2.0	1.2	2.4	3.0	2.1	2.5	1.5
15	2.0	1.8	1.4	1.9	2.7	69	1.1	2.8	5.6	9.7	2.1	2.0
16	2.1	2.1	.40	1.9	.92	1.9	1.2	2.6	8.4	18	2.3	2.3
17	2.1	1.9	.39	1.7	1.1	1.3	1.2	2.7	1.9	18	2.5	2.8
18	1.6	2.2	.44	1.8	1.6	1.3	1.1	2.3	2.4	17	2.8	2.3
19	1.8	1.9	.40	1.8	1.7	1.2	1.2	1.8	2.6	18	2.8	2.0
20	1.8	1.9	.31	29	1.5	21	1.3	1.9	2.7	15	3.7	2.0
21	2.1	1.6	.30	1.5	1.6	1.5	1.5	2.5	2.7	2.9	2.8	4.8
22	2.2	1.5	.30	1.4	1.6	3.3	1.6	9.9	2.4	2.2	2.4	7.2
23	2.1	1.8	.43	1.2	2.0	3.4	4.4	22	2.3	2.1	2.9	1.9
24	2.0	1.9	.33	1.2	1.6	3.9	2.2	4.1	2.5	2.4	2.6	1.3
25	1.8	2.2	.35	58	1.4	47	1.6	2.8	2.5	2.4	2.5	1.1
26	1.8	2.1	.36	118	2.2	2.5	1.7	2.3	2.1	2.3	2.4	1.0
27	2.0	2.1	.36	4.7	1.8	1.3	1.7	2.1	1.7	2.3	2.3	1.3
28	1.8	136	4.1	.85	1.8	1.3	1.5	1.9	1.8	2.3	2.1	1.3
29	1.9	2.8	15	.90	-----	2.3	1.5	1.5	2.1	2.2	2.1	1.3
30	1.8	1.3	9.2	.67	-----	1.5	1.7	1.5	2.1	2.1	2.1	1.2
31	1.7	-----	3.6	70	-----	4.6	-----	1.2	-----	2.1	3.4	-----
TOTAL	62.6	266.9	92.33	338.32	174.96	200.3	416.4	97.8	217.8	210.9	77.9	63.0
MEAN	2.02	8.90	2.98	10.9	6.25	6.46	13.9	3.15	7.26	6.80	2.51	2.10
MAX	2.4	136	21	118	79	69	142	22	107	18	3.7	7.2
MIN	1.6	1.3	.30	.67	.80	1.2	1.1	1.2	1.3	2.1	2.1	1.0
AC-FT	124	529	183	671	347	397	826	194	432	418	155	125
CAL YEAR 1998	TOTAL	421.83	MEAN	4.59	MAX	136	MIN	.30	AC-FT	836		
WTR YEAR 1999	TOTAL	2,219.21	MEAN	6.08	MAX	142	MIN	.30	AC-FT	4,400		

# RUNOFF – DAILY DISCHARGE

WESTERN HYDROLOGIC SYSTEMS - (916) 885-2480

F317-R      ALCADIA WASH @ GRAND AVE.

DAILY DISCHARGE IN CUBIC FEET PER SECOND WATER YEAR OCT 1998 TO SEP 1999

Day	OCT	NOV	DEC	JAN	FEB	MAR	APR	MAY	JUN	JUL	AUG	SEP
1	1.9	1.8	6.0	1.5	1.3	.76	15	1.5	3.0	1.5	.87	.54
2	1.9	1.8	1.4	1.5	.79	.91	4.2	1.5	59	1.5	.88	.55
3	1.9	1.9	2.5	1.5	.94	.91	1.0	1.5	26	1.5	.90	.52
4	1.8	1.6	3.5	1.5	4.4	2.3	1.1	1.4	1.1	1.3	.88	.53
5	1.6	1.6	1.1	1.5	22	1.2	9.7	1.5	.88	1.5	.85	.50
6	1.7	1.9	13	2.8	10	1.1	151	1.5	.88	1.4	.79	.63
7	1.9	1.7	1.0	3.6	.74	1.0	56	1.6	1.0	1.4	.76	.77
8	1.8	45	1.0	1.8	1.4	1.0	12	1.7	.92	1.4	.75	.73
9	1.9	3.0	1.3	1.6	66	2.5	.98	1.7	1.2	1.3	.89	.70
10	2.0	2.7	1.1	1.8	1.2	1.5	.89	1.8	1.3	1.7	.82	.67
11	1.9	6.1	1.0	2.0	.79	1.5	78	1.7	1.0	1.3	.77	.65
12	2.1	4.6	1.2	1.7	.77	1.3	24	1.7	1.0	1.2	.73	.66
13	2.0	4.6	1.1	1.7	.80	1.2	1.4	1.7	.95	1.2	.72	.67
14	2.1	4.1	1.1	1.9	.87	1.2	1.2	1.6	1.0	1.2	.73	.65
15	2.1	4.1	.97	1.9	.88	54	1.0	1.6	1.1	1.2	.67	.67
16	1.9	4.1	1.8	1.8	.86	1.1	1.0	1.5	1.2	1.2	.65	.62
17	2.0	3.9	1.6	1.8	.93	.81	.91	1.7	1.2	1.1	.69	.59
18	1.9	3.7	1.0	2.5	.98	1.4	.89	1.7	1.2	1.2	.65	.59
19	2.5	3.6	1.7	1.8	1.2	.80	1.1	1.7	1.2	1.4	.56	.61
20	2.3	3.6	1.2	29	1.3	21	1.7	1.7	1.2	1.3	.54	.63
21	2.3	3.4	1.9	2.7	.89	.86	2.4	1.6	1.4	1.2	.54	.64
22	2.2	3.3	1.4	2.3	2.5	.78	4.0	4.9	1.3	1.4	.56	.68
23	2.1	2.2	1.1	2.1	.78	.80	11	13	1.6	1.6	.58	.66
24	2.1	1.5	1.1	2.2	.88	.84	1.0	4.2	1.5	1.3	.55	.67
25	2.0	1.4	1.1	58	.81	31	1.1	3.9	1.9	1.1	.56	.68
26	1.9	4.8	1.4	99	.88	2.3	1.2	3.7	1.6	1.1	.56	.63
27	1.8	1.0	1.4	1.6	.80	3.6	1.1	3.6	1.4	.81	.53	.61
28	1.8	68	1.5	1.7	.74	.87	1.3	3.4	1.4	.79	.58	.59
29	2.1	1.4	1.6	1.7	-----	.91	1.9	3.3	1.6	.72	.62	.66
30	2.1	1.1	1.8	1.7	-----	3.0	3.0	3.1	1.5	.72	.61	.75
31	2.0	-----	1.7	20	-----	9.8	-----	2.9	-----	.82	.59	-----
TOTAL	61.6	193.5	60.57	258.2	126.43	152.25	391.07	79.9	121.53	38.36	21.38	19.05
MEAN	1.99	6.45	1.95	8.33	4.52	4.91	13.0	2.58	4.05	1.24	.69	.64
MAX	2.5	68	13	99	66	54	151	13	59	1.7	.90	.77
MIN	1.6	1.0	.97	1.5	.74	.76	.89	1.4	.88	.72	.53	.50
AC-FT	122	384	120	512	251	302	776	158	241	76	42	38
CAL YEAR 1998	TOTAL	315.67	MEAN	3.43	MAX	68	MIN	.97	AC-FT	626		
WTR YEAR 1999	TOTAL	1,523.84	MEAN	4.17	MAX	151	MIN	.50	AC-FT	3,020		

AS OF 10/07/99



# RUNOFF – DAILY DISCHARGE

WESTERN HYDROLOGIC SYSTEMS - (916) 885-2480

F277-R ARROYO SECO BELOW DEVIL'S GATE

DAILY DISCHARGE IN CUBIC FEET PER SECOND WATER YEAR OCT 1998 TO SEP 1999

Day	OCT	NOV	DEC	JAN	FEB	MAR	APR	MAY	JUN	JUL	AUG	SEP
1	.12	.20	2.6	0	0	0	.85	.88	.80B	.80B	.50B	.16
2	.12	.20	1.1	0	0	0	.59	.88	14 B	.80B	.50B	.16
3	.12	.20	.50	0	0	0	0	.88	3.1 B	.80B	.50B	.16
4	.12	.20	.48	0	0	0	0	.88	.80B	.80B	.50B	.16
5	.12	.20	.48	0	0	0	0	.88	.80B	.80B	.50B	.16
6	.12	.20	2.7	0	0	0	8.8	.88	.80B	.80B	.50B	.16
7	.12	.20	.45	0	0	0	7.1	.88	.80B	.80B	.50B	.16
8	.12	.20	.40	0	0	0	1.4	.88	.80B	.80B	.50B	.16
9	.12	.20	.40	.15	0	0	.11	.88	.80B	.70B	.50B	.16
10	.12	.20	.40	0	0	0	0	.88	.80B	.70B	.50B	1.7
11	.12	.20	.40	0	15	0	5.0	.88	.80B	.70B	.50B	.22
12	.12	.12	.36	0	16	0	6.8	.88	.80B	.70B	.50B	.12
13	.12	0	.36	0	0	0	0	.88	.80B	.70B	.50B	.12
14	.12	0	.36	0	0	0	0	.88	.80B	.70B	.50B	.12
15	.12	0	.36	0	0	9.3	0	.88	.80B	.70B	.50B	.12
16	.12	0	.34	0	0	.02	0	.88	1.9 B	.60B	.50B	.09
17	.12	0	.32	0	0	0	0	.88	.90B	.60B	.50B	.08
18	.12	0	.32	0	0	0	0	.88	.90B	.60B	.50B	.08
19	.12	0	.32	0	0	0	0	.88	.90B	.60B	.50B	.08
20	.12	0	.32	0	0	1.4	0	.88	.90B	.60B	.50B	.08
21	.12	0	.28	0	0	0	0	.88	.90B	.60B	.40B	.08
22	.12	0	.28	0	0	0	0	.88	.90B	.60B	.40B	.05
23	.12	0	.47	0	0	0	0	.88	.90B	.50B	.30B	.04
24	.12	5.6	3.1	0	0	0	0	.88	.90B	.50B	.30B	.04
25	.12	5.0	.25	0	0	3.4	0	.88	.90B	.50B	.20B	.04
26	.12	.20	.24	5.4	0	0	0	.88	.90B	.50B	.20B	.04
27	.12	.20	.24	5.2	0	0	0	.88	.90B	.50B	.20B	.04
28	.12	.20	.24	0	0	0	0	.88	.90B	.50B	.20B	0
29	.12	.20	.23	0	-----	0	0	.88	.90B	.50B	.20B	0
30	.12	.20	.20	0	-----	0	0	.88	.90B	.50B	.20B	0
31	.12	-----	.20	0	-----	0	-----	.88	-----	.50B	.20B	-----
TOTAL	3.72	13.92	18.70	10.75	31	14.12	30.65	27.28	42.00	20.00	12.80	4.58
MEAN	.12	.46	.60	.35	1.11	.46	1.02	.88	1.40	.65	.41	.15
MAX	.12	5.6	3.1	5.4	16	9.3	8.8	.88	14	.80	.50	1.7
MIN	.12	0	.20	0	0	0	0	.88	.80	.50	.20	0
AC-FT	7.4	28	37	21	61	28	61	54	83	40	25	9.1
CAL YEAR 1998	TOTAL	36.34	MEAN	.40	MAX	5.6	MIN	0	AC-FT	72		
WTR YEAR 1999	TOTAL	229.52	MEAN	.63	MAX	16	MIN	0	AC-FT	455		

(1)mean dailies were calculated by using outflow records due to poor communications for the month of May. B: No gage ht. record: due to obstructed communications.

# RUNOFF – DAILY DISCHARGE

WESTERN HYDROLOGIC SYSTEMS - (916) 885-2480

F250-R AZUSA CONDUIT (SANDBOX 20' WEIR)

DAILY DISCHARGE IN CUBIC FEET PER SECOND WATER YEAR OCT 1998 TO SEP 1999

Day	OCT	NOV	DEC	JAN	FEB	MAR	APR	MAY	JUN	JUL	AUG	SEP
1	73	63	126	72	70	70	70	74	48	70	70	69
2	72	71	125	74	70	67	70	76	48	70	70	59
3	71	71	125	74	70	68	70	73	47	70	69	49
4	68	71	123	71	68	68	70	15	47	70	70	48
5	72	72	121	70	68	70	70	30	49	70	67	48
6	73	72	124	69	68	70	70	70	49	70	65	48
7	72	72	128	69	66	69	70	71	60	71	64	49
8	69	72	130	67	71	70	69	71	70	70	63	49
9	68	73	132	67	71	69	71	71	70	70	64	47
10	67	73	124	67	73	68	72	70	70	70	64	47
11	66	74	136	67	73	69	72	69	70	70	64	47
12	63	75	137	65	74	70	71	66	70	70	64	47
13	66	74	139	64	74	67	69	50	70	70	63	47
14	16	73	95	65	75	67	69	44	70	70	62	48
15	0	73	63	66	74	67	69	45	70	70	61	48
16	0	83	42	66	75	67	69	46	70	70	62	49
17	34	106	44	70	77	65	69	45	70	70	66	48
18	66	135	66	70	77	63	69	49	70	70	65	46
19	67	136	77	70	76	63	69	49	70	70	67	46
20	67	138	75	67	76	65	69	48	70	70	67	46
21	71	138	76	67	75	65	69	48	70	70	66	48
22	71	95	77	67	77	61	69	48	70	70	68	49
23	71	95	77	67	76	60	69	48	70	70	70	50
24	70	124	75	70	75	60	68	48	70	70	70	53
25	71	109	74	70	72	59	67	48	70	70	69	52
26	69	75	74	70	77	67	65	48	70	70	69	51
27	69	91	73	70	75	70	65	48	70	70	68	51
28	83	100	73	70	74	70	68	48	70	70	68	52
29	101	119	73	68	-----	70	70	48	70	70	69	60
30	74	128	73	68	-----	70	73	48	70	70	72	74
31	22	-----	73	70	-----	70	-----	48	-----	70	68	-----
TOTAL	1,922	2,751	2,950	2,127	2,047	2,074	2,080	1,660	1,958	2,171	2,064	1,525
MEAN	62.0	91.7	95.2	68.6	73.1	66.9	69.3	53.5	65.3	70.0	66.6	50.8
MAX	101	138	139	74	77	70	73	76	70	71	72	74
MIN	0	63	42	64	66	59	65	15	47	70	61	46
AC-FT	3,810	5,460	5,850	4,220	4,060	4,110	4,130	3,290	3,880	4,310	4,090	3,020
CAL YEAR 1998	TOTAL	7,623	MEAN	82.9	MAX	139	MIN	0	AC-FT	15,120		
WTR YEAR 1999	TOTAL	25,329	MEAN	69.4	MAX	139	MIN	0	AC-FT	50,230		

SAN GABRIEL DAM AZUSA CONDUIT (SANDBOX 20' WEIR) STRUCTURE AXSYS RECORDER DATA  
AS OF 10-25-99 BY SOO KHOO.

# RUNOFF – DAILY DISCHARGE

WESTERN HYDROLOGIC SYSTEMS - (916) 885-2480

F220B-R AZUSA CONDUIT (SANDBOX 10' WEIR)

DAILY DISCHARGE IN CUBIC FEET PER SECOND WATER YEAR OCT 1998 TO SEP 1999

Day	OCT	NOV	DEC	JAN	FEB	MAR	APR	MAY	JUN	JUL	AUG	SEP
1	69	60	70	68	69	68	70	70	50	69	68	71
2	69	60	70	68	69	68	70	70	50	69	68	68
3	69	60	70	68	69	68	70	70	50	69	68	51
4	69	60	69	68	70	69	69	14	50	69	66	48
5	69	60	68	68	71	69	69	30	51	69	67	48
6	69	59	68	69	70	70	69	69	51	69	68	48
7	72	60	68	68	70	70	70	69	61	69	68	48
8	73	60	68	70	71	70	69	69	70	68	68	47
9	74	60	68	70	71	70	69	69	69	69	68	47
10	74	60	70	61	70	70	69	69	70	70	68	48
11	74	60	70	37	69	70	69	69	70	69	68	47
12	74	61	70	61	69	70	69	70	70	70	68	47
13	73	61	70	66	69	70	69	54	70	70	67	48
14	17	61	68	68	68	70	69	48	69	70	67	48
15	0	60	56	68	68	70	69	48	68	72	66	48
16	0	60	37	68	68	70	70	48	68	71	68	48
17	37	66	37	67	68	70	69	48	68	69	68	48
18	71	70	58	67	68	70	69	48	68	69	68	48
19	71	70	67	67	68	70	69	49	68	69	69	46
20	70	70	66	67	68	70	69	48	68	69	69	48
21	66	70	67	67	68	70	69	47	68	69	68	48
22	59	70	68	69	67	70	70	47	68	69	68	48
23	58	70	68	69	67	70	69	47	68	69	68	50
24	58	70	68	69	67	70	69	48	68	69	69	52
25	58	70	68	69	67	70	69	48	69	69	69	51
26	58	72	68	69	67	70	69	49	69	69	69	51
27	61	71	68	69	67	70	69	49	69	69	69	51
28	59	70	68	69	68	70	70	49	69	69	69	51
29	60	70	68	69	-----	70	70	49	69	69	68	60
30	51	70	68	69	-----	70	70	50	69	69	70	72
31	24	-----	68	69	-----	70	-----	50	-----	69	71	-----
TOTAL	1,806	1,941	2,035	2,071	1,921	2,162	2,079	1,662	1,945	2,147	2,113	1,534
MEAN	58.3	64.7	65.6	66.8	68.6	69.7	69.3	53.6	64.8	69.3	68.2	51.1
MAX	74	72	70	70	71	70	70	70	70	72	71	72
MIN	0	59	37	37	67	68	69	14	50	68	66	46
AC-FT	3,580	3,850	4,040	4,110	3,810	4,290	4,120	3,300	3,860	4,260	4,190	3,040
CAL YEAR 1998	TOTAL	5,782	MEAN	62.8	MAX	74	MIN	0	AC-FT	11,470		
WTR YEAR 1999	TOTAL	23,416	MEAN	64.2	MAX	74	MIN	0	AC-FT	46,450		

DATA AS OF 10-25-99 BY SOO KHOO.

# RUNOFF – DAILY DISCHARGE

WESTERN HYDROLOGIC SYSTEMS - (916) 885-2480

F38C-R      BALLONA CREEK ABOVE SAWTELLE

DAILY DISCHARGE IN CUBIC FEET PER SECOND WATER YEAR OCT 1998 TO SEP 1999

Day	OCT	NOV	DEC	JAN	FEB	MAR	APR	MAY	JUN	JUL	AUG	SEP
1	25	17	164	17	15	13	44	19	22	22	20	17
2	26	18	19	17	13	13	16	19	571	19	21	18
3	27	18	21	14	13	14	15	21	133	14	20	17
4	32	18	20	19	16	12	14	24	22	11	20	16
5	32	18	24	17	126	11	15	27	16	12	20	15
6	31	17	223	18	13	11	623	30	15	12	19	15
7	30	16	14	18	13	11	409	33	17	11	18	16
8	29	686	15	18	14	11	61	41	15	14	17	18
9	32	13	15	17	285	37	20	43	15	14	19	18
10	37	12	14	18	18	11	16	47	16	12	18	18
11	41	34	13	19	13	11	1,260	50	16	24	17	18
12	45	12	17	19	13	11	127	55	17	14	13	18
13	42	13	15	19	13	11	17	55	17	13	13	19
14	34	14	15	19	13	12	16	51	17	14	12	19
15	38	12	16	19	13	572	16	46	18	15	12	16
16	39	12	17	22	13	12	16	53	18	18	14	13
17	38	13	18	17	13	11	16	45	17	20	14	13
18	37	14	18	18	12	11	16	51	17	19	14	12
19	36	13	18	18	12	11	16	44	17	22	15	12
20	26	13	19	102	12	248	17	49	18	17	14	11
21	21	13	17	18	11	11	18	54	17	17	12	12
22	23	13	15	18	11	12	20	38	18	18	13	12
23	26	14	18	18	13	12	19	32	19	18	15	95
24	23	14	19	18	14	12	18	31	20	18	15	11
25	20	14	18	385	14	745	17	28	20	18	16	11
26	20	14	18	703	15	19	19	27	21	19	17	10
27	21	13	18	27	13	13	19	28	25	19	18	10
28	21	561	19	15	12	13	22	26	24	20	18	11
29	20	17	19	13	-----	15	19	24	24	20	18	14
30	26	15	17	13	-----	14	19	28	30	20	19	12
31	17	-----	17	492	-----	15	-----	33	-----	20	18	-----
TOTAL	915	1,671	890	2,165	756	1,935	2,940	1,152	1,232	524	509	517
MEAN	29.5	55.7	28.7	69.8	27.0	62.4	98.0	37.2	41.1	16.9	16.4	17.2
MAX	45	686	223	703	285	745	1,260	55	571	24	21	95
MIN	17	12	13	13	11	11	14	19	15	11	12	10
AC-FT	1,810	3,310	1,770	4,290	1,500	3,840	5,830	2,280	2,440	1,040	1,010	1,030
CAL YEAR 1998	TOTAL	3,476	MEAN	37.8	MAX	686	MIN	12	AC-FT	6,890		
WTR YEAR 1999	TOTAL	15,206	MEAN	41.7	MAX	1,260	MIN	10	AC-FT	30,150		

# RUNOFF – DAILY DISCHARGE

WESTERN HYDROLOGIC SYSTEMS - (916) 885-2480

F120B-R      BIG DALTON CREEK BELOW DAM

DAILY DISCHARGE IN CUBIC FEET PER SECOND WATER YEAR OCT 1998 TO SEP 1999

Day	OCT	NOV	DEC	JAN	FEB	MAR	APR	MAY	JUN	JUL	AUG	SEP
1	0	.26	.46	.10	5.2	.30	2.6	.40	.40	0	0	.10
2	0	.20	.40	.06	4.9	.30	.20	.40	.45	4.1	0	.03
3	0	.20	.40	0	.59	.25	.20	2.6	1.7	2.0	0	0
4	0	.20	.40	6.7	.50	.20	.20	.50	.10	.20	0	0
5	.51	3.7	.40	5.8	.50	.20	2.1	.50	.10	.10	0	0
6	.53	5.5	.38	.50	.50	.20	.50	2.4	.10	0	0	0
7	.40	3.6	5.2	.50	.45	.20	.50	.50	.10	0	0	0
8	.10	.50	5.5	.43	.40	.15	.50	.50	.10	0	0	0
9	0	.44	1.9	.40	.40	2.7	.50	.50	.10	0	7.4	0
10	0	.40	.40	.40	.40	.54	.50	.50	1.8	0	9.9	0
11	0	.40	.40	.40	.40	2.2	.50	.50	.10	0	7.5	0
12	.02	.40	.40	.40	.33	.51	6.1	2.7	.10	0	.66	0
13	.19	.40	.40	.40	.30	.49	2.8	.50	.10	0	.55	0
14	459	.30	.40	.33	.30	.40	.50	.50	.06	.08	.45	0
15	293	.30	.40	.30	.30	.40	.50	.50	2.1	0	.43	0
16	7.9	.30	.40	.30	5.7	.40	.50	.50	.06	0	.36	0
17	7.9	.30	.40	.30	5.5	.40	.50	2.9	0	0	.25	0
18	2.2	.30	.40	.30	.63	2.8	.50	.40	0	0	.20	0
19	.30	.30	.40	.30	.60	.54	.50	.40	0	0	.20	0
20	.20	.30	.40	.30	.60	.50	.50	.40	0	0	.20	0
21	.11	.30	.37	.30	.50	.45	.50	.40	0	0	.12	0
22	0	.27	.30	.21	.44	.40	.50	.40	1.9	0	.10	0
23	0	.20	.29	.20	.40	.40	.50	.46	.25	0	.10	0
24	0	.20	.20	.20	.40	.40	.50	1.8	.10	0	.10	0
25	0	.20	.20	.20	.40	2.8	4.4	.50	.26	0	.10	0
26	0	.20	.20	.20	.40	.52	2.1	.53	.29	0	.10	0
27	0	.20	.20	.16	.32	.50	.50	1.8	.20	0	.10	0
28	.24	.20	.20	.10	.30	.40	.44	.45	.17	0	.10	0
29	.30	.20	.13	.05	-----	.40	.40	2.3	.15	0	.10	0
30	.30	.44	.10	0	-----	2.5	.40	.40	.10	0	.10	0
31	.30	-----	.10	0	-----	.20	-----	.40	-----	0	.10	-----
TOTAL	773.50	20.71	21.73	19.84	31.66	22.65	30.94	27.54	10.89	6.48	29.22	0.13
MEAN	25.0	.69	.70	.64	1.13	.73	1.03	.89	.36	.21	.94	.004
MAX	459	5.5	5.5	6.7	5.7	2.8	6.1	2.9	2.1	4.1	9.9	.10
MIN	0	.20	.10	0	.30	.15	.20	.40	0	0	0	0
AC-FT	1,530	41	43	39	63	45	61	55	22	13	58	.3
CAL YEAR 1998	TOTAL	815.94	MEAN	8.87	MAX	459	MIN	0	AC-FT	1,610		
WTR YEAR 1999	TOTAL	995.29	MEAN	2.73	MAX	459	MIN	0	AC-FT	1,970		

BIG DALTON DAM OUTFLOW STATION F-120R AXSYS RECORDER DATA AS OF 09-09-99 BY  
SOO KHOO

# RUNOFF – DAILY DISCHARGE

WESTERN HYDROLOGIC SYSTEMS - (916) 885-2480

F394-R      BIG ROCK CREEK UPSTREAM OF PALLETTE CREEK

DAILY DISCHARGE IN CUBIC FEET PER SECOND WATER YEAR OCT 1998 TO SEP 1999

Day	OCT	NOV	DEC	JAN	FEB	MAR	APR	MAY	JUN	JUL	AUG	SEP
1	10	5.9	7.1	5.6	5.3	4.4	3.9	3.5	5.0	3.0	2.4	1.5
2	10	6.0	7.0	5.6	5.3	4.4	3.7	3.4	5.3	2.9	2.4	1.5
3	10	6.1	7.0	5.6	5.3	4.5	3.7	3.4	5.2	2.9	2.4	1.6
4	10	6.3	7.0	5.6	5.3	4.8	3.4	3.6	5.1	3.0	2.1	1.6
5	10	6.2	7.0	5.9	5.3	4.7	3.4	3.6	5.2	2.9	1.8	1.5
6	10	6.1	7.1	5.9	5.3	4.7	3.4	3.6	5.1	2.9	2.0	1.5
7	9.9	6.1	6.7	5.8	5.3	4.7	3.6	3.5	5.0	2.8	2.0	1.5
8	9.8	6.0	6.6	5.6	4.8	4.4	3.7	3.5	4.1	2.9	2.0	1.5
9	9.7	6.1	6.6	5.7	4.7	4.0	3.7	3.5	3.6	2.8	2.0	1.4
10	9.9	6.0	6.5	6.1	4.9	3.7	3.6	3.5	3.6	2.8	1.9	1.5
11	9.9	7.2	6.1	6.0	4.8	3.8	3.7	3.5	3.6	2.8	1.8	1.5
12	9.7	6.5	6.0	5.5	4.7	3.9	4.3	3.5	3.5	2.8	1.8	1.5
13	9.6	6.2	6.0	5.4	4.8	3.9	4.0	3.5	3.4	2.8	1.6	1.4
14	9.2	6.1	5.9	5.3	4.7	4.1	3.6	3.7	3.4	2.7	1.5	1.4
15	8.9	5.9	5.9	5.3	4.8	4.3	3.6	3.7	3.3	2.6	1.4	1.3
16	8.5	6.1	5.9	5.3	4.8	4.3	3.6	3.7	3.4	2.6	1.5	1.3
17	8.0	6.3	5.9	5.6	4.8	4.4	3.5	3.6	3.4	2.7	1.7	1.3
18	7.7	6.6	5.8	5.6	4.7	4.4	3.5	3.6	3.2	2.8	1.9	1.2
19	7.3	6.6	5.6	5.6	4.9	4.4	3.6	3.6	3.2	2.7	1.9	1.1
20	7.1	6.6	5.6	5.6	4.7	4.7	3.7	3.8	2.9	2.6	1.9	1.1
21	6.5	6.6	5.4	5.6	4.8	4.7	3.7	4.0	2.8	2.6	1.9	1.0
22	6.4	6.6	5.4	5.6	4.9	4.6	3.7	4.1	2.9	2.6	1.8	1.0
23	6.3	6.8	5.3	5.6	4.8	4.2	3.5	4.1	2.9	2.6	1.8	1.0
24	6.3	7.3	5.1	5.6	4.6	3.9	3.5	4.5	2.9	2.4	1.7	1.0
25	6.4	7.6	5.0	6.2	4.4	4.2	3.5	4.3	2.9	2.3	1.6	1.1
26	6.6	7.8	4.9	5.6	4.4	4.2	3.2	4.3	3.1	2.3	1.6	1.1
27	6.4	7.8	5.3	5.6	4.5	4.4	3.3	4.5	3.0	2.3	1.6	1.1
28	6.3	18	5.4	5.6	4.4	4.3	3.4	4.4	2.9	2.3	1.6	1.1
29	6.1	9.3	5.5	5.6	-----	4.3	3.4	4.3	3.0	2.3	1.6	1.1
30	5.9	7.5	5.3	5.5	-----	4.1	3.5	4.6	3.1	2.2	1.6	1.1
31	5.9	-----	5.4	5.4	-----	4.0	-----	4.6	-----	2.4	1.6	-----
TOTAL	254.3	210.2	185.3	174.5	136.0	133.4	107.9	119.0	110.0	82.3	56.4	38.8
MEAN	8.20	7.01	5.98	5.63	4.86	4.30	3.60	3.84	3.67	2.65	1.82	1.29
MAX	10	18	7.1	6.2	5.3	4.8	4.3	4.6	5.3	3.0	2.4	1.6
MIN	5.9	5.9	4.9	5.3	4.4	3.7	3.2	3.4	2.8	2.2	1.4	1.0
AC-FT	504	417	368	346	270	265	214	236	218	163	112	77
CAL YEAR 1998	TOTAL	649.8	MEAN	7.06	MAX	18	MIN	4.9	AC-FT	1,290		
WTR YEAR 1999	TOTAL	1,608.1	MEAN	4.41	MAX	18	MIN	1.0	AC-FT	3,190		

stream narrowed by "CAT" work: 2/26@1345-1355 "CAT" work: 5/20 1430-1445

# RUNOFF – DAILY DISCHARGE

WESTERN HYDROLOGIC SYSTEMS - (916) 885-2480

F168-R      BIG TUJUNGA CREEK BELOW DAM

DAILY DISCHARGE IN CUBIC FEET PER SECOND WATER YEAR OCT 1998 TO SEP 1999

Day	OCT	NOV	DEC	JAN	FEB	MAR	APR	MAY	JUN	JUL	AUG	SEP
1	0	0	41	3.0	.10	.09	0	0	.52	2.8	.12	.03
2	0	26	31	0	27	31	0	0	.27	1.7	.09	.04
3	0	38	17	0	40	45	0	0	.42	.86	.06	.04
4	0	35	3.0	0	35	43	0	0	59	.43	.05	.04
5	25	11	0	0	15	16	38	40	.53	.23	.04	.05
6	37	0	0	0	.02	.02	55	60	.53	.14	.04	.04
7	36	0	0	0	0	.01	52	16	.48	.10	.04	.05
8	30	0	15	0	.14	0	50	0	.39	.09	.04	.05
9	6.3	0	26	0	.40	0	18	0	.34	.08	.03	.05
10	0	1.7	0	0	.38	.01	0	0	.35	.07	.04	.05
11	0	14	0	0	71	.02	0	0	.34	.07	.05	.05
12	0	19	0	27	52	.03	0	0	.40	.09	.06	.05
13	28	0	0	39	.86	.05	30	0	.43	.09	.06	.05
14	38	0	0	12	.64	.08	50	0	.45	.09	.07	.07
15	23	0	0	0	.42	33	47	0	.42	.08	.07	.05
16	0	0	23	0	.28	57	18	0	24	.07	.07	.05
17	0	0	17	0	.21	64	0	0	18	.07	.07	.05
18	0	.08	0	0	.16	23	.02	29	.50	.06	.07	.05
19	0	.01	0	0	.13	.04	23	27	.55	.05	.08	.05
20	0	0	0	0	.11	.05	66	0	.51	.04	.08	.05
21	0	0	27	0	.10	.07	62	0	.29	.03	.09	.06
22	0	0	41	0	35	.08	22	0	.20	.03	.08	.08
23	0	26	14	0	60	24	0	0	.15	.02	.08	.06
24	0	38	0	0	54	59	0	0	.10	.02	.07	.05
25	0	12	0	25	44	38	0	0	.10	.02	.08	.05
26	0	0	0	38	.11	0	0	0	.08	20	.07	.05
27	0	0	0	37	.11	0	0	0	.07	14	.07	.05
28	0	0	0	13	.11	0	0	0	.06	2.3	.06	.05
29	0	0	24	0	-----	.02	46	0	.05	1.2	.05	.05
30	0	18	35	0	-----	.05	25	0	21	.51	.04	.06
31	0	-----	18	0	-----	.08	-----	.06	-----	.23	.04	-----
TOTAL	223.3	238.79	332.0	194.0	437.28	433.70	602.02	172.06	130.53	45.57	1.96	1.52
MEAN	7.20	7.96	10.7	6.26	15.6	14.0	20.1	5.55	4.35	1.47	.063	.051
MAX	38	38	41	39	71	64	66	60	59	20	.12	.08
MIN	0	0	0	0	0	0	0	0	.05	.02	.03	.03
AC-FT	443	474	659	385	867	860	1,190	341	259	90	3.9	3.0
CAL YEAR 1998	TOTAL	794.09	MEAN	8.63	MAX	41	MIN	0	AC-FT	1,580		
WTR YEAR 1999	TOTAL	2,812.73	MEAN	7.71	MAX	71	MIN	0	AC-FT	5,570		

Record based on Dam records; due to obstructed communication; Dates: Oct, Nov,  
Dec, Jan, Feb. Cleaned mud from commun. holes 9/14,9/22,9/27

# RUNOFF – DAILY DISCHARGE

WESTERN HYDROLOGIC SYSTEMS - (916) 885-2480

F377-R      BOUQUET CAYON CREEK AT URBANDALE

DAILY DISCHARGE IN CUBIC FEET PER SECOND WATER YEAR OCT 1998 TO SEP 1999

Day	OCT	NOV	DEC	JAN	FEB	MAR	APR	MAY	JUN	JUL	AUG	SEP
1	.12	0	.06	0	.14	0	0	0	0	0	0	0
2	.15	0	0	0	0	0	0	0	0	0	0	0
3	.03	0	.03	0	0	0	0	0	0	0	0	0
4	.04	0	0	0	0	0	0	0	0	0	0	0
5	.12	0	0	0	0	0	0	0	0	0	0	0
6	.12	0	.05	0	0	0	3.5	0	0	0	0	0
7	.12	0	0	0	0	0	3.0	0	0	0	0	0
8	.12	0	0	0	0	0	2.8	0	0	0	0	0
9	.12	0	0	0	2.7	.36	2.6	0	0	0	0	0
10	.12	0	0	0	.40	0	2.7	0	0	0	0	0
11	.12	0	0	0	0	0	3.8	0	0	0	0	0
12	.12	0	0	0	0	0	6.5	0	0	0	0	0
13	.12	0	0	0	0	0	.11	0	0	0	0	0
14	.12	0	0	0	0	0	0	0	0	0	0	0
15	.12	0	0	0	0	1.9	0	0	0	0	0	0
16	.12	0	0	0	0	0	0	0	0	0	0	0
17	.12	0	0	0	0	0	0	0	0	0	0	0
18	.12	0	0	0	0	0	0	0	0	0	0	0
19	.12	0	0	0	0	0	0	0	0	0	0	0
20	.12	0	0	0	0	1.9	0	0	0	0	0	0
21	.12	0	0	0	0	0	0	0	0	0	0	0
22	.12	0	0	0	0	0	0	0	0	0	0	0
23	.08	0	0	0	0	0	0	0	0	0	0	0
24	0	0	0	0	0	0	0	0	0	0	0	0
25	0	0	0	1.4	0	0	0	0	0	0	0	0
26	0	0	0	4.4	0	0	0	0	0	0	0	0
27	0	0	0	.68	0	0	0	0	0	0	0	0
28	0	0	0	0	0	0	0	0	0	0	0	0
29	0	0	0	0	-----	0	0	0	0	0	0	0
30	0	0	0	0	-----	0	0	0	0	0	0	0
31	0	-----	0	3.1	-----	0	-----	0	-----	0	-----	0
TOTAL	2.58	0	0.14	9.58	3.24	4.16	25.01	0	0	0	0	0
MEAN	.083	0	.005	.31	.12	.13	.83	0	0	0	0	0
MAX	.15	0	.06	4.4	2.7	1.9	6.5	0	0	0	0	0
MIN	0	0	0	0	0	0	0	0	0	0	0	0
AC-FT	5.1	0	.3	19	6.4	8.3	50	0	0	0	0	0
CAL YEAR 1998	TOTAL	2.72	MEAN	.030	MAX	.15	MIN	0	AC-FT	5.4		
WTR YEAR 1999	TOTAL	44.71	MEAN	.12	MAX	6.5	MIN	0	AC-FT	89		

no commun. 1/26 3/1-3/31. water shift to north. Commun. only 4/11-4/13



# RUNOFF – DAILY DISCHARGE

WESTERN HYDROLOGIC SYSTEMS - (916) 885-2480

F329-R BRADBURY CHANNEL @ CENTRAL

DAILY DISCHARGE IN CUBIC FEET PER SECOND WATER YEAR OCT 1998 TO SEP 1999

Day	OCT	NOV	DEC	JAN	FEB	MAR	APR	MAY	JUN	JUL	AUG	SEP
1	.03	.03	.97	.27	.76	.31	.13	1.1	1.6	.29	.04	.04
2	.03	.04	.62	.15	.37	.14	.03	.66	7.8	.37	.04	.08
3	.03	.03	.64	.08	.07	.18	.03	.96	.36	.04	.04	.06
4	.03	.04	.64	.15	3.8	1.3	.03	.82	.04	.07	.05	.06
5	.03	.04	.59	.07	2.0	.04	.04	.08	.04	.04	.07	.11
6	.03	.04	.95	.10	.42	.03	8.0	1.2	.04	.05	.06	.07
7	.05	.04	.44	.10	.41	.03	1.9	1.5	.09	.04	.06	.07
8	.04	2.3	.18	.10	.56	.07	.77	1.5	.04	.04	.04	.05
9	.03	.04	.13	.10	11	.07	.03	1.9	.04	.04	.04	.05
10	.03	.04	.20	.10	.11	.04	.03	3.0	.04	.04	.05	.05
11	.04	.08	.31	.19	.09	.04	5.5	3.1	.04	.05	.04	.04
12	.03	.03	.27	.30	.15	.07	1.8	1.9	.04	.04	.04	.04
13	.03	.03	.34	.30	.07	.04	.04	1.3	.04	.04	.06	.04
14	.04	.03	.08	.33	.20	.05	.04	2.3	.05	.04	.04	.04
15	.03	.04	.07	.39	.23	3.0	.04	2.7	.04	.04	.04	.04
16	.03	.05	.44	.49	.28	.03	.04	2.6	.04	.04	.04	.04
17	.03	.04	.09	.57	.27	.03	.04	1.4	.05	.04	.04	.04
18	.03	.05	.65	.68	.39	.03	.05	1.4	.04	.04	.04	.04
19	.04	.04	.80	.65	.21	.03	.04	.71	.04	.04	.04	.04
20	.03	.07	.55	2.7	.20	.42	.10	1.0	.04	.04	.04	.04
21	.04	.11	.58	.61	.34	.03	.06	1.2	.04	.04	.04	.04
22	.04	.19	.60	.59	.31	.03	.44	1.8	.06	.04	.04	.04
23	.04	.15	.84	.85	.24	.03	.91	1.1	.04	.04	.05	.06
24	.04	.13	.59	1.1	.20	.03	.72	.03	.04	.04	.04	.06
25	.04	.04	.74	9.4	.18	1.2	.88	.04	.05	.04	.05	.04
26	.06	.09	.59	16	.19	.03	1.2	.03	.06	.04	.05	.04
27	.08	.10	.77	.59	.33	.03	.95	.03	.04	.04	.04	.05
28	.06	3.6	.57	.30	.33	.03	1.7	.03	.04	.04	.06	.04
29	.05	.16	.39	.43	-----	.03	.48	.04	.04	.04	.05	.05
30	.03	.34	.13	.59	-----	.03	1.2	.04	.04	.04	.06	.06
31	.03	-----	.05	4.5	-----	.29	-----	.07	-----	.04	.06	-----
TOTAL	1.17	8.01	14.81	42.78	23.71	7.71	27.22	35.54	10.96	1.87	1.45	1.52
MEAN	.038	.27	.48	1.38	.85	.25	.91	1.15	.37	.060	.047	.051
MAX	.08	3.6	.97	16	11	3.0	8.0	3.1	7.8	.37	.07	.11
MIN	.03	.03	.05	.07	.07	.03	.03	.03	.04	.04	.04	.04
AC-FT	2.3	16	29	85	47	15	54	70	22	3.7	2.9	3.0
CAL YEAR 1998	TOTAL	23.99	MEAN	.26	MAX	3.6	MIN	.03	AC-FT	47		
WTR YEAR 1999	TOTAL	176.75	MEAN	.48	MAX	16	MIN	.03	AC-FT	350		

BRADBURY CHANNEL BELOW CENTRAL AVE. STEVEN AXSYS RECORDER STATION F329-R DATA A OF 10-25-99 BY SOO KHOO.

# RUNOFF – DAILY DISCHARGE

WESTERN HYDROLOGIC SYSTEMS - (916) 885-2480

F342-R BRANFORD STREET CHANNEL

DAILY DISCHARGE IN CUBIC FEET PER SECOND WATER YEAR OCT 1998 TO SEP 1999

Day	OCT	NOV	DEC	JAN	FEB	MAR	APR	MAY	JUN	JUL	AUG	SEP
1	.22	1.1	8.3	.17	.21	.16	.40	.22	.32	.27	.28	.24
2	.24	1.3	.79	.19	.19	.20	12	.22	15	.28	.28	.24
3	.23	1.2	.51	.15	.13	.23	.19	.22	4.5	.25	.27	.26
4	.22	1.2	.18	.15	.21	.22	.12	.16	.26	.25	.27	.25
5	.18	1.2	.14	.14	.23	.21	.13	.20	.21	.27	.29	.23
6	.23	1.2	3.5	.22	.14	.23	16	.20	.18	.25	.29	.25
7	.26	1.2	.09	.19	.13	.23	14	.19	.31	.27	.31	.23
8	.25	16	.08	.18	.27	.22	.46	.20	.18	.27	.27	.24
9	.25	1.2	.10	.20	12	4.0	.17	.20	.18	.30	.27	.25
10	.26	1.1	.14	.23	.17	.21	.12	.19	.21	.30	.31	.25
11	.25	3.7	.16	.21	.10	.41	18	.19	.20	.65	.29	.23
12	.26	1.0	.18	.20	.10	.16	5.6	.22	.19	.28	.29	.23
13	.28	1.1	.14	.22	.12	.18	.22	.21	.21	.26	.27	.25
14	.25	1.2	.14	.21	.10	.24	.20	.22	.22	.25	.27	.25
15	.23	1.1	.11	.18	.16	17	.16	.22	.25	.28	.30	.25
16	.21	1.2	.14	.28	.14	.16	.14	.22	.22	.25	.28	.27
17	.20	1.5	.15	.20	.17	.16	.15	.22	.25	.26	.24	.26
18	.21	1.2	.17	.20	.18	.21	.14	.23	.22	.24	.26	.26
19	.22	.97	.22	.31	.19	.33	.15	.23	.23	.21	.27	.25
20	.25	1.1	.24	3.0	.19	13	.22	.25	.22	.24	.29	.26
21	.25	1.1	.14	.21	.14	.20	.15	.23	.24	.24	.28	.26
22	.25	1.2	.11	.17	.15	.22	.24	.47	.22	.24	.29	.25
23	.22	1.2	.12	.20	.14	.22	.26	.62	.25	.24	.29	.25
24	.24	1.2	.12	.17	.19	.23	.19	.43	.22	.24	.26	.26
25	.23	1.2	.11	19	.18	15	.21	.37	.29	.27	.48	.24
26	.27	1.2	.18	12	.20	.27	.21	.32	.22	.26	.27	.21
27	.24	1.2	.14	.32	.21	.17	.26	.30	.24	.26	.29	.24
28	.22	13	.20	.20	.20	.19	.18	.27	.24	.26	.27	.21
29	14	1.6	.17	.12	-----	.23	.16	.25	.24	.27	.24	.25
30	3.0	1.2	.19	.15	-----	.21	.17	.24	.24	.32	.23	.24
31	1.2	-----	.21	15	-----	.15	-----	.19	-----	.27	.26	-----
TOTAL	24.82	64.87	17.17	54.37	16.54	54.85	70.60	7.90	25.96	8.50	8.76	7.36
MEAN	.80	2.16	.55	1.75	.59	1.77	2.35	.25	.87	.27	.28	.25
MAX	14	16	8.3	19	12	17	18	.62	15	.65	.48	.27
MIN	.18	.97	.08	.12	.10	.15	.12	.16	.18	.21	.23	.21
AC-FT	49	129	34	108	33	109	140	16	51	17	17	15
CAL YEAR 1998	TOTAL	106.86	MEAN	1.16	MAX	16	MIN	.08	AC-FT	212		
WTR YEAR 1999	TOTAL	361.70	MEAN	.99	MAX	19	MIN	.08	AC-FT	718		

# RUNOFF – DAILY DISCHARGE

WESTERN HYDROLOGIC SYSTEMS - (916) 885-2480

E285RO Burbank Western Storm Drain

DAILY DISCHARGE IN CUBIC FEET PER SECOND WATER YEAR OCT 1998 TO SEP 1999

Day	OCT	NOV	DEC	JAN	FEB	MAR	APR	MAY	JUN	JUL	AUG	SEP
1	13	11	35	11	12	14	17	12	11	12	14	10
2	13	14	14	11	12	13	21	13	96	13	13	9.9
3	11	14	13	12	12	13	13	14	34	13	13	9.6
4	11	13	13	11	13	13	12	12	12	12	14	10
5	13	13	12	12	21	13	13	12	11	13	15	9.7
6	12	11	31	12	13	12	77	13	11	12	16	10
7	13	11	12	12	13	12	80	14	11	12	15	10
8	12	32	12	11	12	13	14	11	11	11	14	10
9	9.7	12	13	10	47	13	14	11	10	12	14	9.8
10	10	13	12	10	12	13	14	11	11	13	13	10
11	12	20	12	11	11	14	106	14	10	12	13	10
12	13	15	12	11	12	12	39	17	10	13	13	10
13	12	13	11	11	14	14	14	17	10	12	13	10
14	12	12	11	12	12	15	13	16	10	12	13	8.2
15	12	12	12	11	12	103	12	14	10	14	12	9.4
16	12	13	12	12	12	13	11	14	9.6	11	13	9.0
17	11	13	12	12	12	13	12	13	10	13	14	9.2
18	11	13	12	12	12	12	12	14	10	13	13	9.8
19	13	13	13	12	11	13	13	14	10	13	13	9.5
20	13	12	12	22	13	70	9.5	13	8.8	13	12	10
21	12	11	12	13	12	13	12	13	11	12	11	10
22	11	9.4	13	13	12	13	13	14	10	11	11	10
23	11	11	12	13	12	13	18	15	9.8	13	11	11
24	11	11	12	12	12	13	14	15	9.6	12	10	9.7
25	11	12	11	114	12	91	14	15	10	12	9.6	10
26	11	12	12	67	12	14	13	13	9.4	13	9.5	10
27	12	11	11	15	12	13	14	9.3	10	12	8.9	11
28	12	175	12	14	13	12	13	11	10	13	10	10
29	13	12	12	14	-----	13	13	11	10	13	9.6	10
30	15	13	12	13	-----	12	13	11	11	13	9.9	10
31	12	-----	12	86	-----	12	-----	11	-----	14	7.3	-----
TOTAL	369.7	557.4	417	612	385	627	653.5	407.3	417.2	387	377.8	295.8
MEAN	11.9	18.6	13.5	19.7	13.8	20.2	21.8	13.1	13.9	12.5	12.2	9.86
MAX	15	175	35	114	47	103	106	17	96	14	16	11
MIN	9.7	9.4	11	10	11	12	9.5	9.3	8.8	11	7.3	8.2
AC-FT	733	1,110	827	1,210	764	1,240	1,300	808	828	768	749	587
CAL YEAR 1998	TOTAL	1,344.1	MEAN	14.6	MAX	175	MIN	9.4	AC-FT	2,670		
WTR YEAR 1999	TOTAL	5,506.7	MEAN	15.1	MAX	175	MIN	7.3	AC-FT	10,920		

# RUNOFF – DAILY DISCHARGE

WESTERN HYDROLOGIC SYSTEMS - (916) 885-2480

F37B-R COMPTON CREEK NEAR GREENLEAF DRIVE

DAILY DISCHARGE IN CUBIC FEET PER SECOND WATER YEAR OCT 1998 TO SEP 1999

Day	OCT	NOV	DEC	JAN	FEB	MAR	APR	MAY	JUN	JUL	AUG	SEP
1	.90	.90	42	1.6	12	2.4	6.0	2.8	1.0	.36	.90	.69
2	.90	.90	20	1.5	10	2.2	6.0	2.8	113	.36	.90	.69
3	.90	.90	17	1.5	5.4	2.1	5.4	2.7	26	.36	.90	.69
4	.90	.90	15	1.5	5.9	2.1	5.1	2.3	13	.34	.88	.69
5	.90	.90	32	1.3	28	1.8	4.8	2.1	11	.27	.88	.69
6	.82	.90	130	1.3	5.9	1.8	108	2.1	8.9	.27	.87	.69
7	.72	.84	16	1.3	5.1	1.8	111	2.1	8.1	.27	.79	.69
8	.72	245	14	1.2	4.3	1.8	20	2.1	7.7	.27	.79	.69
9	.72	19	13	1.1	61	2.4	17	2.0	7.0	.22	.79	.69
10	.77	17	11	1.1	14	3.3	12	1.8	6.6	.18	.79	.69
11	.77	16	9.9	1.1	5.1	2.8	384	1.8	6.0	.18	.79	.69
12	.90	15	8.8	.91	4.2	2.5	39	1.8	5.7	.18	.79	.69
13	.90	14	8.1	.90	3.7	2.4	14	1.7	5.4	.63	.79	.69
14	.88	13	7.4	.90	3.2	2.1	12	1.5	3.4	1.3	.79	.69
15	.79	12	6.7	.90	2.9	124	11	1.5	.91	1.3	.79	.69
16	.81	10	6.6	.90	2.6	14	9.5	1.5	.90	1.3	.79	.69
17	.77	9.8	6.0	.90	2.2	11	8.5	1.5	.86	1.2	.79	.69
18	.72	8.9	5.5	.90	2.1	11	7.9	1.3	.71	1.1	.79	.69
19	.72	8.1	5.4	.90	1.9	9.6	7.3	1.3	.69	1.1	.79	.69
20	.72	7.4	5.2	22	1.8	30	6.6	1.3	.69	1.1	.79	.69
21	.72	6.8	4.8	14	1.5	12	6.2	1.3	.63	.99	.79	.69
22	.72	6.6	4.4	10	1.3	11	5.9	1.3	.60	.90	.79	.69
23	.80	6.0	4.3	8.3	1.2	9.7	5.4	1.2	.56	.90	.78	.69
24	.80	5.8	3.7	7.0	1.1	8.5	4.8	1.1	.52	.90	.75	.69
25	.73	5.4	3.7	79	1.1	113	4.5	1.1	.51	.90	.69	.69
26	.73	4.8	3.4	123	.95	17	4.1	1.1	.45	.90	.69	.68
27	.88	4.7	3.2	27	.90	11	3.7	1.1	.45	.90	.69	.66
28	.90	98	3.2	12	.89	9.8	3.6	1.1	.42	.90	.69	.60
29	.90	19	3.1	11	-----	8.5	3.2	1.1	.36	.90	.69	.60
30	.90	16	2.8	9.7	-----	7.7	2.8	1.1	.36	.90	.69	.60
31	.90	-----	2.8	110	-----	6.8	-----	1.1	-----	.90	.69	-----
TOTAL	25.21	574.54	419.0	454.71	190.24	446.1	839.3	50.6	232.42	22.28	24.33	20.39
MEAN	.81	19.2	13.5	14.7	6.79	14.4	28.0	1.63	7.75	.72	.78	.68
MAX	.90	245	130	123	61	124	384	2.8	113	1.3	.90	.69
MIN	.72	.84	2.8	.90	.89	1.8	2.8	1.1	.36	.18	.69	.60
AC-FT	50	1,140	831	902	377	885	1,660	100	461	44	48	40
CAL YEAR 1998	TOTAL	1,018.75	MEAN	11.1	MAX	245	MIN	.72	AC-FT	2,020		
WTR YEAR 1999	TOTAL	3,299.12	MEAN	9.04	MAX	384	MIN	.18	AC-FT	6,540		

AS OF 10/07/99

# RUNOFF – DAILY DISCHARGE

WESTERN HYDROLOGIC SYSTEMS - (916) 885-2480

F354-R COYOTE CREEK BELOW SPRING STREET

DAILY DISCHARGE IN CUBIC FEET PER SECOND WATER YEAR OCT 1998 TO SEP 1999

Day	OCT	NOV	DEC	JAN	FEB	MAR	APR	MAY	JUN	JUL	AUG	SEP
1	22	16	145	42	31	18	45	14	36	5.8	7.3	8.5
2	22	13	47	41	15	50	3.0	14	180	6.4	8.1	8.4
3	21	13	11	42	15	30	3.5	17	47	7.8	8.3	10
4	22	11	33	46	109	64	4.8	21	19	8.4	8.2	12
5	24	13	68	45	138	47	9.1	29	13	7.9	7.6	10
6	24	16	209	49	32	47	142	34	11	6.7	9.0	11
7	20	16	19	55	15	50	134	36	10	7.2	7.3	11
8	19	748	12	53	15	54	5.3	45	10	61	6.9	8.4
9	14	22	13	51	124	82	3.7	49	11	17	9.5	12
10	18	7.1	10	56	83	14	8.2	53	13	12	8.4	14
11	19	14	10	56	19	46	359	55	22	12	9.5	10
12	15	7.2	10	66	12	30	152	66	25	9.7	9.5	13
13	13	5.7	10	68	10	29	12	70	19	6.5	9.7	11
14	16	8.2	13	69	11	30	37	70	23	5.6	11	16
15	25	6.9	12	72	11	316	29	73	27	5.7	13	18
16	22	7.6	11	71	14	35	17	80	34	5.3	9.6	20
17	27	8.1	13	70	23	5.5	10	79	41	6.4	9.3	24
18	22	7.6	14	68	21	4.2	6.3	81	44	6.1	12	22
19	17	8.5	79	68	22	4.0	4.2	79	52	6.8	11	22
20	18	10	114	212	26	3.9	4.6	88	40	6.4	11	16
21	18	11	24	42	29	4.2	5.3	85	42	7.8	12	20
22	18	13	19	23	17	4.5	5.4	86	35	6.6	10	14
23	18	15	17	20	13	4.8	6.1	91	21	6.9	9.6	11
24	17	13	18	23	13	4.8	4.8	71	8.1	8.3	12	8.0
25	17	12	18	386	16	335	4.9	62	5.7	7.7	11	9.3
26	17	11	20	458	22	69	6.7	51	5.5	9.2	11	11
27	18	12	23	269	22	29	6.4	52	6.3	7.8	13	14
28	23	333	29	43	20	23	7.4	57	5.3	10	11	11
29	21	48	31	22	-----	23	8.3	36	5.0	11	9.4	12
30	17	21	35	19	-----	30	14	34	6.2	8.1	11	14
31	18	-----	39	232	-----	30	-----	31	-----	9.5	11	-----
TOTAL	602	1,447.9	1,126	2,837	898	1,516.9	1,059.0	1,709	817.1	303.6	307.2	401.6
MEAN	19.4	48.3	36.3	91.5	32.1	48.9	35.3	55.1	27.2	9.79	9.91	13.4
MAX	27	748	209	458	138	335	359	91	180	61	13	24
MIN	13	5.7	10	19	10	3.9	3.0	14	5.0	5.3	6.9	8.0
AC-FT	1,190	2,870	2,230	5,630	1,780	3,010	2,100	3,390	1,620	602	609	797
CAL YEAR 1998	TOTAL*	3,175.9	MEAN	34.5	MAX	748	MIN	5.7	AC-FT	6,300		
WTR YEAR 1999	TOTAL	13,025.3	MEAN	35.7	MAX	748	MIN	3.0	AC-FT	25,840		

\* Incomplete Record Data as of 07/07/99  
MB

# RUNOFF – DAILY DISCHARGE

WESTERN HYDROLOGIC SYSTEMS - (916) 885-2480

F274B-R DALTON WASH @ MERCED AVE.

DAILY DISCHARGE IN CUBIC FEET PER SECOND WATER YEAR OCT 1998 TO SEP 1999

Day	OCT	NOV	DEC	JAN	FEB	MAR	APR	MAY	JUN	JUL	AUG	SEP
1	.94	8.2	18	.27	7.5	3.0	3.8	3.4	5.3	.66	.24	.22
2	4.5	7.8	15	.28	7.6	2.4	7.5	3.1	110	.59	.43	.56
3	6.1	7.7	13	.27	8.0	4.2	6.2	2.4	1.7	.56	.34	.30
4	4.5	7.5	15	.27	62	6.3	6.5	1.3	.93	.49	.28	.30
5	3.2	7.3	15	.29	28	4.4	3.2	1.8	.84	.46	.27	.29
6	.51	13	28	.28	5.5	4.7	45	4.4	.75	.52	.24	.30
7	.50	15	12	.28	6.5	7.5	33	2.0	.69	6.5	.17	.26
8	1.6	101	15	.27	8.4	8.9	16	2.0	.60	37	.16	.18
9	3.8	12	12	.26	63	5.8	8.7	4.3	.58	53	.18	14
10	4.0	8.3	11	.26	9.2	.66	8.3	5.7	1.4	53	.18	37
11	4.6	11	14	.26	7.1	2.5	31	2.5	.71	65	.18	36
12	4.6	8.0	16	.25	7.1	4.8	24	1.8	.66	16	.16	43
13	3.3	7.3	13	.24	5.4	4.3	.55	2.6	.62	.37	.18	16
14	13	7.0	4.9	3.5	6.0	6.1	4.0	1.9	.62	.53	.17	.80
15	5.5	7.2	.80	4.9	5.4	40	5.2	3.7	2.9	.56	.18	4.3
16	.35	6.0	.66	5.7	6.4	.41	2.6	4.3	.51	.56	.18	7.0
17	3.9	5.8	.94	5.7	11	.36	5.0	3.7	.40	.53	.18	.53
18	7.4	7.0	.72	6.3	6.7	2.0	4.6	2.9	.36	.52	.12	.63
19	3.3	6.9	15	6.1	7.5	4.3	3.7	2.4	.32	.53	.67	.54
20	.94	5.8	15	14	5.2	20	4.7	1.0	.32	17	.27	.46
21	1.1	5.1	6.4	8.2	5.7	3.6	5.4	1.3	3.0	44	.23	9.8
22	2.0	6.3	4.8	6.3	5.8	2.3	5.7	5.9	4.9	30	.23	5.4
23	3.7	3.4	.31	6.4	3.9	.70	7.1	8.5	.85	.67	.25	.52
24	3.8	.73	.29	7.3	6.4	1.8	5.3	3.3	.75	.58	.89	.53
25	3.9	3.0	.26	45	7.0	7.8	5.2	3.1	.75	.51	1.5	.44
26	6.3	7.0	.29	127	7.7	7.0	4.1	3.0	.69	.41	.69	.45
27	8.0	7.3	.31	8.8	6.5	5.5	3.8	3.0	.70	.37	.48	.35
28	5.4	99	.31	7.4	5.2	4.5	4.4	2.9	.69	.32	.50	.34
29	6.2	15	.31	6.0	-----	2.6	2.7	2.5	.65	.25	.51	.29
30	6.9	14	.31	6.2	-----	.72	5.9	3.3	1.0	.29	.47	.31
31	3.0	-----	.28	35	-----	.72	-----	3.1	-----	.26	.29	-----
TOTAL	126.84	420.63	248.89	313.28	321.7	169.87	273.15	97.1	144.19	332.04	10.82	181.10
MEAN	4.09	14.0	8.03	10.1	11.5	5.48	9.11	3.13	4.81	10.7	.35	6.04
MAX	13	101	28	127	63	40	45	8.5	110	65	1.5	43
MIN	.35	.73	.26	.24	3.9	.36	.55	1.0	.32	.25	.12	.18
AC-FT	252	834	494	621	638	337	542	193	286	659	21	359
CAL YEAR 1998	TOTAL	796.36	MEAN	8.66	MAX	101	MIN	.26	AC-FT	1,580		
WTR YEAR 1999	TOTAL	2,639.61	MEAN	7.23	MAX	127	MIN	.12	AC-FT	5,240		

11-06-2000 BY SOO KHOO.

# RUNOFF – DAILY DISCHARGE

WESTERN HYDROLOGIC SYSTEMS - (916) 885-2480

F271-R      EATON WASH BELOW EATON DAM

DAILY DISCHARGE IN CUBIC FEET PER SECOND WATER YEAR OCT 1998 TO SEP 1999

Day	OCT	NOV	DEC	JAN	FEB	MAR	APR	MAY	JUN	JUL	AUG	SEP
1	.18	.12	.30	.09	.25	.25	.09	.07	0	0	0	0
2	.18	.11	.29	.09	.24	.23	.10	.07	5.2	0	0	0
3	.18	.10	.30	.09	.24	.21	.11	.03	.14	0	.06	0
4	.18	.09	.29	.09	.24	.21	.11	0	.12	0	0	0
5	.17	.09	.49	.07	.24	.22	.10	5.9	.09	0	0	0
6	.18	.09	.52	.06	.24	.21	.09	8.8	.09	0	0	0
7	.18	.09	.37	.04	.21	.22	.06	8.1	.10	0	0	0
8	.18	.57	.37	.04	.25	.22	.07	4.6	.17	0	0	0
9	.18	.07	.41	.06	.29	.21	.08	.12	0	0	0	0
10	.18	.09	.31	.06	.28	.20	.10	.08	0	0	0	0
11	.18	.10	.26	.04	.28	.22	.10	.09	0	0	0	0
12	.19	.10	.24	.02	.37	.22	.04	.08	0	0	0	0
13	.22	.08	.17	0	.45	.20	0	.06	0	0	0	0
14	.21	.09	.17	0	.47	.19	0	.06	0	0	0	0
15	.18	.09	.25	.01	.47	.15	.02	.06	0	0	0	0
16	.16	.10	2.1	.01	.45	.12	.03	.05	0	0	0	0
17	.15	.10	.03	0	.50	.13	.05	.03	0	0	0	0
18	.13	.06	.06	0	.44	.15	.04	0	0	0	0	0
19	.12	.03	.12	0	.45	.15	.04	0	0	0	0	0
20	.12	.08	.09	.06	.52	.13	.01	0	0	0	0	0
21	.13	.10	.09	0	.58	.15	.03	0	0	0	0	0
22	.13	.10	.09	0	.54	.15	.05	.03	0	0	0	0
23	.12	.09	.09	0	.56	.15	.03	.21	0	0	0	0
24	.12	.10	.09	0	.53	.14	.02	0	0	0	0	0
25	.13	.09	.11	.72	.44	.15	.01	0	0	0	0	0
26	.13	.09	.12	.36	.41	.15	.02	0	0	0	0	0
27	.12	.10	.12	.24	.36	.16	.04	0	0	0	0	0
28	.12	.14	.11	.24	.28	.16	.03	0	0	0	0	0
29	.12	.12	.09	.24	-----	.15	.06	0	0	0	0	0
30	.12	.27	.09	.24	-----	.13	.06	0	0	0	0	0
31	.12	-----	.09	.24	-----	.12	-----	0	-----	0	0	-----
TOTAL	4.81	3.45	8.23	3.11	10.58	5.45	1.59	28.44	5.91	0	0.06	0
MEAN	.16	.12	.27	.10	.38	.18	.053	.92	.20	0	.002	0
MAX	.22	.57	2.1	.72	.58	.25	.11	8.8	5.2	0	.06	0
MIN	.12	.03	.03	0	.21	.12	0	0	0	0	0	0
AC-FT	9.5	6.8	16	6.2	21	11	3.2	56	12	0	.1	0
CAL YEAR 1998	TOTAL	16.49	MEAN	.18	MAX	2.1	MIN	.03	AC-FT	32		
WTR YEAR 1999	TOTAL	71.63	MEAN	.20	MAX	8.8	MIN	0	AC-FT	142		

LEAKAGE IS FROM EATON WASH DAM

# RUNOFF – DAILY DISCHARGE

WESTERN HYDROLOGIC SYSTEMS - (916) 885-2480

F318-R      EATON WASH @ LOFTUS AVE.

DAILY DISCHARGE IN CUBIC FEET PER SECOND WATER YEAR OCT 1998 TO SEP 1999

Day	OCT	NOV	DEC	JAN	FEB	MAR	APR	MAY	JUN	JUL	AUG	SEP
1	.18	.39	2.9	.32	.31	.33	1.8	.37	1.4	.77	.33	.50
2	.27	.33	.30	.34	.43	.27	2.1	.39	92	.43	.37	.36
3	.20	.28	1.5	.97	.23	.29	.24	.88	11	.43	.40	.32
4	.22	.23	.58	.29	1.6	.59	.24	.31	1.9	.31	.41	.32
5	.20	.21	.52	.28	14	.76	.30	.32	1.7	.30	.35	.32
6	.21	.28	9.9	.39	1.8	.30	136	.31	1.7	.27	.31	.33
7	.16	.33	.28	.29	.25	.30	31	.35	1.2	.29	.31	.26
8	.17	45	.21	.28	.32	.23	3.8	.36	.75	.57	.34	.30
9	.21	.30	.26	.30	44	.63	.37	.86	.63	.44	.32	.31
10	.26	.18	.36	.37	.43	.50	.33	.39	.57	.35	.32	.29
11	.25	1.2	.35	.34	.39	.25	66	.31	.56	.38	.35	.33
12	.21	.20	.27	.32	.31	.22	14	.37	.30	.37	.34	.33
13	.23	.18	.27	.33	.36	.27	.37	.35	.32	.42	.31	.32
14	.26	.23	.31	.53	.36	.24	.37	.33	.70	.39	.36	.31
15	.22	.19	.19	.38	.35	66	.39	.37	.69	.32	.39	.27
16	.29	.18	.99	.32	.33	.70	.34	.54	.69	.31	.38	.29
17	.32	.21	1.4	.33	.34	.25	.37	.38	.23	.32	.32	.26
18	.33	.24	1.5	.74	.39	.22	.39	.40	.31	.32	.33	.29
19	.25	.19	1.8	.28	.38	.25	.46	.39	.32	.36	.37	.30
20	.23	.23	1.6	9.2	.37	13	.32	.31	.34	.31	.35	.27
21	.22	.24	1.9	.35	.38	.26	.27	.32	.25	.34	.48	.31
22	.27	.22	1.1	.64	.38	.52	.75	.93	.25	.26	.32	.49
23	.46	.21	.66	.36	.47	.23	6.6	4.6	.32	.27	.96	.47
24	.39	.29	.37	.38	.32	.20	.34	.24	.37	.33	.26	.59
25	.24	.35	.22	39	.27	19	.29	.27	.44	.31	.29	.34
26	.95	.34	.27	91	.26	.40	.33	.25	.40	.33	.27	.35
27	1.2	.35	.26	.91	.35	.25	.34	.29	.39	.28	.32	.38
28	.32	82	.29	.20	.37	.27	.32	.73	.37	.28	.33	.28
29	.31	.35	.52	.18	-----	.30	.32	.37	.40	.30	.35	.29
30	.31	.76	.41	.23	-----	.38	.58	.36	.47	.32	.35	.31
31	.34	-----	.35	59	-----	.67	-----	.33	-----	.35	.37	-----
TOTAL	9.68	135.69	31.84	208.85	69.75	108.08	269.33	16.98	120.97	11.03	11.26	10.09
MEAN	.31	4.52	1.03	6.74	2.49	3.49	8.98	.55	4.03	.36	.36	.34
MAX	1.2	82	9.9	91	44	66	136	4.6	92	.77	.96	.59
MIN	.16	.18	.19	.18	.23	.20	.24	.24	.23	.26	.26	.26
AC-FT	19	269	63	414	138	214	534	34	240	22	22	20
CAL YEAR 1998	TOTAL	177.21	MEAN	1.93	MAX	82	MIN	.16	AC-FT	351		
WTR YEAR 1999	TOTAL	1,003.55	MEAN	2.75	MAX	136	MIN	.16	AC-FT	1,990		

AS OF 10/07/99



# RUNOFF – DAILY DISCHARGE

WESTERN HYDROLOGIC SYSTEMS - (916) 885-2480

U7-R FISH CREEK

DAILY DISCHARGE IN CUBIC FEET PER SECOND WATER YEAR OCT 1998 TO SEP 1999

Day	OCT	NOV	DEC	JAN	FEB	MAR	APR	MAY	JUN	JUL	AUG	SEP
1	1.9	1.9	1.9	1.9	1.6	1.7	1.9	1.6	1.3	.33	.15	.13
2	1.9	1.9	1.9	1.9	1.6	1.7	1.9	1.6	1.3	.32	.15	.13
3	1.9	1.9	1.9	1.9	1.6	1.7	1.9	1.5	1.2	.28	.15	.13
4	1.9	1.9	1.9	1.9	1.6	1.7	1.9	1.5	1.2	.28	.15	.13
5	1.9	1.9	1.9	1.9	1.6	1.7	1.9	1.5	1.2	.25	.15	.13
6	1.9	1.9	1.9	1.8	1.6	1.7	1.9	1.5	1.2	.23	.15	.13
7	1.9	1.9	1.9	1.6	1.7	1.7	1.9	1.5	1.2	.22	.15	.13
8	1.9	1.9	1.9	1.6	1.7	1.7	1.9	1.5	1.2	.22	.15	.13
9	1.9	1.9	1.9	1.6	1.7	1.7	1.9	1.5	1.2	.22	.15	.13
10	1.9	1.9	1.9	1.6	1.7	1.7	1.9	1.5	1.2	.22	.15	.13
11	1.9	1.9	1.9	1.6	1.7	1.7	1.9	1.4	1.1	.23	.15	.13
12	1.9	1.9	1.9	1.6	1.7	1.7	1.9	1.4	1.1	.25	.15	.13
13	1.9	1.9	1.9	1.6	1.7	1.7	1.9	1.4	1.1	.26	.15	.14
14	1.9	1.9	1.9	1.6	1.7	1.7	1.9	1.4	1.0	.27	.15	.15
15	1.9	1.9	1.9	1.6	1.7	1.7	1.9	1.4	1.0	.25	.15	.15
16	1.9	1.9	1.9	1.6	1.7	1.7	1.9	1.4	.97	.26	.15	.15
17	1.9	1.9	1.9	1.6	1.7	1.8	1.9	1.4	.94	.25	.14	.15
18	1.9	1.9	1.9	1.6	1.7	1.8	1.9	1.4	.94	.25	.13	.15
19	1.9	1.9	1.9	1.6	1.7	1.8	1.8	1.4	.88	.24	.13	.15
20	1.9	1.9	1.9	1.6	1.7	1.8	1.9	1.4	.87	.27	.13	.15
21	1.9	1.9	1.9	1.6	1.7	1.8	1.8	1.4	.87	.28	.13	.15
22	1.9	1.9	1.9	1.6	1.7	1.8	1.8	1.4	.80	.28	.13	.15
23	1.9	1.9	1.9	1.6	1.7	1.8	1.8	1.3	.80	.28	.13	.15
24	1.9	1.9	1.9	1.6	1.7	1.8	1.8	1.3	.79	.23	.13	.15
25	1.9	1.9	1.9	1.6	1.7	1.8	1.7	1.3	.74	.13	.13	.15
26	1.9	1.9	1.9	1.6	1.7	1.8	1.7	1.3	.74	.12	.13	.15
27	1.9	1.9	1.9	1.6	1.7	1.8	1.7	1.3	.72	.12	.13	.15
28	1.9	1.9	1.9	1.6	1.7	1.8	1.7	1.3	.68	.13	.13	.15
29	1.9	1.9	1.9	1.6	-----	1.8	1.6	1.3	.68	.15	.13	.15
30	1.9	1.9	1.9	1.6	-----	1.8	1.6	1.3	.63	.15	.13	.15
31	1.9	-----	1.9	1.6	-----	1.9	-----	1.3	-----	.15	.13	-----
TOTAL	58.9	57.0	58.9	51.3	47.0	54.3	55.1	43.7	29.55	7.12	4.36	4.25
MEAN	1.90	1.90	1.90	1.65	1.68	1.75	1.84	1.41	.99	.23	.14	.14
MAX	1.9	1.9	1.9	1.9	1.7	1.9	1.9	1.6	1.3	.33	.15	.15
MIN	1.9	1.9	1.9	1.6	1.6	1.7	1.6	1.3	.63	.12	.13	.13
AC-FT	117	113	117	102	93	108	109	87	59	14	8.6	8.4
CAL YEAR 1998	TOTAL*	174.80	MEAN	1.90	MAX	1.9	MIN	1.9	AC-FT	347		
WTR YEAR 1999	TOTAL	471.48	MEAN	1.29	MAX	1.9	MIN	.12	AC-FT	935		

\* Incomplete Record FISH CREEK @ U-7R STATION OF AXSYS RECORDER DATA AS OF 10-21-99 BY SOO KHOO.

# RUNOFF – DAILY DISCHARGE

WESTERN HYDROLOGIC SYSTEMS - (916) 885-2480

F251-R LEAKAGE @ TOE OF COGSWELL DAM

DAILY DISCHARGE IN CUBIC FEET PER SECOND WATER YEAR OCT 1998 TO SEP 1999

Day	OCT	NOV	DEC	JAN	FEB	MAR	APR	MAY	JUN	JUL	AUG	SEP
1	22	19	16	10	10	8.9	7.9	9.4	6.4	5.1	5.0	4.7
2	22	19	16	10	9.7	8.9	7.9	9.5	6.7	5.0	5.1	4.7
3	22	19	16	9.8	9.4	8.9	7.9	9.5	6.6	4.9	5.1	4.7
4	22	18	16	9.8	9.3	8.7	7.9	9.6	6.5	4.9	5.4	4.5
5	21	18	16	9.8	9.4	8.6	7.9	9.4	6.3	4.8	5.4	4.4
6	21	18	16	9.6	9.4	8.6	8.6	9.3	6.2	4.8	5.4	4.3
7	21	18	15	9.6	9.3	8.8	9.1	9.2	6.2	4.8	5.4	4.2
8	21	19	15	9.6	9.2	8.8	8.5	9.1	6.2	4.7	5.4	4.0
9	21	18	15	9.6	9.7	8.8	8.5	9.0	6.2	4.7	5.4	4.0
10	21	18	15	9.3	9.9	8.8	8.3	8.9	6.2	4.5	5.4	4.0
11	21	18	15	9.2	9.4	8.8	8.7	8.8	6.2	4.5	5.4	4.0
12	21	18	15	9.4	9.3	8.8	10	8.8	6.1	4.5	5.3	4.1
13	21	18	15	9.6	9.3	8.8	8.8	8.7	6.1	4.4	5.3	4.1
14	21	18	15	9.6	9.3	8.8	8.2	8.4	6.0	4.4	5.3	4.0
15	21	17	15	9.6	9.3	9.5	8.2	8.3	6.0	4.4	5.3	3.9
16	21	17	15	9.7	9.3	9.4	8.2	8.3	6.0	4.5	5.2	3.4
17	21	17	12	9.8	9.3	9.0	8.3	8.1	5.9	4.5	5.2	2.8
18	21	17	11	9.8	9.1	8.8	8.4	7.9	5.9	4.6	5.2	2.3
19	21	17	11	9.8	8.9	8.5	8.4	7.7	5.7	4.7	5.2	1.8
20	21	17	11	9.8	8.9	8.5	8.6	7.5	5.6	4.7	5.2	1.5
21	21	17	11	9.7	8.9	8.5	8.6	7.3	5.6	4.7	5.1	1.4
22	20	17	11	9.6	8.9	8.3	8.7	7.3	5.6	4.8	5.0	1.4
23	20	17	11	9.6	8.8	8.3	8.8	7.2	5.5	4.6	5.0	1.4
24	20	16	11	9.8	8.8	8.3	8.9	7.1	5.5	4.6	5.0	1.4
25	18	16	11	10	8.9	8.5	8.9	6.9	5.4	4.6	4.9	1.3
26	19	16	11	11	8.9	8.5	9.1	6.8	5.2	4.7	4.9	1.3
27	19	16	11	11	8.9	8.1	9.1	6.7	5.2	4.8	4.9	1.3
28	19	17	11	10	8.9	7.9	9.3	6.6	5.2	4.9	4.8	1.3
29	19	16	11	9.7	-----	7.9	9.3	6.5	5.1	4.9	4.7	1.3
30	19	16	10	9.6	-----	7.9	9.5	6.5	5.1	4.9	4.7	1.4
31	19	-----	10	10	-----	7.9	-----	6.4	-----	5.0	4.7	-----
TOTAL	637	522	410	303.4	258.4	266.8	258.5	250.7	176.4	145.9	159.3	88.9
MEAN	20.5	17.4	13.2	9.79	9.23	8.61	8.62	8.09	5.88	4.71	5.14	2.96
MAX	22	19	16	11	10	9.5	10	9.6	6.7	5.1	5.4	4.7
MIN	18	16	10	9.2	8.8	7.9	7.9	6.4	5.1	4.4	4.7	1.3
AC-FT	1,260	1,040	813	602	513	529	513	497	350	289	316	176
CAL YEAR 1998	TOTAL	1,569.0	MEAN	17.1	MAX	22	MIN	10	AC-FT	3,110		
WTR YEAR 1999	TOTAL	3,477.3	MEAN	9.53	MAX	22	MIN	1.3	AC-FT	6,900		

LEAKAGE @ TOE OF COGSWELL DAM STATION F-251R AXSYS RECORDER DATA AS OF 10-27-99  
BY SOO KHOO.

# RUNOFF – DAILY DISCHARGE

WESTERN HYDROLOGIC SYSTEMS - (916) 885-2480

L1-R

LITTLE ROCK CK. ABOVE LITTLE ROCK DAM

DAILY DISCHARGE IN CUBIC FEET PER SECOND WATER YEAR OCT 1998 TO SEP 1999

Day	OCT	NOV	DEC	JAN	FEB	MAR	APR	MAY	JUN	JUL	AUG	SEP
1	2.3	2.9	4.6	3.8	5.8	5.9	6.9	9.2	3.0	.04	0	0
2	2.2	3.1	4.8	3.8	5.8	5.4	6.0	8.4	3.2	.07	0	0
3	2.0	3.2	5.6	3.9	6.0	4.8	6.2	8.2	3.1	.12	0	0
4	1.9	3.4	5.9	3.9	6.2	4.7	6.9	7.9	3.1	.18	0	0
5	1.8	3.5	6.2	3.9	6.3	4.5	7.1	7.8	3.0	.21	0	0
6	2.0	3.6	6.5	3.7	6.1	4.4	6.5	7.7	3.0	.59	0	0
7	1.9	3.7	6.7	3.7	6.1	4.1	7.3	7.6	2.8	.05	0	0
8	1.7	4.0	7.0	3.6	6.2	4.0	7.3	7.1	2.7	0	0	0
9	1.6	4.3	7.0	3.6	6.5	4.3	7.6	6.7	2.6	0	0	0
10	1.6	4.4	6.9	3.6	15	4.3	7.7	6.3	2.3	0	0	0
11	1.5	4.4	6.7	3.8	8.4	4.3	8.1	6.1	2.0	.31	0	0
12	1.4	4.5	6.5	3.7	6.6	4.4	8.5	5.6	1.8	0	0	0
13	1.2	4.5	6.3	3.7	5.8	4.5	8.8	5.4	1.5	0	0	0
14	1.3	4.4	6.1	3.6	5.5	4.9	12	5.0	1.3	0	0	0
15	1.4	4.4	5.8	3.6	5.7	4.8	23	4.8	.99	0	0	0
16	1.5	4.5	5.6	3.6	6.0	4.6	20	4.4	.79	0	0	0
17	1.6	4.5	5.4	3.4	6.1	4.9	19	4.1	.66	0	0	0
18	1.6	4.4	5.2	3.2	6.1	5.3	18	4.0	.60	0	0	0
19	1.6	4.6	5.0	3.2	6.0	5.2	18	4.0	.52	0	0	0
20	1.7	4.3	4.8	3.1	6.2	5.5	16	3.9	.40	0	0	0
21	2.0	4.3	4.6	3.2	5.9	6.3	15	3.9	.34	0	0	0
22	2.1	4.2	4.4	3.4	6.2	6.8	13	3.8	.26	0	0	0
23	2.3	4.3	4.2	3.7	6.2	7.0	12	3.8	.26	0	0	0
24	2.5	4.3	4.0	4.1	6.5	6.9	12	3.8	.17	0	0	0
25	2.6	4.3	3.8	4.3	6.0	6.6	12	3.6	.07	0	0	0
26	2.8	4.4	3.7	4.6	6.4	7.0	11	3.6	.08	0	0	0
27	2.9	4.4	3.5	5.2	6.2	6.9	11	3.4	.13	0	0	0
28	2.9	4.7	3.4	5.5	5.9	7.2	10	3.3	.19	0	0	0
29	3.1	5.3	3.4	5.8	-----	7.8	9.9	3.0	.12	0	0	0
30	3.2	4.7	3.8	5.9	-----	7.4	9.6	3.2	.15	0	0	0
31	2.8	-----	3.9	5.8	-----	7.2	-----	3.2	-----	0	0	-----
TOTAL	63.0	125.5	161.3	123.9	181.7	171.9	336.4	162.8	41.13	1.57	0	0
MEAN	2.03	4.18	5.20	4.00	6.49	5.55	11.2	5.25	1.37	.051	0	0
MAX	3.2	5.3	7.0	5.9	15	7.8	23	9.2	3.2	.59	0	0
MIN	1.2	2.9	3.4	3.1	5.5	4.0	6.0	3.0	.07	0	0	0
AC-FT	125	249	320	246	360	341	667	323	82	3.1	0	0
CAL YEAR 1998	TOTAL*	349.80	MEAN	3.80	MAX	7.0	MIN	1.2	AC-FT	694		
WTR YEAR 1999	TOTAL	1,369.20	MEAN	3.75	MAX	23	MIN	0	AC-FT	2,720		

\* Incomplete Record  
AS OF 01/12/99. K.S.

# RUNOFF – DAILY DISCHARGE

WESTERN HYDROLOGIC SYSTEMS - (916) 885-2480

F356-R LIVE OAK CREEK BELOW LIVE OAK DAM

DAILY DISCHARGE IN CUBIC FEET PER SECOND WATER YEAR OCT 1998 TO SEP 1999

Day	OCT	NOV	DEC	JAN	FEB	MAR	APR	MAY	JUN	JUL	AUG	SEP
1	0	0	0	0	0	0	0	0	0	.86	.26	0
2	0	0	0	0	0	0	0	0	.01	.40	.22	0
3	0	0	.01	0	0	0	0	0	0	.39	.21	0
4	0	0	.13	0	.08	0	0	0	0	.39	.20	0
5	0	0	.13	0	.20	0	0	0	0	.36	.21	0
6	0	0	.12	0	.09	0	0	.01	.01	.31	.23	0
7	.03	0	.12	0	0	0	.08	0	0	.30	.22	0
8	0	0	.97	0	0	0	.04	0	0	.31	.21	0
9	0	0	.26	0	.10	0	.02	0	0	.29	.20	0
10	0	0	.26	0	.14	0	0	0	0	.26	.20	0
11	0	0	.26	0	.11	0	.05	.08	0	.26	.19	0
12	0	0	.26	0	0	0	.08	0	0	.26	.18	0
13	0	0	.18	0	0	0	0	0	0	.20	.12	0
14	0	0	.13	0	0	0	0	0	0	.19	.10	0
15	0	0	.13	0	0	.07	0	0	0	.07	.08	0
16	0	0	.13	0	0	.05	0	0	.04	0	.05	0
17	0	0	0	0	0	0	0	0	.05	.05	.04	0
18	0	0	0	0	0	0	.02	0	.03	0	0	0
19	0	0	0	0	0	0	.02	0	.03	.08	0	0
20	0	0	.20	0	0	0	0	0	.03	.26	0	0
21	0	0	.13	0	0	0	.10	0	3.4	.26	0	0
22	0	0	0	0	0	0	.08	0	5.0	.26	0	0
23	0	0	.06	0	0	0	.12	0	2.9	.26	0	0
24	0	0	.21	0	0	0	.09	0	.01	.26	0	0
25	0	0	.13	.24	0	0	.03	0	0	.26	0	0
26	0	0	.12	.13	0	0	.09	0	0	.26	0	0
27	0	0	0	.14	0	0	.13	0	0	.26	0	0
28	0	0	0	.12	0	0	.13	0	6.4	.26	0	0
29	0	0	0	0	-----	0	.11	0	9.0	.26	0	0
30	0	0	0	0	-----	0	.04	0	7.7	.25	0	0
31	0	-----	0	.08	-----	0	-----	0	-----	.26	0	-----
TOTAL	0.03	0	3.94	0.71	0.72	0.12	1.23	0.09	34.61	8.09	2.92	0
MEAN	.001	0	.13	.023	.026	.004	.041	.003	1.15	.26	.094	0
MAX	.03	0	.97	.24	.20	.07	.13	.08	9.0	.86	.26	0
MIN	0	0	0	0	0	0	0	0	0	0	0	0
AC-FT	.06	0	7.8	1.4	1.4	.2	2.4	.2	69	16	5.8	0
CAL YEAR 1998	TOTAL	3.97	MEAN	.043	MAX	.97	MIN	0	AC-FT	7.9		
WTR YEAR 1999	TOTAL	52.46	MEAN	.14	MAX	9.0	MIN	0	AC-FT	104		

**RUNOFF – DAILY DISCHARGE**

WESTERN HYDROLOGIC SYSTEMS - (916) 885-2480

F319-R LOS ANGELES RIVER BELOW WARDLOW

DAILY DISCHARGE IN CUBIC FEET PER SECOND WATER YEAR OCT 1998 TO SEP 1999

Day            OCT        NOV        DEC        JAN        FEB        MAR        APR        MAY        JUN        JUL        AUG        SEP

---

Station Was Under Construction From April 1998 to July 2000

## RUNOFF – DAILY DISCHARGE

WESTERN HYDROLOGIC SYSTEMS - (916) 885-2480

F300-R LOS ANGELES RIVER @ TUJUNGA AVE.

DAILY DISCHARGE IN CUBIC FEET PER SECOND WATER YEAR OCT 1998 TO SEP 1999

Day	OCT	NOV	DEC	JAN	FEB	MAR	APR	MAY	JUN	JUL	AUG	SEP
1	54	54	199	55	56	44	53	52	44	51	64	67
2	57	58	81	55	50	44	154	46	343	48	64	65
3	60	56	69	51	44	44	54	51	190	49	62	67
4	57	53	76	53	51	48	49	56	67	44	66	69
5	53	46	85	56	119	44	49	50	50	45	65	65
6	49	75	271	56	52	45	821	38	51	48	67	67
7	54	71	59	53	47	44	842	47	48	46	68	82
8	54	743	55	56	61	42	72	52	44	45	68	80
9	52	72	53	59	511	95	78	48	44	52	67	75
10	57	59	53	59	82	48	55	49	44	66	63	82
11	55	119	55	56	52	64	1,200	48	47	62	64	83
12	55	54	59	51	54	50	526	51	47	67	69	76
13	54	39	53	51	51	51	69	46	44	64	68	79
14	54	57	51	50	46	49	62	44	43	69	64	101
15	51	54	55	51	45	791	55	45	42	68	62	84
16	41	54	55	55	46	62	55	43	46	73	64	87
17	54	49	56	52	43	49	53	43	40	72	65	84
18	55	48	55	53	45	46	50	46	46	68	68	83
19	55	51	60	54	43	46	50	50	44	68	66	82
20	52	55	53	107	48	533	54	36	45	66	72	83
21	51	64	52	53	41	52	61	52	46	70	69	132
22	48	51	53	52	38	50	50	53	44	69	77	83
23	62	43	54	57	38	46	121	48	42	69	77	57
24	65	62	55	62	40	46	67	45	44	71	71	76
25	64	56	59	517	39	992	52	46	47	64	68	79
26	60	60	56	603	42	89	55	48	46	70	76	71
27	57	58	54	132	48	56	53	50	46	67	71	73
28	59	838	57	58	43	49	56	46	46	57	71	50
29	100	69	57	54	-----	49	52	45	44	61	68	72
30	154	62	55	55	-----	50	50	42	45	67	65	51
31	78	-----	54	792	-----	48	-----	43	-----	67	67	-----
TOTAL	1,871	3,230	2,159	3,568	1,875	3,766	5,018	1,459	1,819	1,903	2,096	2,305
MEAN	60.4	108	69.6	115	67.0	121	167	47.1	60.6	61.4	67.6	76.8
MAX	154	838	271	792	511	992	1,200	56	343	73	77	132
MIN	41	39	51	50	38	42	49	36	40	44	62	50
AC-FT	3,710	6,410	4,280	7,080	3,720	7,470	9,950	2,890	3,610	3,770	4,160	4,570
CAL YEAR 1998	TOTAL	7,260	MEAN	78.9	MAX	838	MIN	39	AC-FT	14,400		
WTR YEAR 1999	TOTAL	31,069	MEAN	85.1	MAX	1,200	MIN	36	AC-FT	61,620		

BY SOO KHOO.

# RUNOFF – DAILY DISCHARGE

WESTERN HYDROLOGIC SYSTEMS - (916) 885-2480

F57C-R LOS ANGELES RIVER ABOVE ARROYO SECO

DAILY DISCHARGE IN CUBIC FEET PER SECOND WATER YEAR OCT 1998 TO SEP 1999

Day	OCT	NOV	DEC	JAN	FEB	MAR	APR	MAY	JUN	JUL	AUG	SEP
1	111	113	327	112	102	108	157	136	106	133	92	96
2	113	113	135	115	97	111	264	131	946	132	96	91
3	118	113	110	113	91	113	138	134	323	128	95	92
4	110	112	109	115	98	121	123	137	175	119	98	92
5	107	105	121	119	202	119	125	143	102	117	100	90
6	95	126	406	120	96	121	1,510	124	104	113	101	85
7	100	121	103	120	95	121	1,470	133	104	103	104	95
8	103	972	100	122	103	122	140	137	100	95	103	98
9	99	113	98	122	810	227	134	135	101	89	103	94
10	108	102	97	124	153	131	112	137	104	95	101	96
11	104	178	100	126	94	136	1,380	138	109	99	103	102
12	107	103	101	122	97	136	1,040	142	111	96	106	96
13	105	88	100	125	95	136	126	138	112	95	109	98
14	104	101	100	126	92	143	113	135	111	97	109	102
15	103	101	101	126	91	1,330	111	136	113	100	108	104
16	92	102	102	131	96	124	111	130	110	104	109	105
17	102	99	105	131	98	106	113	127	109	107	106	105
18	103	99	104	132	96	106	113	125	122	104	107	104
19	105	101	109	136	94	104	119	127	124	101	108	97
20	101	103	107	319	99	890	126	113	126	102	107	98
21	101	110	105	121	95	112	139	122	134	100	108	121
22	92	108	107	116	94	106	133	122	135	98	114	98
23	107	95	107	120	93	101	184	128	131	99	112	101
24	115	110	106	125	97	104	195	112	133	94	104	93
25	113	114	109	1,080	97	1,340	130	111	140	94	100	98
26	108	114	109	1,010	101	185	136	112	138	97	104	93
27	102	111	109	283	106	115	137	111	136	96	102	96
28	106	1,520	110	109	105	110	136	110	131	92	102	85
29	126	121	111	104	-----	115	137	109	128	90	101	99
30	302	107	111	104	-----	116	138	105	125	91	97	93
31	136	-----	112	1,240	-----	121	-----	106	-----	94	96	-----
TOTAL	3,498	5,575	3,831	7,068	3,587	7,030	8,990	3,906	4,643	3,174	3,205	2,917
MEAN	113	186	124	228	128	227	300	126	155	102	103	97.2
MAX	302	1,520	406	1,240	810	1,340	1,510	143	946	133	114	121
MIN	92	88	97	104	91	101	111	105	100	89	92	85
AC-FT	6,940	11,060	7,600	14,020	7,110	13,940	17,830	7,750	9,210	6,300	6,360	5,790
CAL YEAR 1998	TOTAL	12,904	MEAN	140	MAX	1,520	MIN	88	AC-FT	25,600		
WTR YEAR 1999	TOTAL	57,424	MEAN	157	MAX	1,520	MIN	85	AC-FT	113,900		

## RUNOFF – DAILY DISCHARGE

WESTERN HYDROLOGIC SYSTEMS - (916) 885-2480

F34D-R LOS ANGELES RIVER BELOW FIRESTONE

DAILY DISCHARGE IN CUBIC FEET PER SECOND WATER YEAR OCT 1998 TO SEP 1999

Day	OCT	NOV	DEC	JAN	FEB	MAR	APR	MAY	JUN	JUL	AUG	SEP
1	130	377	484	125	335	98	109	161	98	94	124	148
2	127	220	502	123	165	98	217	159	1,580	98	123	153
3	124	186	254	121	145	100	279	155	515	98	123	154
4	121	167	202	121	134	104	123	155	219	100	122	154
5	120	158	202	121	221	108	114	155	105	96	125	157
6	119	151	663	121	194	108	2,050	143	95	98	126	158
7	119	147	274	121	143	108	1,800	130	94	98	129	156
8	119	4,100	211	122	130	111	298	131	96	98	128	184
9	119	1,210	204	124	1,010	217	287	133	96	98	130	183
10	117	384	186	124	490	228	127	129	101	101	133	179
11	116	882	174	124	184	125	2,500	131	109	107	133	187
12	116	808	165	124	155	123	1,990	135	117	116	135	186
13	116	204	161	136	148	115	296	133	119	113	139	178
14	116	153	159	145	133	111	129	127	119	113	141	176
15	116	138	152	145	120	1,960	117	122	124	118	141	168
16	114	152	146	145	116	302	114	117	131	121	140	160
17	113	435	145	148	113	125	113	114	122	130	137	156
18	113	576	145	148	113	111	113	108	122	131	138	153
19	113	505	141	148	111	104	114	105	127	124	139	150
20	113	396	142	545	109	939	118	96	123	121	139	141
21	111	205	139	365	108	224	133	94	117	120	142	138
22	111	208	138	206	108	116	142	104	113	117	146	147
23	111	207	136	186	104	108	146	130	97	116	157	124
24	111	199	136	176	101	104	366	111	88	118	156	119
25	111	200	134	1,640	101	1,900	174	98	90	119	149	117
26	111	203	133	1,630	99	422	158	98	94	119	146	118
27	109	205	131	644	98	139	163	98	93	127	152	120
28	108	2,890	130	239	98	113	167	98	95	124	149	118
29	108	935	127	165	-----	108	167	98	93	120	149	117
30	1,780	594	127	149	-----	107	167	98	93	118	150	124
31	882	-----	127	2,160	-----	106	-----	98	-----	123	148	-----
TOTAL	6,014	17,195	6,170	10,591	5,086	8,742	12,791	3,764	5,185	3,494	4,289	4,523
MEAN	194	573	199	342	182	282	426	121	173	113	138	151
MAX	1,780	4,100	663	2,160	1,010	1,960	2,500	161	1,580	131	157	187
MIN	108	138	127	121	98	98	109	94	88	94	122	117
AC-FT	11,930	34,110	12,240	21,010	10,090	17,340	25,370	7,470	10,280	6,930	8,510	8,970
CAL YEAR 1998	TOTAL	29,379	MEAN	319	MAX	4,100	MIN	108	AC-FT	58,280		
WTR YEAR 1999	TOTAL	87,844	MEAN	241	MAX	4,100	MIN	88	AC-FT	174,300		

AS OF 10/07/99



# RUNOFF – DAILY DISCHARGE

WESTERN HYDROLOGIC SYSTEMS - (916) 885-2480

F130-R MALIBU CREEK BELOW COLD CREEK

DAILY DISCHARGE IN CUBIC FEET PER SECOND WATER YEAR OCT 1998 TO SEP 1999

Day	OCT	NOV	DEC	JAN	FEB	MAR	APR	MAY	JUN	JUL	AUG	SEP
1	6.1	6.2	16	10	27	11	10	7.6	6.1	5.1	3.2	3.0
2	6.9	5.2	20	12	17	12	10	10	11	4.9	3.2	3.0
3	8.7	6.5	14	12	14	9.4	10	7.2	12	4.8	3.1	3.1
4	9.0	4.2	12	13	14	9.2	9.8	8.8	9.4	4.8	3.1	3.0
5	7.6	4.6	18	11	20	9.1	11	8.7	8.4	4.8	3.2	3.0
6	4.2	4.9	17	11	18	9.6	19	7.6	9.1	4.6	3.3	3.0
7	3.8	6.6	15	10	15	9.6	22	9.7	9.0	4.6	3.3	3.1
8	5.7	14	14	9.1	14	9.9	14	13	8.4	4.5	3.3	3.0
9	5.3	11	11	12	33	9.6	12	9.8	7.6	4.6	3.3	2.9
10	5.8	8.8	10	12	40	13	11	17	7.0	4.6	3.4	3.1
11	6.7	9.8	7.7	11	19	11	120	7.0	6.6	4.3	3.4	3.3
12	6.1	11	9.8	11	16	14	134	6.0	6.4	4.3	3.4	3.4
13	5.6	11	11	11	14	12	24	5.7	6.3	4.1	3.4	3.5
14	11	10	9.5	12	13	12	14	5.6	6.0	4.1	3.3	3.5
15	4.4	8.7	8.5	11	12	57	11	5.5	5.8	4.1	3.2	3.6
16	4.2	8.4	8.2	12	10	27	11	6.3	5.6	4.3	3.0	3.7
17	5.0	8.2	8.0	14	9.8	15	9.5	8.4	5.7	4.2	2.8	3.6
18	10	8.9	9.6	14	11	13	8.5	8.2	6.1	3.8	2.8	3.6
19	3.7	8.2	10	11	12	12	8.1	7.6	5.4	3.9	2.9	3.7
20	3.6	6.4	11	15	13	35	6.5	7.3	5.2	4.0	3.0	3.6
21	11	5.0	11	16	14	19	7.3	7.2	5.2	4.2	3.0	3.6
22	3.5	8.1	10	14	13	14	9.4	7.2	5.2	4.0	3.0	4.1
23	3.3	8.5	9.2	13	11	15	9.4	7.2	5.2	3.8	3.0	4.3
24	6.9	6.4	10	15	9.4	17	8.9	7.1	5.5	3.6	3.0	4.5
25	15	8.3	9.7	36	12	87	7.9	6.8	5.6	3.4	3.0	4.5
26	8.2	9.0	11	34	13	61	8.5	6.6	5.4	3.3	2.9	4.3
27	4.6	7.9	10	41	13	20	8.3	6.5	5.2	3.4	3.0	4.4
28	11	65	9.9	19	12	15	8.2	6.4	5.0	3.4	2.8	4.2
29	3.3	22	9.9	17	-----	13	8.4	6.5	4.9	3.4	2.9	4.0
30	3.1	14	9.8	15	-----	12	8.1	6.5	5.0	3.3	3.0	3.5
31	8.1	-----	10	57	-----	10	-----	6.3	-----	3.3	3.1	-----
TOTAL	201.4	316.8	350.8	511.1	439.2	593.4	559.8	241.3	199.3	127.5	96.3	107.1
MEAN	6.50	10.6	11.3	16.5	15.7	19.1	18.7	7.78	6.64	4.11	3.11	3.57
MAX	15	65	20	57	40	87	134	17	12	5.1	3.4	4.5
MIN	3.1	4.2	7.7	9.1	9.4	9.1	6.5	5.5	4.9	3.3	2.8	2.9
AC-FT	399	628	696	1,010	871	1,180	1,110	479	395	253	191	212
CAL YEAR 1998	TOTAL	869.0	MEAN	9.45	MAX	65	MIN	3.1	AC-FT	1,720		
WTR YEAR 1999	TOTAL	3,744.0	MEAN	10.3	MAX	134	MIN	2.8	AC-FT	7,420		

As of 10/07/97.E.E.

# RUNOFF – DAILY DISCHARGE

WESTERN HYDROLOGIC SYSTEMS - (916) 885-2480

F395-R Mescal Creek at Mouth of Canyon

DAILY DISCHARGE IN CUBIC FEET PER SECOND WATER YEAR OCT 1998 TO SEP 1999

Day	OCT	NOV	DEC	JAN	FEB	MAR	APR	MAY	JUN	JUL	AUG	SEP
1	.44	.37	.04	0	.10	.25	.25	.20	.05	0	0	0
2	.38	.39	.01	0	.09	.14	.28	.31	.35	0	0	0
3	.35	.41	0	0	.08	.15	.25	.41	.13	0	0	0
4	.28	.43	.01	.01	.06	.16	.23	.36	.13	0	0	0
5	.29	.39	.02	0	.06	.18	.24	.33	.13	0	0	0
6	.30	.36	.20	0	.03	.19	.26	.32	.12	0	0	0
7	.29	.60	.17	0	.03	.27	.24	.29	.11	0	0	0
8	.27	.36	.06	0	.03	.39	.33	.34	.12	0	0	0
9	.28	.38	.19	.19	.21	.26	.35	.33	.06	0	0	0
10	.30	.36	.09	0	.09	.26	.39	.30	.03	.05	0	0
11	.30	.35	.90	.01	.02	.27	.15	.31	.02	0	0	0
12	.29	.08	.29	0	.06	.34	.15	.28	.11	0	0	0
13	.29	.08	0	0	.11	.38	.16	.29	.07	.05	0	0
14	.30	.08	0	0	.02	.27	.13	.19	.04	.19	0	0
15	.31	.07	0	0	.03	.28	.10	.16	0	0	0	0
16	.29	.06	0	0	.06	.18	.10	.27	0	0	0	0
17	.31	.06	.03	.09	.06	.17	.22	.32	0	0	0	0
18	.32	.07	.15	.17	.08	.17	1.0	.28	0	0	0	0
19	.31	.08	.23	.19	.11	.18	.74	.30	0	0	0	0
20	.31	.08	.30	.23	.12	.20	.49	.31	0	0	0	0
21	.35	.08	.14	.31	.14	.20	.33	.33	0	0	0	0
22	.37	.08	.01	.39	.16	.21	.14	.32	0	0	0	0
23	.35	.09	.01	.44	.15	.22	.06	.38	0	0	0	0
24	.34	.08	.02	.59	.17	.23	.01	.40	0	0	0	0
25	.36	.09	0	.83	.19	.28	0	.40	0	0	0	0
26	.38	.10	.29	.37	.22	.25	.04	.39	0	.25	0	0
27	.39	.11	0	.03	.24	.28	.09	.36	0	.02	0	0
28	.36	.10	0	.05	.28	.27	.16	.20	0	0	0	0
29	.37	0	0	.06	-----	.27	.17	.20	0	0	0	0
30	.37	.07	0	.06	-----	.27	.21	.19	0	0	0	0
31	.37	-----	0	.09	-----	.26	-----	.16	-----	0	0	-----
TOTAL	10.22	5.86	3.16	4.11	3.00	7.43	7.27	9.23	1.47	0.56	0	0
MEAN	.33	.20	.10	.13	.11	.24	.24	.30	.049	.018	0	0
MAX	.44	.60	.90	.83	.28	.39	1.0	.41	.35	.25	0	0
MIN	.27	0	0	0	.02	.14	0	.16	0	0	0	0
AC-FT	20	12	6.3	8.2	6.0	15	14	18	2.9	1.1	0	0
CAL YEAR 1998	TOTAL	19.24	MEAN	.21	MAX	.90	MIN	0	AC-FT	38		
WTR YEAR 1999	TOTAL	52.31	MEAN	.14	MAX	1.0	MIN	0	AC-FT	104		

# RUNOFF – DAILY DISCHARGE

WESTERN HYDROLOGIC SYSTEMS - (916) 885-2480

F328-R MINT CANYON CREEK AT FITCH AVE.

DAILY DISCHARGE IN CUBIC FEET PER SECOND WATER YEAR OCT 1998 TO SEP 1999

Day	OCT	NOV	DEC	JAN	FEB	MAR	APR	MAY	JUN	JUL	AUG	SEP
1	0	.11	.10	.05	.03	.09	.09	.06	.10	0	0	0
2	0	0	0	.17	.07	.15	.11	.08	.07	0	0	0
3	0	0	.07	.14	.13	.13	.16	.09	.08	0	0	0
4	0	0	.14	.13	.09	.10	.14	.05	0	0	0	0
5	0	0	.02	.07	.06	.17	.10	0	0	0	0	0
6	0	0	.13	.20	.13	.17	.28	0	0	0	0	0
7	0	.06	.10	.24	.14	.17	.38	0	0	0	0	0
8	0	.91	.08	.12	.19	.11	.13	0	0	0	0	0
9	0	.14	.08	.18	.60	.12	.14	0	0	0	0	0
10	.18	0	0	.17	.10	.11	.13	.14	0	0	0	0
11	0	.19	0	.24	.20	.11	.44	.10	0	.06	0	0
12	0	0	0	.21	.46	.11	.56	.12	0	0	0	0
13	0	0	.21	.10	.26	.11	.15	.10	0	0	0	0
14	0	0	.12	.09	.16	.11	.10	.10	0	0	0	0
15	0	0	.06	.32	.13	.11	.08	.10	0	0	0	0
16	0	0	.16	.18	.14	.13	.10	.12	0	0	0	0
17	.29	0	.17	.15	.10	.07	.11	.10	0	0	0	0
18	.83	0	.34	.13	.15	.09	.10	.15	0	0	0	0
19	0	.06	.10	.08	.20	.11	.13	.11	0	0	0	0
20	0	0	.03	.08	.19	.15	.13	.13	0	0	0	0
21	.79	.10	.04	.36	.02	.12	.14	.11	0	0	0	0
22	0	0	.06	.19	.04	.11	.14	.09	0	0	0	0
23	0	0	.05	.10	.14	.15	.11	.13	0	0	0	0
24	0	0	.06	.15	.08	.11	.11	.11	0	0	0	0
25	0	0	.15	.89	.08	.17	.10	.11	0	0	0	0
26	0	0	.11	.68	.08	.11	.06	.13	0	0	0	0
27	0	0	.02	.38	.07	.11	.10	.16	0	0	0	0
28	.21	4.7	.06	.10	.07	.09	.11	.13	0	0	0	0
29	.55	.01	.22	.23	-----	.07	.10	.07	0	0	0	0
30	0	0	.14	.10	-----	.13	.08	.11	0	0	0	0
31	0	-----	.12	.24	-----	.11	-----	.10	-----	0	0	-----
TOTAL	2.85	6.28	2.94	6.47	4.11	3.70	4.61	2.80	0.25	0.06	0	0
MEAN	.092	.21	.095	.21	.15	.12	.15	.090	.008	.002	0	0
MAX	.83	4.7	.34	.89	.60	.17	.56	.16	.10	.06	0	0
MIN	0	0	0	.05	.02	.07	.06	0	0	0	0	0
AC-FT	5.7	12	5.8	13	8.2	7.3	9.1	5.6	.5	.1	0	0
CAL YEAR 1998	TOTAL	12.07	MEAN	.13	MAX	4.7	MIN	0	AC-FT	24		
WTR YEAR 1999	TOTAL	34.07	MEAN	.093	MAX	4.7	MIN	0	AC-FT	67		

1/5-2/2 periods of no commun. 2/2-3/2 periods of no commun. 3/2-4/6:pds of no commun. no commun:4/12@1600-4/13@0655

# RUNOFF – DAILY DISCHARGE

WESTERN HYDROLOGIC SYSTEMS - (916) 885-2480

F181-R MONTEBELLO STORM DRAIN ABOVE RIO HONDO

DAILY DISCHARGE IN CUBIC FEET PER SECOND WATER YEAR OCT 1998 TO SEP 1999

Day	OCT	NOV	DEC	JAN	FEB	MAR	APR	MAY	JUN	JUL	AUG	SEP
1	.06	.06	.11	.01	.09	.10	2.0	.05	.06	.14	.13	.42
2	.06	.06	.11	.04	.06	.08	.29	.03	.08	.12	.12	.12
3	.06	.06	.11	.07	.07	.08	.09	.06	.12	.14	.15	.12
4	.06	.05	.11	.08	1.2	.12	.07	.06	.11	.13	.15	.12
5	.06	.06	.12	.07	5.8	.08	.06	.07	.07	.10	.18	.12
6	.06	.06	.15	.07	.32	.10	.11	.07	.09	.12	.14	.12
7	.06	.06	.12	.11	.07	.10	10	.07	.13	.12	.16	.12
8	.06	5.3	.12	.11	.12	.12	1.9	.10	.13	.14	.16	.12
9	.06	.19	.12	.08	8.7	.33	.98	.07	.02	.16	.17	.12
10	.06	.12	.12	.07	.33	.09	.08	.08	.07	.14	.15	.12
11	.06	.10	.12	.08	.07	.06	26	.09	.09	.13	.17	.12
12	.06	.07	.12	.09	.88	.09	6.4	.06	.11	.15	.12	.12
13	.06	.07	.12	.09	.06	.07	.84	.09	.12	.18	.12	.12
14	.06	.07	.12	.07	.09	.06	.27	.09	.11	.21	.13	.12
15	.06	.07	.12	.08	.07	11	.15	.07	.11	.24	.15	.12
16	.06	.07	.12	.09	.08	.57	.17	.07	.12	.22	.15	.12
17	.06	.07	.12	.08	.07	.07	.13	.06	.13	.24	.12	.12
18	.06	.07	.12	.07	.09	.06	.12	.06	.17	.31	.12	.12
19	.06	.07	.12	.07	.07	.06	.12	.07	.12	.30	.12	.12
20	.06	.07	.12	4.8	.07	3.5	.13	.07	.12	.29	.12	.12
21	.06	.07	.12	.15	.07	.10	.11	.07	.12	.24	.12	.12
22	.06	.07	.12	.06	.09	.07	.10	.07	.12	.19	.12	.12
23	.06	.07	.12	.06	.08	.08	.09	.10	.10	.16	.12	.12
24	.06	.07	.12	.07	.08	.09	.13	.10	.10	.18	.12	.12
25	.06	.07	.12	9.3	.09	4.5	.11	.06	.11	.22	.12	.12
26	.06	.07	.12	21	.09	.26	.06	.06	.14	.22	.12	.12
27	.06	.07	.12	.96	.07	.07	.06	.06	.11	.19	.12	.12
28	.06	7.4	.12	.09	.08	.07	.05	.06	.11	.15	.12	.12
29	.06	0	.12	.08	-----	.10	.05	.06	.13	.15	.12	.12
30	.06	0	.12	.06	-----	1.5	.05	.06	.12	.13	.12	.42
31	.06	-----	.12	9.2	-----	.07	-----	.06	-----	.12	.12	-----
TOTAL	1.86	14.64	3.71	47.26	18.96	23.65	50.72	2.15	3.24	5.53	4.15	4.20
MEAN	.060	.49	.12	1.52	.68	.76	1.69	.069	.11	.18	.13	.14
MAX	.06	7.4	.15	21	8.7	11	26	.10	.17	.31	.18	.42
MIN	.06	0	.11	.01	.06	.06	.05	.03	.02	.10	.12	.12
AC-FT	3.7	29	7.4	94	38	47	101	4.3	6.4	11	8.2	8.3
CAL YEAR 1998	TOTAL	20.21	MEAN	.22	MAX	7.4	MIN	0	AC-FT	40		
WTR YEAR 1999	TOTAL	180.07	MEAN	.49	MAX	26	MIN	0	AC-FT	358		

AS OF 10/07/99

# RUNOFF – DAILY DISCHARGE

WESTERN HYDROLOGIC SYSTEMS - (916) 885-2480

F118B-R      PACIOMA DAM OUTFLOW

DAILY DISCHARGE IN CUBIC FEET PER SECOND WATER YEAR OCT 1998 TO SEP 1999

Day	OCT	NOV	DEC	JAN	FEB	MAR	APR	MAY	JUN	JUL	AUG	SEP
1	0	0	24	2.7	1.2	16	0	0	0	0	0	0
2	0	0	24	2.0	1.2	27	0	0	0	18	0	0
3	0	0	13	1.2	1.2	28	0	32	12	13	0	0
4	0	0	4.8	.60	1.2	9.4	0	14	0	.73	0	0
5	0	0	4.8	.60	1.2	0	0	0	0	0	0	0
6	0	0	4.8	.60	1.2	0	0	0	0	0	0	0
7	0	0	4.8	.60	1.2	0	0	0	0	0	0	0
8	0	0	4.8	.60	29	0	15	0	19	0	0	0
9	0	0	4.8	.60	29	0	24	0	18	0	0	0
10	0	0	4.8	.60	2.5	0	8.5	0	0	0	0	0
11	0	0	4.8	.54	33	0	0	0	0	0	0	0
12	0	0	4.8	0	30	0	0	0	0	0	0	0
13	0	0	4.8	0	.88	0	0	0	0	0	0	0
14	0	0	16	0	0	0	17	0	0	0	0	0
15	0	0	24	0	0	0	25	0	0	0	0	0
16	0	0	22	0	0	0	8.2	0	0	0	0	0
17	0	18	10	0	0	13	0	9.2	0	0	0	0
18	0	32	1.8	0	0	19	0	4.5	0	0	0	0
19	0	21	1.8	0	0	0	0	0	0	0	0	0
20	0	0	1.8	0	0	0	18	0	0	0	0	0
21	0	0	1.8	0	0	0	7.7	0	0	0	0	0
22	0	0	1.8	0	0	0	0	0	0	0	0	0
23	0	0	1.8	0	0	0	0	0	0	0	0	0
24	0	0	1.8	0	0	0	0	0	0	0	0	0
25	0	0	1.8	23	0	0	0	0	0	0	0	0
26	0	0	1.8	37	0	0	0	0	0	18	0	0
27	0	0	1.8	19	0	0	0	0	0	30	0	0
28	0	0	24	1.3	0	0	0	0	0	13	0	0
29	0	0	38	1.2	-----	15	0	0	0	1.0	0	0
30	0	15	16	1.2	-----	14	0	0	0	0	0	0
31	0	-----	3.0	1.2	-----	0	-----	0	-----	0	0	-----
TOTAL	0	86	280.0	94.54	132.78	141.4	123.4	59.7	49	93.73	0	0
MEAN	0	2.87	9.03	3.05	4.74	4.56	4.11	1.93	1.63	3.02	0	0
MAX	0	32	38	37	33	28	25	32	19	30	0	0
MIN	0	0	1.8	0	0	0	0	0	0	0	0	0
AC-FT	0	171	555	188	263	280	245	118	97	186	0	0
CAL YEAR 1998	TOTAL	366.00	MEAN	3.98	MAX	38	MIN	0	AC-FT	726		
WTR YEAR 1999	TOTAL	1,060.55	MEAN	2.91	MAX	38	MIN	0	AC-FT	2,100		

Record based on Dam records.  
AS OF 10-09-97 BY SOO KHOO

## RUNOFF – DAILY DISCHARGE

WESTERN HYDROLOGIC SYSTEMS - (916) 885-2480

F305-R      PACOIMA DIVERSION @ BRANFORD

DAILY DISCHARGE IN CUBIC FEET PER SECOND WATER YEAR OCT 1998 TO SEP 1999

Day	OCT	NOV	DEC	JAN	FEB	MAR	APR	MAY	JUN	JUL	AUG	SEP
1	4.2	5.0	6.2	4.0	7.6	3.7	3.7	3.6	4.3	3.4	3.1	2.5
2	4.0	5.0	5.3	4.0	4.3	4.2	27	3.7	41	3.6	3.0	2.7
3	4.0	5.0	7.8	4.0	2.0	4.5	3.3	3.7	11	3.8	3.3	2.6
4	4.0	4.7	6.0	9.7	2.2	4.2	3.3	4.4	3.8	3.5	3.4	2.6
5	4.0	4.5	4.5	3.8	3.7	3.2	3.3	4.1	3.3	3.3	3.5	2.6
6	4.0	4.5	18	4.1	1.9	3.4	108	3.8	3.2	3.3	3.6	2.7
7	4.0	4.5	4.5	4.0	2.0	3.2	83	4.1	3.2	3.6	3.4	2.7
8	4.0	71	4.6	3.9	2.4	3.2	8.4	4.2	3.5	3.6	3.2	2.6
9	4.0	4.6	4.4	3.9	9.3	27	12	4.2	3.7	3.5	3.3	3.4
10	4.0	4.5	4.5	3.6	2.7	3.0	7.4	4.4	3.6	3.5	3.1	3.5
11	4.0	11	4.5	3.6	4.8	6.1	88	4.6	3.4	3.6	3.1	3.0
12	4.0	4.5	4.5	3.6	5.7	3.2	36	4.5	3.3	3.3	3.5	3.0
13	4.0	4.5	4.5	3.6	1.9	3.2	3.7	4.5	3.3	3.6	3.8	3.0
14	4.0	4.3	4.5	3.6	1.8	3.3	3.9	4.2	3.3	3.5	3.6	2.8
15	4.0	4.0	4.5	3.6	1.9	72	3.4	4.2	3.2	3.4	3.4	2.9
16	3.9	4.0	4.5	3.6	2.1	3.0	3.7	4.4	3.2	3.6	3.3	3.3
17	3.6	4.0	4.5	3.6	2.1	2.9	3.7	4.3	3.5	3.3	3.1	3.2
18	3.6	4.0	4.5	3.8	2.1	3.4	3.6	4.4	3.2	3.5	3.3	3.3
19	3.6	4.2	7.6	4.0	2.2	3.1	3.8	4.4	3.3	3.3	3.5	3.0
20	3.6	4.0	6.5	20	2.1	54	7.9	4.3	3.2	3.2	3.7	3.1
21	3.6	4.0	5.0	4.0	2.0	3.1	11	4.4	3.3	3.2	3.5	3.0
22	3.6	4.0	5.0	4.0	1.9	3.2	4.0	6.1	3.1	3.5	3.1	3.1
23	3.6	4.0	5.0	4.0	2.1	3.2	18	5.2	3.1	3.1	3.3	3.4
24	3.6	4.0	5.0	4.0	3.1	3.3	3.5	4.4	3.2	2.9	3.4	3.1
25	3.6	4.0	5.0	46	3.4	63	3.7	4.3	3.1	2.8	2.8	3.2
26	3.6	4.0	4.6	49	3.5	3.5	3.7	4.2	3.2	3.2	3.2	3.1
27	3.6	4.0	4.5	6.5	3.4	3.3	3.7	4.1	3.3	3.2	2.8	3.1
28	3.6	56	4.5	6.2	3.4	3.4	3.5	4.2	3.2	3.2	2.6	2.8
29	44	4.5	4.5	6.1	-----	3.4	3.5	4.3	3.2	3.1	2.6	2.5
30	9.7	4.3	4.5	5.6	-----	3.5	3.6	4.1	3.5	3.1	2.6	4.8
31	5.4	-----	4.5	62	-----	3.4	-----	4.0	-----	3.2	2.4	-----
TOTAL	166.4	254.6	168.0	295.4	87.6	310.1	475.3	133.3	145.7	103.9	99.5	90.6
MEAN	5.37	8.49	5.42	9.53	3.13	10.0	15.8	4.30	4.86	3.35	3.21	3.02
MAX	44	71	18	62	9.3	72	108	6.1	41	3.8	3.8	4.8
MIN	3.6	4.0	4.4	3.6	1.8	2.9	3.3	3.6	3.1	2.8	2.4	2.5
AC-FT	330	505	333	586	174	615	943	264	289	206	197	180
CAL YEAR 1998	TOTAL	589.0	MEAN	6.40	MAX	71	MIN	3.6	AC-FT	1,170		
WTR YEAR 1999	TOTAL	2,330.4	MEAN	6.38	MAX	108	MIN	1.8	AC-FT	4,620		

\* Incomplete Record

# RUNOFF – DAILY DISCHARGE

WESTERN HYDROLOGIC SYSTEMS - (916) 885-2480

F122-R PALLETT CREEK AT VALYERMO HWY.

DAILY DISCHARGE IN CUBIC FEET PER SECOND WATER YEAR OCT 1998 TO SEP 1999

Day	OCT	NOV	DEC	JAN	FEB	MAR	APR	MAY	JUN	JUL	AUG	SEP
1	1.7	1.6	2.0	1.2	1.1	1.1	.90	.59	.59	.35	.18	.16
2	1.5	1.6	1.8	1.3	1.1	1.0	.90	.48	.56	.35	.17	.09
3	1.8	1.6	1.8	1.2	1.0	1.0	.85	.40	.60	.45	.15	.12
4	1.9	1.7	1.8	1.3	1.0	1.0	.80	.39	.60	.46	.14	.11
5	1.7	1.8	1.9	1.3	1.0	1.0	.80	.40	.58	.46	.14	.07
6	1.6	1.7	2.0	1.3	1.0	1.3	.84	.40	.56	.46	.16	.06
7	1.5	1.6	1.6	1.3	1.0	1.3	.81	.43	.62	.46	.17	.11
8	1.5	1.6	1.6	1.3	.89	1.3	.77	.43	.63	.50	.18	.15
9	1.5	1.6	1.6	1.3	.81	1.3	.75	.30	.62	.47	.08	.15
10	1.5	1.7	1.6	1.3	.83	1.3	.74	.31	.62	.45	.12	.12
11	1.5	2.1	1.6	1.3	.89	1.3	.71	.33	.70	.43	.14	.10
12	1.7	2.0	1.6	1.3	.89	1.3	.71	.36	.70	.39	.17	.10
13	1.8	2.0	1.7	1.3	.90	1.3	.66	.37	.71	.41	.16	.07
14	1.8	1.8	2.0	1.3	.86	1.6	.68	.39	.73	.45	.15	.10
15	1.8	1.6	2.0	1.3	.93	1.6	.70	.40	.75	.43	.15	.10
16	1.8	1.6	1.6	1.0	.97	1.6	.73	.40	.65	.38	.15	.08
17	1.8	1.8	1.6	1.0	.91	1.4	.80	.41	.48	.36	.09	.16
18	1.7	1.9	1.7	1.0	.90	1.3	.81	.44	.40	.34	.14	.11
19	1.7	1.8	1.6	1.1	.90	1.3	.90	.45	.32	.34	.13	.16
20	1.6	1.8	1.6	1.2	.95	1.5	.91	.38	.25	.36	.14	.14
21	1.6	1.8	1.6	1.1	1.0	1.5	1.2	.44	.26	.35	.13	.07
22	1.6	1.8	1.6	1.2	1.0	1.4	1.2	.46	.41	.34	.14	.07
23	1.6	1.8	1.6	1.3	1.0	1.2	1.5	.46	.45	.26	.12	.08
24	1.4	1.7	1.6	1.0	1.0	1.3	1.7	.50	.45	.17	.13	.15
25	1.3	2.0	1.4	1.1	1.0	1.1	1.8	.52	.44	.17	.13	.13
26	1.3	2.0	1.3	1.0	1.1	1.0	1.5	.53	.35	.17	.14	.11
27	1.3	2.0	1.3	1.0	1.3	.90	.95	.48	.37	.19	.12	.14
28	1.3	2.6	1.3	1.0	1.3	.86	.89	.44	.36	.18	.09	.10
29	1.3	2.4	1.4	1.0	-----	.80	.79	.41	.36	.21	.09	.08
30	1.3	2.1	1.1	1.0	-----	.80	.69	.40	.35	.20	.10	.08
31	1.5	-----	1.2	1.0	-----	.91	-----	.44	-----	.17	.12	-----
TOTAL	48.9	55.1	50.1	36.3	27.53	37.57	27.99	13.14	15.47	10.71	4.22	3.27
MEAN	1.58	1.84	1.62	1.17	.98	1.21	.93	.42	.52	.35	.14	.11
MAX	1.9	2.6	2.0	1.3	1.3	1.6	1.8	.59	.75	.50	.18	.16
MIN	1.3	1.6	1.1	1.0	.81	.80	.66	.30	.25	.17	.08	.06
AC-FT	97	109	99	72	55	75	56	26	31	21	8.4	6.5
CAL YEAR 1998	TOTAL	154.10	MEAN	1.68	MAX	2.6	MIN	1.1	AC-FT	305		
WTR YEAR 1999	TOTAL	330.30	MEAN	.90	MAX	2.6	MIN	.06	AC-FT	656		

9/1-9/30 water cut below commun holes.

# RUNOFF – DAILY DISCHARGE

WESTERN HYDROLOGIC SYSTEMS - (916) 885-2480

F192B-R RIO HONDO BELOW LOWER AZUSA ROAD

DAILY DISCHARGE IN CUBIC FEET PER SECOND WATER YEAR OCT 1998 TO SEP 1999

Day	OCT	NOV	DEC	JAN	FEB	MAR	APR	MAY	JUN	JUL	AUG	SEP
1	0	0	0	0	17	.43	17	0	0	0	0	0
2	0	0	0	0	23	26	.78	0	16	0	0	0
3	0	0	0	0	14	38	1.4	0	2.6	0	.03	0
4	0	0	0	0	7.5	26	.20	0	.43	0	0	0
5	0	0	0	0	4.7	18	.69	0	0	0	0	0
6	0	0	0	0	3.2	11	23	0	0	0	0	0
7	0	0	0	0	2.2	7.2	9.9	0	0	0	0	0
8	0	72	0	0	1.7	2.0	3.1	0	0	0	0	0
9	0	0	0	0	5.1	.21	1.5	0	0	0	0	0
10	0	0	0	0	5.3	.08	1.2	0	0	0	.02	0
11	0	.06	0	0	4.5	0	16	0	0	0	.38	0
12	0	0	0	0	3.1	0	5.7	0	0	0	.07	0
13	0	0	0	0	2.2	0	.86	0	0	0	0	0
14	0	0	0	0	1.5	0	102	0	0	0	0	0
15	0	0	0	0	1.0	5.2	125	0	0	0	0	0
16	0	0	0	0	.77	.17	74	0	0	0	0	0
17	0	0	0	0	.67	.06	48	0	0	0	0	0
18	0	5.9	0	0	.55	0	34	0	0	0	0	0
19	0	7.3	0	0	.43	.01	9.0	0	0	0	0	0
20	0	5.2	0	2.3	.20	.85	0	0	0	0	0	0
21	0	3.9	0	0	.03	.06	0	0	0	0	0	0
22	0	3.0	0	0	0	.05	18	.02	0	0	0	0
23	0	2.4	0	0	0	0	48	.01	0	0	0	0
24	0	1.7	0	0	0	.01	44	0	0	0	0	0
25	0	.72	0	3.9	0	1.0	42	0	0	0	0	0
26	0	.01	0	13	0	.11	44	0	0	0	0	0
27	0	0	0	.10	0	0	45	0	0	0	0	0
28	0	3.8	0	0	8.9	0	32	0	0	0	0	0
29	0	.16	0	0	-----	0	15	0	0	0	.10	0
30	0	.06	0	0	-----	0	.24	0	0	0	.10	0
31	0	-----	0	5.1	-----	0	-----	0	-----	0	0	-----
TOTAL	0	106.21	0	24.40	107.55	136.44	761.57	0.03	19.03	0	0.70	0
MEAN	0	3.54	0	.79	3.84	4.40	25.4	.001	.63	0	.023	0
MAX	0	72	0	13	23	38	125	.02	16	0	.38	0
MIN	0	0	0	0	0	0	0	0	0	0	0	0
AC-FT	0	211	0	48	213	271	1,510	.06	38	0	1.4	0
CAL YEAR 1998	TOTAL	106.21	MEAN	1.15	MAX	72	MIN	0	AC-FT	211		
WTR YEAR 1999	TOTAL	1,155.93	MEAN	3.17	MAX	125	MIN	0	AC-FT	2,290		

as of 10/07/99



# RUNOFF – DAILY DISCHARGE

WESTERN HYDROLOGIC SYSTEMS - (916) 885-2480

F45B-R      RIO HONDO CH ABOVE STEWART AND GRAY

DAILY DISCHARGE IN CUBIC FEET PER SECOND WATER YEAR OCT 1998 TO SEP 1999

Day	OCT	NOV	DEC	JAN	FEB	MAR	APR	MAY	JUN	JUL	AUG	SEP
1	.53	.37	2.3	0	1.4	.11	12	3.0	.38	.10	.15	.57
2	.80	.39	3.8	0	.10	.05	2.0	3.1	142	.12	.22	.20
3	.58	.28	.97	0	.06	.04	.11	2.9	24	.50	.11	.21
4	.28	.19	1.7	.03	1.4	.07	.06	.70	.57	.20	.11	.18
5	.22	.22	2.7	.06	3.6	.07	.20	.74	.10	.14	.12	.96
6	.25	.20	4.0	.12	.80	.05	103	.15	.68	.16	.24	.73
7	.40	.19	.93	.47	.20	.04	48	.10	.48	.11	.13	1.8
8	.25	417	.10	.59	.10	.07	5.6	.14	1.7	.19	.10	.39
9	.37	10	.12	.08	1.3	1.4	2.6	.15	1.1	.46	.26	.23
10	.24	.92	.11	.09	1.2	.11	.11	.13	.65	.13	.10	.15
11	.22	3.2	.07	.17	.03	.05	179	.12	.64	.22	.11	.14
12	.38	.82	.05	.16	.02	.05	50	.14	.44	.26	.12	.43
13	.52	1.0	.06	.13	.02	.05	2.6	.14	.32	.11	.09	.23
14	.54	.54	.06	.37	.02	.05	1.5	.34	.52	.11	.12	.21
15	.23	.27	.06	.41	.02	13	1.3	.15	.25	.12	.15	.74
16	.23	.32	.03	.24	.02	.65	.95	.20	.29	.23	.13	1.3
17	.27	.60	.03	.17	.04	.26	.12	.11	.12	.19	.22	.60
18	.19	.41	.02	.27	.06	.13	.10	.11	.18	.24	.19	.18
19	.22	.74	.12	.23	.05	.08	.21	.14	.08	.21	.23	.12
20	.36	.16	.21	3.8	.03	15	.48	.14	.06	.35	.11	.15
21	.50	.19	.03	.81	.03	.51	.17	.29	.07	.13	.19	.64
22	.52	.17	0	.15	.03	.07	.12	.19	.14	.12	.13	6.1
23	.51	.30	0	.12	.05	.12	1.7	12	.08	.13	.12	2.4
24	.44	.29	.02	.17	.05	.62	1.3	.62	.05	.12	.13	1.4
25	.30	.28	0	3.6	.05	30	.11	.28	.06	.12	.22	1.1
26	.25	.28	0	3.7	.05	4.9	.08	.17	.06	.16	.20	1.1
27	.26	.31	0	4.0	.04	.17	.08	.13	.06	.12	.23	1.2
28	.30	188	0	.83	.04	.12	.09	.14	.16	.25	.16	1.3
29	.41	4.6	0	.11	-----	.53	6.9	.12	.12	.14	.20	2.3
30	.25	.54	0	.08	-----	1.3	5.1	.20	.08	.12	.26	.87
31	.30	-----	0	3.0	-----	.26	-----	.10	-----	.11	.23	-----
TOTAL	11.12	632.78	17.49	23.96	10.81	69.93	425.59	26.94	175.44	5.67	5.08	27.93
MEAN	.36	21.1	.56	.77	.39	2.26	14.2	.87	5.85	.18	.16	.93
MAX	.80	417	4.0	4.0	3.6	30	179	12	142	.50	.26	6.1
MIN	.19	.16	0	0	.02	.04	.06	.10	.05	.10	.09	.12
AC-FT	22	1,260	35	48	21	139	844	53	348	11	10	55
CAL YEAR 1998	TOTAL	661.39	MEAN	7.19	MAX	417	MIN	0	AC-FT	1,320		
WTR YEAR 1999	TOTAL	1,432.74	MEAN	3.93	MAX	417	MIN	0	AC-FT	2,850		

AS OF 10/07/99

# RUNOFF – DAILY DISCHARGE

WESTERN HYDROLOGIC SYSTEMS - (916) 885-2480

F313B-R RIO HONDO BYPASS-ZONE 1 DITCH

DAILY DISCHARGE IN CUBIC FEET PER SECOND WATER YEAR OCT 1998 TO SEP 1999

Day	OCT	NOV	DEC	JAN	FEB	MAR	APR	MAY	JUN	JUL	AUG	SEP
1	33	0	.04	35	0	88	74	80	0	0	23	22
2	84	0	0	38	0	84	85	87	0	0	36	19
3	89	0	0	41	42	81	76	75	0	0	48	19
4	87	0	0	39	65	83	85	88	0	0	33	18
5	91	0	0	65	39	87	77	85	0	0	26	18
6	91	0	0	79	25	37	78	41	0	0	22	26
7	90	0	70	88	25	54	50	.26	0	0	21	22
8	86	0	79	87	16	75	.42	0	0	0	25	22
9	87	0	48	85	0	81	.35	0	0	0	27	20
10	86	0	35	91	41	82	88	0	0	0	21	19
11	86	0	40	94	74	80	122	0	0	0	24	19
12	91	0	41	92	45	81	104	0	0	23	25	20
13	86	0	45	91	37	79	92	0	0	26	25	24
14	87	0	35	89	37	53	9.2	0	0	25	23	21
15	89	0	28	89	37	.15	71	0	0	22	23	22
16	90	0	27	89	38	44	67	0	0	26	39	22
17	93	45	28	86	14	91	76	0	0	21	44	23
18	92	87	29	93	0	52	60	0	0	20	43	23
19	95	88	35	99	0	0	42	0	0	25	30	23
20	92	91	56	39	0	0	34	0	0	25	22	24
21	90	90	38	.37	0	0	28	0	0	22	23	11
22	91	86	39	.21	51	47	32	0	0	26	21	17
23	93	90	35	.12	69	86	42	0	0	23	24	22
24	91	91	35	.02	80	63	89	0	0	27	22	22
25	91	86	34	0	79	0	89	0	0	24	22	22
26	96	93	35	.31	74	0	79	0	0	26	22	24
27	92	91	33	95	69	0	79	0	0	27	26	25
28	36	27	34	84	64	0	76	0	0	27	21	24
29	.34	.33	34	73	-----	8.1	91	0	0	25	15	24
30	.18	.23	39	44	-----	0	90	0	0	27	21	23
31	.07	-----	38	19	-----	0	-----	0	-----	23	22	-----
TOTAL	2,405.59	965.56	990.04	1,825.03	1,021	1,436.25	1,985.97	456.26	0	490	819	640
MEAN	77.6	32.2	31.9	58.9	36.5	46.3	66.2	14.7	0	15.8	26.4	21.3
MAX	96	93	79	99	80	91	122	88	0	27	48	26
MIN	.07	0	0	0	0	0	.35	0	0	0	15	11
AC-FT	4,770	1,920	1,960	3,620	2,030	2,850	3,940	905	0	972	1,620	1,270
CAL YEAR 1998	TOTAL	4,361.19	MEAN	47.4	MAX	96	MIN	0	AC-FT	8,650		
WTR YEAR 1999	TOTAL	13,034.70	MEAN	35.7	MAX	122	MIN	0	AC-FT	25,860		

# RUNOFF – DAILY DISCHARGE

WESTERN HYDROLOGIC SYSTEMS - (916) 885-2480

F338-R RUBIO DIVERSION CHANNEL

DAILY DISCHARGE IN CUBIC FEET PER SECOND WATER YEAR OCT 1998 TO SEP 1999

Day	OCT	NOV	DEC	JAN	FEB	MAR	APR	MAY	JUN	JUL	AUG	SEP
1	.14	0	.76	.40	.67	6.8	11	0	0	.20	.20	.20
2	.39	0	.80	.41	0	11	12	0	3.7	.20	.20	.20
3	.50	0	1.2	.40	0	11	10	.04	.46	.20	.25	.20
4	.20	0	.92	.32	.19	11	14	0	0	.20	.20	.20
5	.20	0	.47	.40	.42	11	11	0	0	.20	.20	.20
6	.17	0	.78	.42	0	10	15	.09	0	.20	.20	.20
7	.15	0	.40	.48	0	9.8	2.4	0	0	.20	.20	.20
8	.15	.62	.29	.70	.19	9.7	.61	0	0	.20	.25	.20
9	.14	0	.20	.67	8.3	10	.01	0	0	.20	.20	.26
10	.16	.14	.38	.40	.73	9.2	0	0	0	.20	.20	.20
11	.12	.43	.30	.53	.29	11	1.1	0	0	.20	.20	.20
12	.01	0	.40	.80	.33	14	.96	0	0	.20	.20	.20
13	0	.23	.40	.86	.20	12	0	0	0	.20	.20	.20
14	0	.70	.40	.60	.20	12	0	0	0	.20	.20	.20
15	0	.80	.40	.63	.20	27	.02	0	0	.20	.20	.20
16	0	.56	1.1	.68	.75	13	0	0	0	.20	.20	.20
17	0	.25	.49	.78	1.2	8.2	0	0	0	.20	.20	.20
18	0	.43	.63	.71	1.1	9.8	0	0	0	.20	.22	.20
19	0	.49	.69	.81	.60	8.6	0	0	0	.20	.23	.20
20	0	.20	.72	1.9	.62	13	0	0	0	.20	.24	.20
21	0	.20	1.5	1.3	.91	7.8	.19	0	0	.20	.27	.20
22	0	.20	1.7	.82	.73	7.4	.18	.01	0	.20	.20	.20
23	0	.20	1.1	.80	.64	7.4	0	.63	0	.20	.20	.20
24	0	.20	.41	.80	.55	7.0	0	0	0	.20	.20	.20
25	0	.20	.25	6.4	.63	19	0	0	0	.20	.23	.50
26	0	.20	.20	6.5	.61	11	0	0	0	.21	.20	.20
27	0	.45	.39	1.6	.60	7.4	0	0	0	.20	.20	.20
28	0	2.7	.40	1.6	.62	6.9	0	0	0	.20	.20	.20
29	0	.37	.40	1.3	-----	6.6	0	0	.13	.20	.20	.20
30	0	.21	.40	.90	-----	6.6	0	0	.24	.20	.20	.20
31	0	-----	.40	3.6	-----	8.4	-----	0	-----	.20	.20	-----
TOTAL	2.33	9.78	18.88	38.52	21.28	323.6	78.47	0.77	4.53	6.21	6.49	6.36
MEAN	.075	.33	.61	1.24	.76	10.4	2.62	.025	.15	.20	.21	.21
MAX	.50	2.7	1.7	6.5	8.3	27	15	.63	3.7	.21	.27	.50
MIN	0	0	.20	.32	0	6.6	0	0	0	.20	.20	.20
AC-FT	4.6	19	37	76	42	642	156	1.5	9.0	12	13	13
CAL YEAR 1998 TOTAL		30.99	MEAN	.34	MAX	2.7	MIN	0	AC-FT	61		
WTR YEAR 1999 TOTAL		517.22	MEAN	1.42	MAX	27	MIN	0	AC-FT	1,030		

## RUNOFF – DAILY DISCHARGE

WESTERN HYDROLOGIC SYSTEMS - (916) 885-2480

F82C-R RUBIO WASH @ GLENDON WAY

DAILY DISCHARGE IN CUBIC FEET PER SECOND WATER YEAR OCT 1998 TO SEP 1999

Day	OCT	NOV	DEC	JAN	FEB	MAR	APR	MAY	JUN	JUL	AUG	SEP
1	0	0	2.3	.23	.26	.50	2.4	.61	.53	1.2	.80	.70
2	0	0	.43	.28	.16	.46	1.0	.39	57	2.0	.84	.66
3	0	.18	2.0	.20	.17	1.6	.27	.53	7.9	.92	.90	.73
4	0	.27	.78	.40	.94	2.2	.20	.58	.79	.92	.78	.67
5	0	.26	.35	.34	7.7	1.7	2.0	.54	.63	.93	.75	.65
6	.07	.26	6.0	.40	.27	.43	76	.47	.38	2.6	.83	.64
7	0	.17	.21	.50	.10	.32	26	.60	.68	2.6	.84	.90
8	0	26	.14	.34	.63	.36	2.9	.65	.74	3.4	.73	.84
9	0	.39	.19	.38	44	1.0	.63	.52	.85	1.1	.76	.79
10	0	.39	.16	.47	.42	.61	.25	.64	1.0	1.7	.74	.73
11	0	1.9	.16	.68	.09	.48	34	.91	1.0	1.5	.85	.70
12	0	.27	.15	.39	.11	.47	15	.47	.85	1.0	.72	.66
13	0	.40	.17	.78	.08	.63	.58	.57	.83	1.0	.73	.76
14	0	.38	.26	.63	.08	1.2	.82	.57	1.1	1.0	.65	.77
15	0	.47	.12	.69	.22	43	.28	.72	1.3	.92	.64	.96
16	0	.59	.16	.51	.28	.41	.51	.64	1.1	1.3	.69	1.1
17	0	.66	.32	.44	.35	.43	.24	.55	1.2	.95	1.0	.88
18	0	.65	.28	.53	.41	.54	.33	.47	1.4	.86	.74	.97
19	0	.70	.53	.72	.42	1.5	.50	.49	.92	.94	.75	.83
20	0	.65	.25	5.4	.34	8.2	2.7	.52	1.3	1.0	1.1	.94
21	0	.43	.28	.34	.30	.36	.75	.59	1.4	1.1	1.4	.92
22	0	.58	.16	.30	.39	.57	1.1	1.5	.90	.85	.68	1.1
23	0	.63	.20	.26	.23	.45	1.0	3.9	1.2	.77	.90	.99
24	0	.61	.30	.17	.40	.39	.71	.50	1.1	.70	.81	.94
25	0	.32	.11	21	.38	18	.51	.47	1.0	.70	.80	1.0
26	0	.28	.16	53	.43	.44	.62	.39	1.1	.74	1.0	1.0
27	0	.26	.20	1.3	.50	.13	.58	.37	1.0	.85	.92	1.0
28	0	79	.25	.17	.32	.24	.52	.47	1.7	1.0	.78	1.0
29	0	.42	.49	.12	-----	.29	.52	.47	1.1	1.3	.74	1.1
30	0	.30	.23	.05	-----	.58	.64	.26	1.3	.70	.79	1.0
31	0	-----	.31	38	-----	1.0	-----	.28	-----	.79	.73	-----
TOTAL	0.07	117.42	17.65	129.02	59.98	88.49	173.56	20.64	93.30	37.34	25.39	25.93
MEAN	.002	3.91	.57	4.16	2.14	2.85	5.79	.67	3.11	1.20	.82	.86
MAX	.07	79	6.0	53	44	43	76	3.9	57	3.4	1.4	1.1
MIN	0	0	.11	.05	.08	.13	.20	.26	.38	.70	.64	.64
AC-FT	.1	233	35	256	119	176	344	41	185	74	50	51
CAL YEAR 1998	TOTAL	135.14	MEAN	1.47	MAX	79	MIN	0	AC-FT	268		
WTR YEAR 1999	TOTAL	788.79	MEAN	2.16	MAX	79	MIN	0	AC-FT	1,560		

AS OF 10/07/99

# RUNOFF – DAILY DISCHARGE

WESTERN HYDROLOGIC SYSTEMS - (916) 885-2480

F303-R      SAN DIMAS CREEK BELOW DAM

DAILY DISCHARGE IN CUBIC FEET PER SECOND WATER YEAR OCT 1998 TO SEP 1999

Day	OCT	NOV	DEC	JAN	FEB	MAR	APR	MAY	JUN	JUL	AUG	SEP
1	5.4	.96	23	2.5	18	3.1	1.3	.53	2.4	.82	.58	.18
2	.70	1.0	23	2.5	26	3.1	.41	.53	4.8	.90	.48	.35
3	.60	3.1	14	2.5	25	3.1	.40	5.9	3.3	1.1	.40	.60
4	.53	4.5	2.8	13	17	3.1	.40	7.4	2.9	1.2	.30	.74
5	1.3	4.8	2.8	18	2.7	3.1	3.8	7.5	2.7	.94	.43	.72
6	6.2	4.9	2.8	17	2.7	3.1	8.2	4.9	2.3	.74	.62	.58
7	6.7	5.6	2.8	12	2.7	3.1	11	2.9	2.1	.63	.80	.53
8	5.5	5.7	11	2.5	2.5	3.1	6.6	.68	2.2	.78	.83	.43
9	5.0	5.6	13	2.3	3.0	3.1	.40	.68	2.3	1.2	.76	.36
10	5.2	5.8	9.2	2.1	13	3.4	.40	6.7	2.3	.90	.86	.39
11	5.6	6.1	2.5	2.1	22	3.4	.42	9.2	2.3	.63	.96	.24
12	2.1	5.6	2.5	2.1	14	3.3	14	8.9	2.1	.64	.93	.13
13	.58	5.6	2.5	2.1	2.8	3.1	19	8.7	1.9	.36	.90	.13
14	.65	5.6	11	2.2	2.8	3.1	19	5.3	1.6	.59	.36	.14
15	.61	5.6	16	2.2	2.8	3.2	20	.53	1.5	.71	.25	.28
16	.79	5.9	16	2.5	23	3.1	6.5	.53	1.5	.77	.22	.43
17	.72	12	7.4	2.5	33	3.0	.41	.53	1.5	.79	.20	.50
18	.68	12	2.5	2.5	20	2.9	.40	.53	1.5	.71	.33	.63
19	.68	10	2.5	15	2.8	2.8	14	.53	1.4	.70	.24	.84
20	7.1	5.9	2.8	22	2.8	2.8	26	64	1.4	.62	.19	.71
21	8.9	3.4	18	15	2.8	2.8	28	60	1.4	.60	.14	.28
22	7.8	3.4	25	2.5	23	2.8	38	57	1.4	.54	.08	.15
23	7.6	3.4	9.3	2.5	35	2.8	13	56	1.3	.38	.04	.44
24	7.2	3.4	2.5	2.5	33	2.7	.48	45	1.2	.31	.04	.55
25	5.2	3.9	2.5	2.6	12	2.7	.40	8.5	1.1	.27	.41	.50
26	2.0	3.8	2.5	2.8	3.1	2.5	.42	3.3	1.2	.36	.39	.42
27	.82	3.6	2.5	2.8	3.1	2.5	.45	3.0	1.1	.47	.23	.52
28	.92	3.6	15	2.8	3.1	2.5	.55	2.8	1.1	.50	.12	.51
29	.96	3.4	21	2.8	-----	2.5	.53	2.8	.91	.51	.08	.22
30	.96	17	8.9	2.8	-----	2.5	.53	2.7	.87	.50	.07	.10
31	.96	-----	2.5	2.8	-----	2.5	-----	2.6	-----	.56	.05	-----
TOTAL	99.96	165.16	279.8	171.5	353.7	90.8	235.00	380.17	55.58	20.73	12.29	12.60
MEAN	3.22	5.51	9.03	5.53	12.6	2.93	7.83	12.3	1.85	.67	.40	.42
MAX	8.9	17	25	22	35	3.4	38	64	4.8	1.2	.96	.84
MIN	.53	.96	2.5	2.1	2.5	2.5	.40	.53	.87	.27	.04	.10
AC-FT	198	328	555	340	702	180	466	754	110	41	24	25
CAL YEAR 1998	TOTAL	544.92	MEAN	5.92	MAX	25	MIN	.53	AC-FT	1,080		
WTR YEAR 1999	TOTAL	1,877.29	MEAN	5.14	MAX	64	MIN	.04	AC-FT	3,720		

# RUNOFF – DAILY DISCHARGE

WESTERN HYDROLOGIC SYSTEMS - (916) 885-2480

F218-R

SAN DIMAS WASH BELOW PUDDINGSTONE DIVERSION

DAILY DISCHARGE IN CUBIC FEET PER SECOND WATER YEAR OCT 1998 TO SEP 1999

Day	OCT	NOV	DEC	JAN	FEB	MAR	APR	MAY	JUN	JUL	AUG	SEP
1	2.8	.42	.30	.59	.91	0	0	0	0	0	0	0
2	.32	.44	1.6	.64	8.9	0	0	0	4.6	0	0	0
3	.05	.38	1.3	.70	10	0	0	.63	6.5	0	0	0
4	0	.34	1.2	.77	11	0	0	4.4	6.3	.27	0	0
5	0	.37	.95	5.6	7.1	0	0	4.1	6.1	.37	0	0
6	0	.34	.71	8.7	1.1	0	0	2.5	5.8	0	0	0
7	0	.33	.44	7.6	.66	0	0	0	5.6	0	0	0
8	4.5	.34	5.1	2.1	.66	0	0	0	5.4	0	0	0
9	5.6	.33	4.0	.83	.66	0	0	0	5.2	.09	0	0
10	2.6	.33	3.3	.77	1.3	0	0	1.7	4.9	.50	0	0
11	3.1	.29	.62	.67	9.9	0	0	5.1	4.8	.44	0	0
12	2.4	.21	.32	.75	9.0	0	9.3	5.2	4.6	.44	0	0
13	.54	.11	.33	.99	1.5	0	15	5.1	4.3	.46	0	0
14	.44	.11	.33	.99	.64	0	14	1.6	2.2	.11	0	0
15	.33	.31	2.0	1.0	.66	0	15	0	13	0	0	0
16	.31	.33	4.6	1.1	4.2	0	4.9	0	6.5	0	0	0
17	.27	.33	3.4	1.2	12	0	0	0	1.1	0	0	0
18	.30	.24	.52	1.1	13	0	0	0	1.1	0	0	0
19	.33	.11	.38	1.1	6.6	0	7.3	0	1.0	0	0	0
20	.29	.11	.44	5.8	.36	0	18	0	1.0	0	0	0
21	.61	.11	1.5	12	.30	0	20	12	1.0	0	0	0
22	4.2	.11	9.3	2.3	5.1	0	25	19	.99	0	0	0
23	4.4	.11	7.5	.99	15	0	8.6	16	.94	0	0	0
24	5.1	.11	.99	.99	16	0	0	5.3	.62	0	0	0
25	3.6	.11	.43	1.0	11	0	0	0	.41	0	0	0
26	1.5	.11	.44	1.0	0	0	0	0	.49	0	0	0
27	.51	.11	.44	.92	0	0	0	0	.05	0	0	0
28	.41	.11	.66	.91	0	0	0	0	0	0	0	0
29	.44	.11	7.4	.90	-----	0	0	0	0	0	0	0
30	.39	.11	6.7	.88	-----	0	0	0	0	0	0	0
31	.41	-----	1.2	.88	-----	0	-----	0	-----	0	0	-----
TOTAL	45.75	6.87	68.40	65.77	147.55	0	137.1	82.63	94.50	2.68	0	0
MEAN	1.48	.23	2.21	2.12	5.27	0	4.57	2.67	3.15	.086	0	0
MAX	5.6	.44	9.3	12	16	0	25	19	13	.50	0	0
MIN	0	.11	.30	.59	0	0	0	0	0	0	0	0
AC-FT	91	14	136	130	293	0	272	164	187	5.3	0	0
CAL YEAR 1998	TOTAL	121.02	MEAN	1.32	MAX	9.3	MIN	0	AC-FT	241		
WTR YEAR 1999	TOTAL	651.25	MEAN	1.78	MAX	25	MIN	0	AC-FT	1,290		

# RUNOFF – DAILY DISCHARGE

WESTERN HYDROLOGIC SYSTEMS - (916) 885-2480

F42B-R      SAN GABRIEL RIVER ABOVE SPRING

DAILY DISCHARGE IN CUBIC FEET PER SECOND WATER YEAR OCT 1998 TO SEP 1999

Day	OCT	NOV	DEC	JAN	FEB	MAR	APR	MAY	JUN	JUL	AUG	SEP
1	69	110	131	180	124	82	83	77	165	186	171	184
2	68	109	105	181	118	67	83	77	227	211	182	195
3	63	106	106	176	116	69	75	70	160	211	167	190
4	66	104	160	175	119	69	71	74	123	199	189	192
5	70	112	154	142	124	71	69	73	122	198	192	177
6	73	116	193	130	118	80	134	104	106	215	194	173
7	80	124	157	121	114	77	109	123	114	214	183	182
8	88	195	160	130	114	82	75	125	117	210	162	187
9	80	118	162	140	157	95	72	114	156	198	172	187
10	85	74	161	137	124	99	73	115	234	181	175	182
11	97	79	159	145	118	103	290	124	212	172	185	191
12	99	70	165	149	121	105	233	122	187	169	192	197
13	103	66	159	157	120	108	161	124	168	164	195	204
14	121	68	172	156	112	112	162	121	166	169	203	206
15	118	55	188	158	115	192	155	130	130	172	199	207
16	114	52	194	162	116	91	155	120	95	169	214	215
17	123	65	193	155	85	86	148	127	101	170	212	222
18	135	65	204	154	64	75	137	137	103	157	198	219
19	123	56	204	146	66	76	85	142	100	107	215	203
20	138	54	196	165	68	91	64	145	86	86	222	204
21	141	74	209	107	64	76	66	156	100	162	221	196
22	145	76	217	84	62	72	66	164	109	156	196	186
23	137	77	219	78	77	75	67	158	140	160	213	159
24	145	81	224	75	64	76	68	162	147	155	208	144
25	145	85	209	133	63	160	69	174	147	154	200	141
26	158	95	216	160	67	144	68	148	155	165	200	121
27	156	85	207	162	74	137	71	103	141	166	190	130
28	137	148	221	130	72	121	72	144	151	162	182	138
29	118	79	209	126	-----	90	70	133	158	161	168	137
30	107	80	209	126	-----	62	70	133	170	163	176	140
31	96	-----	202	146	-----	67	-----	145	-----	178	177	-----
TOTAL	3,398	2,678	5,665	4,386	2,756	2,910	3,121	3,864	4,290	5,340	5,953	5,409
MEAN	110	89.3	183	141	98.4	93.9	104	125	143	172	192	180
MAX	158	195	224	181	157	192	290	174	234	215	222	222
MIN	63	52	105	75	62	62	64	70	86	86	162	121
AC-FT	6,740	5,310	11,240	8,700	5,470	5,770	6,190	7,660	8,510	10,590	11,810	10,730
CAL YEAR 1998	TOTAL	11,741	MEAN	128	MAX	224	MIN	52	AC-FT	23,290		
WTR YEAR 1999	TOTAL	49,770	MEAN	136	MAX	290	MIN	52	AC-FT	98,720		

# RUNOFF – DAILY DISCHARGE

WESTERN HYDROLOGIC SYSTEMS - (916) 885-2480

G44B-R      SAN GABRIEL RIVER AT WND.

DAILY DISCHARGE IN CUBIC FEET PER SECOND WATER YEAR OCT 1998 TO SEP 1999

Day	OCT	NOV	DEC	JAN	FEB	MAR	APR	MAY	JUN	JUL	AUG	SEP
1	0	0	0	0	0	0	0	0	0	0	0	0
2	0	0	0	0	0	0	0	0	100	0	0	0
3	0	0	0	0	0	0	0	0	0	0	0	0
4	0	0	0	0	0	0	0	0	0	0	0	0
5	0	0	0	0	29	0	0	0	0	0	0	0
6	0	0	0	0	0	0	60	0	0	0	0	0
7	0	0	0	0	0	0	16	0	0	0	0	0
8	0	355	0	0	0	0	0	0	0	0	0	0
9	0	0	0	0	47	0	0	0	0	0	0	0
10	0	0	0	0	0	0	0	0	0	0	0	0
11	0	0	0	0	0	0	103	0	0	0	0	0
12	0	0	0	0	0	0	53	0	0	0	0	0
13	0	0	0	0	0	0	0	0	0	0	0	0
14	0	0	0	0	0	0	0	0	0	0	0	0
15	0	0	0	0	0	51	0	0	0	0	0	0
16	0	0	0	0	0	0	0	0	0	0	0	0
17	0	0	0	0	0	0	0	0	0	0	0	0
18	0	0	0	0	0	0	0	0	0	0	0	0
19	0	0	0	0	0	0	0	0	0	0	0	0
20	0	0	0	0	0	0	0	0	0	0	0	0
21	0	0	0	0	0	0	0	0	0	0	0	0
22	0	0	0	0	0	0	0	0	0	0	0	0
23	0	0	0	0	0	0	0	0	0	0	0	0
24	0	0	0	0	0	0	0	0	0	0	0	0
25	0	0	0	71	0	0	0	0	0	0	0	0
26	0	0	0	282	0	0	0	0	0	0	0	0
27	0	0	0	85	0	0	0	0	0	0	0	0
28	0	326	0	0	0	0	0	0	0	0	0	0
29	0	2.9	0	0	-----	0	0	0	0	0	0	0
30	0	0	0	0	-----	0	0	0	0	0	0	0
31	0	-----	0	0	-----	0	-----	0	-----	0	0	-----
TOTAL	0	683.9	0	438	76	51	232	0	100	0	0	0
MEAN	0	22.8	0	14.1	2.71	1.65	7.73	0	3.33	0	0	0
MAX	0	355	0	282	47	51	103	0	100	0	0	0
MIN	0	0	0	0	0	0	0	0	0	0	0	0
AC-FT	0	1,360	0	869	151	101	460	0	198	0	0	0
CAL YEAR 1998	TOTAL	683.9	MEAN	7.43	MAX	355	MIN	0	AC-FT	1,360		
WTR YEAR 1999	TOTAL	1,580.9	MEAN	4.33	MAX	355	MIN	0	AC-FT	3,140		

AS OF 10/07/99



# RUNOFF – DAILY DISCHARGE

WESTERN HYDROLOGIC SYSTEMS - (916) 885-2480

E281

SANTA FE DAM OUTFLOW

DAILY DISCHARGE IN CUBIC FEET PER SECOND WATER YEAR OCT 1998 TO SEP 1999

Day	OCT	NOV	DEC	JAN	FEB	MAR	APR	MAY	JUN	JUL	AUG	SEP
1	0	0	0	0	0	0	0	0	0	76	.36	.85
2	0	0	0	0	0	0	0	0	0	30	110	0
3	0	0	0	0	0	46	0	0	0	.66	60	.40
4	0	0	0	0	0	77	0	0	0	0	.35	.88
5	0	0	0	0	0	82	0	0	0	0	.35	.77
6	0	0	0	0	0	102	0	0	0	0	.59	.93
7	0	0	0	0	0	112	0	0	0	0	.51	155
8	0	0	0	0	0	38	0	0	0	0	.65	122
9	0	0	0	0	0	0	0	0	0	0	111	0
10	0	0	0	0	0	0	0	0	0	0	59	0
11	0	0	0	0	0	0	0	0	0	0	0	.14
12	0	0	0	0	0	0	0	0	0	0	0	.57
13	0	0	0	0	0	0	0	0	0	0	0	137
14	0	0	0	0	0	0	0	0	0	0	0	251
15	0	0	0	0	0	0	0	0	0	0	0	59
16	0	0	0	0	0	0	0	0	0	0	125	.61
17	0	0	0	0	0	0	0	0	0	0	68	.48
18	0	0	0	0	0	0	0	0	0	0	1.3	.34
19	0	0	0	0	0	0	0	0	0	0	.03	.42
20	0	0	0	0	0	0	0	0	0	2.4	0	.70
21	0	0	0	0	0	0	0	0	0	45	0	.84
22	0	0	0	0	0	0	0	0	0	61	0	.68
23	0	0	0	0	0	0	0	0	0	54	108	.84
24	0	0	0	0	0	0	0	0	0	99	156	.99
25	0	0	0	0	0	0	0	0	0	35	.76	1.4
26	0	0	0	0	0	0	0	0	0	0	0	1.4
27	0	0	0	0	0	0	0	0	0	0	0	1.1
28	0	0	0	0	0	0	0	0	0	0	0	1.1
29	0	0	0	0	-----	0	0	0	0	0	0	1.1
30	0	0	0	0	-----	0	0	0	0	0	105	1.1
31	0	-----	0	0	-----	0	-----	0	-----	0	134	-----
TOTAL	0	0	0	0	0	457	0	0	0	403.06	1,040.90	741.64
MEAN	0	0	0	0	0	14.7	0	0	0	13.0	33.6	24.7
MAX	0	0	0	0	0	112	0	0	0	99	156	251
MIN	0	0	0	0	0	0	0	0	0	0	0	0
AC-FT	0	0	0	0	0	906	0	0	0	799	2,060	1,470

CAL YEAR 1998	TOTAL*	0.00	MEAN	0	MAX	0	MIN	0	AC-FT	0
WTR YEAR 1999	TOTAL	2,642.60	MEAN	7.24	MAX	251	MIN	0	AC-FT	5,240

\* Incomplete Record Record as up 10/07/99  
MB

# RUNOFF – DAILY DISCHARGE

WESTERN HYDROLOGIC SYSTEMS - (916) 885-2480

U8-R

SAN GABRIEL RIVER BELOW MORRIS DAM

DAILY DISCHARGE IN CUBIC FEET PER SECOND WATER YEAR OCT 1998 TO SEP 1999

Day	OCT	NOV	DEC	JAN	FEB	MAR	APR	MAY	JUN	JUL	AUG	SEP
1	28	31	70	0	3.0	187	231	2.4	2.6	3.2	3.1	131
2	36	68	70	0	3.0	250	39	2.4	3.1	3.4	3.2	182
3	37	68	70	0	3.0	87	6.0	2.4	2.8	3.5	3.2	115
4	37	68	70	0	3.0	6.0	6.0	2.4	2.7	3.6	124	3.3
5	37	88	70	0	3.0	6.0	6.0	2.5	2.7	3.5	185	3.2
6	37	98	70	.50	3.0	6.0	6.0	2.5	2.7	3.6	123	3.1
7	37	98	70	.50	3.0	6.0	6.0	2.5	2.8	3.6	3.4	86
8	44	98	70	.50	3.0	47	6.0	2.5	2.8	3.6	3.4	197
9	45	98	70	.50	3.0	6.0	6.0	2.5	2.9	3.6	3.4	197
10	45	98	70	.50	3.0	6.0	6.0	2.5	3.0	3.6	83	110
11	45	98	65	.50	4.0	6.0	6.0	2.5	3.1	3.6	185	3.3
12	45	98	70	.50	4.0	6.0	6.0	2.5	3.2	3.5	185	3.1
13	45	98	70	.50	4.0	6.0	166	2.6	3.2	3.5	106	3.0
14	35	98	68	.50	4.0	6.0	250	2.6	3.2	61	3.4	80
15	40	98	10	.50	4.0	5.0	42	2.6	3.2	187	3.4	182
16	40	98	27	.50	4.0	5.0	4.0	2.6	3.2	118	3.4	181
17	40	108	0	.50	4.0	5.0	4.0	2.6	3.2	3.0	81	69
18	66	101	0	.50	4.0	4.0	4.0	2.6	3.3	3.0	185	3.2
19	50	101	0	.50	4.0	4.0	4.0	2.6	3.4	115	237	3.2
20	50	101	0	.50	4.0	3.0	4.0	2.7	3.4	180	134	3.2
21	44	101	0	.50	5.0	3.0	4.0	2.7	3.4	72	5.5	81
22	44	101	0	.50	5.0	2.0	4.0	2.7	3.5	3.0	5.4	113
23	44	38	0	.50	5.0	2.0	4.0	2.7	3.6	3.0	5.3	3.3
24	39	43	0	.50	5.0	2.0	4.0	2.7	3.8	3.0	84	3.2
25	44	60	0	.50	5.0	2.0	4.0	2.6	3.9	3.0	185	3.2
26	44	20	0	.50	5.0	1.0	2.4	2.6	4.0	69	185	3.2
27	50	0	0	10	5.0	1.0	2.4	2.6	4.0	183	105	3.2
28	60	63	0	1.0	5.0	1.0	2.4	2.6	3.9	69	3.3	124
29	45	40	0	1.0	-----	1.0	2.4	2.6	3.8	3.1	3.2	116
30	45	69	0	2.0	-----	29	2.4	2.5	3.4	3.0	3.1	3.2
31	45	-----	0	2.0	-----	145	-----	2.5	-----	3.0	3.0	-----
TOTAL	1,343	2,347	1,010	26.50	110.0	846.0	840.0	79.3	97.8	1,126.9	2,245.7	2,011.9
MEAN	43.3	78.2	32.6	.85	3.93	27.3	28.0	2.56	3.26	36.4	72.4	67.1
MAX	66	108	70	10	5.0	250	250	2.7	4.0	187	237	197
MIN	28	0	0	0	3.0	1.0	2.4	2.4	2.6	3.0	3.0	3.0
AC-FT	2,660	4,660	2,000	53	218	1,680	1,670	157	194	2,240	4,450	3,990
CAL YEAR 1998	TOTAL*	4,700.00	MEAN	51.1	MAX	108	MIN	0	AC-FT	9,320		
WTR YEAR 1999	TOTAL	12,084.10	MEAN	33.1	MAX	250	MIN	0	AC-FT	23,970		

\* Incomplete Record SAN GABRIEL RIVER BELOW MORRIS DAM OUTFLOW STATION U-8R AXSYS RECORDER DATA ARE BASE ON DAM RECORD AND WEEKLY VISITATION RECORD. THE SLUCING MADE FROM MORRIS DAM CAUSED THE STATION COMMUNICATION HOLES TO PLUG UP WITH MUD AND SAND. DATA FROM 05-13-99 TO PRESENT ARE ACTUAL FLOW AFTER CLEANED OUT BY FLOOD MAINTENANCE.

## RUNOFF – DAILY DISCHARGE

WESTERN HYDROLOGIC SYSTEMS - (916) 885-2480

F261C-R SAN GABRIEL RIVER @ VALLEY

DAILY DISCHARGE IN CUBIC FEET PER SECOND WATER YEAR OCT 1998 TO SEP 1999

Day	OCT	NOV	DEC	JAN	FEB	MAR	APR	MAY	JUN	JUL	AUG	SEP
1	0	0	0	0	0	.40	0	.30	0	0	0	0
2	0	0	0	0	6.0	.30	0	.70	7.7	0	0	0
3	0	0	0	0	15	.30	0	1.1	6.0	0	0	0
4	0	0	0	0	15	.30	0	1.5	5.0	0	0	0
5	0	0	0	0	6.0	.30	0	1.4	5.0	0	0	0
6	0	0	0	0	5.0	.30	0	1.3	4.0	0	0	0
7	0	0	0	0	4.0	.20	0	1.2	3.0	0	0	0
8	0	0	0	0	3.0	.20	0	1.1	34	0	0	0
9	0	0	0	0	.70	.20	0	1.0	15	0	0	0
10	0	0	0	0	11	.20	0	.80	0	0	0	0
11	0	0	0	0	30	.10	0	.70	0	0	0	0
12	0	0	0	0	9.0	.10	0	.60	0	0	0	33
13	0	0	0	0	.70	0	0	.50	0	0	0	57
14	0	0	0	0	.70	0	0	.40	0	0	0	0
15	0	0	0	0	.60	0	0	.30	0	0	0	0
16	0	0	0	0	.60	0	0	.20	0	0	0	0
17	0	0	0	0	.60	0	0	.10	0	0	0	0
18	0	0	0	0	.50	0	0	0	0	0	0	0
19	0	0	0	0	.50	0	0	0	0	0	0	0
20	0	0	0	0	.50	0	0	0	0	0	0	0
21	0	0	0	0	.50	0	0	0	0	0	0	0
22	0	0	0	0	.50	0	0	0	0	0	0	0
23	0	0	0	0	.50	0	0	0	0	0	0	0
24	0	0	0	0	.40	0	0	0	0	0	0	0
25	0	0	0	64	.40	0	0	0	0	0	0	0
26	0	0	0	0	.40	0	0	0	0	0	0	0
27	0	0	0	110	.40	0	0	0	0	0	0	0
28	0	0	0	105	.40	0	0	0	0	0	0	0
29	0	0	0	60	-----	0	0	0	0	0	0	0
30	0	0	0	8.0	-----	0	0	0	0	0	0	0
31	0	-----	0	3.7	-----	0	-----	0	-----	0	0	-----
TOTAL	0	0	0	350.7	112.90	2.90	0	13.20	79.7	0	0	90
MEAN	0	0	0	11.3	4.03	.094	0	.43	2.66	0	0	3.00
MAX	0	0	0	110	30	.40	0	1.5	34	0	0	57
MIN	0	0	0	0	0	0	0	0	0	0	0	0
AC-FT	0	0	0	696	224	5.8	0	26	158	0	0	179
CAL YEAR 1998	TOTAL	0.00	MEAN	0	MAX	0	MIN	0	AC-FT	0		
WTR YEAR 1999	TOTAL	649.40	MEAN	1.78	MAX	110	MIN	0	AC-FT	1,290		

Flow from January through June 99 were obtained from field's book  
Data as up 10/07/99 MB

# RUNOFF – DAILY DISCHARGE

WESTERN HYDROLOGIC SYSTEMS - (916) 885-2480

F190-R SAN GABRIEL RIVER @ FOOTHILL BLVD.

DAILY DISCHARGE IN CUBIC FEET PER SECOND WATER YEAR OCT 1998 TO SEP 1999

Day	OCT	NOV	DEC	JAN	FEB	MAR	APR	MAY	JUN	JUL	AUG	SEP
1	25	27	59	2.0	1.0	162	132	1.0	.50	19	5.2	113
2	31	57	59	2.0	1.0	212	44	1.0	1.0	19	5.2	156
3	32	57	59	2.0	2.0	79	.50	1.0	1.0	19	5.2	99
4	32	57	59	2.0	2.0	8.0	.50	.54	1.0	19	107	5.3
5	32	74	59	2.0	2.0	7.0	.50	0	.51	19	158	5.2
6	32	82	59	2.0	3.0	6.0	.50	.20	.56	19	106	5.0
7	32	82	59	2.0	3.0	5.0	.50	.50	.56	19	5.3	75
8	38	82	59	2.0	3.0	45	.50	.60	.67	7.0	5.3	168
9	38	82	59	2.0	5.0	.50	.50	.80	.51	7.3	5.2	168
10	38	82	59	2.0	5.0	.50	.50	1.0	.55	7.4	72	95
11	38	82	55	2.0	5.0	.50	.50	1.0	.55	7.5	158	5.0
12	38	82	59	2.0	5.0	.50	.50	1.0	.50	7.5	158	4.8
13	38	82	59	2.0	5.0	.50	146	1.2	.50	7.0	91	4.6
14	30	82	57	2.0	5.0	.50	216	1.4	.50	55	5.1	69
15	34	82	0	15	4.0	.50	77	1.6	.50	161	5.1	155
16	34	82	23	2.0	4.0	.50	.50	1.8	1.0	103	5.1	154
17	34	90	0	2.0	4.0	.50	.50	2.0	1.0	6.3	70	60
18	56	84	0	2.0	4.0	.50	.50	.50	.50	6.4	158	4.6
19	42	84	0	2.0	4.0	.50	.50	3.6	.50	101	201	4.5
20	42	84	0	2.0	4.0	.50	.40	3.1	.50	155	115	4.5
21	130	84	0	2.0	4.0	.50	.40	2.6	.50	64	6.7	70
22	37	84	0	2.0	3.0	1.0	.40	2.0	.50	5.6	6.6	94
23	37	33	0	2.0	3.0	1.0	.40	1.5	.50	5.5	6.5	4.6
24	37	37	0	2.0	3.0	1.0	.40	1.0	3.8	5.4	73	4.5
25	33	50	0	2.0	3.0	1.0	.40	1.0	7.1	5.2	158	4.6
26	37	18	0	2.0	3.0	1.0	.40	1.0	8.8	61	158	4.6
27	37	0	0	2.0	3.0	1.0	.50	1.0	11	156	91	4.7
28	42	53	0	2.0	3.0	1.0	.50	1.0	12	61	5.4	50
29	51	34	0	2.0	-----	1.0	.50	1.0	12	5.3	5.4	20
30	38	59	0	1.0	-----	1.0	.50	1.0	12	5.2	5.5	5.2
31	38	-----	0	1.0	-----	74	-----	1.0	-----	5.1	5.3	-----
TOTAL	1,233	1,968	843	73.0	96.0	613.50	626.80	37.94	81.11	1,143.7	1,962.1	1,617.7
MEAN	39.8	65.6	27.2	2.35	3.43	19.8	20.9	1.22	2.70	36.9	63.3	53.9
MAX	130	90	59	15	5.0	212	216	3.6	12	161	201	168
MIN	25	0	0	1.0	1.0	.50	.40	0	.50	5.1	5.1	4.5
AC-FT	2,450	3,900	1,670	145	190	1,220	1,240	75	161	2,270	3,890	3,210
CAL YEAR 1998	TOTAL	4,044.00	MEAN	44.0	MAX	130	MIN	0	AC-FT	8,020		
WTR YEAR 1999	TOTAL	10,295.85	MEAN	28.2	MAX	216	MIN	0	AC-FT	20,420		

ALL DATA SHOWN ABOVE ARE BASE ON UP-STREAM STATION BECAUSE OF THE STATION RE-CORDER COMMUN. LINE WAS PLUG UP WITH MUD, CAUSED BY THE SLUCING FROM MORRIS DAM.

## RUNOFF – DAILY DISCHARGE

WESTERN HYDROLOGIC SYSTEMS - (916) 885-2480

F263C-R SAN GABRIEL RIVER @ S.G. RIVER PARKWAY

DAILY DISCHARGE IN CUBIC FEET PER SECOND WATER YEAR OCT 1998 TO SEP 1999

Day	OCT	NOV	DEC	JAN	FEB	MAR	APR	MAY	JUN	JUL	AUG	SEP
1	68	108	112	7.8	88	7.6	116	44	45	39	0	.08
2	7.3	122	156	7.6	63	6.5	9.9	41	81	38	0	.12
3	6.5	115	96	7.5	80	6.2	7.8	50	2.7	39	0	.12
4	6.8	119	79	7.5	55	6.5	7.1	43	51	37	0	.12
5	6.3	116	89	7.5	277	5.9	8.7	42	46	35	0	.12
6	5.8	126	174	7.8	27	36	196	28	49	38	0	.12
7	5.4	118	50	7.8	26	40	344	25	51	34	0	.12
8	5.7	294	13	7.9	39	8.6	136	24	63	41	0	.12
9	5.7	115	12	7.9	164	12	56	24	45	32	0	.12
10	5.9	123	11	8.0	128	13	6.6	25	27	54	0	.12
11	5.8	123	11	7.8	40	11	105	20	25	62	0	.12
12	6.0	125	11	7.4	11	11	188	23	28	35	0	.12
13	5.9	116	10	7.4	9.5	13	26	23	31	1.8	0	.12
14	5.5	113	11	7.4	11	29	14	23	28	1.5	0	.12
15	5.7	117	10	7.8	11	274	4.8	24	43	1.5	0	.12
16	6.0	113	9.4	8.4	13	84	4.8	28	67	1.3	0	.13
17	5.7	100	9.3	8.4	45	49	5.1	25	78	1.7	0	.29
18	6.0	19	9.2	10	141	33	5.4	24	91	1.6	0	.20
19	6.2	13	11	9.3	81	79	5.4	24	104	1.7	0	.40
20	6.2	11	48	81	77	80	5.3	25	120	1.3	0	.30
21	7.0	10	15	88	78	94	4.2	23	115	1.4	0	.30
22	7.1	9.6	14	102	47	76	4.2	26	73	1.2	0	.12
23	7.4	9.0	12	98	9.0	9.5	4.5	32	20	1.0	0	.12
24	7.0	8.7	12	98	8.5	25	4.6	29	23	1.2	0	.12
25	6.7	8.4	13	246	8.4	109	4.0	28	26	1.1	0	.12
26	7.2	8.6	13	209	8.7	53	4.0	30	29	1.1	0	.12
27	6.9	8.6	13	185	9.8	46	3.4	48	28	.66	0	.12
28	54	31	13	63	9.6	51	3.3	38	30	.69	0	.12
29	114	39	13	21	-----	67	31	46	29	.28	0	.21
30	114	75	12	9.6	-----	87	70	43	26	.17	0	.21
31	115	-----	9.2	85	-----	85	-----	46	-----	.57	0	-----
TOTAL	628.7	2,413.9	1,071.1	1,436.8	1,565.5	1,507.8	1,385.1	974	1,474.7	505.77	0	4.64
MEAN	20.3	80.5	34.6	46.3	55.9	48.6	46.2	31.4	49.2	16.3	0	.15
MAX	115	294	174	246	277	274	344	50	120	62	0	.40
MIN	5.4	8.4	9.2	7.4	8.4	5.9	3.3	20	2.7	.17	0	.08
AC-FT	1,250	4,790	2,120	2,850	3,110	2,990	2,750	1,930	2,930	1,000	0	9.2
CAL YEAR 1998	TOTAL	4,113.70	MEAN	44.7	MAX	294	MIN	5.4	AC-FT	8,160		
WTR YEAR 1999	TOTAL	12,968.01	MEAN	35.5	MAX	344	MIN	0	AC-FT	25,730		

## RUNOFF – DAILY DISCHARGE

WESTERN HYDROLOGIC SYSTEMS - (916) 885-2480

F209-R SAN GABRIEL RIVER BELOW COGSWELL

DAILY DISCHARGE IN CUBIC FEET PER SECOND WATER YEAR OCT 1998 TO SEP 1999

Day	OCT	NOV	DEC	JAN	FEB	MAR	APR	MAY	JUN	JUL	AUG	SEP
1	25	21	24	18	17	17	16	17	18	16	10	11
2	25	21	11	18	17	17	16	17	18	16	10	11
3	25	21	11	18	17	18	16	17	18	16	10	10
4	24	21	11	18	17	18	16	17	18	16	11	10
5	24	21	18	18	16	17	16	17	18	17	12	10
6	24	21	20	18	16	17	16	17	18	15	12	10
7	24	21	20	18	16	17	16	17	17	12	12	9.4
8	24	21	20	18	16	17	16	17	16	11	12	8.6
9	24	21	19	18	17	17	16	17	15	11	11	39
10	24	21	19	18	16	17	16	17	14	11	11	184
11	24	21	19	18	16	17	16	17	14	11	11	167
12	24	21	19	18	16	17	16	18	14	11	11	91
13	24	21	19	18	16	17	16	20	17	11	11	9.7
14	23	21	19	18	16	17	16	20	21	11	11	6.4
15	23	20	19	18	16	17	16	20	17	11	11	3.8
16	23	20	19	18	16	17	16	18	15	11	11	4.8
17	23	20	19	18	16	17	16	16	15	11	11	4.8
18	23	20	19	18	16	17	16	16	15	11	11	4.6
19	23	20	19	18	16	17	16	16	16	11	11	4.2
20	23	20	19	17	16	17	16	16	17	11	11	4.0
21	23	20	19	17	16	17	16	16	17	11	11	3.7
22	23	20	19	17	16	17	16	16	16	11	11	3.6
23	23	20	18	17	16	17	16	16	16	11	11	3.5
24	22	20	18	17	16	17	17	16	16	12	11	3.2
25	21	19	18	17	16	17	17	16	16	11	11	3.0
26	21	19	18	17	16	16	17	16	16	11	11	2.8
27	21	19	18	17	16	16	17	17	16	11	11	2.6
28	21	20	18	17	16	16	17	18	16	11	11	2.5
29	21	19	18	17	-----	16	17	18	16	11	11	2.5
30	21	19	18	17	-----	16	17	18	16	11	11	2.5
31	21	-----	18	17	-----	16	-----	18	-----	11	11	-----
TOTAL	714	609	563	546	453	523	487	532	492	373	342	633.2
MEAN	23.0	20.3	18.2	17.6	16.2	16.9	16.2	17.2	16.4	12.0	11.0	21.1
MAX	25	21	24	18	17	18	17	20	21	17	12	184
MIN	21	19	11	17	16	16	16	16	14	11	10	2.5
AC-FT	1,420	1,210	1,120	1,080	899	1,040	966	1,060	976	740	678	1,260
CAL YEAR 1998	TOTAL	1,886.0	MEAN	20.5	MAX	25	MIN	11	AC-FT	3,750		
WTR YEAR 1999	TOTAL	6,267.2	MEAN	17.2	MAX	184	MIN	2.5	AC-FT	12,450		

COGSWELL DAM OUTFLOW STATION F209-R STEVEN AXSYS RECORDER DATA AS OF 10-21-99  
BY SOO KHOO.

## RUNOFF – DAILY DISCHARGE

WESTERN HYDROLOGIC SYSTEMS - (916) 885-2480

F262C-R SAN GABRIEL RIVER BELOW FLORENCE

DAILY DISCHARGE IN CUBIC FEET PER SECOND WATER YEAR OCT 1998 TO SEP 1999

Day	OCT	NOV	DEC	JAN	FEB	MAR	APR	MAY	JUN	JUL	AUG	SEP
1	0	0	0	0	0	0	0	0	0	0	0	0
2	0	0	0	0	0	0	4.2	0	0	0	0	0
3	0	0	0	0	0	0	0	0	0	0	0	0
4	0	0	0	0	0	0	0	0	0	0	0	0
5	0	0	0	0	0	0	0	0	0	0	0	0
6	0	0	0	0	0	0	.09	0	0	0	0	0
7	0	0	0	0	0	0	0	0	0	0	0	0
8	0	7.3	0	0	0	0	0	0	0	0	0	0
9	0	19	0	0	0	0	0	0	0	0	0	0
10	0	1.2	0	0	0	0	0	0	0	0	0	0
11	0	12	0	0	0	0	0	0	0	0	0	0
12	0	1.5	0	0	0	0	11	0	0	0	0	0
13	0	1.3	0	0	0	0	0	0	0	0	0	0
14	0	1.1	0	0	0	0	0	0	0	0	0	0
15	0	.02	0	0	0	0	0	0	0	0	0	0
16	0	0	0	0	0	0	0	0	0	0	0	0
17	0	0	0	0	0	0	0	0	0	0	0	0
18	0	0	0	0	0	0	0	0	0	0	0	0
19	0	0	0	0	0	0	0	0	0	0	0	0
20	0	0	0	0	0	0	0	0	0	0	0	0
21	0	0	0	0	0	0	0	0	0	0	0	0
22	0	0	0	0	0	0	0	0	0	0	0	0
23	0	0	0	0	0	0	0	0	0	0	0	0
24	0	0	0	0	0	0	0	0	0	0	0	0
25	0	0	0	0	0	0	0	0	0	0	0	0
26	0	0	0	0	0	0	0	0	0	0	0	0
27	0	0	0	0	0	0	0	0	0	0	0	0
28	0	0	0	0	0	0	0	0	0	0	0	0
29	0	0	0	0	-----	0	0	0	0	0	0	0
30	0	0	0	0	-----	0	0	0	0	0	0	0
31	0	-----	0	0	-----	0	-----	0	-----	0	-----	0
TOTAL	0	43.42	0	0	0	0	15.29	0	0	0	0	0
MEAN	0	1.45	0	0	0	0	.51	0	0	0	0	0
MAX	0	19	0	0	0	0	11	0	0	0	0	0
MIN	0	0	0	0	0	0	0	0	0	0	0	0
AC-FT	0	86	0	0	0	0	30	0	0	0	0	0
CAL YEAR 1998	TOTAL	43.42	MEAN	.47	MAX	19	MIN	0	AC-FT	86		
WTR YEAR 1999	TOTAL	58.71	MEAN	.16	MAX	19	MIN	0	AC-FT	116		

Missing Data from 01/02 to 01/05, Low battery. Time in quetion was prorated.

# RUNOFF – DAILY DISCHARGE

WESTERN HYDROLOGIC SYSTEMS - (916) 885-2480

F312B-R SAN JOSE CHANNEL BELOW SEVENTH STREET

DAILY DISCHARGE IN CUBIC FEET PER SECOND WATER YEAR OCT 1998 TO SEP 1999

Day	OCT	NOV	DEC	JAN	FEB	MAR	APR	MAY	JUN	JUL	AUG	SEP
1	25	26	33	21	35	19	106	14	7.8	43	6.1	15
2	26	26	19	25	34	22	20	13	101	37	5.1	23
3	29	22	30	24	32	19	24	13	3.4	41	4.4	19
4	30	21	39	21	124	21	24	16	4.1	43	4.1	19
5	25	21	36	20	115	32	24	11	30	40	3.6	22
6	32	22	101	21	35	28	151	15	4.0	44	4.2	19
7	29	25	16	20	34	29	170	11	15	21	4.3	16
8	22	226	16	21	32	19	34	12	32	16	7.4	19
9	21	20	17	23	176	24	34	13	26	29	4.5	15
10	22	18	15	24	52	27	14	16	30	12	5.2	16
11	24	30	16	23	49	24	162	19	26	10	6.2	16
12	26	19	16	24	47	29	91	26	34	13	4.6	17
13	24	22	17	24	47	30	7.0	20	29	15	4.5	15
14	22	20	14	22	44	19	4.9	19	34	13	4.1	13
15	23	23	15	22	44	20	5.2	23	29	11	5.9	11
16	26	21	13	28	44	20	5.8	18	35	13	6.1	13
17	29	21	16	26	36	22	6.7	19	32	11	4.5	12
18	30	19	17	31	21	25	6.0	15	33	11	4.1	14
19	26	16	47	27	21	20	5.4	19	34	11	4.0	16
20	23	17	35	72	23	18	6.1	17	34	11	4.3	12
21	23	18	20	28	22	19	6.1	11	32	10	4.4	11
22	26	13	19	27	19	22	8.4	12	31	11	4.5	11
23	29	15	21	27	23	95	8.4	11	31	9.9	5.6	11
24	28	15	25	24	17	19	12	12	30	9.5	5.6	11
25	27	15	26	153	19	20	9.3	25	29	10	6.2	14
26	28	19	26	314	17	29	5.0	28	29	11	7.2	11
27	26	22	24	59	18	26	3.8	35	32	9.1	8.2	10
28	26	237	22	30	21	21	5.0	40	31	8.7	8.4	8.3
29	24	25	23	28	-----	23	3.8	43	41	10	8.8	8.9
30	23	22	22	26	-----	20	6.2	45	37	10	11	9.7
31	23	-----	21	93	-----	23	-----	30	-----	11	11	-----
TOTAL	797	1,036	777	1,328	1,201	784	969.1	621	896.3	555.2	178.1	427.9
MEAN	25.7	34.5	25.1	42.8	42.9	25.3	32.3	20.0	29.9	17.9	5.75	14.3
MAX	32	237	101	314	176	95	170	45	101	44	11	23
MIN	21	13	13	20	17	18	3.8	11	3.4	8.7	3.6	8.3
AC-FT	1,580	2,050	1,540	2,630	2,380	1,560	1,920	1,230	1,780	1,100	353	849
CAL YEAR 1998	TOTAL	2,610.0	MEAN	28.4	MAX	237	MIN	13	AC-FT	5,170		
WTR YEAR 1999	TOTAL	9,570.6	MEAN	26.2	MAX	314	MIN	3.4	AC-FT	18,970		

As of 10/02/97.E.E.



# RUNOFF – DAILY DISCHARGE

WESTERN HYDROLOGIC SYSTEMS - (916) 885-2480

F119-R SANTA ANITA CREEK BELOW DAM

DAILY DISCHARGE IN CUBIC FEET PER SECOND WATER YEAR OCT 1998 TO SEP 1999

Day	OCT	NOV	DEC	JAN	FEB	MAR	APR	MAY	JUN	JUL	AUG	SEP
1	8.1*	0	7.8	0	0	0	0	0	0	10	0	0
2	0 *	0	15	0	0	0	0	0	0	0	11	0
3	0 *	0	9.4	0	0	0	0	0	0	0	17	0
4	0 *	0	0	9.7	0	0	0	9.7	0	0	17	0
5	0 *	0	0	14	0	0	10	15	0	0	9.8	0
6	0 *	0	0	14	0	0	5.0	8.2	0	0	0	0
7	0 *	0	7.6	8.3	0	0	0	0	10	0	0	0
8	0 *	0	15	0	0	0	0	0	15	0	0	0
9	0 *	0	15	0	0	13	0	0	15	0	0	0
10	0 *	0	9.0	0	8.9	20	0	0	8.5	0	0	0
11	0 *	0	0	0	15	9.2	0	0	0	0	0	0
12	0 *	0	0	0	9.3	15	10	0	0	0	0	0
13	0 *	0	0	0	0	15	15	0	0	0	0	0
14	9.6*	0	10	0	0	15	15	0	0	0	0	0
15	8.8*	0	15	0	0	5.0	15	0	0	0	0	0
16	0 *	0	14	0	10	0	15	0	0	0	0	0
17	0 *	0	4.7	0	14	0	15	10	0	0	0	0
18	0 *	0	0	0	14	0	15	16	0	0	0	0
19	7.5*	0	0	10	13	0	15	15	0	0	0	0
20	14 *	0	0	14	13	0	0	9.5	0	0	0	0
21	14 *	0	9.5	8.5	13	0	0	0	0	0	0	0
22	8.4*	0	14	0	4.2	0	0	0	0	0	0	0
23	0 *	0	4.5	0	0	0	0	0	0	0	0	0
24	0 *	0	0	0	0	0	0	0	0	0	0	0
25	0 *	0	0	0	0	0	0	0	0	0	0	0
26	13 *	0	0	0	0	0	15	0	0	0	0	0
27	9.4*	0	0	0	0	0	15	0	0	0	0	0
28	14 *	0	0	0	0	0	15	0	11	0	0	0
29	4.5*	0	0	0	-----	0	9.4	0	17	0	0	0
30	0 *	0	0	0	-----	0	0	0	10	0	0	0
31	0 *	-----	0	0	-----	0	-----	0	-----	0	0	-----
TOTAL	111.3	0	150.5	78.5	114.4	92.2	184.4	83.4	86.5	10	54.8	0
MEAN	3.59	0	4.85	2.53	4.09	2.97	6.15	2.69	2.88	.32	1.77	0
MAX	14	0	15	14	15	20	15	16	17	10	17	0
MIN	0	0	0	0	0	0	0	0	0	0	0	0
AC-FT	221	0	299	156	227	183	366	165	172	20	109	0
CAL YEAR 1998	TOTAL	261.8	MEAN	2.85	MAX	15	MIN	0	AC-FT	520		
WTR YEAR 1999	TOTAL	966.0	MEAN	2.65	MAX	20	MIN	0	AC-FT	1,920		

(1) NOV.24TH. 0.47 IS DUE TO SEMI ANNUAL VALVE TEST.  
 (2) NO GAGE HEIGHT RECORD: FOR MONTHES OF OCT, NOV, DEC,AND JAN, FEB. DUE TO

# RUNOFF – DAILY DISCHARGE

WESTERN HYDROLOGIC SYSTEMS - (916) 885-2480

F260C-R SANTA ANITA WASH BELOW FOOTHILL BLVD.

DAILY DISCHARGE IN CUBIC FEET PER SECOND WATER YEAR OCT 1998 TO SEP 1999

Day	OCT	NOV	DEC	JAN	FEB	MAR	APR	MAY	JUN	JUL	AUG	SEP
1	0	0	.31	0	0	0	0	0	0	0	0	.61
2	0	0	.12	0	0	0	0	0	0	0	0	.74
3	0	0	0	0	0	0	0	0	0	0	0	.67
4	0	0	0	0	.01	0	0	0	0	0	0	.61
5	0	0	0	0	.01	0	0	0	0	0	0	.29
6	0	0	.02	0	0	0	1.3	0	0	0	0	.43
7	0	0	0	0	0	0	.17	0	0	0	0	.48
8	0	.39	0	0	0	0	0	0	0	0	0	3.0
9	0	0	0	0	.93	0	0	0	0	0	0	.68
10	0	0	0	0	0	0	0	0	0	0	0	.35
11	0	0	0	0	0	0	.22	0	0	0	0	.84
12	0	0	0	0	0	0	.12	0	0	0	0	.67
13	0	0	0	0	0	0	0	0	0	0	0	.63
14	0	0	0	0	0	0	0	0	0	0	0	.62
15	0	0	0	0	0	.83	0	0	0	0	0	.33
16	0	0	0	0	0	0	0	0	0	0	0	.26
17	0	0	0	0	0	0	0	0	0	0	0	.34
18	0	0	0	0	0	0	0	0	0	0	0	.29
19	0	0	0	0	0	0	0	0	0	0	0	.19
20	0	0	0	.01	0	0	0	0	0	0	0	.08
21	0	0	0	0	0	0	0	0	0	0	0	.44
22	0	0	0	0	0	0	.08	.05	0	.04	0	.27
23	0	0	0	0	0	0	0	.24	.05	.07	0	.25
24	0	0	0	0	0	0	0	0	0	.23	0	.23
25	0	0	0	.14	0	.03	0	0	.90	0	0	.25
26	0	0	0	.93	0	0	0	0	0	0	0	.16
27	0	0	0	0	0	0	0	0	0	0	0	.29
28	0	1.8	0	0	0	0	.04	0	0	0	0	.15
29	0	.22	0	0	-----	0	0	0	.03	0	0	.21
30	0	.20	0	0	-----	0	0	0	.11	0	0	.57
31	0	-----	0	.23	-----	0	-----	0	-----	0	.13	-----
TOTAL	0	2.61	0.45	1.31	0.95	0.86	1.93	0.29	1.09	0.34	0.13	14.93
MEAN	0	.087	.015	.042	.034	.028	.064	.009	.036	.011	.004	.50
MAX	0	1.8	.31	.93	.93	.83	1.3	.24	.90	.23	.13	3.0
MIN	0	0	0	0	0	0	0	0	0	0	0	.08
AC-FT	0	5.2	.9	2.6	1.9	1.7	3.8	.6	2.2	.7	.3	30

CAL YEAR 1998	TOTAL	3.06	MEAN	.033	MAX	1.8	MIN	0	AC-FT	6.1
WTR YEAR 1999	TOTAL	24.89	MEAN	.068	MAX	3.0	MIN	0	AC-FT	50

SANTA ANITA WASH BELOW FOOTHILL BLVD. RUNOFF STATION F260-R AXSYS RECORDER DATA  
AS OF 11-04-99 BY SOO KHOO.

# RUNOFF – DAILY DISCHARGE

WESTERN HYDROLOGIC SYSTEMS - (916) 885-2480

F193B-R SANTA ANITA WASH @ LONGDEN AVE.

DAILY DISCHARGE IN CUBIC FEET PER SECOND WATER YEAR OCT 1998 TO SEP 1999

Day	OCT	NOV	DEC	JAN	FEB	MAR	APR	MAY	JUN	JUL	AUG	SEP
1	0	.09	.91	.41	.20	.54	2.1	.06	.05	.04	0	.76
2	0	.24	.04	.35	.36	.43	.63	0	16	0	.03	1.1
3	0	.07	.29	.28	.11	.51	.53	0	3.6	.03	0	.96
4	0	.21	.27	.33	1.1	1.4	.49	.02	.06	.08	0	1.1
5	.11	.36	.11	.32	5.0	.91	.45	0	.01	.12	.04	.86
6	.40	.05	2.0	.22	2.3	.47	34	.01	0	0	.02	.85
7	.01	.01	.01	.24	.13	.40	13	0	.01	.08	0	.90
8	.01	12	0	.15	.34	.36	3.4	0	.16	.42	.01	.84
9	0	.66	.16	.28	22	1.5	1.0	0	.06	.11	.06	.97
10	0	.03	.79	.89	3.5	.94	.75	.04	.01	.05	.14	.65
11	.02	.78	1.5	.38	1.8	3.1	19	0	0	.18	.05	.99
12	.11	.03	1.9	.19	1.3	2.3	7.1	.59	0	.28	.04	.69
13	.07	.01	.69	.26	1.5	.41	1.1	.41	0	.14	0	.87
14	.01	0	.01	.20	.43	.39	.97	.05	0	.10	.01	.85
15	.08	0	.13	.17	.44	17	.92	.04	.06	.12	0	.85
16	.15	.01	.09	.29	.36	1.5	.71	0	.08	.03	.11	.92
17	.01	.02	.01	.31	.51	.78	.80	0	0	.06	.13	.94
18	0	.01	.03	.18	.43	.72	.71	.09	0	.02	0	1.1
19	0	.11	.22	.32	.36	.52	.64	.04	0	.05	.09	.82
20	.01	.01	.16	2.7	.74	4.5	.70	.02	.04	.06	.03	.68
21	.01	.01	0	.16	.45	.64	.51	.08	.01	.18	.01	1.0
22	.06	0	0	.25	.88	.54	1.9	.88	.01	.18	0	.89
23	.17	.05	.12	.07	.70	.50	1.7	2.1	.11	.20	.06	.87
24	.02	.34	.19	0	.34	.42	.91	.18	.02	.36	.08	1.1
25	.04	.33	.22	9.2	.45	6.6	.75	.29	1.2	.19	.16	1.0
26	1.7	.03	.37	21	.56	.67	.42	.07	.08	.14	.03	.70
27	4.8	.15	.38	.76	.47	.70	0	.10	.11	.03	.03	.95
28	.79	17	1.0	.29	.38	.55	.28	.17	.11	.02	.01	.80
29	.92	1.3	.53	.11	-----	.51	1.0	.01	.06	.01	0	1.0
30	.62	.01	.44	.04	-----	.43	.34	.01	.15	.02	.05	.99
31	.16	-----	.43	9.6	-----	1.2	-----	0	-----	.02	.09	-----
TOTAL	10.28	33.92	13.00	49.95	47.14	51.44	96.81	5.26	22.00	3.32	1.28	27.00
MEAN	.33	1.13	.42	1.61	1.68	1.66	3.23	.17	.73	.11	.041	.90
MAX	4.8	17	2.0	21	22	17	34	2.1	16	.42	.16	1.1
MIN	0	0	0	0	.11	.36	0	0	0	0	0	.65
AC-FT	20	67	26	99	94	102	192	10	44	6.6	2.5	54

CAL YEAR 1998 TOTAL 57.20 MEAN .62 MAX 17 MIN 0 AC-FT 113  
 WTR YEAR 1999 TOTAL 361.40 MEAN .99 MAX 34 MIN 0 AC-FT 717  
 SANTA ANITA WASH @ LONGDEN AVE. RUNOFF STATION F193-R AXSYS RECORDER DATA AS OF  
 11-04-99 BY SOO KHOO.

## RUNOFF – DAILY DISCHARGE

WESTERN HYDROLOGIC SYSTEMS - (916) 885-2480

F92C-R      SANTA CLARA RIVER AT 1-5

DAILY DISCHARGE IN CUBIC FEET PER SECOND WATER YEAR OCT 1998 TO SEP 1999

Day	OCT	NOV	DEC	JAN	FEB	MAR	APR	MAY	JUN	JUL	AUG	SEP
1	10	12	10	11	20	6.4	23	14	25	19	10	11
2	9.7	12	9.4	11	14	9.9	24	11	23	18	11	11
3	11	12	9.4	12	12	6.3	7.1	12	22	17	11	11
4	11	11	11	12	13	10	9.1	16	19	18	5.7	11
5	11	10	10	12	15	18	27	13	21	16	5.9	11
6	11	10	12	11	12	22	45	14	19	12	9.7	11
7	11	9.9	9.7	12	9.0	16	21	16	18	17	10	8.7
8	12	16	12	12	9.0	7.0	20	19	20	8.5	11	7.8
9	12	11	10	13	37	17	14	17	18	7.4	12	9.3
10	12	9.2	12	14	11	16	6.9	18	18	6.5	11	7.7
11	11	9.8	11	12	9.6	19	110	23	18	5.6	13	7.3
12	10	9.1	9.4	13	16	19	84	19	17	6.9	12	6.1
13	8.6	9.2	11	14	14	15	49	20	15	8.2	7.5	6.9
14	8.0	14	11	14	8.0	15	42	25	15	7.4	12	6.7
15	7.8	11	9.9	14	7.0	85	30	20	15	6.4	11	5.9
16	6.6	6.4	10	14	15	22	26	21	15	6.8	11	6.1
17	6.6	8.2	9.8	13	9.0	15	32	21	17	6.9	11	5.4
18	5.8	9.6	10	11	13	16	29	22	17	5.6	9.6	5.5
19	6.2	9.8	11	13	19	16	22	22	18	6.3	11	4.3
20	8.1	10	11	11	21	56	22	22	18	8.0	10	6.7
21	7.5	10	11	13	21	16	35	22	18	7.7	9.6	7.6
22	9.5	11	9.9	12	20	15	25	22	21	9.8	8.8	6.8
23	9.7	11	10	19	23	15	25	22	22	9.4	9.9	8.0
24	11	11	8.0	29	23	17	22	27	21	8.9	10	6.9
25	12	11	12	111	23	18	20	30	21	8.2	10	6.8
26	12	11	11	136	23	14	18	22	22	7.4	10	6.7
27	9.9	11	9.8	28	21	14	17	22	22	8.5	10	5.8
28	9.3	65	9.2	25	16	15	6.3	22	22	9.0	9.7	6.6
29	8.8	15	11	20	-----	12	19	22	19	9.8	8.4	6.5
30	11	12	11	12	-----	14	23	22	18	10	7.7	6.8
31	11	-----	11	134	-----	20	-----	22	-----	9.8	9.8	-----
TOTAL	301.1	378.2	323.5	788	453.6	576.6	853.4	620	574	306.0	309.3	228.9
MEAN	9.71	12.6	10.4	25.4	16.2	18.6	28.4	20.0	19.1	9.87	9.98	7.63
MAX	12	65	12	136	37	85	110	30	25	19	13	11
MIN	5.8	6.4	8.0	11	7.0	6.3	6.3	11	15	5.6	5.7	4.3
AC-FT	597	750	642	1,560	900	1,140	1,690	1,230	1,140	607	613	454
CAL YEAR 1998	TOTAL	1,002.8	MEAN	10.9	MAX	65	MIN	5.8	AC-FT	1,990		
WTR YEAR 1999	TOTAL	5,712.6	MEAN	15.7	MAX	136	MIN	4.3	AC-FT	11,320		

No commn: 7/1-7/31 pds of n/c. 12/21-1/5/99, 1/25-1/26, 2/5-2/9, 2/13-2/15, 2/16-2/17, 3/10-3/11, 4/7-4/8, 4/18-4/20, 5/1-5/4, 5/8-5/11, 5/24-6/30

## RUNOFF – DAILY DISCHARGE

WESTERN HYDROLOGIC SYSTEMS - (916) 885-2480

F280-R      SANTA FE DIVERSION BELOW DAM

DAILY DISCHARGE IN CUBIC FEET PER SECOND WATER YEAR OCT 1998 TO SEP 1999

Day	OCT	NOV	DEC	JAN	FEB	MAR	APR	MAY	JUN	JUL	AUG	SEP
1	0	0	0	0	2.0	56	0	0	0	0	0	0
2	0	0	0	0	.28	113	0	0	0	0	0	0
3	0	0	0	0	.02	67	0	0	0	0	0	0
4	0	0	0	0	0	36	0	0	0	0	0	0
5	0	0	0	0	0	31	41	0	0	0	0	0
6	0	0	0	0	0	11	84	0	0	0	0	0
7	0	0	0	0	0	1.7	5.1	0	0	0	0	0
8	0	0	0	0	2.1	.02	111	0	0	0	0	0
9	0	0	0	0	2.1	0	.10	0	0	0	0	0
10	0	0	0	0	18	0	.12	0	0	0	0	0
11	0	0	0	0	.01	0	.18	0	0	0	0	0
12	0	0	0	0	0	0	.33	0	0	0	0	0
13	0	0	0	0	0	0	.41	0	0	0	0	0
14	0	0	0	0	0	0	.25	0	0	0	0	0
15	0	0	0	0	0	0	.19	0	0	0	0	0
16	0	0	0	0	0	0	.15	0	0	0	0	0
17	0	0	0	0	0	0	.12	0	0	0	0	0
18	0	0	0	0	0	0	.09	0	0	0	0	0
19	0	0	0	0	0	0	.07	0	0	0	0	0
20	0	0	0	0	0	0	71	0	0	0	0	0
21	0	0	0	0	0	0	28	0	0	0	0	0
22	0	0	0	0	0	0	.05	0	0	0	0	0
23	0	0	0	0	0	0	0	0	0	0	0	0
24	0	0	0	0	0	0	0	0	0	0	0	0
25	0	0	0	0	0	0	0	0	0	0	0	0
26	0	0	0	85	0	0	0	0	0	0	0	0
27	0	0	0	13	0	0	.01	0	0	0	0	0
28	0	0	0	5.7	0	0	.02	0	0	0	0	0
29	0	0	0	2.3	-----	0	.02	0	0	0	0	0
30	0	0	0	.35	-----	0	.02	0	0	0	0	0
31	0	-----	0	3.8	-----	0	-----	0	-----	0	0	-----
TOTAL	0	0	0	110.15	24.51	315.72	342.23	0	0	0	0	0
MEAN	0	0	0	3.55	.88	10.2	11.4	0	0	0	0	0
MAX	0	0	0	85	18	113	111	0	0	0	0	0
MIN	0	0	0	0	0	0	0	0	0	0	0	0
AC-FT	0	0	0	218	49	626	679	0	0	0	0	0
CAL YEAR 1998	TOTAL	0.00	MEAN	0	MAX	0	MIN	0	AC-FT	0		
WTR YEAR 1999	TOTAL	792.61	MEAN	2.17	MAX	113	MIN	0	AC-FT	1,570		

Data as of 10/07/99 MB

# RUNOFF – DAILY DISCHARGE

WESTERN HYDROLOGIC SYSTEMS - (916) 885-2480

F125-R SANTIAGO CK. ABOVE LITTLE ROCK CK.

DAILY DISCHARGE IN CUBIC FEET PER SECOND WATER YEAR OCT 1998 TO SEP 1999

Day	OCT	NOV	DEC	JAN	FEB	MAR	APR	MAY	JUN	JUL	AUG	SEP
1	0	0	.03	.88	.74	1.2	.43	.88	0	0	0	0
2	0	0	.02	.68	.51	.11	.44	.62	1.4	0	0	0
3	0	0	.02	.58	.51	.07	.43	.75	1.3	0	0	0
4	0	0	.04	.46	.47	.07	.49	.66	.87	0	0	0
5	0	0	.05	.43	.61	.13	.49	.60	.80	0	0	0
6	0	.02	.50	.51	.66	.39	.66	.50	.84	0	0	0
7	0	.06	.66	.43	.78	1.8	.95	1.3	.01	0	0	0
8	0	.08	.63	.30	.67	1.3	.92	.75	.06	0	0	0
9	0	.09	1.7	.28	.01	.72	.94	.51	.05	0	0	0
10	0	.10	2.8	.25	.85	.67	.84	.18	.04	0	0	0
11	0	.20	2.7	.32	1.1	.57	.98	.20	.03	.13	0	0
12	0	.17	.97	.30	.88	.57	2.4	.12	.03	.06	0	0
13	0	.09	.35	.26	.80	.44	1.7	.10	.02	.54	0	0
14	0	.08	.25	.25	.74	.40	1.9	.09	.01	.04	0	0
15	0	.06	.23	.29	.72	.56	2.1	.12	0	0	0	0
16	0	.05	.19	.37	.65	.48	1.5	.09	0	0	0	0
17	0	.05	.19	.37	.78	.39	1.2	.09	0	0	0	0
18	0	.04	.16	.37	.74	.38	1.1	.10	0	0	0	0
19	0	.07	.13	.35	.68	.35	.94	.08	0	0	0	0
20	0	.08	.10	.29	.65	.40	.85	.15	0	0	0	0
21	0	.07	.06	.22	.65	.48	.84	.21	0	0	0	0
22	0	.05	.07	.18	.65	.40	.84	.38	0	0	0	0
23	0	.05	.15	.20	.69	.35	.83	1.1	0	0	0	0
24	0	.03	.39	.18	.95	.35	.81	1.1	0	0	0	0
25	0	.02	1.2	.45	1.3	.47	.83	.72	0	0	0	0
26	.01	.01	2.2	.53	1.8	.54	.69	.33	0	0	0	0
27	.02	0	2.2	.33	2.3	.40	.67	.14	0	0	0	0
28	.01	.13	1.9	.20	2.1	.37	.80	.08	0	0	0	0
29	.01	.11	1.4	.21	-----	.32	.83	.02	0	0	0	0
30	0	.05	1.2	.28	-----	.34	.93	.03	0	0	0	0
31	0	-----	1.1	.79	-----	.42	-----	.03	-----	0	-----	-----
TOTAL	0.05	1.76	23.59	11.54	23.99	15.44	29.33	12.03	5.46	0.77	0	0
MEAN	.002	.059	.76	.37	.86	.50	.98	.39	.18	.025	0	0
MAX	.02	.20	2.8	.88	2.3	1.8	2.4	1.3	1.4	.54	0	0
MIN	0	0	.02	.18	.01	.07	.43	.02	0	0	0	0
AC-FT	.1	3.5	47	23	48	31	58	24	11	1.5	0	0

CAL YEAR 1998 TOTAL 25.40 MEAN .28 MAX 2.8 MIN 0 AC-FT 51  
 WTR YEAR 1999 TOTAL 123.96 MEAN .34 MAX 2.8 MIN 0 AC-FT 247  
 10/26-2/08, 2/10 @1225-2/10@1525, 5/10-7/14 periods of no commun.

## RUNOFF – DAILY DISCHARGE

WESTERN HYDROLOGIC SYSTEMS - (916) 885-2480

F278-R

SAWPIT CREEK BELOW SAWPIT DAM

DAILY DISCHARGE IN CUBIC FEET PER SECOND WATER YEAR OCT 1998 TO SEP 1999

Day	OCT	NOV	DEC	JAN	FEB	MAR	APR	MAY	JUN	JUL	AUG	SEP
1	2.7	2.5	2.6	2.3	2.3	2.2	2.2	2.3	1.9	2.3	2.4	2.0
2	2.7	2.6	2.6	2.3	2.3	2.2	2.2	2.2	2.8	2.5	2.3	2.0
3	2.7	2.6	2.6	2.3	2.2	2.2	2.2	2.3	2.5	2.6	2.3	1.7
4	2.6	2.5	2.6	2.3	2.3	2.4	2.1	2.2	2.3	1.7	1.9	1.3
5	2.6	2.5	2.6	2.3	2.6	2.3	2.1	2.2	2.2	1.7	1.5	1.3
6	2.5	2.6	2.6	2.2	2.9	2.3	2.7	2.2	2.2	2.2	1.0	1.5
7	2.5	2.6	2.6	2.3	2.5	2.3	2.6	2.2	2.2	1.1	.85	1.7
8	2.3	2.9	2.6	2.3	2.4	2.3	2.4	2.2	2.2	1.8	.74	1.3
9	2.3	2.7	2.5	2.3	3.2	2.3	2.4	2.2	2.2	2.4	.72	1.4
10	2.4	2.6	2.6	2.2	2.8	2.3	2.4	2.3	2.3	1.9	.83	1.6
11	2.4	2.7	2.6	2.3	2.5	2.3	2.6	2.2	2.3	2.1	.97	1.6
12	2.3	2.6	2.5	2.2	2.4	2.3	3.1	2.2	2.2	2.1	1.0	1.5
13	2.4	2.6	2.5	2.3	2.4	2.2	2.6	2.2	2.2	2.2	.95	1.4
14	2.5	2.6	2.3	2.4	2.4	2.2	2.5	2.3	2.1	2.2	1.0	1.4
15	2.6	2.6	2.4	2.3	2.4	2.5	2.4	2.2	2.1	2.1	1.0	1.3
16	2.6	2.6	2.4	2.3	2.4	2.4	2.3	2.2	2.0	2.1	1.0	1.2
17	2.5	2.9	2.4	2.3	2.4	2.3	2.3	2.2	2.0	2.2	1.8	1.3
18	2.5	2.8	2.4	2.3	2.4	2.3	2.2	2.1	2.0	2.2	2.0	1.4
19	2.4	2.5	2.5	2.3	2.4	2.2	2.2	2.2	1.9	2.2	1.9	1.3
20	2.4	2.4	2.5	2.5	2.4	2.3	2.2	2.2	1.9	2.1	1.9	1.3
21	2.4	2.3	2.5	2.4	2.3	2.2	2.3	2.2	1.9	1.9	1.9	1.2
22	2.4	2.3	2.5	2.4	2.3	2.2	2.3	2.3	1.9	2.1	2.0	1.3
23	2.4	2.3	2.6	2.4	2.3	2.2	2.3	2.3	1.8	2.3	1.9	1.3
24	2.4	2.3	2.5	2.5	2.3	2.2	2.4	1.5	1.7	2.2	1.9	1.3
25	2.5	2.3	2.4	3.0	2.3	2.3	2.3	1.7	1.8	2.2	1.8	1.3
26	2.5	2.3	2.4	2.8	2.3	1.8	2.3	2.1	1.8	2.3	1.8	1.3
27	2.6	2.3	2.4	2.6	2.3	1.6	2.2	2.0	1.8	2.3	1.8	1.3
28	2.5	3.0	2.4	2.2	2.3	2.1	2.4	2.0	1.7	2.4	1.8	1.3
29	2.6	2.7	2.4	1.9	-----	2.1	2.3	2.0	1.7	2.4	1.8	1.2
30	2.6	2.6	2.3	2.2	-----	2.1	2.3	2.0	1.6	2.4	1.9	1.3
31	2.6	-----	2.3	2.4	-----	2.1	-----	2.0	-----	2.3	1.8	-----
TOTAL	77.4	76.8	77.1	72.8	68.0	68.7	70.8	66.4	61.2	66.5	48.46	42.3
MEAN	2.50	2.56	2.49	2.35	2.43	2.22	2.36	2.14	2.04	2.15	1.56	1.41
MAX	2.7	3.0	2.6	3.0	3.2	2.5	3.1	2.3	2.8	2.6	2.4	2.0
MIN	2.3	2.3	2.3	1.9	2.2	1.6	2.1	1.5	1.6	1.1	.72	1.2
AC-FT	154	152	153	144	135	136	140	132	121	132	96	84
CAL YEAR 1998	TOTAL	231.30	MEAN	2.51	MAX	3.0	MIN	2.3	AC-FT	459		
WTR YEAR 1999	TOTAL	796.46	MEAN	2.18	MAX	3.2	MIN	.72	AC-FT	1,580		

SAWPIT CREEK BELOW SAWPIT DAM OUTFLOW STATION F278-R AXSYS RECORDER DATA AS OF 11-04-99 BY SOO KHOO.

## RUNOFF – DAILY DISCHARGE

WESTERN HYDROLOGIC SYSTEMS - (916) 885-2480

F194B-R      SAWPIT WASH BELOW LIVE OAK AVE.

DAILY DISCHARGE IN CUBIC FEET PER SECOND WATER YEAR OCT 1998 TO SEP 1999

Day	OCT	NOV	DEC	JAN	FEB	MAR	APR	MAY	JUN	JUL	AUG	SEP
1	.56	.40	1.5	.26	.21	48	.50B	.40B	.56	3.1	.75	1.2
2	.45	.39	.91	.27	.19	142	.50B	.30B	38	10	1.1	1.1
3	.45	.36	1.0	.25	.45	99	.50B	.30B	5.7	15	1.0	1.2
4	.47	.36	1.0	.25	1.4	1.9	.50B	.30B	1.6	9.7	1.1	1.4
5	1.2	.36	.87	.26	4.0	1.4	.50B	.30B	1.4	4.1	1.0	1.1
6	.44	.36	4.2	.26	.35	1.2	43 B	.30B	1.3	4.5	1.1	1.2
7	.42	.36	.83	.25	.19	1.1	87 B	.20B	1.3	1.4	1.1	1.2
8	.45	21	.83	.26	.19	1.0	7.5 B	.20B	1.3	1.3	1.1	1.2
9	.45	.33	.77	.25	26	1.0	114 B	.20B	1.3	.97	1.1	1.2
10	.45	.32	.72	.26	13	.83	2.6 B	.20B	1.4	1.3	1.1	.96
11	.44	.80	.70	.27	.35	.82	2.6 B	.20B	1.3	5.4	1.2	.96
12	.53	.30	.78	.27	.25	.82	2.6 B	.20B	1.3	.90	1.1	.95
13	.49	.30	.77	.26	.22	.82	2.6 B	.62	1.2	.81	1.1	.91
14	.45	.30	.53	.26	.22	.82	2.6 B	.63	.86	.82	1.1	.90
15	.42	.30	.26	.27	.21	42	2.6 B	.56	.34	.84	.95	1.0
16	.39	.33	.27	.28	.22	.32	2.6 B	.54	.34	.88	.89	.90
17	.44	.35	.26	.27	.23	.32	2.6 B	.46	.34	.94	.74	.94
18	.41	.34	.26	.26	.23	.32	2.6 B	.44	.33	.91	.99	1.0
19	.40	.30	1.1	.27	.22	.32	2.6 B	.46	.33	.92	.92	.99
20	.40	.30	.38	2.3	.21	.37	74 B	.46	.32	.95	.92	.91
21	.40	.31	.25	.24	.21	.52	31 B	.34	.34	.92	1.0	.89
22	.41	.30	.25	.25	.20	.52	2.6 B	1.9	.73	.90	1.1	.89
23	.39	.32	.25	.23	.23	.52	2.6 B	1.6	1.2	.90	1.0	.87
24	.41	.32	.25	.24	.24	.52	2.6 B	.27	1.1	.77	.94	.90
25	.42	.32	.25	15	.21	.52	2.6 B	.26	1.1	.81	.88	.92
26	.40	.32	.25	98	.21	.52	2.6 B	.28	1.2	.81	.94	1.0
27	.41	.33	.25	8.2	.21	.47	1.3 B	.34	1.2	.80	.91	1.0
28	.42	27	.26	1.0	.24	.40	.40B	.28	1.1	.84	.92	.97
29	.42	.27	.25	.29	-----	.40	.40B	.27	1.1	.86	.90	.91
30	.42	.43	.25	.20	-----	.40	.40B	.25	1.1	.82	.96	.87
31	.42	-----	.26	16	-----	.40	-----	.26	-----	.77	1.1	-----
TOTAL	14.23	57.78	20.71	146.93	50.09	349.55	400.50	13.32	70.69	73.94	31.01	30.44
MEAN	.46	1.93	.67	4.74	1.79	11.3	13.4	.43	2.36	2.39	1.00	1.01
MAX	1.2	27	4.2	98	26	142	114	1.9	38	15	1.2	1.4
MIN	.39	.27	.25	.20	.19	.32	.40	.20	.32	.77	.74	.87
AC-FT	28	115	41	291	99	693	794	26	140	147	62	60
CAL YEAR 1998	TOTAL	92.72	MEAN	1.01	MAX	27	MIN	.25	AC-FT	184		
WTR YEAR 1999	TOTAL	1,259.19	MEAN	3.45	MAX	142	MIN	.19	AC-FT	2,500		

B: NO GAGE HEIGHT RECORDED, DUE TO SANDED WELL.  
AS OF 11/03/99



**RUNOFF – DAILY DISCHARGE**

WESTERN HYDROLOGIC SYSTEMS - (916) 885-2480

F32B-R THOMPSON CREEK BELOW DAM

DAILY DISCHARGE IN CUBIC FEET PER SECOND WATER YEAR OCT 1998 TO SEP 1999

Day	OCT	NOV	DEC	JAN	FEB	MAR	APR	MAY	JUN	JUL	AUG	SEP
1	0	0	0	0	0	0	0	0	0	0	.13	.13
2	0	0	0	0	0	0	0	0	0	0	.13	.13
3	0	0	0	0	0	0	0	0	0	0	.13	.13
4	0	0	0	0	0	0	0	0	0	0	.13	.13
5	0	0	0	0	0	0	0	0	0	0	.13	.13
6	0	0	0	0	0	0	0	0	0	0	.13	.13
7	0	0	0	0	0	0	0	0	0	0	.13	.13
8	0	0	0	0	0	0	0	0	0	0	.13	.04
9	0	0	0	0	0	0	0	0	0	0	.13	0
10	0	0	0	0	0	0	0	0	0	0	.13	0
11	0	0	0	0	0	0	0	0	0	0	.13	0
12	0	0	0	0	0	0	0	0	0	0	.13	0
13	0	0	0	0	0	0	0	0	0	0	.13	0
14	0	0	0	0	0	0	0	0	0	.08	.13	0
15	0	0	0	0	0	0	0	0	0	.13	.13	0
16	0	0	0	0	0	0	0	0	0	.13	.13	0
17	0	0	0	0	0	0	0	0	0	.13	.13	0
18	0	0	0	0	0	0	0	0	0	.13	.13	0
19	0	0	0	0	0	0	0	0	0	.13	.13	0
20	0	0	0	0	0	0	0	0	0	.13	.13	0
21	0	0	0	0	0	0	0	0	0	.13	.13	0
22	0	0	0	0	0	0	0	0	0	.13	.13	0
23	0	0	0	0	0	0	0	0	0	.13	.13	0
24	0	0	0	0	0	0	0	0	0	.13	.13	0
25	0	0	0	0	0	0	0	0	0	.13	.13	0
26	0	0	0	0	0	0	0	0	0	.13	.13	0
27	0	0	0	0	0	0	0	0	0	.13	.13	0
28	0	0	0	0	0	0	0	0	0	.13	.13	0
29	0	0	0	0	-----	0	0	0	0	.13	.13	0
30	0	0	0	0	-----	0	0	0	0	.13	.13	0
31	0	-----	0	0	-----	0	-----	0	-----	.13	.13	-----
TOTAL	0	0	0	0	0	0	0	0	0	2.29	4.03	0.95
MEAN	0	0	0	0	0	0	0	0	0	.074	.13	.032
MAX	0	0	0	0	0	0	0	0	0	.13	.13	.13
MIN	0	0	0	0	0	0	0	0	0	0	.13	0
AC-FT	0	0	0	0	0	0	0	0	0	4.5	8.0	1.9
CAL YEAR 1998	TOTAL*	0.00	MEAN	0	MAX	0	MIN	0	AC-FT	0		
WTR YEAR 1999	TOTAL	7.27	MEAN	.020	MAX	.13	MIN	0	AC-FT	14		

\* Incomplete Record

# RUNOFF – DAILY DISCHARGE

WESTERN HYDROLOGIC SYSTEMS - (916) 885-2480

F54C-R TOPANGA CREEK ABOVE MOUTH OF CANYON

DAILY DISCHARGE IN CUBIC FEET PER SECOND WATER YEAR OCT 1998 TO SEP 1999

Day	OCT	NOV	DEC	JAN	FEB	MAR	APR	MAY	JUN	JUL	AUG	SEP
1	1.2	.82	1.6	1.2	1.4	.90	1.3	1.4	.70	.49	.55	.89
2	1.2	1.1	1.6	1.1	1.0	.92	1.5	1.4	1.3	.49	.56	.93
3	1.3	1.2	1.2	1.1	.95	.95	1.3	1.5	.97	.49	.56	.94
4	1.2	1.2	1.2	1.1	.93	.96	1.2	1.5	.81	.49	.57	.96
5	1.1	1.2	1.2	1.1	1.1	.98	1.2	1.4	.74	.47	.58	.99
6	1.0	1.2	2.2	1.1	.97	1.0	5.2	1.4	.70	.47	.59	1.0
7	1.1	1.3	1.2	1.1	.95	1.0	5.7	1.3	.70	.47	.60	.98
8	.96	3.9	1.1	1.1	.96	1.0	2.6	1.3	.68	.46	.61	.96
9	.91	1.3	1.1	1.1	4.2	1.1	2.0	1.3	.66	.46	.61	.92
10	.95	1.0	1.0	1.1	2.3	1.1	1.7	1.2	.65	.45	.62	.88
11	.98	1.2	1.0	1.1	1.2	1.2	19	1.2	.65	.45	.63	.85
12	1.0	1.1	1.1	1.1	1.0	1.2	12	1.2	.65	.46	.63	.87
13	1.0	1.0	1.1	1.2	.96	1.2	3.6	1.2	.65	.45	.64	.85
14	.97	1.0	1.0	1.2	.95	1.2	2.6	1.1	.63	.46	.65	.82
15	.98	1.0	1.1	1.2	.95	5.4	2.0	1.0	.58	.46	.60	.85
16	.96	1.0	1.1	1.2	.91	1.9	1.7	1.0	.57	.46	.56	.65
17	.90	1.1	1.1	1.2	.90	1.4	1.5	1.0	.57	.46	.56	.55
18	.86	1.1	1.2	1.2	.88	1.2	1.4	.95	.57	.46	.57	.56
19	.84	1.1	1.2	1.3	.91	1.2	1.3	.95	.56	.48	.59	.57
20	.82	1.1	1.2	1.3	.89	2.2	1.2	.95	.56	.46	.62	.58
21	.85	1.1	1.1	1.2	.88	1.4	1.3	.95	.55	.46	.65	.57
22	.88	1.2	1.1	1.2	.87	1.2	1.3	.95	.56	.46	.68	.60
23	.86	1.2	1.2	1.2	.87	1.2	1.3	.94	.54	.47	.70	.61
24	.81	1.2	1.2	1.1	.88	1.2	1.4	.90	.53	.48	.69	.59
25	.82	1.2	1.2	1.7	.88	5.6	1.3	.87	.51	.50	.70	.58
26	.84	1.3	1.2	2.8	.88	3.1	1.3	.81	.51	.52	.74	.58
27	.88	1.3	1.2	1.9	.89	1.7	1.4	.78	.51	.53	.78	.58
28	.88	4.5	1.2	1.2	.89	1.4	1.4	.76	.51	.54	.77	.58
29	.88	1.7	1.2	1.1	-----	1.3	1.4	.77	.51	.55	.79	.54
30	.88	1.2	1.2	1.1	-----	1.3	1.4	.77	.50	.55	.83	.52
31	.83	-----	1.2	4.0	-----	1.3	-----	.71	-----	.54	.85	-----
TOTAL	29.64	40.82	37.5	41.6	31.35	48.71	83.5	33.46	19.13	14.94	20.08	22.35
MEAN	.96	1.36	1.21	1.34	1.12	1.57	2.78	1.08	.64	.48	.65	.75
MAX	1.3	4.5	2.2	4.0	4.2	5.6	19	1.5	1.3	.55	.85	1.0
MIN	.81	.82	1.0	1.1	.87	.90	1.2	.71	.50	.45	.55	.52
AC-FT	59	81	74	83	62	97	166	66	38	30	40	44
CAL YEAR 1998	TOTAL	107.96	MEAN	1.17	MAX	4.5	MIN	.81	AC-FT	214		
WTR YEAR 1999	TOTAL	423.08	MEAN	1.16	MAX	19	MIN	.45	AC-FT	840		

## RUNOFF – DAILY DISCHARGE

WESTERN HYDROLOGIC SYSTEMS - (916) 885-2480

F252-R VERDUGO WASH @ ESTELLE AVE.

DAILY DISCHARGE IN CUBIC FEET PER SECOND WATER YEAR OCT 1998 TO SEP 1999

Day	OCT	NOV	DEC	JAN	FEB	MAR	APR	MAY	JUN	JUL	AUG	SEP
1	8.2	10	21	7.2	7.2	7.7	21	8.0	7.3	4.7	6.2	4.7
2	8.8	8.4	9.2	7.0	7.0	7.3	22	8.1	88	4.7	6.2	4.7
3	8.7	8.6	10	6.9	6.9	8.6	7.1	8.5	33	4.7	6.2	4.4
4	8.7	8.3	8.4	7.7	7.0	9.1	7.1	8.5	8.4	4.7	6.7	4.1
5	8.5	7.6	6.5	7.2	14	7.1	7.1	8.6	7.5	4.7	6.4	4.4
6	8.6	7.3	19	7.6	6.8	7.1	117	8.2	7.2	4.7	6.2	5.3
7	8.6	7.8	9.0	7.8	7.0	7.5	45	8.0	7.8	4.7	6.0	6.2
8	8.8	35	7.8	7.6	8.3	7.1	14	8.0	7.8	4.7	5.8	5.5
9	8.9	8.8	6.9	7.4	87	8.3	7.9	7.7	7.7	5.0	5.0	5.2
10	9.4	7.3	6.9	7.2	8.3	7.2	6.9	7.8	7.5	5.7	4.9	4.7
11	9.3	11	6.7	8.0	7.1	7.2	69	7.7	7.6	5.8	5.4	4.7
12	9.3	7.2	6.9	7.3	6.9	7.1	46	8.0	8.1	5.4	5.4	4.7
13	9.4	7.1	7.0	7.5	6.9	7.5	7.9	7.6	8.8	5.4	5.7	4.7
14	9.6	7.1	6.9	7.5	7.0	7.2	7.2	7.1	8.4	4.8	5.4	4.7
15	11	7.3	7.1	6.9	7.0	85	7.3	7.1	8.6	4.7	5.3	4.7
16	12	7.4	7.2	6.9	7.0	7.5	7.1	7.1	7.8	4.5	4.8	4.8
17	11	7.4	7.6	6.9	7.2	7.2	7.7	7.1	7.8	3.9	5.0	4.7
18	11	8.2	7.3	7.1	7.3	7.0	7.8	6.8	11	3.9	5.0	4.7
19	10	7.4	9.2	7.5	7.3	7.1	8.4	6.5	12	3.6	5.4	4.7
20	9.0	7.4	7.5	19	7.2	38	7.8	6.9	7.0	3.7	5.4	4.7
21	8.9	7.1	7.0	7.0	8.1	7.1	8.3	6.9	7.5	3.9	5.8	5.1
22	8.9	7.1	7.0	7.7	7.8	7.2	8.8	11	7.3	4.2	5.4	5.7
23	8.9	7.4	6.9	7.3	7.9	7.1	12	17	6.7	5.2	5.4	9.1
24	8.8	11	8.2	7.6	8.4	7.0	8.2	7.7	7.0	5.6	5.4	7.6
25	8.6	12	9.3	75	8.9	60	8.0	7.6	6.1	6.2	5.1	6.0
26	8.2	11	9.4	91	8.4	7.4	8.0	7.2	5.4	6.4	4.7	5.7
27	8.2	11	9.5	9.8	8.8	6.9	8.2	7.2	5.4	6.2	5.1	6.2
28	10	103	9.7	7.2	7.6	7.1	8.4	7.3	4.7	6.2	4.7	5.9
29	14	11	8.6	7.0	-----	7.1	8.0	7.1	4.7	6.2	4.7	5.4
30	13	14	7.0	6.9	-----	7.0	8.4	7.2	4.7	6.2	4.7	4.9
31	13	-----	7.0	60	-----	9.1	-----	7.4	-----	6.7	4.7	-----
TOTAL	299.3	381.2	267.7	444.7	296.3	390.8	517.6	246.9	328.8	157.0	168.1	157.9
MEAN	9.65	12.7	8.64	14.3	10.6	12.6	17.3	7.96	11.0	5.06	5.42	5.26
MAX	14	103	21	91	87	85	117	17	88	6.7	6.7	9.1
MIN	8.2	7.1	6.5	6.9	6.8	6.9	6.9	6.5	4.7	3.6	4.7	4.1
AC-FT	594	756	531	882	588	775	1,030	490	652	311	333	313
CAL YEAR 1998 TOTAL		948.2	MEAN	10.3	MAX	103	MIN	6.5	AC-FT	1,880		
WTR YEAR 1999 TOTAL		3,656.3	MEAN	10.0	MAX	117	MIN	3.6	AC-FT	7,260		

# RUNOFF – DAILY DISCHARGE

WESTERN HYDROLOGIC SYSTEMS - (916) 885-2480

F304-R      WALNUT CREEK ABOVE PUENTE AVE.

DAILY DISCHARGE IN CUBIC FEET PER SECOND WATER YEAR OCT 1998 TO SEP 1999

Day	OCT	NOV	DEC	JAN	FEB	MAR	APR	MAY	JUN	JUL	AUG	SEP
1	.03	3.5	1.5	.11	5.6	5.1	1.2	2.2	2.4	2.1	4.0	4.8
2	.03	2.0	1.5	.12	8.7	4.1	.29	1.5	67	2.1	4.0	5.1
3	.09	.75	4.5	2.1	5.2	2.3	.71	1.9	2.5	2.3	4.0	5.3
4	.03	.46	6.0	4.7	23	1.8	.99	1.9	2.2	2.6	4.0	5.2
5	.16	.14	1.2	4.7	47	.72	12	1.6	2.4	2.6	4.0	5.0
6	.03	.67	13	1.9	3.0	.85	103	1.5	2.6	2.4	4.0	5.5
7	.18	.84	.77	.11	2.9	1.3	79	1.2	2.7	2.4	4.2	5.4
8	.03	61	.62	.17	8.4	9.3	6.3	1.7	2.6	3.4	4.0	5.2
9	.03	.86	.55	.11	77	16	2.9	1.4	1.8	3.3	4.0	5.0
10	.04	.88	.40	.07	6.7	13	.63	7.1	1.6	3.3	4.0	5.0
11	.03	1.9	.44	2.9	12	5.5	87	10	1.9	5.9	4.0	5.1
12	.10	.80	.43	4.9	2.6	5.8	35	5.4	2.0	5.7	4.0	5.0
13	.03	.73	.41	2.6	2.6	7.7	6.9	.89	2.2	5.7	4.1	6.1
14	.26	1.1	.36	.16	2.1	8.9	4.0	.87	2.7	6.5	4.3	6.5
15	.03	.68	.07	.49	2.1	65	1.7	.87	2.6	6.3	4.6	6.5
16	.04	.75	.04	.65	7.6	.03	1.8	.76	2.0	6.1	4.7	3.2
17	.03	.61	.05	.57	50	1.1	1.8	5.8	2.2	5.8	4.5	3.8
18	.03	.55	.04	4.1	55	1.6	1.8	9.1	2.1	5.8	4.7	6.3
19	.12	.55	4.8	6.5	3.3	1.5	7.2	4.1	2.0	6.4	4.4	5.6
20	.15	.46	3.9	12	3.6	9.5	13	.72	2.0	6.5	4.8	5.0
21	.07	.55	2.9	1.0	3.4	.01	6.0	6.1	1.9	6.5	4.5	5.7
22	.12	.43	4.8	.66	10	1.8	2.4	11	1.9	6.5	4.5	6.8
23	.02	.45	2.3	.67	17	1.0	3.3	10	1.9	4.3	4.9	7.0
24	.02	.49	.23	.60	12	.87	2.6	7.6	1.8	3.1	4.6	6.8
25	.02	.55	.11	49	7.2	14	2.2	7.8	1.8	3.3	4.3	6.5
26	.12	.44	.11	159	7.5	.11	10	9.1	1.8	3.3	4.1	6.5
27	.02	.44	.10	16	8.8	.03	13	8.7	1.9	3.7	4.6	6.6
28	.12	77	2.4	20	9.7	.03	6.2	9.4	2.0	3.6	4.8	6.6
29	.33	1.4	4.0	27	-----	2.7	1.2	10	1.7	4.2	4.7	6.2
30	1.9	.79	1.9	3.3	-----	4.9	3.1	11	1.7	4.1	4.7	4.8
31	3.9	-----	.12	18	-----	3.3	-----	12	-----	4.0	4.6	-----
TOTAL	8.11	161.77	59.55	344.19	404.0	189.85	417.22	163.21	127.9	133.8	134.6	168.1
MEAN	.26	5.39	1.92	11.1	14.4	6.12	13.9	5.26	4.26	4.32	4.34	5.60
MAX	3.9	77	13	159	77	65	103	12	67	6.5	4.9	7.0
MIN	.02	.14	.04	.07	2.1	.01	.29	.72	1.6	2.1	4.0	3.2
AC-FT	16	321	118	683	801	377	828	324	254	265	267	333
CAL YEAR 1998	TOTAL	229.43	MEAN	2.49	MAX	77	MIN	.02	AC-FT	455		
WTR YEAR 1999	TOTAL	2,312.30	MEAN	6.34	MAX	159	MIN	.01	AC-FT	4,590		

## RUNOFF – DAILY DISCHARGE

WESTERN HYDROLOGIC SYSTEMS - (916) 885-2480

F40-R                      PUDDINGSTONE CREEK BELOW DAM

DAILY DISCHARGE IN CUBIC FEET PER SECOND WATER YEAR OCT 1998 TO SEP 1999

Day	OCT	NOV	DEC	JAN	FEB	MAR	APR	MAY	JUN	JUL	AUG	SEP
1	1.8	1.2	.30	.23	1.5	.46	.47	.68	.87	.93	1.0	1.2
2	1.3	1.2	.30	.21	1.6	.47	.47	.68	1.1	.94	1.1	1.3
3	1.3	1.1	.30	.21	.91	.48	.47	.68	1.0	.94	1.1	1.3
4	1.2	1.2	.30	.20	.50	.47	.47	.68	1.1	.93	1.1	1.2
5	1.3	1.2	.27	.18	.49	.31	.47	.68	1.1	.94	1.1	1.3
6	1.2	1.2	.29	.21	.47	.30	.51	.68	1.1	.93	1.1	1.3
7	1.2	1.2	.27	.21	.47	.30	.53	.71	1.1	.93	1.1	1.3
8	1.1	1.3	.27	.21	.47	.30	.47	.72	.98	.93	1.1	1.3
9	1.1	1.2	.27	.21	.55	.30	.46	.76	.96	.94	1.1	1.3
10	1.2	1.4	.27	.21	25	.30	.47	.63	.94	.93	1.1	1.4
11	1.2	1.4	.26	.20	14	.30	.51	.60	.96	.93	1.1	1.4
12	1.2	1.4	.24	.18	.47	.30	.49	.65	.93	.90	1.1	1.3
13	1.2	1.4	.26	.18	.47	.30	33	.60	.99	.93	1.1	1.3
14	1.2	1.4	.27	.18	.47	.30	15	.58	.97	1.0	1.1	1.4
15	1.2	1.4	.25	.18	.47	.40	.47	.60	.93	1.0	1.1	1.4
16	1.2	1.0	.24	.16	.47	.37	.47	.64	.94	1.0	1.1	1.3
17	1.2	.57	.24	.15	36	.38	.58	.61	.94	1.1	1.1	1.2
18	1.1	.57	.24	.18	21	.39	1.0	.62	.94	1.1	1.1	1.2
19	1.2	.57	.25	.18	.47	.43	.72	.70	.96	.97	1.1	1.2
20	1.1	.50	.26	.19	.47	.47	.68	.63	.93	1.0	1.1	1.2
21	1.2	.47	.25	.18	.47	.44	.66	.68	.95	1.1	1.1	1.2
22	1.2	.47	.27	.18	.47	.40	.69	.69	.94	.95	1.1	1.2
23	1.5	.42	.27	.18	.47	.38	.68	.68	.93	1.1	1.1	1.2
24	1.3	.32	.27	.18	.47	.38	.68	.68	.93	1.1	1.1	1.2
25	1.4	.27	.27	.24	.47	.44	.68	.68	.94	1.1	1.4	1.2
26	1.2	.27	.27	.36	.47	.41	.68	.68	.93	1.1	1.7	1.2
27	1.2	.30	.27	16	.47	.38	.68	.68	.93	1.1	1.8	1.2
28	1.2	.39	.26	35	.47	.41	.68	.68	1.1	1.1	1.5	1.2
29	1.2	.38	.24	13	-----	.42	.68	.68	1.0	1.1	1.2	1.2
30	1.2	.42	.24	1.4	-----	.41	.69	.68	.93	.94	1.2	1.2
31	1.2	-----	.24	1.4	-----	.45	-----	.68	-----	1.0	1.2	-----
TOTAL	38.3	26.12	8.20	71.98	110.01	11.85	64.51	20.62	29.32	30.96	36.3	37.8
MEAN	1.24	.87	.26	2.32	3.93	.38	2.15	.67	.98	1.00	1.17	1.26
MAX	1.8	1.4	.30	35	36	.48	33	.76	1.1	1.1	1.8	1.4
MIN	1.1	.27	.24	15	.47	.30	.46	.58	.87	.90	1.0	1.2
AC-FT	76	52	16	143	218	24	128	41	58	61	72	75
CAL YEAR 1998	TOTAL	72.62	MEAN	.79	MAX	1.8	MIN	.24	AC-FT	144		
WTR YEAR 1999	TOTAL	485.97	MEAN	1.33	MAX	36	MIN	.15	AC-FT	964		

As of 10/02/97.E.E.

# **APPENDIX D**

**RUNOFF – STREAM GAGING STATION PEAK FLOW**

### RUNOFF – STREAM GAGING STATION PEAK FLOW

ALHAMBRA WASH *above* Klingerman Street  
STATION NO. F81D-R

Season	Daily CFS			Total Runoff (Acre-feet)	Peak Inflow	
	Maximum	Minimum	Mean		Date	CFS
1929-30	N.D.	.0	N.D.	635.0	Mar 14	1,870
1930-31	226.0	.0	2.1	1,480.0	Feb 03	1,530
1931-32	220.0	.0	2.7	1,940.0	Jan 31	1,120
1932-33	418.0	.0	2.3	1,680.0	Jan 19	1,850
1933-34	1,770.0	.0	8.0	5,820.0	Jan 01	4,890
1934-35	219.0	.0	3.3	2,380.0	Jan 05	2,280
1935-36	144.0	.0	2.0	1,420.0	Feb 12	1,700
1936-37	309.0	.0	5.4	3,880.0	Mar 15	2,470
1937-38	997.0	.0	7.6	5,520.0	Mar 02	5,010
1938-39	288.0	.0	4.1	2,990.0	Jan 05	2,480
1939-40	130.0	.0	2.4	1,730.0	Feb 01	1,280
1940-41	219.0	.0	7.8	5,650.0	Mar 03	2,080
1941-42	193.0	.0	2.5	1,810.0	Dec 10	2,320
1942-43	893.0	.0	8.4	6,070.0	Mar 04	4,480
1943-44	454.0	+	5.6	4,100.0	Feb 22	1,860
1944-45	199.0	.1	3.1	2,250.0	Nov 11	2,220
1945-46	342.0	.1	4.1	3,000.0	Dec 22	1,600
1946-47	345.0	.1	5.2	3,800.0	Nov 13	3,810
1947-48	155.0	.1	2.8	2,040.0	Mar 24	2,670
1948-49	95.0	.2	2.8	2,020.0	Dec 17	758
1949-50	254.0	.2	4.3	3,090.0	Feb 06	1,630
1950-51	106.0	.2	3.3	2,360.0	Jan 11	1,620
1951-52	594.0	.2	12.5	9,040.0	Jan 16	3,810
1952-53	228.0	.1	4.5	3,240.0	Nov 15	3,140
1953-54	369.0	.2	5.2	3,770.0	Feb 13	2,410
1954-55	185.0	.2	4.2	3,020.0	Jan 18	1,890
1955-56	1,100.0	.3	7.6	5,520.0	Jan 26	4,550
1956-57	242.0	.6	6.1	4,440.0	Feb 23	3,090
1957-58	544.0	.3	12.8	9,270.0	Feb 19	4,830
1958-59	279.0	.2	4.2	3,020.0	Jan 06	3,170
1959-60	200.0	.1	3.8	2,720.0	Jan 11	1,710
1960-61	153.0	.3	2.5	1,790.0	Nov 05	1,480
1961-62	382.0	.1	9.1	6,270.0	Feb 12	2,560
1962-63	359.0	.1	4.0	2,880.0	Mar 16	2,210
1963-64	196.0	.2	4.0	2,870.0	Jan 21	2,210
1964-65	339.0	.1	6.4	4,610.0	Apr 09	3,730
1965-66	686.0	.3	10.7	7,740.0	Nov 24	3,520

M	Data Missing
*	Record incomplete
E	Estimate
N.D.	Not determined
**	Record not Computed
+	Less than 0.05 Acre Feet or less than 0.05 CFS, but greater than 0

### RUNOFF – STREAM GAGING STATION PEAK FLOW

ALHAMBRA WASH *above* Klingerman Street  
STATION NO. F81D-R

Season	Daily CFS			Total Runoff (Acre-feet)	Peak Inflow	
	Maximum	Minimum	Mean		Date	CFS
1966-67	662.0	.4	12.2	8,820.0	Jan 22	3,550
1967-68	398.0	.4	6.5	4,740.0	Mar 08	3,480
1968-69	999.0	.4	17.0	12,300.0	Feb 06	3,980
1969-70	486.0	.3	5.3	1,871.0	Feb 28	3,430
1970-71	648.0	.4	7.1	2,601.0	Nov 29	4,040
1971-72	449.0	.3	2.5	3,000.0	Dec 24	2,000
1972-73	555.0	.3	12.6	9,110.0	Feb 11	4,450
1973-74	813.0	.3	7.9	5,720.0	Jan 07	4,330
1974-75	429.0	.3	5.6	4,070.0	Dec 04	6,000
1975-76	274.0	.3	5.3	3,790.0	Feb 05	1,820
1976-77	252.0	.3	6.0	4,340.0	Oct 22	1,770
1977-78	695.0	.3	17.0	11,927.0	Mar 01	5,950
1978-79	836.0	.3	10.5	7,614.0	Mar 27	4,484
1979-80	1,240.0	.3	18.4	13,051.0	Feb 16	6,660
1980-81	196.0	.1	5.1	3,720.0	Mar 19	2,750
1981-82	371.0	.2	6.0	4,317.0	Mar 17	2,410
1982-83	1,050.0	.1	17.8	12,941.0	Mar 01	7,010
1983-84	235.0	.4	3.7	2,715.0	Dec 25	2,480
1984-85	260.0	.3	4.9	3,543.0	Dec 19	3,050
1985-86	329.0	.3	9.2	6,633.0	Mar 08	4,130
1986-87	177.0	.6	3.6	2,579.0	Oct 02	5,670
1987-88	386.0	.6	7.0	5,048.0	Dec 04	4,500
1988-89	226.0	.9	5.2	3,570.0	Dec 21	1,410
1989-90	530.0	.9	4.8	3,483.0	Feb 17	2,010
1990-91	452.0	.6	7.6	5,437.0	Mar 01	2,700
1991-92	570.0	.7	13.8	10,008.0	Feb 12	6,340
1992-93	796.0	1.0	20.5	14,810.0	Dec 07	5,880
1993-94	260.0	.5	7.1	5,157.0	Mar 24	3,000
1994-95	875.0	.2	14.3	10,380.0	Mar 10	8,080
1995-96	462.0	.4	7.0	5,071.0	Jan 31	8,110
1996-97	279.0	.3	8.7	6,260.0	Jan 15	2,640
1997-98	727.0	.6	20.2	14,660.0	Feb 06	7,770
1998-99	142.0	.3	6.1	4,400.0	Nov 28	3,500

M	Data Missing
*	Record incomplete
E	Estimate
N.D.	Not determined
**	Record not Computed
+	Less than 0.05 Acre Feet or less than 0.05 CFS, but greater than 0



### RUNOFF – STREAM GAGING STATION PEAK FLOW

ARCADIA WASH *below* Grand Avenue  
STATION NO. F317-R

Season	Daily CFS			Total Runoff (Acre-feet)	Peak Inflow	
	Maximum	Minimum	Mean		Date	CFS
1956-57	108.0	.1	1.8	1,340.0	Feb 23	1,184
1957-58	212.0	.1	4.6	3,330.0	Feb 01	1,932
1958-59	127.0	.2	1.9	1,360.0	Jan 06	1,270
1959-60	101.0	.3	1.7	1,220.0	Apr 27	593
1960-61	69.0	+	1.1	831.0	Nov 05	570
1961-62	408.0	.1	4.7	3,400.0	Feb 11	1,480
1962-63	153.0	.2	2.1	1,510.0	Feb 09	600
1963-64	120.0	.1	2.2	1,620.0	Nov 20	1,340
1964-65	153.0	.1	3.1	2,270.0	Apr 09	1,460
1965-66	267.0	.1	4.7	3,430.0	Dec 29	1,270
1966-67	283.0	.3	6.3	4,560.0	Jan 22	1,260
1967-68	M	M	M	M		M
1968-69	M	M	M	M		M
1969-70	M	M	M	M		M
1970-71	M	M	M	M		M
1971-72	M	M	M	M		M
1972-73	M	M	M	M		M
1973-74	279.0	.3	4.0	2,910.0	Jan 07	931
1974-75	207.0	.3	3.2	2,290.0	Dec 04	2,560
1975-76	167.0	.3	3.6	2,600.0	Sep 11	1,400
1976-77	119.0	.2	2.9	2,121.0	Oct 23	1,320
1977-78	355.0	.2	9.4	6,823.0	Feb 10	4,110
1978-79	128.0	.2	4.5	3,263.0	Mar 27	1,290
1979-80	633.0	.0	9.9	7,025.0	Jan 29	3,280
1980-81	104.0	.4	2.8	1,991.0	Jan 29	1,050
1981-82	208.0	.4	4.3	3,137.0	Mar 17	2,470
1982-83	435.0	.4	10.8	7,824.0	Mar 01	4,110
1983-84	121.0	.0	3.2	2,354.0	Oct 01	1,430
1984-85	137.0	.1	4.7	3,399.0	Dec 19	1,420
1985-86	211.0	.0	8.4	6,116.0	Mar 08	1,760
1986-87	172.0	.1	3.5	2,530.0	Oct 02	2,410
1987-88	284.0	.1	5.4	3,915.0	Jan 17	4,360
1988-89	114.0	.1	3.7	2,521.0	Dec 21	502
1989-90	728.0	.1	3.5	2,505.0	Apr 17	1,330
1990-91	228.0	.1	5.0	3,598.0	Feb 28	2,120
1991-92	301.0	.1	11.1	8,043.0	Feb 12	3,190
1992-93	586.0	.3	17.3	12,560.0	Jan 17	2,720

M	Data Missing
*	Record incomplete
E	Estimate
N.D.	Not determined
**	Record not Computed
+	Less than 0.05 Acre Feet or less than 0.05 CFS, but greater than 0

### RUNOFF – STREAM GAGING STATION PEAK FLOW

ARCADIA WASH *below* Grand Avenue  
STATION NO. F317-R

Season	Daily CFS			Total Runoff (Acre-feet)	Peak Inflow	
	Maximum	Minimum	Mean		Date	CFS
1993-94	239.0	.0	6.4	4,661.0	Mar 19	1,360
1994-95	480.0	.1	11.1	8,032.0	Mar 11	2,740
1995-96	405.0	.4	5.2	3,764.0	Feb 20	1,560
1996-97	206.0	.5	6.3	4,540.0	Jan 26	1,430
1997-98	489.0	.6	13.3	9,640.0	Feb 06	2,850
1998-99	151.0	.5	4.2	3,020.0	Jan 26	1,040

M	Data Missing
*	Record incomplete
E	Estimate
N.D.	Not determined
**	Record not Computed
+	Less than 0.05 Acre Feet or less than 0.05 CFS, but greater than 0

### RUNOFF – STREAM GAGING STATION PEAK FLOW

**AZUSA CONDUIT (Sandbox 20' weir)  
STATION NO. F250-R**

Season	Daily CFS			Total Runoff (Acre-feet)	Peak Inflow	
	Maximum	Minimum	Mean		Date	CFS
1934-35	116*	26.1*	81*	36610*		
1935-36	109.0	.0	42.1	30,540.0		
1936-37	94.0	.0	27.3	19,740.0		
1937-38	104.0	.0	15.4	11,160.0		
1938-39	103.0	.0	5.9	4,280.0		
1939-40	94.0	.0	47.4	34,440.0		
1940-41	110.0	.0	23.8	17,220.0		
1941-42	92.0	.0	23.8	39,940.0		
1942-43	106.0	.0	44.6	32,250.0		
1943-44	97.0	.0	59.3	43,050.0		
1944-45	142.0	.0	81.5	59,050.0		
1945-46	139.0	.0	66.3	47,930.0		
1946-47	138.0	.0	73.2	52,990.0		
1947-48	60.0	.0	36.9	26,830.0		
1948-49	70.0	.0	25.0	18,120.0		
1949-50	82.0	20.0	37.4	27,060.0		
1950-51	70.0	.0	11.9	8,610.0		
1951-52	96.0	.0	65.3	47,400.0		
1952-53	89.0	.0	43.7	31,660.0		
1953-54	90.0	.0	38.8	28,070.0		
1954-55	84.0	30.0	50.6	36,610.0		
1955-56	86.0	14.7	49.0	35,580.0		
1956-57	86.0	.0	36.7	26,670.0		
1957-58	103.0	.0	29.7	21,500.0		
1958-59	90.0	12.3	49.2	35,620.0		
1959-60	50.0	5.1	24.6	17,840.0		
1960-61	45.0	.0	12.2	8,830.0		
1961-62	86.0	.0	57.1	41,330.0		
1962-63	82.0	.1	33.9	24,550.0		
1963-64	48.0	8.0	31.0	22,490.0		
1964-65	81.0	.1	35.8	25,900.0		
1965-66	83.0	.0	35.7	25,840.0		
1966-67	100.0	.0	52.7	38,130.0		
1967-68	82.0	15.0	60.4	43,810.0		
1968-69	32.0	.0	8.8	6,380.0		
1969-70	M	M	M	M		
1970-71	M	M	M	M		

M Data Missing  
\* Record incomplete  
E Estimate  
N.D. Not determined  
\*\* Record not Computed  
+ Less than 0.05 Acre Feet or less than 0.05 CFS, but greater than 0

### RUNOFF – STREAM GAGING STATION PEAK FLOW

**AZUSA CONDUIT (Sandbox 20' weir)  
STATION NO. F250-R**

Season	Daily CFS			Total Runoff (Acre-feet)	Peak Inflow	
	Maximum	Minimum	Mean		Date	CFS
1971-72	M	M	M	M		
1972-73	M	M	M	M		
1973-74	M	M	M	M		
1974-75	M	M	M	M		
1975-76	M	M	M	M		
1976-77	M	M	M	M		
1977-78	78.2	.0	1.5	16,757.0		
1978-79	105.0	49.1	72.2	26,342.0		
1979-80	101.0	1.5	39.8	14,561.0		
1980-81	99.3	.0	53.7	38,894.0		
1981-82	80.7	24.3	55.7	40,319.0		
1982-83	84.6	34.1	2.3	50,283.0		
1983-84	79.4	.0	1.5	33,803.0		
1984-85	*	*	*	*		
1985-86	80.7	.0	56.0	40,696.0		
1986-87	44.9	.0	29.2	21,124.0		
1987-88	79.4	.2	35.5	25,806.0		
1988-89	85.2	.0	46.6	33,739.0		
1989-90	34.8	.0	21.9	15,863.0		
1990-91	79.4	3.0	28.4	20,280.0		
1991-92	82.6	.0	52.0	37,764.0		
1992-93	84.0	.0	49.7	36,010.0		
1993-94	82.2	.0	58.5	42,340.0		
1994-95	83.9	.0	59.9	43,350.0		
1995-96	76.6	.0	55.4	40,190.0		
1996-97	82.0	.0	59.2	42,880.0	Jan 26	84
1997-98	83.0	.0	51.3	37,140.0	Jul 04	109
1998-99	139.0	.0	69.4	50,240.0	Nov 20	142

M	Data Missing
*	Record incomplete
E	Estimate
N.D.	Not determined
**	Record not Computed
+	Less than 0.05 Acre Feet or less than 0.05 CFS, but greater than 0

### RUNOFF – STREAM GAGING STATION PEAK FLOW

**BALLONA CREEK above Sawtelle Blvd.**

**STATION NO. F38C-R**

Season	Daily CFS			Total Runoff (Acre-feet)	Peak Inflow	
	Maximum	Minimum	Mean		Date	CFS
1927-28	N.D.	.0	N.D.	3,930.0	May 08	1,100
1928-29	1,150.0	.0	20.6	14,900.0	Mar 10	4,990
1929-30	1,130.0	.0	18.6	13,480.0	Jan 11	4,460
1930-31	1,500.0	.0	25.6	18,520.0	Apr 26	6,280
1931-32	1,780.0	.0	30.0	21,790.0	Dec 28	6,130
1932-33	1,660.0	.0	21.8	15,810.0	Jan 19	7,000
1933-34	4,310.0	.0	28.5	20,630.0	Jan 01	11,300
1934-35	2,190.0	.0	34.4	24,870.0	Apr 08	11,200
1935-36	929.0	.0	19.3	13,500.0	Feb 12	8,070
1936-37	2,160.0	.0	56.2	40,680.0	Dec 30	8,940
1937-38	7,330.0	3.6	72.5	52,500.0	Mar 02	19,000
1938-39	3,080.0	1.8	39.4	28,490.0	Dec 17	9,900
1939-40	1,270.0	1.3	29.1	21,110.0	Feb 03	9,730
1940-41	2,680.0	3.1	93.0	67,360.0	Dec 23	17,300
1941-42	990.0	2.8	23.8	17,250.0	Dec 10	7,500
1942-43	4,840.0	2.6	47.3	34,240.0	Jan 22	13,200
1943-44	3,010.0	3.4	45.4	33,000.0	Feb 22	8,800
1944-45	1,200.0	3.0	33.8	24,450.0	Nov 11	9,380
1945-46	1,830.0	3.8	25.4	18,380.0	Dec 22	7,750
1946-47	1,960.0	2.8	36.3	26,300.0	Dec 25	9,630
1947-48	1,000.0	3.5	18.8	13,630.0	Mar 24	12,710
1948-49	668.0	2.8	22.2	16,090.0	Feb 07	5,740
1949-50	1,620.0	1.4	32.1	23,250.0	Feb 06	7,670
1950-51	756.0	.7	26.1	18,860.0	Jan 10	5,460
1951-52	2,520.0	3.5	73.5	53,350.0	Jan 16	12,800
1952-53	1,140.0	4.8	27.5	19,910.0	Nov 15	11,500
1953-54	3,570.0	5.4	39.3	28,480.0	Feb 13	18,900
1954-55	1,210.0	5.4	29.8	21,600.0	Jan 18	9,370
1955-56	6,510.0	5.2	44.7	34,590.0	Jan 26	18,700
1956-57	1,790.0	6.3	30.7	22,240.0	Feb 23	13,900
1957-58	3,000.0	6.3	59.4	43,040.0	Feb 19	15,200
1958-59	1,210.0	4.2	19.0	13,730.0	Jan 06	8,170
1959-60	1,290.0	2.2	23.7	17,190.0	Jan 11	12,500
1960-61	945.0	4.2	17.3	12,560.0	Nov 05	7,700
1961-62	3,490.0	3.2	69.2	50,090.0	Feb 19	12,900
1962-63	1,940.0	3.2	29.6	21,450.0	Mar 16	12,100
1963-64	789.0	3.9	24.8	18,000.0	Jan 22	6,420

M	Data Missing
*	Record incomplete
E	Estimate
N.D.	Not determined
**	Record not Computed
+	Less than 0.05 Acre Feet or less than 0.05 CFS, but greater than 0

### RUNOFF – STREAM GAGING STATION PEAK FLOW

**BALLONA CREEK above Sawtelle Blvd.**

**STATION NO. F38C-R**

Season	Daily CFS			Total Runoff (Acre-feet)	Peak Inflow	
	Maximum	Minimum	Mean		Date	CFS
1964-65	1,590.0	3.9	38.0	27,540.0	Apr 09	17,600
1965-66	3,620.0	5.3	61.5	44,540.0	Nov 22	18,000
1966-67	3,020.0	6.7	62.1	45,300.0	Nov 07	13,900
1967-68	6,350.0	8.2	55.9	40,570.0	Nov 21	32,500
1968-69	4,840.0	8.2	101.0	73,060.0	Jan 25	17,000
1969-70	1,380.0	7.6	30.7	22,230.0	Feb 28	1,380
1970-71	3,170.0	8.8	50.8	35,620.0	Nov 29	14,600
1971-72	1,900.0	7.6	31.3	22,700.0	Dec 24	11,100
1972-73	2,590.0	8.8	65.9	47,730.0	Jan 16	17,600
1973-74	3,510.0	8.8	56.8	41,060.0	Jan 07	11,000
1974-75	2,490.0	6.2	47.8	34,590.0	Dec 04	20,560
1975-76	1,390.0	6.2	30.6	22,230.0	Sep 10	12,940
1976-77	1,760.0	4.6	38.6	27,930.0	Oct 23	10,173
1977-78	4,441.0	4.2	112.8	81,659.0	Feb 10	28,088
1978-79	2,220.0	6.6	60.3	43,680.0	Mar 27	9,710
1979-80	4,630.0	6.2	99.2	70,454.0	Feb 15	27,000
1980-81	1,090.0	6.6	27.8	20,111.0	Mar 02	7,300
1981-82	1,380.0	5.8	41.3	29,922.0	Apr 01	8,110
1982-83	5,690.0	8.2	119.0	86,347.0	Mar 01	23,100
1983-84	1,440.0	10.0	36.7	26,672.0		N.D.
1984-85	1,810.0	8.2	38.3	27,714.0	Feb 09	9,670
1985-86	2,750.0	8.8	67.7	49,043.0	Feb 14	17,200
1986-87	752.0	7.6	19.4	13,986.0		N.D.
1987-88	2,920.0	5.0	57.5	41,772.0	Dec 04	13,400
1988-89	941.0	7.6	1.3	27,763.0	Dec 17	3,580
1989-90	3,140.0	7.6	32.3	23,364.0	Feb 17	8,090
1990-91	2,150.0	3.0	37.5	27,133.0	Mar 19	10,800
1991-92	2,490.0	7.0	62.3	45,191.0	Feb 12	17,200
1992-93	*	*	*	*		*
1993-94	1,450.0	9.7	38.9	28,150.0	Feb 07	14,400
1994-95	4,680.0	9.4	103.0	74,450.0	Mar 10	24,000
1995-96	2,930.0	12.0	53.4	38,740.0	Jan 31	8,230
1996-97	1,830.0	9.7	54.8	39,670.0	Dec 09	9,890
1997-98	3,040.0	8.3	111.0	80,630.0	Feb 06	22,900
1998-99	1,260.0	10.0	41.7	30,160.0	Jan 31	6,150

M	Data Missing
*	Record incomplete
E	Estimate
N.D.	Not determined
**	Record not Computed
+	Less than 0.05 Acre Feet or less than 0.05 CFS, but greater than 0

## RUNOFF – STREAM GAGING STATION PEAK FLOW

### BOUQUET CANYON CREEK @ Urbandale Avenue STATION NO. F377-R

Season	Daily CFS			Total Runoff (Acre-feet)	Peak Inflow	
	Maximum	Minimum	Mean		Date	CFS
1967-68	66.0	.0	1.1	823.0	Nov 19	713
1968-69	528.0	.0	3.4	2,450.0	Feb 25	3,256
1969-70	11.0	.0	.1	11.0	Mar 01	20
1970-71	30.0	.0	2.2	1,290.0	Dec 18	273
1971-72	36.0	.0	.7	499.0	Dec 27	101
1972-73	81.0	.0	.4	300.0	Feb 11	750
1973-74	8.8	.0	+	33.0	Jan 07	20
1974-75	11.0	.0	.1	76.0	Mar 05	512
1975-76	NO RECORD					
1976-77	*	*	*	*	Aug 17	26*
1977-78	326	.0	5	3491.0	Mar 4	660
1978-79	106	.0	2.1	1554.0	Mar 28	447
1979-80	180.0	.0	7.4	5,253.0		N.D.
1980-81	44.1	.0	.9	680.0	Jan 28	530
1981-82	*	*	*	*	Mar 17	104*
1982-83	235.0	.0	4.2	3,080.0	Mar 01	448
1983-84	18.9	.0	.3	188.0		N.D.
1984-85	43.8	.0	.3	228.0	Dec 19	45
1985-86	140.0	.0	1.2	908.0	Mar 16	360
1986-87	7.7	.0	+	43.0	Mar 05	10
1987-88	52.6	.0	.6	439.0		N.D.
1988-89	137.0	.0	.6	479.0	Dec 16	339
1989-90	2.8	.0	.1	30.0		N.D.
1990-91	.3	.0	.1	9.0		N.D.
1991-92	72.3	.0	.9	662.0	Feb 12	712
1992-93	*	*	*	*		*
1993-94	28.7	.0	.8	474.0		N.D.
1994-95	301.0	.0	2.9	2,098.0	Jan 10	578
1995-96	38.3	.0	.7	544.0	Jan 31	149
1996-97	21.0	.0	.5	339.0	Dec 09	79
1997-98	258.0	.0	3.2	2,290.0	Feb 23	731
1998-99	6.5	.0	.1	89.0	Apr 12	67

M	Data Missing
*	Record incomplete
E	Estimate
N.D.	Not determined
**	Record not Computed
+	Less than 0.05 Acre Feet or less than 0.05 CFS, but greater than 0

### RUNOFF – STREAM GAGING STATION PEAK FLOW

**BRADBURY CHANNEL below Central Avenue  
STATION NO. F329-R**

Season	Daily CFS			Total Runoff (Acre-feet)	Peak Inflow	
	Maximum	Minimum	Mean		Date	CFS
1957-58	7.3	.0	.2	170.0	Feb 19	65
1958-59	29.0	.0	.3	182.0	Jan 06	1,250
1959-60	5.2	.0	.1	59.0	Dec 24	40
1960-61	4.5	.0	.0	30.0	Nov 03	60
1961-62	50.0	.0	.7	518.0	Jan 20	316
1962-63	9.4	.0	.2	120.0	Feb 09	74
1963-64	5.6	.0	.2	114.0	Jan 22	168
1964-65	11.0	.0	.2	157.0	Apr 09	248
1965-66	46.0	.0	.6	448.0	Dec 29	587
1966-67	52.0	.0	.7	547.0	Jan 24	280
1967-68	30.0	.0	.4	319.0	Mar 08	370
1968-69	131.0	.0	2.6	938.0	Feb 06	472
1969-70	47.0	.0	.6	408.0	Mar 01	267
1970-71	20.0	.0	.4	261.0	Dec 21	130
1971-72	24.0	.0	.2	172.0	Dec 24	145
1972-73	61.0	.0	1.2	438.0	Feb 27	424
1973-74	39.0	.0	.8	609.0	Jan 07	111
1974-75	28.0	.0	.4	268.0	Dec 04	325
1975-76	14.0	+	.4	326.0	Sep 11	210
1976-77	26.4	+	.5	374.0	Oct 23	166
1977-78	75.6	+	2.7	1,670.0	Feb 10	357
1978-79	49.0	.0	1.6	1,160.0	Jan 15	297
1979-80	155.0	.0	8.3	5,984.0	Jan 28	574
1980-81	29.7	.0	1.1	781.0	Jan 29	477
1981-82	41.2	.0	1.2	870.0	Mar 17	305
1982-83	111.0	.0	2.4	1,716.0	Sep 29	422
1983-84	21.7	.0	.7	549.0	Oct 01	230
1984-85	24.4	.0	.9	672.0		N.D.
1985-86	34.8	.0	.8	581.0	Jan 31	267
1986-87	5.7	.0	.5	361.0	Jan 04	174
1987-88	166.0	.0	2.8	2,019.0	Dec 04	286
1988-89	25.3	.0	1.1	758.0	Feb 04	119
1989-90	19.6	.1	1.2	877.0	May 28	20
1990-91	44.6	.0	1.8	1,267.0	Feb 27	391
1991-92	50.9	.0	1.2	877.0	Feb 12	334
1992-93	83.6	.0	3.2	2,310.0	Jan 14	534
1993-94	14.6	.0	.6	470.0	Mar 24	193

M	Data Missing
*	Record incomplete
E	Estimate
N.D.	Not determined
**	Record not Computed
+	Less than 0.05 Acre Feet or less than 0.05 CFS, but greater than 0



### RUNOFF – STREAM GAGING STATION PEAK FLOW

**BRADBURY CHANNEL** *below* Central Avenue  
**STATION NO. F329-R**

Season	Daily CFS			Total Runoff (Acre-feet)	Peak Inflow	
	Maximum	Minimum	Mean		Date	CFS
1994-95	82.7	.0	2.3	1,652.0	Feb 14	170
1995-96	97.6	.0	1.8	1,283.0	Feb 20	320
1996-97	28.0	.0	1.0	708.0	Nov 21	168
1997-98	91.0	+	1.5	1,110.0	Feb 07	400
1998-99	16.0	.0	.5	351.0	Jan 26	170

M	Data Missing
*	Record incomplete
E	Estimate
N.D.	Not determined
**	Record not Computed
+	Less than 0.05 Acre Feet or less than 0.05 CFS, but greater than 0

### RUNOFF – STREAM GAGING STATION PEAK FLOW

**BRANFORD STREET CHANNEL *below* Sharp Avenue**
**STATION NO. F342-R**

Season	Daily CFS			Total Runoff (Acre-feet)	Peak Inflow	
	Maximum	Minimum	Mean		Date	CFS
1961-62	118.0	.0	1*	743*	Feb 19	206
1962-63	46.0	.0	.6	415.0	Apr 26	284
1963-64	32.0	.0	.5	375.0	Mar 22	275
1964-65	56.0	.0	.8	571.0	Apr 09	261
1965-66	110.0	.0	1.4	982.0	Dec 29	587
1966-67	79.0	.0	1.2	870.0	Nov 07	445
1967-68	120.0	.0	1.0	693.0	Nov 21	576
1968-69	160.0	.0	3.0	2,190.0	Feb 25	738
1969-70	65.0	.0	1.0	724.0	Feb 09	462
1970-71	175*	.0	1.6*	1162*	Nov 29	990*
1971-72	50.0	.0	.5	360.0	Dec 24	233
1972-73	50.0	.0	2.1	1,530.0	Feb 11	771
1973-74	90.0	.0	1.0	710.0	Jan 07	412
1974-75	75.0	+	.9	668.0	Mar 06	882
1975-76	61.0	.0	.8	550.0	Sep 10	742
1976-77	66.9	.0	.9	633.0	May 09	490
1977-78	126.0	.0	3.0	2,153.0	Feb 10	1,160
1978-79	80.0	.0	1.5	1,052.0	Mar 27	823
1979-80	158.0	.0	1.9	1,380.0	Feb 19	1,530
1980-81	45.6	.0	.6	471.0	Jan 29	683
1981-82	67.8	.0	1.2	685.0	Mar 17	688
1982-83	230.0	.0	2.9	2,134.0	Mar 01	1,520
1983-84	34.2	.0	.4	326.0	Dec 25	190
1984-85	53.3	.0	.6	423.0	Dec 18	800
1985-86	43.1	.0	1.1	760.0	Jan 31	728
1986-87	20.7	.0	.2	144.0	Nov 17	386
1987-88	123.0	.0	1.5	1,058.0	Oct 22	1,830
1988-89	30.2	.0	.7	478.0	Dec 20	242
1989-90	46.9	.0	.5	372.0	Jan 13	383
1990-91	64.6	.0	1.0	726.0		N.D.
1991-92	238.0	.0	2.8	2,001.0	Feb 10	1,450
1992-93	*	*	*	*		*
1993-94	35.3	.0	.7	464.0		N.D.
1994-95	175.0	.0	3.0	2,076.0	Mar 10	1,770
1995-96	68.4	.0	.9	652.0	Feb 21	574
1996-97	56.0	.1	1.3	917.0	Dec 22	578
1997-98	124.0	.1	3.4	2,470.0	Feb 07	1,240

M	Data Missing
*	Record incomplete
E	Estimate
N.D.	Not determined
**	Record not Computed
+	Less than 0.05 Acre Feet or less than 0.05 CFS, but greater than 0

<b>RUNOFF – STREAM GAGING STATION PEAK FLOW</b>
---

**BRANFORD STREET CHANNEL** *below* Sharp Avenue  
**STATION NO. F342-R**

Season	Daily CFS			Total Runoff (Acre-feet)	Peak Inflow	
	Maximum	Minimum	Mean		Date	CFS
1998-99	19.0	.1	1.0	717.0	Oct 29	679

M	Data Missing
*	Record incomplete
E	Estimate
N.D.	Not determined
**	Record not Computed
+	Less than 0.05 Acre Feet or less than 0.05 CFS, but greater than 0

### RUNOFF – STREAM GAGING STATION PEAK FLOW

**BURBANK WESTERN STORM DRAIN @ Riverside Drive  
STATION NO. E285-R**

Season	Daily CFS			Total Runoff (Acre-feet)	Peak Inflow	
	Maximum	Minimum	Mean		Date	CFS
1950-51	50.0	1.2	4.0	2,870.0	Jan 11	920
1951-52	310.0	1.2	8.9	6,490.0	Jan 16	1,400
1952-53	89.0	.0	4.7	3,400.0	Dec 20	1,380
1953-54	144.0	2.1	5.7	4,140.0	Mar 16	1,070
1954-55	123.0	1.2	5.6	4,020.0	Jan 18	849
1955-56	400.0	2.0	5.6	4,070.0	Jan 26	N.D.
1956-57	192.0	1.6	4.9	3,530.0	Feb 23	1,770
1957-58	232.0	1.9	8.2	5,950.0	Feb 19	1,270
1958-59	222.0	1.6	4.9	3,540.0	Feb 11	1,650
1959-60	112.0	1.7	4.5	3,280.0	Jan 10	854
1960-61	170.0	1.7	4.9	3,570.0	Nov 05	1,400
1961-62	583.0	1.7	10.2	7,380.0	Feb 12	2,310
1962-63	444.0	.6	6.4	4,640.0	Feb 09	1,800
1963-64	141.0	1.7	5.4	3,940.0	Mar 22	1,220
1964-65	220.0	1.7	6.9	5,010.0	Apr 01	2,570
1965-66	897.0	1.1	11.4	8,290.0	Dec 29	2,980
1966-67	730.0	3.4	15.4	11,170.0	Nov 07	3,500
1967-68	499.0	4.5	12.7	9,250.0	Mar 08	2,640
1968-69	982.0	5.0	24.4	17,640.0	Jan 25	2,830
1969-70	198.0	3.4	9.8	7,080.0	Mar 04	1,500
1970-71	771.0	2.2	12.7	9,200.0	Nov 29	4,600
1971-72	291.0	3.9	10.3	7,490.0	Oct 24	1,650
1972-73	478.0	4.5	16.1	11,670.0	Jan 18	3,130
1973-74	800.0	4.5	14.8	10,740.0	Jan 07	1,860
1974-75	318.0	5.0	12.6	9,120.0	Dec 04	2,370
1975-76	221.0	4.5	13.0	9,410.0	Sep 05	3,030
1976-77	369.0	7.9	16.8	12,164.0	Oct 23	2,880
1977-78	1,260.0	3.9	47.9	34,682.0	Feb 10	12,300
1978-79	338.0	3.9	17.1	12,387.0	Mar 17	2,620
1979-80	1,490.0	5.0	31.5	22,500.0	Feb 16	7,560
1980-81	257.0	4.5	16.5	11,965.0	Jan 29	4,340
1981-82	425.0	2.2	17.3	12,518.0	Jan 19	3,010
1982-83	1,710.0	4.5	36.6	26,506.0	Mar 01	6,320
1983-84	231.0	2.8	9.8	7,083.0	Nov 01	2,190
1984-85	363.0	1.1	9.6	6,981.0	Dec 19	2,640
1985-86	372.0	2.8	14.0	10,104.0	Jan 31	3,070
1986-87	145.0	1.7	8.3	5,843.0	Nov 18	1,150

M	Data Missing
*	Record incomplete
E	Estimate
N.D.	Not determined
**	Record not Computed
+	Less than 0.05 Acre Feet or less than 0.05 CFS, but greater than 0

### RUNOFF – STREAM GAGING STATION PEAK FLOW

**BURBANK WESTERN STORM DRAIN @ Riverside Drive  
STATION NO. E285-R**

Season	Daily CFS			Total Runoff (Acre-feet)	Peak Inflow	
	Maximum	Minimum	Mean		Date	CFS
1987-88	363.0	7.9	19.4	14,058.0	Oct 22	6,620
1988-89	194.0	4.4	12.5	9,071.0	Dec 16	1,410
1989-90	253.0	4.1	10.0	7,258.0	Feb 04	1,410
1990-91	376.0	1.2	10.7	7,626.0		N.D.
1991-92	778.0	3.0	35.6	25,812.0	Feb 10	7,220
1992-93	564.0	6.0	33.9	24,570.0	Feb 07	8,080
1993-94	355.0	5.7	16.8	12,160.0	Nov 30	5,600
1994-95	743.0	2.4	39.6	28,687.0	Mar 10	6,880
1995-96	1,330.0	5.3	22.0	15,950.0	Feb 21	5,270
1996-97	293.0	6.5	14.2	10,310.0	Jan 20	2,400
1997-98	844.0	8.4	29.9	21,670.0	Nov 26	5,240
1998-99	175.0	7.3	15.1	10,920.0	Nov 28	2,940

M	Data Missing
*	Record incomplete
E	Estimate
N.D.	Not determined
**	Record not Computed
+	Less than 0.05 Acre Feet or less than 0.05 CFS, but greater than 0

### RUNOFF – STREAM GAGING STATION PEAK FLOW

COMPTON CREEK near Greenleaf Drive  
STATION NO. F37B-R

Season	Daily CFS			Total Runoff (Acre-feet)	Peak Inflow	
	Maximum	Minimum	Mean		Date	CFS
1927-28	*	.0	*	1230*	Mar 05	240*
1928-29	197.0	.0	3.1	2,270.0	Mar 10	924
1929-30	144.0	.0	3.5	2,520.0	Mar 14	580
1930-31	137.0	+	3.3	2,400.0	Apr 26	678
1931-32	248.0	.0	4.4	3,220.0	Jan 31	757
1932-33	166.0	.0	2.4	1,780.0	Jan 19	740
1933-34	372.0	.0	3.5	2,560.0	Jan 01	960
1934-35	301.0	.0	5.7	4,170.0	Apr 08	850
1935-36	143.0	.0	4.0	2,920.0	Feb 12	824
1936-37	559.0	.0	*	*	Feb 06	1,220
1937-38	986E	*	*	*	Mar 02	N.D.
1938-39	837.0	.0	7.1	5,150.0	Sep 25	2,150
1939-40	256.0	10.0	7.4	5,340.0	Feb 03	1,630
1940-41	544.0	1.0	22.7	16,400.0	Dec 23	2,660
1941-42	236.0	3.0	10.1	7,280.0	Dec 10	1,730
1942-43	752.0	.8	11.8	8,560.0	Jan 22	2,050
1943-44	739.0	2.3	15.6	11,290.0	Feb 20	2,370
1944-45	363.0	4.4	12.7	9,210.0	Nov 11	3,010
1945-46	362.0	2.6	11.0	7,960.0	Dec 23	2,010
1946-47	474.0	4.1	13.9	10,080.0	Nov 12	2,930
1947-48	170.0	.6	7.9	5,740.0	Mar 24	1,410
1948-49	282.0	.1	5.1	3,660.0	Dec 17	2,710
1949-50	433.0	+	6.6	4,820.0	Feb 06	2,830
1950-51	209.0	+	4.9	3,550.0	Jan 10	1,790
1951-52	661.0	.1	14.7	10,650.0	Jan 18	3220E
1952-53	220.0	.1	5.6	4,020.0	Nov 15	2,380
1953-54	797.0	.1	7.5	5,410.0	Feb 13	3,600
1954-55	374.0	.1	8.4	6,080.0	Jan 18	2,710
1955-56	2,090.0	.2	12.7	9,240.0	Jan 26	4,910
1956-57	286.0	+	5.6	4,070.0	May 11	1,780
1957-58	1,100.0	+	16.0	11,610.0	Feb 19	4,640
1958-59	449.0	.0	4.6	3,330.0	Jan 06	4,320
1959-60	463.0	.0	6.3	4,590.0	Jan 11	3,220
1960-61	204.0	+	2.7	1,960.0	Nov 05	1,640
1961-62	1,060.0	.1	14.5	10,520.0	Feb 19	4,550
1962-63	576.0	+	8.8	6,400.0	Feb 10	3,310
1963-64	212.0	+	4.7	3,440.0	Nov 06	2,430

M	Data Missing
*	Record incomplete
E	Estimate
N.D.	Not determined
**	Record not Computed
+	Less than 0.05 Acre Feet or less than 0.05 CFS, but greater than 0

### RUNOFF – STREAM GAGING STATION PEAK FLOW

COMPTON CREEK near Greenleaf Drive  
STATION NO. F37B-R

Season	Daily CFS			Total Runoff (Acre-feet)	Peak Inflow	
	Maximum	Minimum	Mean		Date	CFS
1964-65	424.0	.0	7.4	5,390.0	Apr 09	2,630
1965-66	809.0	+	10.8	7,800.0	Dec 29	3,250
1966-67	765.0	+	11.8	8,560.0	Nov 07	4,650
1967-68	1,120.0	+	9.4	6,850.0	Mar 07	3,690
1968-69	1,040.0	.0	16.6	12,010.0	Jan 20	5,890
1969-70	275.0	.2	4.4	3,150.0	Jan 16	1,960
1970-71	609.0	.4	11.7	8,500.0	Nov 29	2,930
1971-72	622.0	.4	6.8	4,940.0	Dec 27	6,000
1972-73	473.0	.2	12.2	8,830.0	Nov 14	4,300
1973-74	810.0	.3	10.0	7,210.0	Jan 04	3,140
1974-75	677.0	.2	9.1	6,550.0	Dec 04	8,690
1975-76	285.0	.1	4.6	3,270.0	Feb 09	2,470
1976-77	542.0	.0	7.2	5,220.0	Aug 17	1,970
1977-78	688.0	.0	20.0	14,471.0	Mar 01	3,620
1978-79	559.0	+	12.3	8,888.0	Mar 27	2,410
1979-80	*	*	*	*	Feb 16	4,780
1980-81	440.0	.1	6.4	4,658.0	Mar 01	2,970
1981-82	237.0	.3	6.3	4647E	Jan 01	2,720
1982-83	1,010.0	.4	21.9	16,720.0	Jan 28	6,020
1983-84	277.0	.3	5.4	3,893.0	Nov 24	2,380
1984-85	458.0	.1	7.4	5,354.0	Dec 19	4,110
1985-86	*	*	*	*		*
1986-87	187.0	.4	4.0	2,935.0	Nov 17	1,670
1987-88	443.0	.3	8.0	5,826.0	Dec 04	2,980
1988-89	258.0	.6	5.9	4,254.0	Dec 21	1,990
1989-90	755.0	.2	5.4	3,887.0	Feb 17	2,500
1990-91	527.0	.5	9.1	6,586.0	Mar 19	3,940
1991-92	510.0	.1	15.5	11,228.0	Mar 20	4,640
1992-93	717.0	.1	21.8	15,760.0	Jan 06	5,240
1993-94	290.0	.2	6.0	4,315.0	Nov 30	2,680
1994-95	1,120.0	.0	15.8	11,440.0	Jan 04	7,660
1995-96	627.0	.5	8.0	5,792.0	Jan 31	3,410
1996-97	402.0	.7	10.1	7,300.0	Dec 09	2,510
1997-98	826.0	.7	26.9	19,500.0	Feb 06	7,040
1998-99	384.0	.2	9.0	6,540.0	Nov 08	2,420

M	Data Missing
*	Record incomplete
E	Estimate
N.D.	Not determined
**	Record not Computed
+	Less than 0.05 Acre Feet or less than 0.05 CFS, but greater than 0

### RUNOFF – STREAM GAGING STATION PEAK FLOW

COYOTE CREEK *below* Spring Street

STATION NO. F354-R

Season	Daily CFS			Total Runoff (Acre-feet)	Peak Inflow	
	Maximum	Minimum	Mean		Date	CFS
1963-64	1,190.0	+	10.9	7,950.0	Nov 15	N.D.
1964-65	800.0	.3	16.9	12,220.0	Apr 09	3,350
1965-66	1,830.0	1.2	32.5	23,500.0	Dec 29	5,020
1966-67	1,840.0	1.4	37.9	27,450.0	Jan 22	6,880
1967-68	2,350.0	1.6	26.8	19,570.0	Mar 08	6,970
1968-69	4,420.0	3.1	88.8	64,290.0	Jan 20	11,300
1969-70	1,000.0	2.5	23.0	16,680.0	Feb 10	4,600
1970-71	2,320.0	1.4	32.9	23,820.0	Dec 19	6,200
1971-72	1,770.0	*	*	*	Dec 27	6,620
1972-73	2,350.0	3.3	60.4	43,720.0	Nov 14	7,810
1973-74	2,410.0	2.3	38.3	27,700.0	Jan 07	8,670
1974-75	3,130.0	2.3	36.9	26,700.0	Dec 04	14,400
1975-76	1,500.0	2.3	24.5	17,540.0	Feb 06	5,430
1976-77	4,250.0	1.7	37.5	27,000.0	May 08	13,400
1977-78	4,400.0	1.5	128.4	92,940.0	Mar 01	13,700
1978-79	*	*	*	*		*
1979-80	4,380.0	4.0	128.4	91,800.0	Feb 14	19,400
1980-81	2,030.0	4.9	33.7	24,395.0	Mar 01	7,980
1981-82	4,020.0	4.6	56.2	40,818.0	Nov 28	12,200
1982-83	5,100.0	3.4	123.0	89,013.0	Mar 01	19,700
1983-84	2,670.0	5.2	1.5	32,043.0	Oct 01	9,620
1984-85	*	*	*	*		*
1985-86	3,500	N.D.	N.D.	N.D.	Feb 14	15,100
1986-87	2,980.0	4.9	34.1	24,670.0	Jan 04	11,100
1987-88	2,940.0	3.1	46.8	33,943.0	Dec 04	7,630
1988-89	1,360.0	3.0	45.0	32,582.0		N.D.
1989-90	648.0	2.3	18.5	13,410.0	Jan 16	2,980
1990-91	2,250.0	3.4	49.7	35,630.0	Mar 01	6,250
1991-92	3,120.0	.0	61.3	44,518.0	Feb 12	21,000
1992-93	5,030.0	3.8	147.0	106,400.0	Dec 07	13,600
1993-94	*	*	*	*		*
1994-95	*	*	*	*	Mar 11	11,500
1995-96	2,990.0	2.8	41.9	30,380.0	Feb 20	15,500
1996-97	2,120.0	3.5	72.0	52,160.0	Dec 09	10,100
1997-98	3,370.0	1.5	135.0	97,460.0	Feb 07	13,800
1998-99	748.0	3.0	35.7	25,830.0	Nov 08	4,570

M	Data Missing
*	Record incomplete
E	Estimate
N.D.	Not determined
**	Record not Computed
+	Less than 0.05 Acre Feet or less than 0.05 CFS, but greater than 0



**RUNOFF – STREAM GAGING STATION PEAK FLOW**

COYOTE CREEK *below* Spring Street  
 STATION NO. F354-R

Season	Daily CFS			Total Runoff (Acre-feet)	Peak Inflow	
	Maximum	Minimum	Mean		Date	CFS

M	Data Missing
*	Record incomplete
E	Estimate
N.D.	Not determined
**	Record not Computed
+	Less than 0.05 Acre Feet or less than 0.05 CFS, but greater than 0

### RUNOFF – STREAM GAGING STATION PEAK FLOW

**DALTON WASH@ Merced Avenue  
STATION NO. F274B-R**

Season	Daily CFS			Total Runoff (Acre-feet)	Peak Inflow	
	Maximum	Minimum	Mean		Date	CFS
1940-41	206.0	.0	5.3	3,844.0	Mar 13	674
1941-42	42.0	.0	1.0	727.0	Dec 10	230
1942-43	336.0	.0	4.8	3,500.0	Jan 22	1,230
1943-44	1,620.0	.0	2.2	1,620.0	Feb 22	2,650
1944-45	144.0	.0	1.2	894.0	Nov 11	1,740
1945-46	229.0	.0	2.2	1,610.0	Dec 23	1,450
1946-47	52.0	.0	1.4	984.0	Nov 23	328
1947-48	20.0	.0	.1	96.0	Dec 05	149
1948-49	19.0	.0	.1	97.0	Dec 17	181
1949-50	38.0	.0	.4	306.0	Dec 18	232
1950-51	11.0	.0	.1	64.0	Jan 11	175
1951-52	270.0	.0	2.9	2,090.0	Jan 16	1,070
1952-53	39.0	.0	.4	287.0	Nov 15	549
1953-54	217.0	.0	1.5	1,060.0	Feb 13	1,290
1954-55	88.0	.0	1.0	706.0	Jan 18	668
1955-56	860.0	.0	3.1	2,260.0	Jan 26	2,350
1956-57	165.0	.0	1.4	980.0	Mar 01	1,990
1957-58	303.0	.0	6.5	4,690.0	Mar 16	1,310
1958-59	208.0	.0	3.0	2,130.0	Jan 06	2,700
1959-60	2,260.0	.1	3.1	2,260.0	Jan 10	1,000
1960-61	150.0	.2	3.1	2,220.0	Jan 26	1,468
1961-62	511.0	.1	9.9	7,200.0	Nov 20	4,270
1962-63	403.0	.2	5.7	4,110.0	Mar 16	2,020
1963-64	169.0	.1	3.8	2,750.0	Jan 21	1,530
1964-65	290.0	.1	4.4	3,170.0	Apr 09	2,800
1965-66	571.0	.2	8.8	6,310.0	Nov 22	1,320
1966-67	693.0	.3	14.0	10,140.0	Sep 01	3,970
1967-68	414.0	.3	5.9	4,310.0	Mar 08	3,254
1968-69	3,120.0	.3	47.0	34,300.0	Jan 25	6,550
1969-70	447.0	1.2	68.0	49,270.0	Feb 01	4,775
1970-71	404.0	.8	88.0	63,700.0	Dec 21	2,320
1971-72	599.0	.8	54.0	39,430.0	Dec 24	3,570
1972-73	629.0	.8	121.0	87,820.0	Feb 02	4,240
1973-74	839.0	.8	112.0	81,260.0	Jan 04	2,140
1974-75	550.0	.8	66.8	48,320.0	Dec 04	5,060
1975-76	282.0	.8	74.1	53,640.0	Sep 10	2,190
1976-77	210.0	1.0	14.2	10,280.0	Jan 03	3,240

M	Data Missing
*	Record incomplete
E	Estimate
N.D.	Not determined
**	Record not Computed
+	Less than 0.05 Acre Feet or less than 0.05 CFS, but greater than 0

### RUNOFF – STREAM GAGING STATION PEAK FLOW

**DALTON WASH @ Merced Avenue  
STATION NO. F274B-R**

Season	Daily CFS			Total Runoff (Acre-feet)	Peak Inflow	
	Maximum	Minimum	Mean		Date	CFS
1977-78	1,460	.1	101.8	73,594.0	Mar 5	7,590
1978-79	582.0	.1	101.6	73,533.0	Mar 27	5,610
1979-80	2,790.0	+	83.4	59,890.0	Feb 16	10,000
1980-81	379.0	1.0	21.9	15,861.0	Mar 01	1,830
1981-82	568.0	.6	53.4	38,651.0	Mar 14	3,750
1982-83	1,690.0	.0	52.2	37,757.0	Feb 27	6,130
1983-84	347.0	.0	40.2	28,405.0	Dec 25	3,360
1984-85	322.0	.1	57.6	41,683.0	Nov 08	3,500
1985-86	496.0	.1	39.1	28,298.0	Mar 08	5,550
1986-87	347.0	.0	65.7	46,865.0	Oct 02	2,980
1987-88	421.0	.1	47.9	34,807.0	Dec 04	4,984
1988-89	286.0	1.3	60.0	43,310.0	Dec 21	3,408
1989-90	151.0	8.0	56.0	39,890.0	Apr 17	5,390
1990-91	593.0	.0	18.1	13,700.0	Mar 01	3,288
1991-92	529.0	.1	10.0	7,252.0	Feb 12	5,270
1992-93	790.0	.0	37.8	27,370.0	Jan 14	6,120
1993-94	169.0	.1	6.2	4,470.0	Apr 26	3,390
1994-95	1,070.0	.1	19.6	14,160.0	Jan 10	4,790
1995-96	925.0	.2	13.7	9,920.0	Feb 18	6,760
1996-97	370.0	.1	30.2	21,890.0	Dec 09	3,130
1997-98	1,070.0	.1	22.4	16,220.0	Feb 07	6,630
1998-99	127.0	.1	7.2	5,240.0	Nov 28	2,820

M	Data Missing
*	Record incomplete
E	Estimate
N.D.	Not determined
**	Record not Computed
+	Less than 0.05 Acre Feet or less than 0.05 CFS, but greater than 0

### RUNOFF – STREAM GAGING STATION PEAK FLOW

EATON WASH @ Loftus Drive  
STATION NO. F318-R

Season	Daily CFS			Total Runoff (Acre-feet)	Peak Inflow	
	Maximum	Minimum	Mean		Date	CFS
1956-57	201.0	.0	3.3	2,400.0	Feb 23	1,760
1957-58	368.0	.1	10.3	7,460.0	Feb 19	2,700
1958-59	245.0	.1	3.9	2,850.0	Jan 06	3,480
1959-60	186.0	+	3.3	2,420.0	Jan 12	1,090
1960-61	123.0	.1	2.2	1,590.0	Nov 26	1,200
1961-62	598.0	.1	9.5	6,880.0	Feb 11	1,950
1962-63	311.0	.3	4.1	2,980.0	Feb 09	1,230
1963-64	227.0	.1	4.2	3,050.0	Nov 20	2,360
1964-65	254.0	.2	5.2	3,760.0	Apr 09	2,150
1965-66	605.0	.3	12.4	8,990.0	Dec 29	2,290
1966-67	548.0	.3	12.0	8,670.0	Jan 24	2,100
1967-68	318.0	.3	5.6	4,040.0	Mar 08	2,390
1968-69	1,860.0	.3	M	M		M
1969-70	M	M	M	M		M
1970-71	M	M	M	M		M
1971-72	M	M	M	M		M
1972-73	M	M	M	M		M
1973-74	592.0	.3	6.7	4,870.0	Jan 07	1,530
1974-75	480.0	.5	6.7	4,870.0	Dec 04	3,000
1975-76	275.0	.4	5.6	3,980.0	Sep 11	2,660
1976-77	206.0	.4	5.0	3,650.0	Oct 23	1,820
1977-78	914.0	.4	29.6	21,425.0	Feb 10	5,810
1978-79	335.0	.3	9.9	7,156.0	Feb 21	2,630
1979-80	1,460.0	.1	39.5	27,991.0	Feb 16	5,240
1980-81	203.0	.3	5.4	3,937.0	Mar 19	1,630
1981-82	377.0	.4	7.6	5,453.0	Mar 17	3,060
1982-83	1,570.0	.5	41.1	28,952.0		
1983-84	191.0	.4	4.6	3,307.0	Dec 25	1,930
1984-85	199.0	.4	5.9	4,258.0	Dec 19	2,460
1985-86	313.0	.4	6.8	4,827.0	Jan 31	1,730
1986-87	178.0	.1	2.5	1,782.0	Oct 02	1,400
1987-88	317.0	.0	4.2	3,048.0	Jan 17	4,950
1988-89	172.0	.1	2.9	2,134.0	Dec 15	1,150
1989-90	383.0	.1	3.2	2,289.0	Apr 17	1,310
1990-91	331.0	.0	5.5	3,948.0	Feb 28	1,850
1991-92	757.0	.0	14.2	10,304.0	Feb 12	3,900
1992-93	664.0	.0	29.8	21,580.0	Dec 07	5,090

M	Data Missing
*	Record incomplete
E	Estimate
N.D.	Not determined
**	Record not Computed
+	Less than 0.05 Acre Feet or less than 0.05 CFS, but greater than 0

<b>RUNOFF – STREAM GAGING STATION PEAK FLOW</b>
---

EATON WASH @ Loftus Drive  
STATION NO. F318-R

Season	Daily CFS			Total Runoff (Acre-feet)	Peak Inflow	
	Maximum	Minimum	Mean		Date	CFS
1993-94	159.0	.0	2.9	2,122.0	Mar 24	2,580
1994-95	954.0	.0	20.0	14,500.0	Mar 11	5,330
1995-96	551.0	.1	7.9	5,734.0	Jan 31	5,090
1996-97	236.0	.1	6.4	4,630.0	Jan 12	1,010
1997-98	1,070.0	.1	19.4	14,050.0	Feb 23	4,650
1998-99	136.0	.2	2.8	1,990.0	Nov 28	1,430

M	Data Missing
*	Record incomplete
E	Estimate
N.D.	Not determined
**	Record not Computed
+	Less than 0.05 Acre Feet or less than 0.05 CFS, but greater than 0

### RUNOFF – STREAM GAGING STATION PEAK FLOW

FISH CREEK *above* Mouth of Canyon  
STATION NO. U7-R

Season	Daily CFS			Total Runoff (Acre-feet)	Peak Inflow	
	Maximum	Minimum	Mean		Date	CFS
1917-18	193.0	.1	4.1	2,960.0	Mar 10	330
1918-19	10.0	.0	.9	648.0	Feb 11	21
1919-20	83.0	+	3.0	2,160.0	Mar 02	255
1920-21	120.0	.0	2.3	1,670.0	Mar 13	286
1921-22	290.0	.1	12.4	8,980.0	Feb 09	505
1922-23	64.0	.1	2.1	1,510.0	Dec 12	186
1923-24	14.0	.0	.5	344.0	Mar 26	58
1924-25	132.0	.0	1.7	1,230.0	Apr 04	N.D.
1925-26	410.0	.1	7.2	5,170.0	Apr 07	N.D.
1926-27	482.0	.4	7.0	5,070.0	Feb 16	945
1927-28	30.0	N.D.	1.2	860.0	Feb 04	97
1928-29	41.0	.0	1.4	1,040.0	Mar 10	71
1929-30	42.0	.0	1.5	1,070.0	Jan 15	72
1930-31	26.0	N.D.	1.2	888.0	Apr 26	70
1931-32	213.0	N.D.	4.9	3,560.0	Dec 28	415
1932-33	167.0	N.D.	1.8	1,340.0	Jan 19	299
1933-34	360.0	N.D.	3.4	2,440.0	Jan 01	640
1934-35	150.0	N.D.	4.2	3,080.0	Apr 08	420
1935-36	80.0	.3	4.5	3,280.0	Feb 02	676
1936-37	142.0	.4	9.3	6,770.0	Dec 30	252
1937-38	752.0	1.0	13.2	9,520.0	Mar 02	2,100
1938-39	50.0	.2	2.4	1,750.0	Dec 19	172
1939-40	43.0	.1	2.2	1,570.0	Jan 08	225
1940-41	255.0	.1	12.9	9,340.0	Mar 04	443
1941-42	23.0	.1	1.4	1,030.0	Dec 10	44
1942-43	874.0	.1	14.8	10,720.0	Jan 23	2,100
1943-44	325.0	.5	5.8	4,200.0	Feb 22	680
1944-45	106.0	.2	3.6	2,580.0	Nov 11	400
1945-46	156.0	.1	3.2	2,310.0	Dec 23	540
1946-47	140.0	.1	4.0	2,910.0	Dec 26	400
1947-48	8.8	N.D.	.7	536.0	Apr 28	28
1948-49	18.0	N.D.	.8	610.0	Jan 20	35
1949-50	37.0	.0	1.2	888.0	Dec 18	157
1950-51	5.6	.0	.3	237.0	Apr 28	16
1951-52	348.0	.0	8.3	6,060.0	Jan 16	1,360
1952-53	18.0	.0	1.1	813.0	Dec 01	252
1953-54	110.0	.0	2.1	1,510.0	Jan 25	376

M	Data Missing
*	Record incomplete
E	Estimate
N.D.	Not determined
**	Record not Computed
+	Less than 0.05 Acre Feet or less than 0.05 CFS, but greater than 0

### RUNOFF – STREAM GAGING STATION PEAK FLOW

**FISH CREEK above Mouth of Canyon  
STATION NO. U7-R**

Season	Daily CFS			Total Runoff (Acre-feet)	Peak Inflow	
	Maximum	Minimum	Mean		Date	CFS
1954-55	15.0	.0	.8	567.0	Jan 18	39
1955-56	155.0	.0	1.5	1,100.0	Jan 26	544
1956-57	33.0	.0	.9	674.0	Jan 13	108
1957-58	212.0	.0	7.8	5,680.0	Apr 03	608
1958-59	200.0	.1	2.2	1,590.0	Dec 06	2000E
1959-60	16.0	.0	1.1	794.0	Apr 27	84
1960-61	23.0	.0	.6	443.0	Nov 12	230
1961-62	472.0	.0	6.2	4,480.0	Feb 11	770
1962-63	71.0	.0	1.3	922.0	Feb 09	346
1963-64	48.0	.0	.9	673.0	Jan 21	178
1964-65	48.0	.0	1.3	930.0	Apr 09	163
1965-66	523.0	.0	8.6	6,200.0	Dec 29	1,670
1966-67	688.0	.6	13.5	9,740.0	Dec 06	2,250
1967-68	32.0	.4	2.3	1,640.0	Nov 19	282
1968-69	5,540.0	.7	55.2	39,980.0	Jan 25	13,000
1969-70	99.0	.8	4.2	3,010.0	Feb 28	898
1970-71	93.0	.6	3.3	2,400.0	Nov 29	259
1971-72	23.0	.1	1.0	742.0	Dec 24	62
1972-73	480.0	.2	7.4	5,390.0	Feb 11	1,600
1973-74	234.0	.4	4.4	3,210.0	Jan 07	376
1974-75	30.0	.2	2.5	909.0	Dec 04	56
1975-76	41.0	.1	1.5	1,050.0	Mar 01	143
1976-77	45.0	.0	1.0	760.0		N.D.
1977-78	386.0	.1	15.5	11,242.0	Feb 10	1,340
1978-79	35.1	.2	4.4	3,760.0	Dec 05	78
1979-80	448.0	.4	.5	10,806.0	Feb 16	1,590
1980-81	43.5	.2	1.7	1,264.0	Jan 29	190
1981-82	12.6	.1	2.0	1,424.0	Jan 20	26
1982-83	575.0	.4	18.7	13,552.0	Mar 01	1,230
1983-84	35.1	.0	2.0	1,487.0	Dec 25	108
1984-85	29.4	.1	17.6	1,100.0		N.D.
1985-86	*	*	*	*		*
1986-87	14.2	.0	1.6	1,156.0		N.D.
1987-88	48.9	.0	1.5	1,082.0	Jan 17	115
1988-89	80.7	.0	21.1	1,219.0	Feb 04	226
1989-90	35.4	.0	.6	466.0	Feb 16	176
1990-91	87.4	.0	2.5	1,837.0	Mar 01	429

M	Data Missing
*	Record incomplete
E	Estimate
N.D.	Not determined
**	Record not Computed
+	Less than 0.05 Acre Feet or less than 0.05 CFS, but greater than 0

### RUNOFF – STREAM GAGING STATION PEAK FLOW

FISH CREEK *above* Mouth of Canyon

STATION NO. U7-R

Season	Daily CFS			Total Runoff (Acre-feet)	Peak Inflow	
	Maximum	Minimum	Mean		Date	CFS
1991-92	318.0	.0	10.3	7,481.0	Feb 12	1,030
1992-93	422.0	.3	20.2	14,640.0	Feb 19	2,370
1993-94	13.3	.0	1.2	843.0	Feb 20	31
1994-95	248.0	.2	10.5	7,620.0	Mar 05	768
1995-96	295.0	.1	5.2	3,797.0	Feb 21	540
1996-97	125.0	.2	4.9	3,520.0	Dec 22	339
1997-98	500.0	.1	10.9	7,860.0	Mar 03	35
1998-99	1.9	.2	1.3	935.0	Mar 30	2

M	Data Missing
*	Record incomplete
E	Estimate
N.D.	Not determined
**	Record not Computed
+	Less than 0.05 Acre Feet or less than 0.05 CFS, but greater than 0



### RUNOFF – STREAM GAGING STATION PEAK FLOW

**LITTLE ROCK CREEK *above* Little Rock Dam  
STATION NO. L1-R**

Season	Daily CFS			Total Runoff (Acre-feet)	Peak Inflow	
	Maximum	Minimum	Mean		Date	CFS
1930-31	195.0	.0	5.0	3,610.0	Apr 26	430
1931-32	830.0	.0	*	16730*	Feb 08	2,200
1932-33	56.0	.0	5.8	4,180.0	Mar 09	66
1933-34	455.0	.0	5.2	3,770.0		N.D.
1934-35	716.0	.0	24.4	17,640.0	Feb 05	925
1935-36	127.0	.0	4.6	3,320.0	Feb 23	261
1936-37	679.0	.0	30.3	21,950.0	Feb 06	1,550
1937-38	N.D.	.0	N.D.	N.D.	Mar 02	17,000
1938-39	NO RECORD					
1939-40	183.0	.0	9.6	7,000.0	Jan 08	555
1940-41	1,730.0	.0	71.3	51,620.0	Feb 20	2,240
1941-42	55.0	+	7.1	5,140.0	Apr 14	92
1942-43	2730E	.0	49.5	35,870.0	Jan 23	5,700
1943-44	736.0	.8	49.6	35,940.0	Feb 22	902
1944-45	323.0	.1	12.8	9,250.0	Nov 11	1,080
1945-46	604.0	.0	16.7	12,150.0	Dec 21	1,100
1946-47	1,740.0	.0	21.9	15,840.0	Dec 26	3,180
1947-48	62.0	.0	3.4	2,450.0	Apr 29	122
1948-49	33.0	.0	4.4	3,170.0	Apr 14	37
1949-50	114.0	.0	3.4	2,470.0	Feb 06	212
1950-51	4.7	.0	.6	432.0	May 04	5
1951-52	311.0	.0	31.6	22,890.0	Dec 30	502
1952-53	33.0	.0	4.2	3,020.0	Jan 09	36
1953-54	328.0	.0	11.6	8,430.0	Jan 25	655
1954-55	116.0	+	10.1	7,310.0	Nov 11	236
1955-56	424.0	.0	7.5	5,470.0	Jan 26	1,050
1956-57	399.0	.0	6.3	4,560.0	Jan 13	1,040
1957-58	521.0	.0	40.7	29,500.0	Dec 15	1,070
1958-59	163.0	.0	5.7	4,150.0	Feb 16	598
1959-60	15.0	.0	2.4	1,750.0	Jan 26	17
1960-61	25.0	.0	1.8	1,290.0	Nov 06	37
1961-62	2,060.0	.0	25.8	18,640.0	Feb 11	3,180
1962-63	112.0	.0	3.0	2,200.0	Feb 10	314
1963-64	38.0	.0	3.8	2,800.0	Apr 01	49
1964-65	115.0	.0	7.1	5,150.0	Apr 19	155
1965-66	1,700.0	.0	33.9	24,500.0	Dec 29	5,240
1966-67	1,330.0	.0	29.2	21,230.0	Dec 06	1,970

M	Data Missing
*	Record incomplete
E	Estimate
N.D.	Not determined
**	Record not Computed
+	Less than 0.05 Acre Feet or less than 0.05 CFS, but greater than 0

### RUNOFF – STREAM GAGING STATION PEAK FLOW

**LITTLE ROCK CREEK *above* Little Rock Dam  
STATION NO. L1-R**

Season	Daily CFS			Total Runoff (Acre-feet)	Peak Inflow	
	Maximum	Minimum	Mean		Date	CFS
1967-68	264.0	+	11.6	8,390.0	Nov 21	444
1968-69	1,810.0	+	57.2	41,430.0	Jan 25	5,900
1969-70	175.0	.0	9.5	6,850.0	Feb 10	287
1970-71	453.0	.0	10.6	7,700.0	Nov 29	1,490
1971-72	382.0	.0	6.0	4,320.0	Dec 24	801
1972-73	556.0	.0	16.1	11,680.0	Feb 11	1,880
1973-74	70.0	.0	10.4	7,540.0	Mar 02	87
1974-75	124.0	.0	7.8	5,640.0	Mar 08	230
1975-76	270.0	.0	7.6	5,530.0	Feb 08	643
1976-77	74.0	.0	7.3	5,296.0	May 08	181
1977-78	1,770	0	96.4	69,843	Feb 10	3,735
1978-79	249.0	.5	25.6	18,562.0	Mar 27	367
1979-80	1,705.0	.0	45.8	32,580.0	Feb 19	3,998
1980-81	43.8	.0	5.9	4,726.0	Mar 20	59
1981-82	575.0	.0	18.3	13,243.0	Apr 11	1,132
1982-83	2,413.0	.0	66.5	48,136.0	Mar 01	3,482
1983-84	244.0	.0	7.1	5,124.0	Dec 25	539
1984-85	36.2	.0	8.0	5,764.0	Dec 27	45
1985-86	515.0	.0	17.3	12,510.0	Jan 30	1,162
1986-87	64.1	.0	2.5	1,818.0	Mar 06	87
1987-88	205.0	.0	25.1	18,286.0		N.D.
1988-89	47.0	.0	6.3	4,701.0	Feb 09	61
1989-90	*	*	*	*	Jan 23	41
1990-91	369.0	.0	8.6	8,094.0	Mar 01	839
1991-92	*	*	*	*		*
1992-93	*	*	*	*		*
1993-94	46.9	.0	N.D.	*		N.D.
1994-95	795.0	.0	44.9	32,480.0	Jan 10	2,000
1995-96	638.0	.0	8.9	6,474.0	Feb 21	1,100
1996-97	207.0	.0	7.3	5,260.0	Jan 26	264
1997-98	1,610.0	.0	52.3	37,890.0	Feb 23	3,470
1998-99	23.0	.0	3.8	2,720.0	Feb 10	27

M	Data Missing
*	Record incomplete
E	Estimate
N.D.	Not determined
**	Record not Computed
+	Less than 0.05 Acre Feet or less than 0.05 CFS, but greater than 0

### RUNOFF – STREAM GAGING STATION PEAK FLOW

LOS ANGELES RIVER *above* Arroyo Seco  
STATION NO. F57C-R

Season	Daily CFS			Total Runoff (Acre-feet)	Peak Inflow	
	Maximum	Minimum	Mean		Date	CFS
1930-31	927.0	.0	5.5	3,950.0	Feb 04	4,540
1931-32	2,520.0	.0	21.0	15,240.0	Feb 08	3023
1932-33	2,330.0	.0	14.7	10,640.0	Jan 19	5778
1933-34	5,990.0	.0	41.2	29,810.0	Jan 01	22,000
1934-35	568.0	.1	17.3	12,550.0	Apr 08	2400E
1935-36	322.0	.4	7.9	5,770.0	Mar 30	2,540
1936-37	1,670.0	.4	33.8	24,470.0	Feb 06	2410E
1937-38	27,900.0	.6	183.0	132,600.0	Mar 02	68000E
1938-39	1,950.0	3.8	58.5	42,360.0	Jan 05	3,710
1939-40	2,070.0	6.0	54.5	39,590.0	Jan 08	8,900
1940-41	6,700.0	4.2	228.0	165,000.0	Feb 20	11,900
1941-42	1,170.0	22.0	75.7	54,800.0	Dec 10	5,260
1942-43	7,120.0	15.0	172.0	124,400.0	Jan 23	23,900
1943-44	8,020.0	25.0	151.0	109,800.0	Feb 22	14,600
1944-45	1,160.0	6.5	51.1	36,990.0	Feb 02	4,900
1945-46	1,880.0	3.4	49.6	35,880.0	Dec 22	5,240
1946-47	896.0	1.6	43.3	31,330.0	Dec 25	5,320
1947-48	498.0	3.6	20.5	14,890.0	Mar 24	4,900
1948-49	451.0	4.2	24.3	17,600.0	Dec 17	1,530
1949-50	804.0	.3	14.9	10,760.0	Feb 06	2,840
1950-51	487.0	.5	10.8	7,840.0	Jan 11	3,600
1951-52	8,130.0	.5	149.0	108,000.0	Jan 16	25,300
1952-53	1,370.0	.6	25.5	18,480.0	Dec 20	7,270
1953-54	2,570.0	.2	29.0	21,000.0	Feb 13	9,580
1954-55	1,510.0	.2	25.2	18,270.0	Jan 18	6,850
1955-56	7,290.0	.6	49.4	35,890.0	Jan 26	15,300
1956-57	2,390.0	.2	34.4	24,890.0	Feb 23	22,200
1957-58	4,650.0	.4	126.0	91,020.0	Feb 19	19,700
1958-59	3,790.0	.2	27.6	20,230.0	Jan 06	17,200
1959-60	1,420.0	+	23.3	16,910.0	Jan 12	8,960
1960-61	1,690.0	+	16.6	12,000.0	Nov 05	7,890
1961-62	8,510.0	+	120.0	86,910.0	Feb 12	32,500
1962-63	3,750.0	+	32.4	23,440.0	Feb 09	18,100
1963-64	1,950.0	+	27.9	20,320.0	Jan 22	12,200
1964-65	2,880.0	+	49.1	35,580.0	Apr 09	12,500
1965-66	12,600.0	.1	149.0	107,500.0	Dec 29	32,000
1966-67	7,720.0	.4	115.0	82,210.0	Nov 07	32,100

M	Data Missing
*	Record incomplete
E	Estimate
N.D.	Not determined
**	Record not Computed
+	Less than 0.05 Acre Feet or less than 0.05 CFS, but greater than 0

### RUNOFF – STREAM GAGING STATION PEAK FLOW

LOS ANGELES RIVER *above* Arroyo Seco  
STATION NO. F57C-R

Season	Daily CFS			Total Runoff (Acre-feet)	Peak Inflow	
	Maximum	Minimum	Mean		Date	CFS
1967-68	4,780.0	3.4	82.2	59,710.0	Mar 08	30,900
1968-69	23,400.0	4.0	425.0	307,400.0	Jan 25	41,800
1969-70	2,760.0	6.9	65.6	47,520.0	Mar 04	17,000
1970-71	12,900.0	7.4	129.0	93,310.0	Nov 29	41,500
1971-72	4,830.0	5.4	64.3	46,690.0	Dec 27	15,900
1972-73	9,190.0	6.7	157.0	114,000.0	Jan 18	28,230
1973-74	12,480.0	5.8	123.0	88,900.0	Jan 07	24,540
1974-75	5,750.0	4.2	88.6	64,120.0	Dec 04	27,570
1975-76	3,230.0	2.7	54.7	39,720.0	Feb 09	13,900
1976-77	4,710.0	1.6	91.2	66,020.0	Jan 03	23,300
1977-78	22,700.0	5.4	506.5	366,663.0	Feb 10	52,700
1978-79	6,240.0	18.8	192.0	139,101.0	Mar 27	25,800
1979-80	16,800.0	11.0	428.6	303,340.0	Feb 16	52,200
1980-81	3,340.0	14.9	104.9	75,932.0	Jan 29	28,200
1981-82	5,870.0	11.0	137.4	99,441.0	Mar 14	22,800
1982-83	25,100.0	22.2	560.4	405,695.0	Jan 27	44,500
1983-84	4,030.0	23.0	96.2	69,861.0	Dec 25	17,000
1984-85	3,380.0	30.0	98.3	71,160.0	Dec 19	9,270
1985-86	5,110.0	59.0	214.2	155,103.0	Jan 31	25,400
1986-87	2,090.0	70.2	101.5	73,480.0	Nov 17	13,000
1987-88	NO RECORD					
1988-89	NO RECORD					
1989-90	NO RECORD					
1990-91	NO RECORD					
1991-92	20,200.0	3.7	463.0	320,800.0	Feb 12	45,700
1992-93	*	*	*	*		*
1993-94	*	*	*	*		*
1994-95	19,900.0	114.0			Mar 10	44,900
1995-96	*	*	*	*		*
1996-97	3,760.0	86.0	213.0	154,100.0	Dec 09	17,900
1997-98	13,900.0	88.0	479.0	346,700.0	Feb 23	37,800
1998-99	1,520.0	85.0	159.0	113,900.0	Jan 31	11,600

M	Data Missing
*	Record incomplete
E	Estimate
N.D.	Not determined
**	Record not Computed
+	Less than 0.05 Acre Feet or less than 0.05 CFS, but greater than 0

### RUNOFF – STREAM GAGING STATION PEAK FLOW

**LOS ANGELES RIVER *below* Wardlow River Road  
STATION NO. F319-R**

Season	Daily CFS			Total Runoff (Acre-feet)	Peak Inflow	
	Maximum	Minimum	Mean		Date	CFS
1928-29	N.D.	N.D.	N.D.	N.D.	Mar 10	2,870
1929-30	1,270.0	.9	17.0	12,310.0	Mar 15	1,670
1930-31	1,390.0	.0	19.9	14,400.0	Feb 03	3,700
1931-32	7,130.0	.8	70.2	50,960.0	Feb 09	8,380
1932-33	3,310.0	.3	31.6	22,890.0	Jan 19	8,710
1933-34	19,900.0	.0	93.7	67,860.0	Jan 01	37,500
1934-35	2,930.0	1.6	55.9	40,470.0	Apr 08	11,000
1935-36	1,630.0	2.3	28.3	20,470.0	Feb 12	10,400
1936-37	6,800.0	3.3	126.0	91,110.0	Feb 14	20,500
1937-38	50,000.0	1.0	564.0	408,000.0	Mar 02	99000E
1938-39	6,220.0	3.5	114.0	82,750.0	Sep 25	17,300
1939-40	2830E	15.0	90.8	65,930.0	Feb 02	8,440
1940-41	11,120.0	18.0	510.0	369,500.0	Mar 04	18,170
1941-42	3,180.0	31.0	129.0	93,390.0	Dec 10	10,800
1942-43	18,100.0	28.0	366.0	264,900.0	Jan 23	37,900
1943-44	17,190.0	38.0	299.0	217,400.0	Feb 22	34,000
1944-45	3,020.0	33.0	138.0	100,200.0	Nov 12	11,600
1945-46	6,440.0	30.0	127.0	91,790.0	Dec 22	12,800
1946-47	5,750.0	18.0	146.0	106,000.0	Dec 26	18,810
1947-48	1,540.0	19.0	72.8	52,820.0	Mar 24	9,310
1948-49	1,790.0	13.0	61.3	44,350.0	Dec 17	5,520
1949-50	2,360.0	6.3	58.3	42,180.0	Feb 06	9,090
1950-51	1,610.0	5.6	50.6	36,600.0	Jan 29	9,040
1951-52	16,310.0	3.8	292.0	212,200.0	Jan 16	47,800
1952-53	2,932.0	1.9	61.4	44,490.0	Nov 15	21,100
1953-54	8,120.0	2.5	97.8	70,790.0	Feb 13	34,760
1954-55	4,180.0	2.2	83.0	60,120.0	Jan 18	17,750
1955-56	12,700.0	7.0	133.0	96,810.0	Jan 26	40,500
1956-57	4,550.0	5.5	67.3	48,710.0	Feb 23	23,000
1957-58	10,400.0	6.4	264.0	191,200.0	Feb 19	43,800
1958-59	6,340.0	7.2	68.2	49,390.0	Jan 06	31,000
1959-60	3,420.0	3.7	67.6	49,100.0	Jan 12	21,700
1960-61	2,860.0	1.3	44.2	32,000.0	Jan 26	9,450
1961-62	14,800.0	.6	245.0	177,400.0	Feb 12	42,200
1962-63	5,480.0	1.2	75.6	54,700.0	Feb 09	31,400
1963-64	4,150.0	5.3	64.8	47,020.0	Jan 22	16,000
1964-65	5,150.0	4.1	106.0	76,680.0	Apr 09	30,100

M	Data Missing
*	Record incomplete
E	Estimate
N.D.	Not determined
**	Record not Computed
+	Less than 0.05 Acre Feet or less than 0.05 CFS, but greater than 0

### RUNOFF – STREAM GAGING STATION PEAK FLOW

LOS ANGELES RIVER *below* Wardlow River Road  
STATION NO. F319-R

Season	Daily CFS			Total Runoff (Acre-feet)	Peak Inflow	
	Maximum	Minimum	Mean		Date	CFS
1965-66	22,500.0	3.0	342.0	247,900.0	Dec 29	61,500
1966-67	12,400.0	9.9	237.0	171,900.0	Nov 07	43,700
1967-68	13,600.0	18.0	173.0	125,800.0	Mar 08	48,900
1968-69	55,000.0	16.0	1,120.0	787,000.0	Jan 25	102,000
1969-70	5,300.0	22.0	128.0	92,070.0	Feb 28	5,300
1970-71	20,600.0	20.0	201*	145,300*	Nov 29	65,100
1971-72	8,550.0	17.0	106.0	77,560.0	Dec 24	28,700
1972-73	16,170.0	20.0	253.0	183,300.0	Feb 11	50,800
1973-74	17,200.0	17.0	190.0	137,800.0	Jan 07	42,800
1974-75	11,200.0	13.0	159.0	115,000.0	Dec 04	64,470
1975-76	4,660.0	11.5	100.0	72,670.0	Feb 09	16,025
1976-77	7,130.0	5.3	140.4	101,700.0	Jan 03	29,528
1977-78	42,323.0	11.0	923.0	668,337.0	Feb 10	94820
1978-79	13,000.0	33.0	379.2	274,500.0	Mar 27	50,900
1979-80	33,437.0	39.0	750	627,852.0	Feb 16	128,700
1980-81	6,550.0	27.0	173.2	125,893.0	Jan 29	33,800
1981-82	11,400.0	32.0	246.2	178,227.0	Apr 01	26,800
1982-83	52,000.0	38.0	1,047.0	758,465.0	Mar 01	81,800
1983-84	6,530.0	41.0	166.8	120,740.0	Dec 25	22,300
1984-85	6,370.0	34.0	1,970.0	118,440.0	Dec 19	23,500
1985-86	13,600.0	51.4	338.0	244,741.0	Feb 15	54,400
1986-87	4,050.0	92.6	164.0	118,510.0	Nov 18	15,500
1987-88	8,230.0	85.0	242.8	176,277.0	Dec 04	48,900
1988-89	3,740.0	101.0	195.0	141,249.0	Dec 16	16,900
1989-90	12,100.0	115.0	196.0	141,594.0	Feb 17	25,600
1990-91	10,700.0	108.0	310.0	224,410.0	Feb 28	42,400
1991-92	23,800.0	110.0	668.0	484,849.0	Feb 12	66,400
1992-93	35,000.0	123.0	1,549.0	1,122,000.0	Feb 08	86,000
1993-94	4,090.0	113.0	259.0	187,400.0	Mar 24	19,700
1994-95	43,900.0	92.5	1,186.0	740,000.0	Mar 11	112,000
1995-96	15,100.0	96.8	261.0	189,200.0	Feb 21	35,400
1996-97	7,390.0	91.0	299.0	216,300.0	Dec 09	28,600
1997-98	*	*	*	*		*
1998-99	*	*	*	*		*

M	Data Missing
*	Record incomplete
E	Estimate
N.D.	Not determined
**	Record not Computed
+	Less than 0.05 Acre Feet or less than 0.05 CFS, but greater than 0

### RUNOFF – STREAM GAGING STATION PEAK FLOW

LOS ANGELES RIVER *below* Firestone Blvd.

STATION NO. F34D-R

Season	Daily CFS			Total Runoff (Acre-feet)	Peak Inflow	
	Maximum	Minimum	Mean		Date	CFS
1927- 28	*	.0	*	6990*	Feb 04	1120*
1928- 29	775.0	.0	13.6	9,830.0	Nov 14	2,010
1929- 30	813.0	.0	13.4	9,730.0	Mar 15	2,210
1930- 31	1,560.0	1.4	18.6	13,450.0	Feb 04	4,360
1931- 32	2,650.0	.4	35.3	25,620.0	Feb 08	4,780
1932- 33	2,900.0	.0	23.5	17,020.0	Jan 19	7,070
1933- 34	8,550.0	.0	52.9	38,330.0	Jan 01	29,400
1934- 35	1,430.0	.0	40.3	29,170.0	Jan 05	10,400
1935- 36	1,040.0	.0	20.5	14,920.0	Feb 12	5,730
1936- 37	3,460.0	.0	67.2	48,630.0	Dec 30	10000E
1937- 38	40,000.0	.0	278.0	201,300.0	Mar 02	79,000
1938- 39	5090E	.0	108.0	78,440.0	Sep 25	10,800
1939- 40	2,410.0	14E	80.5	58,420.0	Jan 08	7,610
1940- 41	7,580.0	10.0	345.0	249,500.0	Feb 20	14,800
1941- 42	2,030.0	27.0	97.8	70,820.0	Dec 10	8,210
1942- 43	10,700.0	18.0	268.0	193,700.0	Jan 23	27,500
1943- 44	13,000.0	38.0	249.0	180,900.0	Feb 22	24,800
1944- 45	1,980.0	16.0	91.0	65,900.0	Feb 02	6,970
1945- 46	4,000.0	8.4	95.8	69,310.0	Dec 22	12,500
1946- 47	2,760.0	14.0	99.7	72,180.0	Dec 25	14,900
1947- 48	1,280.0	10.0	52.8	38,350.0	Mar 24	8,980
1948- 49	1,130.0	11.0	49.1	35,550.0	Dec 17	5,300
1949- 50	1,770.0	8.5	43.9	31,760.0	Feb 06	8,480
1950- 51	898.0	7.5	35.3	25,560.0	Jan 11	5,840
1951- 52	12,000.0	1.8	249.0	180,500.0	Jan 16	32,900
1952- 53	2,000.0	1.4	57.1	41,380.0	Nov 15	14,100
1953- 54	4,190.0	1.2	70.9	51,330.0	Feb 13	19,500
1954- 55	2,470.0	6.2	54.3	39,340.0	Jan 18	13,700
1955- 56	12,000.0	8.2	91.5	66,440.0	Jan 26	28,900
1956- 57	3,960.0	3.8	53.2	38,500.0	Feb 23	24,600
1957- 58	6,290.0	4.3	191.0	138,400.0	Feb 19	34,100
1958- 59	4,660.0	5.9	51.4	37,210.0	Jan 06	24,200
1959- 60	2,090.0	4.0	43.6	31,610.0	Jan 12	10,700
1960- 61	2,230.0	4.5	32.6	23,600.0	Nov 05	7,810
1961- 62	9,630.0	3.8	170.0	123,300.0	Feb 12	28,400
1962- 63	4,080.0	4.3	56.2	40,690.0	Feb 09	19,300
1963- 64	2,810.0	2.6	49.6	36,030.0	Jan 21	11,400

M Data Missing

\* Record incomplete

E Estimate

N.D. Not determined

\*\* Record not Computed

+ Less than 0.05 Acre Feet or less than 0.05 CFS, but greater than 0

### RUNOFF – STREAM GAGING STATION PEAK FLOW

LOS ANGELES RIVER *below* Firestone Blvd.

STATION NO. F34D-R

Season	Daily CFS			Total Runoff (Acre-feet)	Peak Inflow	
	Maximum	Minimum	Mean		Date	CFS
1964- 65	3,380.0	4.3	66.5	48,110.0	Apr 09	18,700
1965- 66	15,700.0	4.3	209.0	151,200.0	Dec 29	37,000
1966- 67	10,000.0	6.0	159.0	114,800.0	Nov 07	37,100
1967- 68	9,410.0	13.0	116.0	84,240.0	Mar 08	37,400
1968- 69	31,800.0	12.0	541.0	391,800.0	Jan 25	58,000
1969- 70	4,250.0	13.0	90.4	65,440.0	Feb 28	20,900
1970- 71	16,700.0	11.0	162.0	117,300.0	Nov 29	49,800
1971- 72	6,980.0	14.0	86.6	62,890.0	Dec 24	27,400
1972- 73	14,470.0	13.0	221.0	160,300.0	Jan 18	49,020
1973- 74	15,690.0	10.6	157.0	113,600.0	Jan 07	32,300
1974- 75	8,480.0	9.0	119.0	86,470.0	Dec 04	53,950
1975- 76	3,390.0	6.0	68.0	48,400.0	Sep 10	8160E
1976- 77	5,550.0	5.4	115.0	83,300.0	Jan 03	30,900
1977- 78	31,900.0	7.8	739.9	535,871.0	Feb 10	73,600
1978- 79	8,820.0	24.0	247.0	178,725.0	Mar 27	33,900
1979- 80	21,500.0	30.2	522.1	369,810.0	Feb 16	74,400
1980- 81	3,870.0	26.6	128.4	93,065.0	Jan 29	33,600
1981- 82	5,730.0	24.6	178.0	128,979.0	Mar 14	29,400
1982-83	32,400.0	33.7	729.0	527,837.0	Mar 01	58,400
1983-84	5,650.0	22.8	131.0	94,770.0	Dec 05	22,400
1984-85	4,560.0	33.7	127.6	46,523.0		N.D.
1985-86	*	*	*	*		*
1986-87	*	*	*	*		*
1987-88	NO RECORD					
1988-89	*	*	*	*		*
1989-90	6,060.0	100.0	150.0	108,676.0	Feb 17	14,700
1990-91	7,850.0	99.0	243.0	178,822.0	Feb 27	37,300
1991-92	16,500.0	101.0	431.0	313,100.0	Feb 12	49,800
1992-93	17,000.0	111.0	740.0	536,100.0	Dec 07	60,400
1993-94	3,870.0	92.6	192.0	138,800.0	Feb 20	21,100
1994-95	24,200.0	96.5	487.0	352,800.0	Mar 11	74,300
1995-96	9,110.0	87.2	189.0	137,200.0	Feb 21	37,900
1996-97	6,170.0	98.0	232.0	168,000.0	Dec 09	29,900
1997-98	23,600.0	96.0	732.0	530,100.0	Feb 03	60,100
1998-99	4,100.0	88.0	241.0	174,300.0	Jan 31	20,500

M	Data Missing
*	Record incomplete
E	Estimate
N.D.	Not determined
**	Record not Computed
+	Less than 0.05 Acre Feet or less than 0.05 CFS, but greater than 0



### RUNOFF – STREAM GAGING STATION PEAK FLOW

LOS ANGELES RIVER @ Tujunga Avenue  
STATION NO. F300-R

Season	Daily CFS			Total Runoff (Acre-feet)	Peak Inflow	
	Maximum	Minimum	Mean		Date	CFS
1950-51	181.0	2.6	12.3	8,910.0	Jan 29	598
1951-52	5,360.0	3.1	101.0	73,040.0	Jan 15	13,200
1952-53	851.0	6.5	27.1	19,610.0	Dec 01	2,900
1953-54	1,360.0	4.6	27.2	19,690.0	Feb 13	5,190
1954-55	842.0	5.7	30.4	22,000.0	Jan 10	4,560
1955-56	3,890.0	5.7	35.1	25,490.0	Jan 16	6,800
1956-57	1,300.0	4.5	27.2	19,700.0	Jan 13	6,060
1957-58	3,530.0	3.8	100.0	72,710.0	Apr 03	10,800
1958-59	2,080.0	4.8	29.2	21,180.0	Jan 06	12,800
1959-60	1,040.0	4.0	28.0	20,650.0	Jan 12	6,900
1960-61	1,010.0	3.2	18.3	13,260.0	Nov 05	6,600
1961-62	6,170.0	2.6	97.7	70,690.0	Feb 12	21,000
1962-63	2,200.0	4.0	34.1	24,690.0	Feb 09	8,700
1963-64	1,440.0	3.6	35.4	25,730.0	Jan 22	7,910
1964-65	2,020.0	5.0	50.4	36,490.0	Apr 09	7,840
1965-66	8,990.0	8.2	126.0	91,340.0	Dec 29	20,500
1966-67	5,860.0	5.2	83.3	60,320.0	Nov 07	21,000
1967-68	5,720.0	5.5	66.8	48,500.0	Mar 08	18,300
1968-69	19,100.0	4.8	355.0	256,800.0	Jan 25	30,800
1969-70	2,450.0	6.4	55.4	40,080.0	Mar 04	11,600
1970-71	9,170.0	7.0	95.4	69,090.0	Nov 29	25,900
1971-72	2,800.0	7.8	38.0	27,520.0	Dec 27	11,000
1972-73	6,470.0	5.5	101.0	73,100.0	Jan 18	17,900
1973-74	7,650.0	5.0	73.0	52,830.0	Jan 07	16,100
1974-75	3,570.0	5.0	57.1	41,310.0	Dec 04	16,740
1975-76	2,440.0	3.7	35.5	25,200.0	Feb 09	9,680
1976-77	2,920.0	1.5	50.9	36,850.0	Jan 03	15,300
1977-78	19,200.0	.8	454.6	329,106.0	Feb 10	30,100
1978-79	5,210.0	5.5	136.0	98,301.0	Mar 27	22,500
1979-80	944.0	8.0	278.0	202,049.0	Feb 16	29,625
1980-81	2,600.0	10.0	77.7	56,220.0	Jan 29	17,940
1981-82	3,610.0	5.0	72.7	52,648.0	Mar 17	17,800
1982-83	19,580.0	5.7	416.8	301,711.0	Mar 01	27,625
1983-84	NO RECORD					
1984-85	1,820.0	8.1	47.4	34,312.0	Dec 18	6,740
1985-86	3,060.0	20.0	126.0	91,248.0	Jan 31	16,700
1986-87	*	*	*	*		*

M	Data Missing
*	Record incomplete
E	Estimate
N.D.	Not determined
**	Record not Computed
+	Less than 0.05 Acre Feet or less than 0.05 CFS, but greater than 0

### RUNOFF – STREAM GAGING STATION PEAK FLOW

LOS ANGELES RIVER @ Tujunga Avenue  
STATION NO. F300-R

Season	Daily CFS			Total Runoff (Acre-feet)	Peak Inflow	
	Maximum	Minimum	Mean		Date	CFS
1987-88	3,850.0	31.7	164.4	118,911.0	Oct 22	24,300
1988-89	1,460.0	59.8	103.4	74,960.0	Dec 24	5,140
1989-90	2,910.0	55.6	93.5	67,699.0	Feb 17	7,296
1990-91	3,130.0	14.4	113.7	82,553.0	Feb 27	13,500
1991-92	10,800.0	33.7	239.0	173,398.0	Feb 11	22,300
1992-93	10,600.0	51.9	416.0	301,300.0	Feb 07	25,700
1993-94	2,390.0	54.7	133.0	96,020.0		N.D.
1994-95	10,800.0	53.7	252.0	167,800.0	Mar 10	35,000
1995-96	3,110.0	51.0	117.0	84,630.0	Feb 21	13,000
1996-97	2,590.0	53.0	156.0	112,700.0	Dec 09	12,300
1997-98	11,900.0	63.0	420.0	304,200.0	Feb 23	30,500
1998-99	1,200.0	36.0	85.0	61,630.0	Jan 31	9,320

M	Data Missing
*	Record incomplete
E	Estimate
N.D.	Not determined
**	Record not Computed
+	Less than 0.05 Acre Feet or less than 0.05 CFS, but greater than 0

### RUNOFF – STREAM GAGING STATION PEAK FLOW

**MALIBU CREEK below Cold Creek**
**STATION NO. F130-R**

Season	Daily CFS			Total Runoff (Acre-feet)	Peak Inflow	
	Maximum	Minimum	Mean		Date	CFS
1930-31	*	*	*	1920*	Feb 04	723
1931-32	1,770.0	+	20.2	14,670.0	Feb 09	3,100
1932-33	1,100.0	.1	12.7	9,190.0	Jan 19	4,460
1933-34	3,160.0	.1	17.1	12,370.0	Jan 01	9,650
1934-35	511.0	+	8.6	6,220.0		N.D.
1935-36	92.0	.0	3.2	2,310.0	Feb 23	147
1936-37	1,680.0	.0	33.1	23,940.0	Feb 14	2,760
1937-38	5,090.0	.2	47.1	34,100.0	Mar 02	10,000
1938-39	139.0	.0	6.4	4,630.0	Dec 20	331
1939-40	335.0	+	8.4	6,100.0	Feb 02	690
1940-41	2,200.0	.1	101.0	73,220.0	Feb 20	3,620
1941-42	32.0	.1	2.5	1,820.0	Dec 28	140
1942-43	5,370.0	.1	65.8	47,600.0	Jan 22	12,200
1943-44	3,400.0	.7	41.6	30,170.0	Feb 22	7,700
1944-45	210.0	.2	5.8	4,240.0	Feb 02	516
1945-46	267.0	.1	5.2	3,800.0	Mar 30	506
1946-47	142.0	.1	5.3	3,820.0	Nov 13	980
1947-48	15.0	+	.2	177.0	Mar 24	113
1948-49	.6	+	.1	90.0	May 18	1
1949-50	64.0	.0	.7	477.0	Feb 06	674
1950-51	.3	.0	.1	56.0	Jan 11	3
1951-52	6,720.0	.0	80.2	58,200.0	Mar 15	13,600
1952-53	81.0	+	4.0	2,940.0	Nov 15	322
1953-54	655.0	.1	6.9	4,990.0	Feb 13	2,250
1954-55	16.0	.1	1.0	758.0	Jan 18	45
1955-56	1,260.0	.1	6.5	4,680.0	Jan 26	3,600
1956-57	12.0	+	.6	444.0	Feb 23	46
1957-58	1,630.0	+	43.7	31,660.0	Apr 03	4,260
1958-59	114.0	.1	2.1	1,510.0	Jan 06	3,180
1959-60	17.0	+	.7	504.0	Apr 27	84
1960-61	2.0	+	.1	99.0	Jan 26	8
1961-62	3,920.0	+	36.3	26,150.0	Feb 10	7,060
1962-63	24.0	+	1.0	701.0	Mar 16	104
1963-64	17.0	+	.5	384.0	Jan 22	65
1964-65	148.0	+	2.2	1,560.0	Apr 09	521
1965-66	7,060.0	.2	51.8	37,520.0	Dec 29	20,600
1966-67	2,710.0	.9	35.5	25,700.0	Jan 24	10,200

M	Data Missing
*	Record incomplete
E	Estimate
N.D.	Not determined
**	Record not Computed
+	Less than 0.05 Acre Feet or less than 0.05 CFS, but greater than 0

### RUNOFF – STREAM GAGING STATION PEAK FLOW

MALIBU CREEK *below* Cold Creek

STATION NO. F130-R

Season	Daily CFS			Total Runoff (Acre-feet)	Peak Inflow	
	Maximum	Minimum	Mean		Date	CFS
1967-68	1,350.0	1.0	18.5	13,430.0	Mar 08	3,830
1968-69	24,200.0	1.4	166.0	119,900.0	Jan 25	33,800
1969-70	368.0	.5	9.9	7,200.0	Mar 04	1,150
1970-71	1,480.0	1.2	23.7	17,300.0	Dec 19	7,390
1971-72	582.0	.9	6.0	4,340.0	Dec 27	2,120
1972-73	3,340.0	.8	35.1	25,400.0	Feb 11	7,480
1973-74	2,240.0	2.7	22.0	15,910.0	Jan 07	5,100
1974-75	519.0	2.3	15.2	11,020.0	Dec 04	2,670
1975-76	163.0	1.1	5.4	3,910.0	Feb 09	339
1976-77	315.0	1.1	6.9	4,980.0	Jan 07	597
1977-78	7,620.0	1.7	112.4	80,990.0	Mar 04	19,400
1978-79	1,220.0	2.3	46.4	33,408.0	Mar 27	4,420
1979-80	1,080.0	N.D.	N.D.	22,308.0	Feb 16	42,170
1980-81	357.0	1.7	13.5	9,832.0	Mar 05	910
1981-82	400.0	2.2	13.9	10,031.0	Mar 17	676
1982-83	7,720.0	2.7	121.8	88,148.0	Mar 01	24,200
1983-84	758.0	2.5	24.1	17,411.0	Dec 25	1,840
1984-85	588.0	.9	16.6	12,002.0	Dec 19	880
1985-86	1,480.0	1.4	39.3	27,881.0	Feb 15	5,880
1986-87	216.0	.5	8.6	6,236.0	Nov 18	653
1987-88	559.0	.6	24.0	17,337.0	Feb 28	1,680
1988-89	257.0	1.6	12.3	8,876.0	Feb 09	441
1989-90	*	*	*	*		*
1990-91	982.0	.8	20.5	14,872.0	Mar 19	3,150
1991-92	5,850.0	2.0	92.7	67,330.0	Feb 10	23,300
1992-93	*	*	*	*		*
1993-94	880.0	.9	16.7	11,090.0	Feb 12	2,450
1994-95	4,530.0	3.1	97.8	68,700.0	Mar 11	15,700
1995-96	637.0	1.5	12.9	9,395.0	Feb 21	1,220
1996-97	807.0	3.2	43.1	31,180.0	Dec 09	1,800
1997-98	4,020.0	2.4	113.0	81,700.0	Feb 07	19,100
1998-99	134.0	2.8	10.3	7,430.0	Apr 11	761

M	Data Missing
*	Record incomplete
E	Estimate
N.D.	Not determined
**	Record not Computed
+	Less than 0.05 Acre Feet or less than 0.05 CFS, but greater than 0

### RUNOFF – STREAM GAGING STATION PEAK FLOW

**MINT CANYON CREEK @ Fitch Avenue  
STATION NO. F328-R**

Season	Daily CFS			Total Runoff (Acre-feet)	Peak Inflow	
	Maximum	Minimum	Mean		Date	CFS
1957-58	66.0	.0	.6	435.0	Dec 15	708
1958-59	14.0	.0	+	44.0	Jan 06	317
1959-60	.3	.0	+	2.0	Jan 10	8
1960-61	3.6	.0	+	14.0	Nov 05	64
1961-62	49.0	.0	.4	257.0	Feb 11	176
1962-63	3.0	.0	+	26.0	Sep 18	70
1963-64	13.0	.0	.1	45.0	Apr 01	111
1964-65	17.0	.0	.1	66.0	Apr 08	94
1965-66	71.0	.0	.8	588.0	Nov 17	684
1966-67	14.0	.0	.1	72.0	Dec 03	185
1967-68	13.0	.0	+	34.0	Nov 19	251
1968-69	1,030.0	.0	4.4	3,190.0	Feb 25	3,500
1969-70	5.0	.0	.1	25.0	Feb 28	46
1970-71	85.0	.0	.4	328.0	Nov 29	943
1971-72	5.9	.0	.1	35.0	Dec 27	60
1972-73	25.0	.0	.2	117.0	Feb 11	184
1973-74	2.8	.0	+	13.0	Jan 07	11
1974-75	4.4	.0	+	27.0	Mar 08	85
1975-76	12.0	.0	.1	46.0	Sep 05	389
1976-77	3.9	.0	.0	18.0	May 08	43
1977-78	181	.0	1.6	1,188.0	Mar 04	958
1978-79	48.0	.0	.2	144.0	Mar 28	395
1979-80	119.4	.0	1.7	1,201.0	Feb 16	415
1980-81	8.2	.0	.3	237.0	Jan 28	80
1981-82	22.6	.0	8.6	483.0	Mar 17	157
1982-83	392.0	.0	2.6	1,873.0	Mar 02	1,353
1983-84	1.8	.0	.2	202.0	Dec 25	6
1984-85	16.1	.0	.1	65.0	Dec 19	46
1985-86	59.7	.0	9.9	302.0	Mar 16	188
1986-87	.0	.0	.0	.0		0
1987-88	8.8	.0	.1	46.0		
1988-89	19.0	.0	.2	131.0	Feb 09	71
1989-90	37.8	.0	.5	356.0		
1990-91	.0	.0	.0	.0		0
1991-92	*	*	*	*		*
1992-93	77.1	.0	4.0	2,929.0	Mar 22	87
1993-94	1.5	.0	.5	392.0	Feb 04	2

M	Data Missing
*	Record incomplete
E	Estimate
N.D.	Not determined
**	Record not Computed
+	Less than 0.05 Acre Feet or less than 0.05 CFS, but greater than 0

### RUNOFF – STREAM GAGING STATION PEAK FLOW

MINT CANYON CREEK @ Fitch Avenue  
STATION NO. F328-R

Season	Daily CFS			Total Runoff (Acre-feet)	Peak Inflow	
	Maximum	Minimum	Mean		Date	CFS
1994-95	43.5	.1	*	*	Jan 10	157
1995-96	60.4	.0	.7	478.0		*
1996-97	4.0	.0	.1	59.0	Jan 26	33
1997-98	276.0	.0	1.5	1,080.0	Feb 23	1,560
1998-99	4.7	.0	.9	68.0	Oct 18	27

M	Data Missing
*	Record incomplete
E	Estimate
N.D.	Not determined
**	Record not Computed
+	Less than 0.05 Acre Feet or less than 0.05 CFS, but greater than 0

### RUNOFF – STREAM GAGING STATION PEAK FLOW

**MONTEBELLO STORM DRAIN outlet to Rio Hondo  
STATION NO. F181-R**

Season	Daily CFS			Total Runoff (Acre-feet)	Peak Inflow	
	Maximum	Minimum	Mean		Date	CFS
1931-32	*	.0	*	1120*	Jan 31	531
1932-33	125.0	.0	.8	529.0	Jan 19	713
1933-34	391.0	.0	2.6	1,910.0	Jan 01	1,360
1934-35	114.0	.0	2.3	1,650.0	Jan 05	1,140
1935-36	55.0	.0	1.2	889.0	Feb 14	374
1936-37	NO RECORD					
1937-38	N.D.	N.D.	N.D.	N.D.	Mar 02	1400E
1938-39	147.0	.0	1.4	981.0	Sep 25	688
1939-40	77.0	.1	1.2	885.0	Feb 01	729
1940-41	204.0	.1	5.6	4,090.0	Mar 03	936
1941-42	102.0	.1	1.3	962.0	Dec 10	521
1942-43	300E	.1	3.6	2,580.0		N.D.
1943-44	323E	.1	3.3	2,390.0	Feb 22	1,040
1944-45	64.0	0.1E	.8	768.0	Nov 11	506
1945-46	92.0	.0	1.2	865.0	Dec 22	384
1946-47	144.0	.1	1.9	1,350.0	Nov 13	1,240
1947-48	86.0	.1	1.3	913.0	Dec 05	1,230
1948-49	41.0	.1	1.2	861.0	Dec 17	347
1949-50	95.0	.1	1.7	1,240.0	Jan 08	790
1950-51	50.0	.1	1.2	888.0	Jan 10	333
1951-52	302.0	.1	4.6	3,330.0	Mar 07	1,010
1952-53	97.0	.1	2.0	1,430.0	Nov 15	770
1953-54	232.0	.1	3.0	2,190.0	Feb 13	1,010
1954-55	*	*	*	1210*	Jan 18	759
1955-56	463.0	+	2.9	2,110.0	Jan 26	856
1956-57	65.0	+	1.6	1,120.0	Feb 28	570
1957-58	199.0	+	4.5	3,250.0	Feb 19	865
1958-59	109.0	.1	1.7	1,230.0	Jan 06	869
1959-60	96.0	.1	2.1	1,530.0	Jan 12	784
1960-61	65.0	.1	1.2	884.0	Nov 26	478
1961-62	225.0	.1	4.6	3,370.0	Feb 12	783
1962-63	129.0	.3	2.1	1,530.0	Mar 16	851
1963-64	77.0	.2	1.8	1,280.0	Nov 19	553
1964-65	124.0	+	2.7	1,970.0	Apr 09	844
1965-66	281.0	.1	4.4	3,200.0	Dec 29	904
1966-67	288.0	.2	4.9	3,560.0	Jan 24	1,060
1967-68	198.0	.2	2.9	2,130.0	Mar 08	923

M	Data Missing
*	Record incomplete
E	Estimate
N.D.	Not determined
**	Record not Computed
+	Less than 0.05 Acre Feet or less than 0.05 CFS, but greater than 0

### RUNOFF – STREAM GAGING STATION PEAK FLOW

**MONTEBELLO STORM DRAIN outlet to Rio Hondo  
STATION NO. F181-R**

Season	Daily CFS			Total Runoff (Acre-feet)	Peak Inflow	
	Maximum	Minimum	Mean		Date	CFS
1968-69	424.0	.2	8.5	6,165.0	Jan 25	1600E
1969-70	135.0	+	2.4	1,740.0	Feb 10	792
1970-71	169.0	+	2.8	2,000.0	Nov 29	833
1971-72	142.0	.2	1.6	1,160.0	Dec 24	637
1972-73	140.0	.1	3.8	2,740.0	Feb 27	811
1973-74	128.0	+	1.4	988.0	Jan 07	546
1974-75	61.0	+	1.0	748.0	Dec 04	608
1975-76	39.0	+	.8	603.0	Sep 11	240
1976-77	36.1	.0	.7	490.0	May 08	226
1977-78	318.0	.0	4.2	3,050.0	Jan 16	991
1978-79	107.0	.0	1.7	1,239.0	Mar 27	619
1979-80	809.0	.0	9.6	6,759.0		N.D.
1980-81	52.8	.0	.7	515.0	Mar 02	293
1981-82	62.2	.0	1.0	728.0	Nov 28	341
1982-83	630.0	.0	6.0	4,319.0	Mar 01	1,620
1983-84	31.7	.0	6.0	455.0	Oct 01	506
1984-85	43.5	.0	.9	644.0	Dec 19	469
1985-86	77.6	.0	1.4	1,327.0	Feb 14	676
1986-87	38.6	.0	.5	391.0	Oct 02	520
1987-88	81.2	.0	1.1	775.0	Jan 17	493
1988-89	30.3	.1	1.0	726.0	Dec 21	255
1989-90	110.0	.1	1.1	767.0	Feb 17	500
1990-91	74.8	.0	1.3	907.0	Feb 27	486
1991-92	183.0	.1	2.2	1,565.0	Feb 12	1,020
1992-93	204.0	.0	4.6	3,364.0	Dec 07	1,040
1993-94	47.7	.0	.7	536.0	Mar 19	542
1994-95	131.0	.0	4.0	2,896.0	Jan 10	1,340
1995-96	134.0	.0	1.1	792.0	Feb 20	899
1996-97	35.0	.0	1.0	745.0	Jan 15	290
1997-98	60.0	+	1.7	1,230.0	Feb 06	658
1998-99	26.0	.0	.5	358.0	Nov 28	214

M	Data Missing
*	Record incomplete
E	Estimate
N.D.	Not determined
**	Record not Computed
+	Less than 0.05 Acre Feet or less than 0.05 CFS, but greater than 0



### RUNOFF – STREAM GAGING STATION PEAK FLOW

PALLETT CREEK @ Valyermo Highway  
STATION NO. F122-R

Season	Daily CFS			Total Runoff (Acre-feet)	Peak Inflow	
	Maximum	Minimum	Mean		Date	CFS
1961-62	92.0	0.0	0.4	311.0	Feb 11	259
1962-63	0.7	0.0	0.3	190.0	Feb 09	3
1963-64	0.0	0.0	0.0	0.0		0
1964-65	0.3	0.0	+	1.0	Aug 12	16
1965-66	53.0	0.0	1.5	1,110	Dec 29	176
1966-67	3.8	0.3	0.8	618.0	Dec 06	7
1967-68	5.0	0.3	0.8	615.0	Nov 21	10
1968-69	770.0	0.3	7.8	5,640	Feb 25	1,480
1969-70	37.0	0.6	1.2	846.0	Feb 28	161
1970-71	183.0	0.1	1.0	744.0	Nov 29	839
1971-72	56.0	0.1	0.6	452.0	Dec 25	282
1972-73	6.5	+	0.2	156.0	Feb 11	24
1973-74	0.6	0.1	0.3	213.0	Dec 11	1
1974-75	1.6	0.0	0.2	140.0	Dec 04	10
1975-76	2.5	0.0	0.1	87.0	Sep 24	51
1976-77	2.5	0.0	0.1	39.0	May 08	10
1977-78	1,220	0.0	33.4	24,170	Feb 10	1,630
1978-79	156.0	0.6	5.9	4,312	Mar 29	191
1979-80	210.0	0.0	7.6	5,487	Feb 16	1,470
1980-81	15.8	0.0	1.7	1,193	Mar 01	60
1981-82	12.8	0.0	0.6	423.0	Apr 11	49
1982-83	454.0	0.0	11.9	8,626	Mar 01	831
1983-84	15.0	0.2	1.8	1,282	Jul 30	147
1984-85	11.6	0.0	0.4	292.0	Dec 27	14
1985-86	37.3	0.0	0.9	622.0	Jan 30	124
1986-87	1.5	0.0	0.4	264.0	Feb 25	3
1987-88	21.9	0.0	0.3	245.0		N.D.
1988-89	0.5	0.0	0.1	105.0	Dec 16	1
1989-90	0.0	0.0	0.0	0.0		0
1990-91	0.0	0.0	0.0	0.0		0
1991-92	240.0	0.0	4.9	3,570	Feb 12	670
1992-93	498.0	0.4	15.2	10,980	Feb 24	621

M	Data Missing
*	Record incomplete
E	Estimate
N.D.	Not determined
**	Record not Computed
+	Less than 0.05 Acre Feet or less than 0.05 CFS, but greater than 0

<b>RUNOFF – STREAM GAGING STATION PEAK FLOW</b>
---

PALLETT CREEK @ Valyermo Highway  
STATION NO. F122-R

Season	Daily CFS			Total Runoff (Acre-feet)	Peak Inflow	
	Maximum	Minimum	Mean		Date	CFS
1993-94	2.0	0.2	1.0	645.0		N.D.
1994-95	133.0	0.0	6.8	4,934	Mar 11	579
1995-96	1.6	0.0	0.7	534.0	Jul 24	14
1996-97	0.4	0.0	0.1	90.0	Feb 08	0
1997-98	47.0	0.0	5.1	3,680	Feb 23	231
1998-99	2.6	0.1	0.9	655.0	Nov 28	6

M	Data Missing
*	Record incomplete
E	Estimate
N.D.	Not determined
**	Record not Computed
+	Less than 0.05 Acre Feet or less than 0.05 CFS, but greater than 0

### RUNOFF – STREAM GAGING STATION PEAK FLOW

**RIO HONDO *below* Lower Azusa Avenue  
STATION NO. F192B-R**

Season	Daily CFS			Total Runoff (Acre-feet)	Peak Inflow	
	Maximum	Minimum	Mean		Date	CFS
1931-32	*	*	*	12710*		N.D.
1932-33	937.0	.0	5.2	3,800.0	Jan 20	5,160
1933-34	2,700.0	.0	11.2	8,110.0	Jan 01	5,860
1934-35	324.0	.0	11.3	8,160.0	Apr 08	604
1935-36	114.0	.0	4.7	3,400.0	Feb 11	391
1936-37	904.0	.0	38.6	27,960.0	Feb 20	1,030
1937-38	10,500.0	.0	241.0	174,300.0	Mar 02	31,000
1938-39	191.0	.0	2.2	1,570.0	Jan 05	680
1939-40	224.0	.0	5.0	3,640.0	Jan 07	288
1940-41	2,220.0	.0	113.0	81,450.0	Mar 04	4,000
1941-42	214.0	.1	2.7	1,980.0	Dec 10	254
1942-43	1,300.0	.0	14.7	10,680.0	Jan 23	3,500
1943-44	502.0	.3	15.9	11,600.0	Feb 22	1,080
1944-45	112.0	.1	1.9	1,380.0	Nov 11	1,060
1945-46	267.0	.0	18.0	13,030.0	Dec 23	483
1946-47	279.0	.0	11.8	8,560.0	Nov 27	283
1947-48	570.0	.0	7.2	5,250.0	Jun 07	584
1948-49	4.9	.0	.1	71.0	Feb 27	50
1949-50	24.0	.0	.3	203.0	Dec 18	124
1950-51	24.0	.0	.3	234.0	Jan 11	636
1951-52	753.0	.0	8.7	6,340.0	Jan 16	2,180
1952-53	785.0	.0	9.0	6,550.0	Nov 15	944
1953-54	654.0	.0	14.9	10,800.0	Feb 13	1,740
1954-55	184.0	.0	2.0	1,460.0	Jan 18	2,340
1955-56	1,020.0	.0	4.0	2,940.0	Jan 26	3,030
1956-57	390.0	.0	5.9	4,280.0	Feb 23	2,270
1957-58	735.0	.0	32.6	23610*	Feb 19	1,530
1958-59	218.0	.0	1.8	1290*	Jan 06	1,530
1959-60	30.0	.0	.4	303.0	Jan 12	185
1960-61	16.0	.0	.2	131.0	Nov 05	132
1961-62	630.0	.0	13.1	9,460.0	Feb 12	856
1962-63	28.0	.0	.3	221.0	Mar 16	182
1963-64	22.0	.0	.3	187.0	Jan 21	296
1964-65	32.0	.0	.5	340.0	Apr 09	397
1965-66	261.0	.0	7.7	5,570.0	Nov 24	1,440
1966-67	175.0	.0	14.7	10,620.0	Jan 22	438
1967-68	61.0	.0	.8	576.0	Mar 08	714

M	Data Missing
*	Record incomplete
E	Estimate
N.D.	Not determined
**	Record not Computed
+	Less than 0.05 Acre Feet or less than 0.05 CFS, but greater than 0

### RUNOFF – STREAM GAGING STATION PEAK FLOW

**RIO HONDO *below* Lower Azusa Avenue  
STATION NO. F192B-R**

Season	Daily CFS			Total Runoff (Acre-feet)	Peak Inflow	
	Maximum	Minimum	Mean		Date	CFS
1968-69	4,380.0	.0	100.0	72,550.0	Jan 25	10,600
1969-70	251.0	.0	5.0	3,580.0	Mar 04	1,160
1970-71	95.0	.0	4.2	3,060.0	Nov 29	446
1971-72	5.0	.0	.3	210.0	Dec 24	266
1972-73	270.0	.0	14.5	10,520.0	Feb 27	2,390
1973-74	144.0	.0	5.1	3,720.0	Jan 07	196
1974-75	54.0	+	.7	538.0	Dec 04	643
1975-76	34.0	.0	.5	345.0	Sep 11	635
1976-77	22.5	.0	.5	393.0	May 09	230
1977-78	1,910.0	.0	84.7	61,266.0	Mar 01	3,480
1978-79	163.0	.0	19.7	14,291.0	Feb 21	311
1979-80	1,490.0	.0	77.5	55,368.0	Feb 16	3,050
1980-81	237.0	.0	17.8	13,060.0	Dec 16	3,070
1981-82	196.0	.0	11.5	8,293.0	Sep 23	342
1982-83	350.0	.0	66.3	48,030.0	Apr 18	350
1983-84	251.0	.0	15.5	11,194.0	Nov 01	303
1984-85	12.5	.0	.2	175.0	Nov 08	216
1985-86	318.0	.0	36.7	26,570.0	Feb 15	357
1986-87	24.7	.0	.2	171.0	Jan 04	296
1987-88	223.0	.0	5.9	4,290.0	Dec 04	350
1988-89	12.7	.0	2.8	173.0	Dec 15	109
1989-90	46.2	.0	.4	259.0	Feb 17	236
1990-91	388.0	.0	11.3	7,831.0	Aug 01	356
1991-92	809.0	.0	25.4	18,429.0	Feb 13	3,860
1992-93	1,010.0	.0	65.6	47,470.0	Feb 19	3,190
1993-94	47.0	.0	2.4	1,748.0	Dec 14	272
1994-95	803.0	.0	33.8	24,500.0	Mar 11	3,210
1995-96	665.0	.0	29.1	21,100.0	Feb 21	1,400
1996-97	250.0	.0	15.8	11,400.0	Jan 26	634
1997-98	1,270.0	.0	35.4	25,610.0	Feb 07	3,670
1998-99	125.0	.0	3.2	2,290.0	Nov 08	348

M	Data Missing
*	Record incomplete
E	Estimate
N.D.	Not determined
**	Record not Computed
+	Less than 0.05 Acre Feet or less than 0.05 CFS, but greater than 0

### RUNOFF – STREAM GAGING STATION PEAK FLOW

**RIO HONDO *above* Stuart and Gray Road  
STATION NO. F45B-R**

Season	Daily CFS			Total Runoff (Acre-feet)	Peak Inflow	
	Maximum	Minimum	Mean		Date	CFS
1927-28	*	.0	*	269*	Mar 06	4*
1928-29	248.0	.0	3.4	2,460.0	Apr 04	912
1929-30	285.0	.0	2.8	2,000.0	Mar 15	743
1930-31	335.0	.0	2.6	1,900.0	Feb 04	841
1931-32	3,440.0	.0	27.4	19,920.0	Feb 09	4,610
1932-33	971.0	.0	6.2	4,450.0	Jan 19	2,730
1933-34	5,810.0	.0	23.5	17,030.0	Jan 01	16,000
1934-35	667.0	.0	8.3	6,000.0	Apr 08	3,450
1935-36	472.0	.0	5.8	4,220.0	Feb 12	3,160
1936-37	1,460.0	.0	37.1	26,870.0	Feb 14	4,800
1937-38	12,700.0	.0	238.0	172,100.0	Mar 03	24400E
1938-39	910.0	.0	13.2	9,540.0	Dec 18	5,260
1939-40	442.0	.0	6.7	4,850.0	Jan 08	1,930
1940-41	3,690.0	.0	129.0	93,260.0	Mar 04	6,420
1941-42	564.0	.0	9.3	6,730.0	Dec 10	4,240
1942-43	4,660.0	.0	57.9	41,910.0	Jan 23	11,800
1943-44	2570E	.0	36.9	26,820.0	Feb 22	6,670
1944-45	492.0	.0	11.7	8,460.0	Nov 11	4,500
1945-46	1,130.0	.0	15.6	11,280.0	Dec 22	4,270
1946-47	923.0	.0	22.1	16,030.0	Nov 13	5,950
1947-48	425.0	.0	4.8	3,510.0	Mar 24	2,880
1948-49	268.0	.0	2.1	1,490.0	Jan 20	713
1949-50	402.0	.0	3.9	2,840.0	Jan 08	1,790
1950-51	135.0	.0	1.1	781.0	Jan 29	1,080
1951-52	2,430.0	.0	35.9	26,040.0	Jan 16	9,040
1952-53	571.0	.0	4.8	3,450.0	Nov 15	4,600
1953-54	1,780.0	.0	14.9	10,760.0	Feb 13	8,860
1954-55	753.0	.0	11.1	8,000.0	Jan 18	4,160
1955-56	4,910.0	.0	20.0	14,540.0	Jan 26	11,600
1956-57	967.0	.0	6.4	4,640.0	Feb 23	6,560
1957-58	2,230.0	.0	41.8	30,260.0	Feb 19	10,800
1958-59	915.0	.0	5.4	3,900.0	Jan 06	11,000
1959-60	219.0	.0	3.3	2,370.0	Jan 12	3,030
1960-61	115.0	.0	1.2	831.0	Nov 26	2,090
1961-62	2,080.0	.0	31.4	22,780.0	Feb 19	7,100
1962-63	620.0	.0	4.5	3,280.0	Feb 09	4,240
1963-64	190.0	.0	2.4	1,730.0	Jan 22	2,060

M	Data Missing
*	Record incomplete
E	Estimate
N.D.	Not determined
**	Record not Computed
+	Less than 0.05 Acre Feet or less than 0.05 CFS, but greater than 0

### RUNOFF – STREAM GAGING STATION PEAK FLOW

**RIO HONDO *above* Stuart and Gray Road  
STATION NO. F45B-R**

Season	Daily CFS			Total Runoff (Acre-feet)	Peak Inflow	
	Maximum	Minimum	Mean		Date	CFS
1964-65	1,130.0	.0	7.3	5,310.0	Apr 09	8,780
1965-66	4,810.0	+	95.8	69,390.0	Dec 29	19,000
1966-67	5,210.0	+	26.6	21,530.0	Jan 24	20,100
1967-68	4,300.0	+	25.3	18,360.0	Mar 08	17,900
1968-69	23,100.0	+	424.0	307,100.0	Jan 25	46,900
1969-70	964.0	+	10.0	7,220.0	Feb 28	7,540
1970-71	2,430.0	+	13.1	9,520.0	Nov 29	9,350
1971-72	2,420.0	+	6.0	4,409.0	Dec 24	11,400
1972-73	2,550.0	+	21.9	15,860.0	Feb 11	15,180
1973-74	3,360.0	+	15.4	11,180.0	Jan 07	11,710
1974-75	303.0	+	9.5	6,910.0	Dec 04	13,250
1975-76	920.0	+	9.4	6,660.0	Sep 11	9,820
1976-77	619.0	.0	6.9	5,020.0	Oct 23	2,890
1977-78	13,800.0	+	270.0	195,463.0	Mar 01	32,000
1978-79	4,600.0	.5	46.5	33,662.0	Mar 27	25,600
1979-80	16,000.0	.5	313.4	221,877.0	Feb 16	48,100
1980-81	2,050.0	.0	13.2	9,539.0	Mar 01	13,500
1981-82	4,410.0	.0	28.7	20,768.0	Nov 28	17,100
1982-83	20,600.0	.0	236.5	172,592.0	Mar 01	38,400
1983-84	2,600.0	.0	17.2	12,502.0	Oct 01	9,480
1984-85	1,400.0	.0	14.1	10,216.0	Feb 09	7,130
1985-86	4,500.0	.0	*	*	Feb 15	19,400
1986-87	1,730.0	.1	8.6	6,256.0	Jan 04	10,000
1987-88	2,660.0	.0	16.7	12,111.0	Jan 17	11,300
1988-89	1,280.0	.1	12.4	8,967.0	Dec 21	6,050
1989-90	5,030.0	.1	16.9	12,222.0	Feb 17	17,500
1990-91	3,880.0	.0	34.1	24,720.0	Feb 27	19,600
1991-92	6,930.0	.1	56.7	41,160.0	Feb 12	32,000
1992-93	11,200.0	.0	386.0	279,400.0	Feb 18	32,800
1993-94	260.0	.0	10.0	7,222.0	Mar 19	4,240
1994-95	10,500.0	.1	164.0	119,100.0	Jan 10	37,400
1995-96	6,320.0	.0	40.3	29,240.0	Feb 20	20,200
1996-97	3,420.0	.1	30.7	22,230.0	Jan 25	13,300
1997-98	9,700.0	.0	178.0	129,200.0	Feb 08	34,700
1998-99	417.0	.0	3.9	2,850.0	Nov 08	2,360

M	Data Missing
*	Record incomplete
E	Estimate
N.D.	Not determined
**	Record not Computed
+	Less than 0.05 Acre Feet or less than 0.05 CFS, but greater than 0

### RUNOFF – STREAM GAGING STATION PEAK FLOW

**RUBIO DIVERSION CHANNEL *below* Gooseberry Inlet**
**STATION NO. F338-R**

Season	Daily CFS			Total Runoff (Acre-feet)	Peak Inflow	
	Maximum	Minimum	Mean		Date	CFS
1959-60	.8	.0	.0	9.0	Jan 11	9
1960-61	.8	.0	.0	6.0	Jan 26	5
1961-62	7.9	.0	.1	62.0	Feb 11	22
1962-63	2.6	.0	.0	20.0	Feb 10	32
1963-64	.8	.0	.0	14.0	Jan 21	8
1964-65	1.0	.0	.0	30.0	Nov 09	21
1965-66	18.3	.0	.3	206.0	Dec 29	63
1966-67	12.5	.0	.2	127.0	Jan 22	63
1967-68	18.2	.0	.2	112.0	Nov 19	267
1968-69	254.0	.0	4.2	3,050.0	Jan 25	880
1969-70	11.7	.0	.4	272.0	Feb 28	146
1970-71	36.0	.0	.6	413.0	Nov 29	266
1971-72	M	M	M	M		M
1972-73	58.0	+	1.5	1,098.0	Jan 18	114
1973-74	22.6	+	2.8	1,994.0	Nov 18	76
1974-75	11.0	+	.9	627.0	Mar 06	85
1975-76	13.0	.0	.6	431.0	Feb 09	88
1976-77	4.8	.0	.5	384.0	May 09	47
1977-78	76.3	.0	3.0	2,141.0	Mar 04	276
1978-79	5.0	.0	.7	494.0	Mar 28	71
1979-80	108.0	.2	8.9	6,438.0	Feb 19	1,400
1980-81	13.3	.4	3.6	2,598.0	May 02	115
1981-82	20.7	.0	2.1	1,519.0	Apr 01	106
1982-83	150.0	.2	3.1	2,391.0		296
1983-84	16.5	.0	1.0	740.0	Oct 04	184
1984-85	9.8	.0	.5	332.0	Jan 18	31
1985-86	8.2	.0	7.8	463.0		N.D.
1986-87	NO RECORD					
1987-88	9.0	.0	.7	526.0		N.D.
1988-89	6.0	.0	.9	631.0	Mar 25	6
1989-90	5.2	.0	.3	232.0		N.D.
1990-91	16.3	.0	.3	249.0	Mar 01	16
1991-92	45.4	.0	2.2	1,592.0	Feb 10	191
1992-93	*	*	*	*		*
1993-94	*	*	*	*		*
1994-95	71.6	.0	2.8	2,056.0	Feb 14	170
1995-96	41.2	.0	1.6	1,139.0	Feb 20	131

M	Data Missing
*	Record incomplete
E	Estimate
N.D.	Not determined
**	Record not Computed
+	Less than 0.05 Acre Feet or less than 0.05 CFS, but greater than 0

## RUNOFF – STREAM GAGING STATION PEAK FLOW

**RUBIO DIVERSION CHANNEL** *below* Gooseberry Inlet  
**STATION NO. F338-R**

Season	Daily CFS			Total Runoff (Acre-feet)	Peak Inflow	
	Maximum	Minimum	Mean		Date	CFS
1996-97	5.8	.0	.8	601.0	Sep 25	31
1997-98	9.8	.0	1.5	1,050.0	Mar 02	106
1998-99	27.0	.0	1.4	1,030.0	Mar 15	179

M	Data Missing
*	Record incomplete
E	Estimate
N.D.	Not determined
**	Record not Computed
+	Less than 0.05 Acre Feet or less than 0.05 CFS, but greater than 0



### RUNOFF – STREAM GAGING STATION PEAK FLOW

RUBIO WASH @ Glendon Way  
STATION NO. F82C-R

Season	Daily CFS			Total Runoff (Acre-feet)	Peak Inflow	
	Maximum	Minimum	Mean		Date	CFS
1930-31	107.0	.0	1.5	1,110.0	Feb 03	1,690
1931-32	124.0	.0	2.1	1,490.0	Nov 27	798
1932-33	234.0	.0	1.5	1,110.0	Jan 16	1,510
1933-34	684.0	.0	3.6	2,580.0	Dec 31	2,070
1934-35	134.0	.0	2.4	1,770.0	Oct 17	1,680
1935-36	81.0	.0	1.8	1,280.0	Feb 22	1,370
1936-37	186.0	.0	3.9	2,800.0	Dec 27	1,180
1937-38	802.0	.0	5.8	4,180.0	Mar 02	2400E
1938-39	250.0	.0	8.7	2,370.0	Jan 05	1,725
1939-40	122.0	.0	2.4	1,270.0	Jan 07	1,000
1940-41	200.0	.0	8.1	5,890.0	Mar 03	1,940
1941-42	130.0	.0	2.1	1,530.0	Dec 10	1,200
1942-43	697.0	.0	6.2	4,520.0	Mar 04	2,780
1943-44	393.0	.0	4.4	3,190.0	Feb 22	1,930
1944-45	152.0	.0	2.1	1,540.0	Nov 11	1,780
1945-46	244.0	.0	2.5	1,840.0	Dec 22	1,630
1946-47	233.0	.0	3.2	2,300.0	Nov 13	2,650
1947-48	91.0	.0	1.5	1,080.0	Mar 24	2,090
1948-49	59.0	.0	1.5	1,080.0	Oct 30	530
1949-50	161.0	.0	2.3	1,690.0	Feb 06	1,060
1950-51	80.0	.0	1.4	1,010.0	Jan 11	2,290
1951-52	335.0	.0	7.3	5,300.0	Jan 16	3,020
1952-53	133.0	.0	2.0	1,460.0	Nov 15	2,200
1953-54	288.0	+	3.4	2,490.0	Jan 19	2,310
1954-55	126.0	+	2.6	1,870.0	Jan 18	1,290
1955-56	639.0	.0	4.0	2,880.0	Jan 26	1,970
1956-57	199.0	+	3.2	2,290.0	Feb 23	2,980
1957-58	286.0	.1	7.7	5,610.0	Feb 19	2,740
1958-59	218.0	.2	2.8	2,030.0	Jan 06	2,780
1959-60	135.0	.2	2.5	1,820.0	Jan 11	985
1960-61	117.0	.2	1.8	1,270.0	Nov 06	902
1961-62	281.0	.1	5.7	4,120.0	Jan 20	1,200
1962-63	246.0	.1	2.4	1,760.0	Feb 09	1,180
1963-64	136.0	.2	2.6	1,870.0	Jan 21	1,570
1964-65	164.0	.1	2.8	2,030.0	Apr 09	2,045
1965-66	466.0	.1	6.4	4,650.0	Nov 24	2,300
1966-67	344.0	.2	7.2	5,220.0	Dec 03	2,040

M	Data Missing
*	Record incomplete
E	Estimate
N.D.	Not determined
**	Record not Computed
+	Less than 0.05 Acre Feet or less than 0.05 CFS, but greater than 0

### RUNOFF – STREAM GAGING STATION PEAK FLOW

RUBIO WASH @ Glendon Way  
STATION NO. F82C-R

Season	Daily CFS			Total Runoff (Acre-feet)	Peak Inflow	
	Maximum	Minimum	Mean		Date	CFS
1967-68	343.0	.2	4.0	2,930.0	Mar 08	2,460
1968-69	712.0	.2	11.4	8,220.0	Jan 25	2,890
1969-70	**	**	**	**	Feb 28	2,540
1970-71	**	**	**	**	Nov 29	3,700
1971-72	**	**	**	**	Dec 24	1,240
1972-73	410.0	.0	7.0	5041*	Feb 11	3,166
1973-74	460.0	.2	5.5	3,950.0	Jan 07	1,985
1974-75	328.0	.3	4.5	3,240.0	Dec 04	3,180
1975-76	373.0	.2	4.1	2,920.0	Sep 10	2,070
1976-77	180.0	.1	4.4	3,187.0	Oct 23	2,610
1977-78	531.0	.0	12.9	9,340.0	Feb 10	3,170
1978-79	176.0	.0	8.4	6,056.0	Feb 21	2,680
1979-80	781.0	.0	11.8	8,372.0	Jan 29	4,594
1980-81	205.0	.0	4.3	3,108.0	Mar 01	1,754
1981-82	186.0	.0	4.0	2,890.0	Mar 17	1,650
1982-83	620.0	.1	12.6	9,079.0	Mar 02	4,560
1983-84	165.0	.1	2.8	1,976.0	Dec 25	1,680
1984-85	154.0	.1	3.5	2,543.0	Dec 19	1,610
1985-86	212.0	.1	6.1	4,445.0	Mar 08	2,090
1986-87	153.0	.2	3.6	2,580.0	Oct 02	2,790
1987-88	246.0	.0	4.3	3,113.0	Dec 04	3,620
1988-89	123.0	.1	2.9	2,122.0	Dec 15	783
1989-90	341.0	.3	4.5	3,249.0	Jan 16	1,560
1990-91	355.0	.0	4.9	3,513.0	Mar 01	1,840
1991-92	287.0	.0	5.7	4,115.0	Feb 12	2,540
1992-93	323.0	.0	7.9	5,726.0	Jan 14	3,660
1993-94	105.0	.0	2.3	1,640.0	Mar 24	1,970
1994-95	707.0	.0	9.4	6,777.0	Mar 11	4,610
1995-96	656.0	.0	7.5	5,464.0	Jan 31	5,010
1996-97	156.0	.0	3.9	2,790.0	Jan 15	1,180
1997-98	438.0	.0	9.1	6,590.0	Feb 06	4,030
1998-99	79.0	.0	2.2	1,560.0	Nov 28	2,430

M	Data Missing
*	Record incomplete
E	Estimate
N.D.	Not determined
**	Record not Computed
+	Less than 0.05 Acre Feet or less than 0.05 CFS, but greater than 0

### RUNOFF – STREAM GAGING STATION PEAK FLOW

SAN GABRIEL RIVER *below* San Gabriel River Parkway  
STATION NO. F263C-R

Season	Daily CFS			Total Runoff (Acre-feet)	Peak Inflow	
	Maximum	Minimum	Mean		Date	CFS
1928-29	93.0	.0	3.9	2,850.0	Mar 10	397
1929-30	152.0	.0	4.8	3,490.0	Jan 11	726
1930-31	106.0	.0	3.4	2,490.0	Feb 04	404
1931-32	1,620.0	.0	18.0	13,060.0	Feb 09	3,830
1932-33	286.0	.0	4.2	3,040.0	Jan 29	1,450
1933-34	5,580.0	.0	23.4	16,950.0	Jan 01	22,000
1934-35	746.0	.0	16.8	12,190.0	Oct 17	5,400
1935-36	355.0	.0	6.3	4,590.0	Feb 12	3,400
1936-37	2,440.0	.0	47.3	34240*	Feb 14	6,970
1937-38	11,400.0	.0	131.0	94,810.0	Mar 02	22700E
1938-39	672.0	.0	34.1	24,620.0	Sep 25	2,110
1939-40	544.0	.0	27.8	20,180.0	Feb 01	2,110
1940-41	2,700.0	.0	139.0	100,900.0	Mar 04	5,830
1941-42	149.0	.0	39.5	28,630.0	Dec 10	412
1942-43	10,500.0	.0	289.0	209,600.0	Jan 23	14,810
1943-44	5,350.0	.0	144.0	104,200.0	Feb 22	14,100
1944- 45	744.0	.0	58.7	42,520.0	Nov 12	4,210
1945-46	1,660.0	.0	47.5	34,370.0	Dec 23	4,660
1946-47	2,810.0	.0	62.7	45,420.0	Dec 30	3,240
1947-48	48.0	.0	11.8	8,590.0	Feb 06	84
1948-49	77.0	.0	8.9	6,470.0	Jan 20	144
1949-50	272.0	.0	5.7	4,130.0	Feb 06	845
1950-51	16.0	.0	.8	558.0	Jan 30	27
1951-52	2,860.0	.0	70.2	50,900.0	Jan 16	14,000
1952-53	327.0	.0	19.2	13,880.0	Dec 02	1,450
1953-54	901.0	.0	15.2	10,990.0	Feb 13	5,450
1954-55	323.0	.0	12.8	9,250.0	Jan 18	1,590
1955-56	4,030.0	.0	33.1	24,050.0	Jan 26	12,400
1956-57	558.0	.0	24.9	18,000.0	Mar 01	3,600
1957-58	2,210.0	.0	114.0	82,190.0	Apr 07	6,890
1958-59	777.0	.0	16.9	33,960.0	Jan 06	3,870
1959-60	449.0	.0	49.7	36,100.0	Jan 12	2,390
1960-61	421.0	.0	65.9	47,700.0	Jan 26	1,330
1961-62	2,840.0	.0	142.0	103,100.0	Feb 11	8,810
1962-63	1,080.0	.0	58.6	42,430.0	Mar 17	4,320
1963-64	881.0	.0	63.0	45,700.0	Jan 22	3,380
1964-65	1,410.0	.0	107.0	77,270.0	Apr 09	5,590

M	Data Missing
*	Record incomplete
E	Estimate
N.D.	Not determined
**	Record not Computed
+	Less than 0.05 Acre Feet or less than 0.05 CFS, but greater than 0

### RUNOFF – STREAM GAGING STATION PEAK FLOW

**SAN GABRIEL RIVER** *below San Gabriel River Parkway*  
**STATION NO. F263C-R**

Season	Daily CFS			Total Runoff (Acre-feet)	Peak Inflow	
	Maximum	Minimum	Mean		Date	CFS
1965-66	916.0	.0	76.4	55,320.0	Feb 06	2,670
1966-67	2,270.0	.3	86.7	62,800.0	Jan 23	5,680
1967-68	222.0	3.2	36.2	26,240.0	Nov 19	330
1968-69	10,210.0	15.0	379.0	274,300.0	Jan 26	11,740
1969-70	1,880.0	13.0	109.0	79,110.0	Mar 04	5,530
1970-71	2,170.0	2.6	75.4	54,590.0	Dec 21	4,610
1971-72	1,900.0	.0	45.1	32,740.0	Dec 24	6,970
1972-73	2,540.0	.0	92.6	67,020.0	Feb 11	5,620
1973-74	3,640.0	4.0	83.6	60,500.0	Jan 04	6,170
1974-75	2,050.0	1.0	52.7	38,180.0	Dec 04	7,525
1975-76	1,500.0	.0	44.4	32,000.0		N.D.
1976-77	739.0	.0	23.0	16,670.0	Jan 03	4,080
1977-78	6,630.0	.0	353.4	256,222.0	Mar 01	7,650
1978-79	338.0	2.3	51.0	36,943.0	Jan 15	2,052
1979-80	9,140.0	6.0	283.9	201,315.0	Feb 19	10,600
1980-81	336.0	3.8	33.0	23,902.0	Mar 01	577
1981-82	290.0	.0	32.0	23,162.0	Mar 14	523
1982-83	4,740.0	7.7	163.1	118,084.0	Mar 01	8,650
1983-84	152.0	3.8	30.6	22,254.0	Oct 01	414
1984-85	387.0	3.1	31.1	22,522.0	Dec 18	750
1985-86	598.0	.5	59.4	31,244.0	Sep 25	3,340
1986-87	1,060.0	.0	30.3	21,994.0	Jan 04	5,140
1987-88	559.0	.0	32.7	23,684.0	Apr 20	1,270
1988-89	570.0	.0	28.9	20,899.0	Dec 24	3,020
1989-90	612.0	.0	39.6	28,677.0	Feb 17	947
1990-91	787.0	.0	34.7	24,904.0	Feb 28	1,140
1991-92	1,320.0	.0	42.0	30,460.0	Feb 12	3,390
1992-93	6,460.0	.0	377.0	273,200.0	Jan 18	7,430
1993-94	387.0	.2	35.9	26,000.0	Jan 25	1,520
1994-95	2,470.0	.0	146.0	105,900.0	Mar 11	5,070
1995-96	794.0	1.6	47.8	34,720.0	Jan 31	1,620
1996-97	1,210.0	.7	73.9	53,530.0	Dec 09	2,040
1997-98	5,450.0	2.4	233.0	168,600.0	Feb 23	7,060
1998-99	350.0	.0	41.7	30,200.0	Feb 05	621

M	Data Missing
*	Record incomplete
E	Estimate
N.D.	Not determined
**	Record not Computed
+	Less than 0.05 Acre Feet or less than 0.05 CFS, but greater than 0

### RUNOFF – STREAM GAGING STATION PEAK FLOW

**SAN GABRIEL RIVER** *above Spring Street*  
**STATION NO. F42B-R**

Season	Daily CFS			Total Runoff (Acre-feet)	Peak Inflow	
	Maximum	Minimum	Mean		Date	CFS
1927-28	0.0	0.0	0.0	0.0		0
1928-29	0.0	0.0	0.0	0.0		0
1929-30	0.0	0.0	0.0	0.0		0
1930-31	0.0	0.0	0.0	0.0		0
1931-32	1,270.0	0.0	9.0	6,560.0	Feb 09	4,490
1932-33	170.0	0.0	1.1	809.0	Jan 20	2,250
1933-34	4,860.0	0.0	17.1	12,370.0	Jan 01	15,000
1934-35	463.0	0.0	3.3	2,380.0	Oct 17	3,390
1935-36	220.0	0.0	1.6	1,190.0	Feb 12	1,910
1936-37	1,850.0	0.0	18.7	13,510.0	Feb 14	4,560
1937-38	14,500.0	0.0	122.0	88,020.0	Mar 02	27000E
1938-39	265.0	0.0	1.5	1,080.0	Dec 19	956
1939-40	192E	0.0	2.0	1,460.0	Feb 03	1,400
1940-41	1,710.0	0.0	91.0	65,890.0	Mar 13	4,830
1941-42	148.0	0.0	15.0	10,830.0	Dec 11	277
1942-43	9,570.0	0.0	280.0	175,100.0	Jan 23	14,600
1943-44	5,570.0	0.0	99.4	72,200.0	Feb 22	15,000
1944-45	742.0	0.0	30.8	22,280.0	Feb 02	1,910
1945-46	1,460.0	0.0	17.4	12,590.0	Dec 23	3,300
1946-47	2,520.0	0.0	33.3	24,100.0	Jan 01	2,740
1947-48	0.0	0.0	0.0	0.0		0
1948-49	0.0	0.0	0.0	0.0		0
1949-50	0.0	0.0	0.0	0.0		0
1950-51	0.0	0.0	0.0	0.0		0
1951-52	STATION	OUT		21100E		0
1952-53	101.0	0.0	0.3	220.0	Dec 02	301
1953-54	445.0	0.0	2.9	2,060.0	Feb 13	3,520
1954-55	240.0	0.0	1.1	820.0	Jan 18	1,640
1955-56	4,300.0	0.0	12.9	9,390.0	Jan 26	12,500
1956-57	393.0	0.0	1.2	896.0	Jan 13	1,760
1957-58	1,510.0	0.0	31.6	22,890.0	Apr 07	5,220
1958-59	615.0	0.0	3.2	2,340.0	Jan 06	2,940
1959-60	355.0	0.0	2.6	1,860.0	Jan 12	2,180
1960-61	204.0	0.0	0.6	448.0	Jan 26	1,780
1961-62	2,940.0	0.0	32.0	23,070.0	Feb 11	7,350
1962-63	1,530.0	0.0	7.3	5,290.0	Mar 17	4,120
1963-64	751.0	0.0	4.4	3,160.0	Jan 22	2,570

M	Data Missing
*	Record incomplete
E	Estimate
N.D.	Not determined
**	Record not Computed
+	Less than 0.05 Acre Feet or less than 0.05 CFS, but greater than 0

### RUNOFF – STREAM GAGING STATION PEAK FLOW

**SAN GABRIEL RIVER** *above Spring Street*  
**STATION NO. F42B-R**

Season	Daily CFS			Total Runoff (Acre-feet)	Peak Inflow	
	Maximum	Minimum	Mean		Date	CFS
1964-65	1,070.0	0.0	12.1	8,770.0	Apr 09	4,540
1965-66	630.0	0.0	10.2	7,400.0	Feb 06	1,950
1966-67	1,190.0	0.0	37.1	26,850.0	Jan 23	4,760
1967-68	847.0	+	9.2	6,720.0	Nov 21	3,280
1968-69	9,350.0	+	286.0	207,300.0	Jan 25	11,700
1969-70	1,760.0	+	24.2	17,520.0	Mar 05	5,550
1970-71	2,700.0	+	27.1	19,610.0	Dec 19	5,550
1971-72	1,980.0	0.1	82.2	39,900.0	Dec 24	8,580
1972-73	2,710.0	10.6	70.6	51,100.0	Jan 16	5,680
1973-74	3,730.0	10.6	63.9	46,220.0	Jan 04	6,090
1974-75	2,190.0	6.1	48.1	34,850.0	Dec 04	7,190
1975-76	660.0	12.6	50.5	36,640.0	Sep 10	3,891
1976-77	816.0	20.0	54.7	39,600.0	Jan 03	4,460
1977-78	*	*	*	*		*
1978-79	1,220.0	N.D.	N.D.	N.D.	Jan 31	4,780
1979-80	8,310.0	19.3	252.7	179,251.0	Feb 14	11,000
1980-81	*	*	*	*		*
1981-82	433.0	31.4	74.5	53,942.0	Mar 14	1,260
1982-83	5,900.0	43.4	221.0	159,961.0	Mar 01	13,400
1983-84	483.0	32.9	109.0	78,947.0	Nov 01	4,470
1984-85	488.0	44.2	3.8	84,238.0	Feb 09	1,480
1985-86	*	*	*		Feb 15	3,930
1986-87	1,110.0	32.9	113.3	82,029.0	Jan 04	4,990
1987-88	727.0	26.0	108.4	78,667.0	Dec 04	2,220
1988-89	406.0	33.3	91.0	65,899.0	Dec 25	2,080
1989-90	880.0	4.3	81.0	58,661.0	Feb 17	1,610
1990-91	813.0	25.7	78.2	56,581.0	Mar 01	1,610
1991-92	2,000.0	28.4	107.0	77,647.0	Feb 12	6,330
1992-93	6,480.0	19.8	389.0	269,000.0	Feb 19	10,100
1993-94	*	*	*	*		*
1994-95	3,230.0	33.3	173.0	125,400.0	Mar 11	10,200
1995-96	1,120.0	25.8	112.0	81,050.0	Feb 20	4,330
1996-97	738.0	51.0	143.0	97,910.0	Dec 11	2,410
1997-98	5,550.0	57.0	276.0	199,900.0	Feb 07	12,500
1998-99	290.0	52.0	136.0	98,720.0	Apr 11	1,120

M	Data Missing
*	Record incomplete
E	Estimate
N.D.	Not determined
**	Record not Computed
+	Less than 0.05 Acre Feet or less than 0.05 CFS, but greater than 0

### RUNOFF – STREAM GAGING STATION PEAK FLOW

**SAN GABRIEL RIVER @ Foothill Blvd.  
STATION NO. F190-R**

Season	Daily CFS			Total Runoff (Acre-feet)	Peak Inflow	
	Maximum	Minimum	Mean		Date	CFS
1931-32	N.D.	.0	N.D.	76220*		N.D.
1932-33	2,530.0	.0	15.7	11,400.0	Jan 19	10,000
1933-34	3,150.0	.0	20.3	14,690.0	Jan 01	5,550
1934-35	448.0	.0	81.7	59,220.0	Apr 08	1,080
1935-36	169.0	.0	21.1	15,300.0	Feb 02	572
1936-37	1,610.0	.0	162.0	117,400.0	Feb 19	2,050
1937-38	22,200.0	.0	387.2	280300*	Mar 02	62000E
1938-39	220.0	.0	15.0	10,850.0	Jan 05	267
1939-40	388.0	.0	13.7	9,980.0	Jun 25	400
1940-41	4,090.0	.0	304.0	220,100.0	Mar 04	5,280
1941-42	312.0	.0	5.5	3,990.0	Apr 20	345
1942-43	10400E	.0	318.0	230,200.0	Feb 23	11,400
1943-44	2,750.0	.0	163.0	118,300.0	Feb 22	4,840
1944-45	844.0	.0	22.9	16,620.0	Feb 02	1,080
1945-46	1,190.0	.0	58.1	42,060.0	Dec 23	1,670
1946-47	3,000.0	.0	65.6	47,520.0	Dec 28	3,200
1947-48	1,010.0	.0	14.3	10,370.0	Jun 02	1,120
1948-49	.0	.0	.0	.0		0
1949-50	20.0	.0	.1	67.0	Dec 18	192
1950-51	.0	.0	.0	.0		0
1951-52	3,860.0	.0	98.1	71,210.0	Jan 18	4,670
1952-53	1,030.0	.0	56.9	41,180.0	Oct 28	1,080
1953-54	848.0	.0	30.3	21,920.0	Apr 16	2,160
1954-55	3.8	.0	+	38.0	Jan 18	12
1955-56	215.0	.0	2.0	1,430.0	Jan 26	800
1956-57	573.0	.0	7.4	5,320.0	Apr 17	585
1957-58	2,270.0	.0	229.0	165,600.0	Apr 05	2,520
1958-59	380.0	.0	18.8	13,590.0	Jan 06	3,390
1959-60	13.0	.0	.7	499.0	Apr 27	90
1960-61	26.0	.0	.2	147.0	Jan 26	48
1961-62	1,750.0	.0	103.0	74,270.0	Feb 12	2,260
1962-63	47.0	.0	.3	237.0	Feb 09	301
1963-64	13.0	.0	.1	66.0	Jan 22	56
1964-65	293.0	.0	11.0	7,940.0	Sep 06	881
1965-66	8,680.0	.0	240.0	173,700.0	Nov 23	9,420
1966-67	2,080.0	.0	249.0	180,000.0	Dec 06	9,830
1967-68	232.0	.0	33.0	23,940.0	Nov 25	326

M	Data Missing
*	Record incomplete
E	Estimate
N.D.	Not determined
**	Record not Computed
+	Less than 0.05 Acre Feet or less than 0.05 CFS, but greater than 0

### RUNOFF – STREAM GAGING STATION PEAK FLOW

**SAN GABRIEL RIVER @ Foothill Blvd.  
STATION NO. F190-R**

Season	Daily CFS			Total Runoff (Acre-feet)	Peak Inflow	
	Maximum	Minimum	Mean		Date	CFS
1968-69	22,700.0	.0	794.0	575,300.0	Jan 26	
1969-70	378.0	.0	32.9	23,810.0	Dec 21	411
1970-71	1,300.0	.0	44.0	31,850.0	Mar 01	1,400
1971-72	254.0	.0	13.3	9,660.0	Dec 08	254
1972-73	803.0	.0	129.0	93,260.0	Feb 11	1,010
1973-74	374.0	.0	56.2	40,640.0	Jan 07	670
1974-75	256.0	.0	37.3	27,040.0		256
1975-76	179.0	.0	27.3	19,839.0	Mar 01	226
1976-77	226.0	.0	24.6	17,770.0	Oct 14	248
1977-78	*	*	664.2	480,390.0	Mar 04	24,300
1978-79	525.0	.0	153.0	110,800.0	Mar 27	720
1979-80	8,751.0	.0	440.0	313,199.0		N.D.
1980-81	362.0	.0	23.8	17,247.0	Jan 29	477
1981-82	573.0	.1	79.8	57,237.0	Mar 14	720
1982-83	12,810.0	.0	16.1	356,249.0	Mar 02	12,810
1983-84	432.0	1.8	50.9	36,846.0		N.D.
1984-85	396.0	.0	16.7	12,084.0		N.D.
1985-86	805.0	.0	117.0	84,632.0	Mar 03	805
1986-87	112.0	.0	31.2	22,594.0	Mar 06	130
1987-88	544.0	.0	62.3	444,868.0	Jun 08	805
1988-89	464.0	.0	49.6	35,849.0	Feb 04	1,130
1989-90	145.0	.0	26.7	19,337.0	Apr 17	155
1990-91	567.0	.0	74.1	52,908.0	Jul 27	578
1991-92	1,580.0	.0	200.0	144,865.0	Feb 15	4,000
1992-93	8,600.0	.0	598.0	432,600.0	Feb 16	11,300
1993-94	393.0	.0	53.4	38,660.0	Feb 17	1,750
1994-95	2,180.0	.0	278.0	201,100.0	Mar 06	5,020
1995-96	531.0	.0	91.7	66,560.0	Oct 06	1,130
1996-97	563.0	.0	62.3	45,100.0	Dec 22	522
1997-98	7,660.0	.0	319.0	230,900.0	Feb 24	11,900
1998-99	216.0	.0	24.9	18.0	Jul 15	326

M	Data Missing
*	Record incomplete
E	Estimate
N.D.	Not determined
**	Record not Computed
+	Less than 0.05 Acre Feet or less than 0.05 CFS, but greater than 0



### RUNOFF – STREAM GAGING STATION PEAK FLOW

SAN GABRIEL RIVER *above* Florence Avenue  
STATION NO. F262C-R

Season	Daily CFS			Total Runoff (Acre-feet)	Peak Inflow	
	Maximum	Minimum	Mean		Date	CFS
1934-35	718.0	0.0	6.5	4,700.0	Oct 17	5,850
1935-36	414.0	0.0	2.4	1,750.0	Feb 12	3,400
1936-37	NO RECORD					
1937-38	NO RECORD					
1938-39	325.0	0.0		2540*	Sep 25	1,380
1939-40	271.0	0.0	2.6	1,900.0	Jan 08	1,150
1940-41	2,390.0	0.0	105.0	75,780.0	Mar 04	5,630
1941-42	117.0	0.0	18.7	13,570.0	Dec 10	413
1942-43	9,190.0	0.0	257.0	186,400.0	Jan 23	14,000
1943-44	4,860.0	0.0	110.0	79,930.0	Feb 22	16,000
1944-45	806.0	0.0	36.1	26,110.0	Nov 12	4,020
1945-46	1,500.0	0.0	22.8	16,480.0	Dec 23	4,370
1946-47	2,880.0	0.0	38.2	27,650.0	Dec 31	3,640
1947-48	0.0	0.0	0.0	0.0		0
1948-49	0.0	0.0	0.0	0.0		0
1949-50	0.0	0.0	0.0	0.0		0
1950-51	0.0	0.0	0.0	0.0		0
1951-52	3,070.0	0.0	33.4	24,250.0	Jan 16	8,040
1952-53	181.0	0.0	1.4	983.0	Dec 02	1,270
1953-54	688.0	0.0	5.2	3,790.0	Feb 13	4,060
1954-55	317.0	0.0	1.4	1,000.0	Jan 18	1,850
1955-56	4,580.0	0.0	14.3	10,360.0	Jan 26	12800E
1956-57	490.0	0.0	1.9	1,390.0	Jan 13	2,040
1957-58	1,720.0	0.0	31.9	23,960.0	Apr 07	6,300
1958-59	826.0	0.0	4.3	3,130.0	Jan 06	4,060
1959-60	377.0	0.0	2.7	1,990.0	Jan 12	2,210
1960-61	316.0	0.0	0.9	678.0	Jan 26	2,940
1961-62	2,170.0	0.0	23.7	17,340.0	Feb 11	6,470
1962-63	1,190.0	0.0	7.1	5,160.0	Mar 16	4,270
1963-64	707.0	0.0	4.8	3,460.0	Nov 20	4,330
1964-65	1,210.0	0.0	12.4	9,010.0	Apr 09	4,900
1965-66	697.0	0.0	7.8	5,620.0	Jan 30	2,080
1966-67	1,900.0	0.0	32.2	23,300.0	Jan 23	4,320
1967-68	NO RECORD					
1968-69	8,430.0	0.0	273.0	197,600.0	Jan 25	10,900
1969-70	1,650.0	0.0	16.5	11,950.0	Mar 04	4,510
1970-71	2,160.0	0.0	15.5	11,220.0	Nov 29	4,410

M	Data Missing
*	Record incomplete
E	Estimate
N.D.	Not determined
**	Record not Computed
+	Less than 0.05 Acre Feet or less than 0.05 CFS, but greater than 0

### RUNOFF – STREAM GAGING STATION PEAK FLOW

SAN GABRIEL RIVER *above* Florence Avenue  
STATION NO. F262C-R

Season	Daily CFS			Total Runoff (Acre-feet)	Peak Inflow	
	Maximum	Minimum	Mean		Date	CFS
1971-72	1,450.0	0.0	10.2	7,400.0	Dec 24	7,510
1972-73	2,540.0	0.0	28.6	20,700.0	Feb 11	5,680
1973-74	3,650.0	0.0	26.8	19,420.0	Jan 07	5,870
1974-75	1,390.0	0.0	8.4	6,110.0	Dec 04	6,010
1975-76	690.0	0.0	5.9	4,160.0	Sep 10	2,800
1976-77	486.0	0.0	4.4	3,171.0	Jan 03	3,320
1977-78	5,440.0	0.0	224.0	162,158.0	Feb 12	8,220
1978-79	*	*	*	*		*
1979-80	9,290.0	0.0	222.3	156,500.0	Feb 17	10,900
1980-81	219.0	0.0	1.1	773.0	Mar 02	414
1981-82	186.0	0.0	1.0	723.0	Mar 17	755
1982-83	4,920.0	0.0	95.2	68,938.0	Mar 01	10,400
1983-84	131.0	0.0	1.8	1,341.0	Nov 25	179
1984-85	215.0	0.0	2.4	1,771.0	Dec 19	283
1985-86	528.0	0.0	6.4	4,597.0	Sep 25	4,510
1986-87	585.0	0.0	2.7	1,936.0	Jan 04	3,350
1987-88	75.9	0.0	0.6	466.0	Apr 21	327
1988-89	148.0	0.0	1.1	825.0	Dec 25	1,174
1989-90	32.0	0.0	0.1	65.0	Feb 17	353
1990-91	169.0	0.0	1.0	694.0	Mar 27	605
1991-92	673.0	0.0	5.3	3,840.0	Feb 12	2,340
1992-93	6,990.0	0.0	276.0	199,500.0	Jan 18	7,600
1993-94	0.0	0.0	0.0	0.0		
1994-95	1,520.0	0.0	35.6	25,760.0	Jan 10	5,120
1995-96	871.0	0.0	3.8	2,727.0	Feb 21	2,360
1996-97	291.0	0.0	5.1	3,710.0	Dec 11	1,240
1997-98	5,750.0	0.0	168.0	121,400.0	Mar 26	8,070
1998-99	19.0	0.0	0.2	116.0	Nov 08	78

M	Data Missing
*	Record incomplete
E	Estimate
N.D.	Not determined
**	Record not Computed
+	Less than 0.05 Acre Feet or less than 0.05 CFS, but greater than 0

### RUNOFF – STREAM GAGING STATION PEAK FLOW

**SAN GABRIEL RIVER *below* Morris Dam  
STATION NO. U8-R**

Season	Daily CFS			Total Runoff (Acre-feet)	Peak Inflow	
	Maximum	Minimum	Mean		Date	CFS
1895-96	134.0	.0	N.D.	N.D.		N.D.
1896-97	1,760.0	.0	95.6	69,200.0		N.D.
1897-98	1,600.0	.0	9.6	6,920.0		N.D.
1898-99	16.0	.0	.1	74.0		N.D.
1899-00	49.0	.0	.4	272.0		N.D.
1900-01	5,170.0	.0	94.1	68,100.0	Feb 05	N.D.
1901-02	318.0	.0	4.3	3,100.0		6,250
1902-03	2,940.0	.0	104.0	74,900.0		N.D.
1903-04	1,070.0	.0	9.3	6,720.0		N.D.
1904-05	2,940.0	.0	172.0	124,000.0		N.D.
1905-06	7,950.0	.0	262.0	190,000.0		N.D.
1906-07	6,730.0	.0	406.0	293,000.0		N.D.
1907-08	1,160.0	.0	46.4	33,700.0		N.D.
1908-09	7,030.0	.0	197.0	143,000.0		N.D.
1909-10	12,400.0	.0	137.0	99,100.0	Jan 01	13,900
1910-11	9,100.0	.0	321.0	231,000.0	Mar 10	13,500
1911-12	2,950.0	.0	55.5	40,300.0		N.D.
1912-13	1,880.0	.0	25.6	18,600.0		N.D.
1913-14	11,800.0	.0	359.0	260,000.0	Feb 20	18,100
1914-15	1,110.0	.0	108.0	77,900.0	Jan 29	2,770
1915-16	22,300.0	.0	315.0	228,000.0	Jan 18	40,000
1916-17	3,900.0	.0	49.3	35,700.0		N.D.
1917-18	4,940.0	.0	123.0	88,600.0	Mar 17	8,680
1918-19	76.0	.0	3.2	2,290.0	Feb 11	230
1919-20	2,400.0	.0	94.6	68,700.0	Mar 02	5,000
1920-21	2,050.0	.0	40.1	29,000.0	Mar 14	4,000
1921-22	16,000.0	.0	505.0	365,000.0	Dec 19	22,300
1922-23	2,250.0	.0	44.0	31,800.0	Dec 13	3,670
1923-24	253.0	.0	3.5	2,540.0	Mar 26	510
1924-25	588.0	.0	4.2	3,030.0	Mar 04	3,000
1925-26	5,530.0	.0	113.0	81,700.0	Apr 07	14,900
1926-27	11,400.0	.0	123.0	88,900.0	Feb 16	18,200
1927-28	672.0	.0	4.1	2,940.0	Feb 04	1,810
1928-29	411.0	.0	10.0	7,210.0	Mar 10	895
1929-30	396.0	.0	21.5	15,600.0	Mar 15	586
1930-31	601.0	.0	9.5	6,900.0	Apr 26	1,450
1931-32	5,830.0	.0	120.0	87,200.0	Feb 09	7,500

M	Data Missing
*	Record incomplete
E	Estimate
N.D.	Not determined
**	Record not Computed
+	Less than 0.05 Acre Feet or less than 0.05 CFS, but greater than 0

### RUNOFF – STREAM GAGING STATION PEAK FLOW

**SAN GABRIEL RIVER *below* Morris Dam  
STATION NO. U8-R**

Season	Daily CFS			Total Runoff (Acre-feet)	Peak Inflow	
	Maximum	Minimum	Mean		Date	CFS
1932-33	1,630.0	.0	21.9	15,900.0	Jan 19	5,820
1933-34	2,380.0	.0	30.4	22,080.0	Jan 01	6,120
1934-35	460.0	.0	102.0	74,080.0	Feb 09	507
1935-36	224.0	.0	31.6	22,980.0	Apr 10	455
1936-37	1,770.0	.0	195.0	141,100.0	Feb 20	1,950
1937-38	21,660.0	.1	415.0	300,200.0	Mar 02	65,700
1938-39	316.0	6.5	53.5	38,680.0		N.D.
1939-40	506.0	.0	50.5	36,640.0	Jun 24	506
1940-41	3,870.0	.0	317.0	229,300.0	Mar 04	4,460
1941-42	370.0	2.5	13.1	9,480.0	Apr 20	422
1942-43	10,370.0	2.0	334.0	242,000.0	Jan 23	12,100
1943-44	2,710.0	3.6	184.0	133,700.0	Feb 22	5,170
1944-45	980.0	6.1	62.8	45,490.0	Feb 06	988
1945-46	937.0	.3	75.9	54,930.0	Dec 23	980
1946-47	2,930.0	.0	74.9	54,220.0	Dec 31	2,980
1947-48	1,170.0	.0	18.1	13,170.0	Jun 02	1,320
1948-49	61.0	.0	5.7	4,140.0	Oct 27	79
1949-50	7.9	.0	.7	51.0	Jul 31	8
1950-51	47.0	.0	8.6	6,220.0	Apr 27	168
1951-52	3,530.0	.0	91.1	66,120.0		N.D.
1952-53	1,190.0	.0	69.4	50,240.0		N.D.
1953-54	960.0	.0	34.6	25,030.0	Apr 16	9,420
1954-55	9.9	.0	.1	86.0	Sep 26	10
1955-56	43.0	.0	.2	176.0	Sep 30	45
1956-57	650.0	.0	12.4	9,010.0	Apr 14	656
1957-58	2,470.0	.0	241.0	174,100.0	Apr 05	2,780
1958-59	348.0	.0	11.3	8,200.0	Feb 24	364
1959-60	.0	.0	.0	.0		0
1960-61	7.5	.0	1.7	1,250.0	May 06	9
1961-62	1,520.0	.0	102.0	73,590.0	Feb 12	1,650
1962-63	27.0	.0	1.0	712.0	Sep 04	45
1963-64	22.0	.0	.2	160.0	Aug 26	50
1964-65	276.0	.0	10.7	981.0	Jun 12	291
1965-66	7,260.0	.0	225.0	162,900.0	Nov 23	8,640
1966-67	3,750.0	.0	232.0	167,900.0	Dec 06	5,680
1967-68	236.0	.0	31.7	23,030.0	Nov 25	326
1968-69	19,300.0	.0	750.0	543,000.0	Feb 25	29,850

M	Data Missing
*	Record incomplete
E	Estimate
N.D.	Not determined
**	Record not Computed
+	Less than 0.05 Acre Feet or less than 0.05 CFS, but greater than 0

### RUNOFF – STREAM GAGING STATION PEAK FLOW

**SAN GABRIEL RIVER *below* Morris Dam  
STATION NO. U8-R**

Season	Daily CFS			Total Runoff (Acre-feet)	Peak Inflow	
	Maximum	Minimum	Mean		Date	CFS
1969-70	1,060.0	.0	52.4	37,970.0	Feb 28	1,102
1970-71	434.0	.0	31.4	22,760.0	Jan 04	439
1971-72	299.0	.0	15.3	11,090.0	Dec 08	299
1972-73	849.0	.0	131.0	94,790.0	Mar 19	918
1973-74	310.0	.0	60.8	44,010.0	Nov 07	364
1974-75	248.0	.0	29.7	21,500.0		248
1975-76	191.0	.0	28.8	20,870.0	Mar 25	178
1976-77	267.0	.0	21.8	15,760.0	Oct 13	273
1977-78	10,800.0	.0	630.1	456,170.0	Mar 04	14,100
1978-79	504.0	.0	149.2	108,000.0	Apr 22	519
1979-80	8,310.0	.0	473.3	337,410.0	Feb 19	8,720
1980-81	415.0	.0	37.8	27,335.0	Dec 11	514
1981-82	586.0	.0	90.2	65,284.0	Mar 24	5,490
1982-83	11,600.0	.0	15.9	352,733.0	Mar 02	11,900
1983-84	485.0	.0	2.2	48,419.0	Oct 13	552
1984-85	464.0	.0	48.5	35,100.0	Jan 01	469
1985-86	831.0	.0	131.0	94,778.0	Feb 25	856
1986-87	186.0	.0	60.8	43,995.0	Feb 23	212
1987-88	253.0	.0	94.1	67,673.0	Jun 08	793
1988-89	434.0	.4	68.0	49,058.0	Jan 05	434
1989-90	166.0	.1	64.0	46,101.0	Apr 28	162
1990-91	785.0	.0	113.0	80,999.0	Jul 28	793
1991-92	1,740.0	.8	206.0	149,508.0	Feb 15	3,460
1992-93	9,500.0	.0	655.0	474,300.0	Jan 14	9,500
1993-94	480.0	.0	57.8	41,860.0	Aug 02	1,490
1994-95	*	*	*	*		*
1995-96	552.0	.4	124.0	89,820.0	Sep 25	1,220
1996-97	696.0	.3	90.3	65,340.0	Feb 02	1,620
1997-98	7,200.0	.0	365.0	264,000.0	Feb 24	10,300
1998-99	250.0	.0	33.1	23,970.0	Mar 01	3,140

M	Data Missing
*	Record incomplete
E	Estimate
N.D.	Not determined
**	Record not Computed
+	Less than 0.05 Acre Feet or less than 0.05 CFS, but greater than 0

### RUNOFF – STREAM GAGING STATION PEAK FLOW

SAN JOSE CHANNEL *below* Seventh Avenue  
STATION NO. F312B-R

Season	Daily CFS			Total Runoff (Acre-feet)	Peak Inflow	
	Maximum	Minimum	Mean		Date	CFS
1955-56	1,830.0	.0	5.6	4,070.0	Jan 26	5,180
1956-57	190.0	.0	1.1	795.0	Mar 01	1,410
1957-58	1,210.0	.0	19.4	14,060.0	Apr 07	3,990
1958-59	487.0	.0	4.4	3,210.0	Jan 06	2,720
1959-60	253.0	.0	4.7	3,430.0	Apr 27	1,380
1960-61	103.0	.0	.6	403.0	Jan 26	429
1961-62	1,220.0	.0	13.2	9,540.0	Feb 11	3,800
1962-63	581.0	.0	7.6	5,530.0	Mar 16	1,940
1963-64	483.0	+	6.8	4,900.0	Jan 22	1,250
1964-65	1,080.0	.0	14.0	10,110.0	Apr 09	4,540
1965-66	1,640.0	+	21.1	15,290.0	Dec 29	5,220
1966-67	2,290.0	2.8	36.3	26,260.0	Jan 24	10,200
1967-68	2,180.0	6.4	24.6	17,870.0	Mar 08	10,100
1968-69	4,370.0	9.3	73.2	52,980.0	Feb 25	9,710
1969-70	898.0	8.0	28.7	20,490.0	Mar 04	3,930
1970-71	1,180.0	5.0	22.4	16,190.0	Dec 21	4,400
1971-72	988.0	3.9	17.4	12,650.0	Dec 24	3,720
1972-73	1,820.0	7.0	38.4	27,830.0	Feb 13	6,440
1973-74	1,970.0	8.0	33.3	24,060.0	Jan 04	4,900
1974-75	1,260.0	5.2	64.4	46,650.0	Dec 04	9,620
1975-76	1,200.0	5.0	25.6	18,310.0	Sep 10	5,000
1976-77	816.0	3.0	23.2	16,820.0	Aug 17	3,580
1977-78	2,740.0	5.0	74.0	53,613.0	Mar 04	11,100
1978-79	2,420.0	5.6	43.9	31,812.0	Jan 31	7,330
1979-80	3,150.0	6.3	81.4	57,830.0	Feb 18	13,000
1980-81	1,240.0	12.6	96.2	69,674.0	Mar 01	4,810
1981-82	1,140.0	8.6	34.1	24,673.0	Mar 14	5,790
1982-83	2,720.0	11.8	65.8	47,646.0	Feb 27	19,200
1983-84	1,050.0	8.6	28.3	20,538.0	Oct 01	5,060
1984-85	927.0	8.6	38.6	27,929.0	Dec 18	5,330
1985-86	1,850.0	10.2	51.8	37,499.0	Feb 15	7,250
1986-87	1,900.0	7.8	38.4	27,787.0	Jan 04	6,980
1987-88	1,700.0	6.3	35.3	25,633.0	Jan 17	7,850
1988-89	1,100.0	7.4	59.2	42,258.0	Dec 21	4,800
1989-90	3,060.0	7.8	80.6	58,322.0	Feb 17	7,700
1990-91	1,960.0	7.1	68.0	48,938.0	Mar 01	7,270
1991-92	2,370.0	7.3	83.0	60,221.0	Feb 11	16,800

M	Data Missing
*	Record incomplete
E	Estimate
N.D.	Not determined
**	Record not Computed
+	Less than 0.05 Acre Feet or less than 0.05 CFS, but greater than 0

## RUNOFF – STREAM GAGING STATION PEAK FLOW

SAN JOSE CHANNEL *below* Seventh Avenue  
STATION NO. F312B-R

Season	Daily CFS			Total Runoff (Acre-feet)	Peak Inflow	
	Maximum	Minimum	Mean		Date	CFS
1992-93	4,370.0	7.0	*	*	Jan 07	20,200
1993-94	*	*	*	*		*
1994-95	2,480.0	22.7	105.0	75,660.0	Jan 10	11,400
1995-96	1,630.0	.0	44.4	32,260.0	Feb 20	10,100
1996-97	868.0	1.8	40.4	29,240.0	Jan 25	4,440
1997-98	1,760.0	11.0	70.7	51,170.0	Feb 07	14,500
1998-99	314.0	2.3	26.1	18,870.0	Nov 28	2,150

M	Data Missing
*	Record incomplete
E	Estimate
N.D.	Not determined
**	Record not Computed
+	Less than 0.05 Acre Feet or less than 0.05 CFS, but greater than 0

### RUNOFF – STREAM GAGING STATION PEAK FLOW

SANTA ANITA WASH @ Longden Avenue  
STATION NO. F193B-R

Season	Daily CFS			Total Runoff (Acre-feet)	Peak Inflow	
	Maximum	Minimum	Mean		Date	CFS
1959-60	55.0	+	.6	465.0	Apr 27	534
1960-61	33.0	.0	.3	216.0	Nov 12	314
1961-62	693.0	.0	8.2	5,910.0	Feb 11	1,780
1962-63	101.0	.0	1.0	709.0	Feb 09	621
1963-64	47.0	.0	.9	650.0	Nov 20	581
1964-65	63.0	.0	1.4	985.0	Apr 09	518
1965-66	541.0	+	12.0	8,730.0	Dec 29	1,380
1966-67	613.0	+	16.0	11,570.0	Dec 06	1,180
1967-68	111.0	+	1.7	1,230.0	Nov 19	816
1968-69	2,760.0	+	46.9	33,930.0	Jan 25	6,850
1969-70	150.0	+	3.2	2,300.0	Mar 02	1,290
1970-71	350.0	+	3.4	2,440.0	Dec 21	590
1971-72	71.0	.0	.4	320.0	Dec 24	324
1972-73	595.0	.0	5.9	4,270.0	Feb 27	1,630
1973-74	158.0	+	2.9	2,090.0	Jan 07	518
1974-75	95.0	.0	1.2	875.0	Dec 04	943
1975-76	82.0	.0	1.5	1,060.0	Sep 11	766
1976-77	46.0	.0	1.0	752.0	Oct 23	694
1977-78	877.0	.0	35.5	25,720.0	Feb 10	2,350
1978-79	1,160.0	.1	12.4	8,978.0	Feb 21	1,730
1979-80	1,690.0	.1	72.1	51,148.0	Jan 29	2,090
1980-81	121.0	.0	1.3	963.0	Jan 29	1,100
1981-82	176.0	.0	3.4	2,485.0	Mar 17	1,060
1982-83	958.0	.0	79.5	57,533.0	Mar 02	2,240
1983-84	143.0	.1	8.9	6,453.0	Nov 01	656
1984-85	92.7	.0	3.0	2,142.0	Dec 19	517
1985-86	104.0	.2	6.9	4,987.0	Feb 14	379
1986-87	27.3	.0	.6	454.0	Oct 02	857
1987-88	82.0	.0	1.6	1,156.0	Jan 17	858
1988-89	42.2	.0	1.0	717.0	Dec 16	180
1989-90	76.6	.0	.8	617.0	Jan 13	463
1990-91	104.0	.0	2.2	1,602.0	Mar 01	490
1991-92	498.0	.0	19.2	13,964.0	Feb 12	1,320
1992-93	552.0	.0	35.7	25,860.0	Jan 18	1,370
1993-94	354.0	.0	2.2	1,623.0	Apr 27	404
1994-95	375.0	.0	19.2	13,920.0	Jan 10	1,070
1995-96	299.0	.0	4.5	3,257.0	Jan 31	1,550

M	Data Missing
*	Record incomplete
E	Estimate
N.D.	Not determined
**	Record not Computed
+	Less than 0.05 Acre Feet or less than 0.05 CFS, but greater than 0



<b>RUNOFF – STREAM GAGING STATION PEAK FLOW</b>
---

SANTA ANITA WASH @ Longden Avenue  
STATION NO. F193B-R

Season	Daily CFS			Total Runoff (Acre-feet)	Peak Inflow	
	Maximum	Minimum	Mean		Date	CFS
1996-97	89.0	.0	5.7	4,110.0	Jan 26	443
1997-98	910.0	+	22.1	16,010.0	Feb 06	883
1998-99	34.0	.0	1.0	717.0	Jan 26	230

M	Data Missing
*	Record incomplete
E	Estimate
N.D.	Not determined
**	Record not Computed
+	Less than 0.05 Acre Feet or less than 0.05 CFS, but greater than 0

### RUNOFF – STREAM GAGING STATION PEAK FLOW

**SANTA CLARA RIVER @ Old Road Bridge  
STATION NO. F92C-R**

Season	Daily CFS			Total Runoff (Acre-feet)	Peak Inflow	
	Maximum	Minimum	Mean		Date	CFS
1929-30	N.D.	N.D.	N.D.	N.D.	Mar 15	193
1930-31	291.0	.1	2.6	1,890.0	Feb 07	2,310
1931-32	739.0	.1	5.9	4,280.0	Feb 09	2,090
1932-33	90.0	.0	.7	488.0	Jan 19	618
1933-34	448.0	+	2.2	1,600.0	Jan 01	3,870
1934-35	82.0	+	1.5	1,090.0	Jan 05	608
1935-36	113.0	.0	2.2	1,590.0	Feb 23	833
1936-37	471.0	.0	6.7	4,850.0	Dec 27	3,410
1937-38	6,370.0	+	37.2	26,900.0	Mar 02	24000E
1938-39	435.0	+	14.4	10,410.0	Dec 15	4,620
1939-40	79.0	.3	2.2	1,570.0	Feb 01	676
1940-41	3,450.0	.3	57.1	41,320.0	Mar 04	5,050
1941-42	167.0	.6	32.3	23,400.0	Dec 28	443
1942-43	5,420.0	1.4	65.2	47,170.0	Jan 23	15,000
1943-44	9,360.0	2.0	68.6	49,770.0	Feb 22	22,200
1944-45	110.0	2.2	15.3	11,050.0	Feb 02	317
1945-46	194.0	.4	8.9	6,440.0	Mar 30	500
1946-47	371.0	1.0	15.4	11,150.0	Dec 26	1,620
1947-48	33E	.8	3.1	2,270.0	Mar 24	350E
1948-49	4.9	.4	1.8	1,300.0	Mar 11	10
1949-50	5.2	.1	1.2	888.0	Feb 06	9
1950-51	2.0	+	.3	217.0	Jan 29	6
1951-52	1,620.0	+	23.1	16,760.0	Jan 16	7,600
1952-53	43.0	.1	.8	592.0	Dec 01	N.D.
1953-54	104.0	+	1.6	1,160.0	Jan 19	626
1954-55	96.0	+	.8	612.0	Jan 18	746
1955-56	184.0	+	1.4	1,000.0	Jan 26	344
1956-57	195.0	.0	1.4	1,020.0	Feb 28	1,920
1957-58	1,440.0	.0	14.7	10,620.0	Apr 03	3,850
1958-59	215.0	.0	1.3	940.0	Jan 06	1,410
1959-60	12.0	.0	.4	288.0	Apr 27	151
1960-61	58.0	.0	.7	533.0	Nov 05	830
1961-62	1,690.0	.0	14.5	10,470.0	Feb 12	4,250
1962-63	105.0	.0	1.3	965.0	Mar 16	1,470
1963-64	85.0	.0	1.1	780.0	Jan 22	860
1964-65	240.0	.0	2.1	1,550.0	Apr 08	1,260
1965-66	3,200.0	.0	22.0	15,990.0	Dec 29	11,600

M	Data Missing
*	Record incomplete
E	Estimate
N.D.	Not determined
**	Record not Computed
+	Less than 0.05 Acre Feet or less than 0.05 CFS, but greater than 0

### RUNOFF – STREAM GAGING STATION PEAK FLOW

**SANTA CLARA RIVER @ Old Road Bridge  
STATION NO. F92C-R**

Season	Daily CFS			Total Runoff (Acre-feet)	Peak Inflow	
	Maximum	Minimum	Mean		Date	CFS
1966-67	820.0	+	9.8	7,100.0	Jan 24	3,000
1967-68	475.0	.0	4.3	3,070.0	Jan 24	3,000
1968-69	N.D.	.2	**	30170E	Feb 25	31800E
1969-70	164.0	1.0	13.3	9,610.0	Mar 01	900
1970-71	1,830.0	.5	15.1	10,930.0	Nov 29	8,150
1971-72	442.0	.5	9.2	6,640.0	Dec 27	2,200
1972-73	1,470.0	.4	13.0	9,450.0	Feb 11	4,760
1973-74	984.0	1.0	9.1	6,600.0	Jan 07	2,440
1974-75	187.0	.9	5.4	3,910.0	Dec 04	1,123
1975-76	138.0	+	3.7	2,710.0	Sep 10	999
1976-77	273.0	+	3.8	2,750.0	May 08	2,510
1977-78	8,610.0	.0	95.3	68,966.0	Feb 10	18,900
1978-79	605.0	1.0	16.0	11,617.0	Mar 28	3,370
1979-80	*	*	*	*		*
1980-81	HO RECORD					
1981-82	NO RECORD					
1982-83	5,214.0	.8	113.8	83,154.0	Mar 01	14,925
1983-84	*	*	*	*		*
1984-85	295.0	1.0	18.8	13,558.0	Dec 19	1,820
1985-86	492.0	7.5	24.7	17,896.0	Feb 14	1,050
1986-87	71.3	5.2	14.3	10,197.0	Nov 18	444
1987-88	485.0	.0	16.5	11,981.0	Dec 04	1,450
1988-89	145.0	3.7	11.9	8,535.0	Dec 16	876
1989-90	18.0	4.9	12.2	8,864.0	Feb 17	523
1990-91	604.0	2.4	13.9	10,058.0	Mar 01	2,750
1991-92	*	*	*	*		*
1992-93	*	*	*	*		*
1993-94	*	*	*	*		*
1994-95	*	*	*	*		*
1995-96	*	*	*	*		*
1996-97	181.0	1.9	8.6	6,190.0	Dec 22	2,000
1997-98	7,080.0	1.3	89.2	53,800.0	Feb 23	19,000
1998-99	136.0	4.3	15.7	11,330.0	Jan 31	1,610

M	Data Missing
*	Record incomplete
E	Estimate
N.D.	Not determined
**	Record not Computed
+	Less than 0.05 Acre Feet or less than 0.05 CFS, but greater than 0

### RUNOFF – STREAM GAGING STATION PEAK FLOW

SANTA FE DIVERSION CHANNEL *below* Santa Fe Dam  
STATION NO. F280-R

Season	Daily CFS			Total Runoff (Acre-feet)	Peak Inflow	
	Maximum	Minimum	Mean		Date	CFS
1943-44	253.0	.0	20.9	15,180.0	May 18	253
1944-45	.0	.0	.0	.0		0
1945-46	479.0	.0	31.2	22,610.0	Sep 13	484
1946-47	446.0	.0	16.8	12,200.0	Nov 27	484
1947-48	786.0	.0	10.9	7,880.0	Jun 04	800
1948-49	.0	.0	.0	.0		0
1949-50	.0	.0	.0	.0		0
1950-51	.0	.0	.0	.0		0
1951-52	381.0	.0	3.2	2,280.0	Mar 16	732
1952-53	819.0	.0	10.7	7,720.0	Nov 03	839
1953-54	750.0	.0	11.5	8,350.0	May 07	752
1954-55	.0	.0	.0	.0		0
1955-56	.0	.0	.0	.0		0
1956-57	452.0	.0	4.7	3,400.0	Apr 16	455
1957-58	621.0	.0	27.0	19,530.0	Apr 04	635
1958-59	.0	.0	.0	.0		0
1959-60	.0	.0	.0	.0		0
1960-61	.0	.0	.0	.0		0
1961-62	547.0	.0	12.7	9,190.0	Feb 12	819
1962-63	.0	.0	.0	.0		0
1963-64	.0	.0	.0	.0		0
1964-65	+	+	+	+	Sep 08	1
1965-66	348.0	.0	10.4	7,540.0	Jan 07	425
1966-67	227.0	.0	21.3	15,470.0	Dec 18	236
1967-68	.8	.0		33.0	Nov 20	1
1968-69	268.0	.0	33.6	24,340.0	Apr 15	290
1969-70	55.0	.0	1.9	1,360.0	Mar 03	202
1970-71	90.0	.0	3.4	2,430.0	Dec 24	92
1971-72	95.0	.0	1.0	697.0	Jan 19	116
1972-73	222.0	.0	13.0	9,410.0	Feb 21	280
1973-74	233.0	.0	6.4	4,650.0	Apr 16	241
1974-75	24.0	.0	.6	466.0	Apr 22	27
1975-76	.0	.0	.0	.0		0
1976-77	23.5	.0	2.0	1,439.0	Aug 17	52
1977-78	*	*	56.2	40,699.0	Apr 21	432
1978-79	148.0	.0	16.7	12,113.0	May 01	195
1979-80	388.0	.0	48.3	34,730.0	Mar 02	440

M	Data Missing
*	Record incomplete
E	Estimate
N.D.	Not determined
**	Record not Computed
+	Less than 0.05 Acre Feet or less than 0.05 CFS, but greater than 0

### RUNOFF – STREAM GAGING STATION PEAK FLOW

SANTA FE DIVERSION CHANNEL *below* Santa Fe Dam

STATION NO. F280-R

Season	Daily CFS			Total Runoff (Acre-feet)	Peak Inflow	
	Maximum	Minimum	Mean		Date	CFS
1980-81	370.0	.0	19.8	14,360.0	Nov 20	384
1981-82	268.0	.0	18.0	13,050.0	Jun 17	284
1982-83	365.0	.0	49.9	36,043.0	Jul 13	400
1983-84	382.0	.0	23.1	16,768.0	Oct 14	453
1984-85	31.7	.0	.4	278.0	Dec 19	57
1985-86	378.0	.0	40.2	29,110.0	Feb 27	391
1986-87	4.7	.0	1.9	115.0	Nov 18	7
1987-88	424.0	.0	11.5	8,362.0	Jun 09	429
1988-89	7.0	.0	.4	302.0	May 11	11
1989-90	.0	.0	.0	.0		0
1990-91	547.0	.0	23.5	16,782.0	Jul 31	566
1991-92	428.0	.0	50.2	36,405.0	Feb 04	450
1992-93	193.0	.0	42.0	30,370.0	Aug 09	215
1993-94	72.0	.0	2.1	1,511.0	Jul 29	129
1994-95	410.0	.0	23.5	17,050.0	Dec 04	414
1995-96	385.0	.0	35.8	25,988.0	Oct 05	397
1996-97	393.0	.0	19.6	14,220.0	Jul 22	407
1997-98	452.0	.0	23.5	17,010.0	May 19	467
1998-99	113.0	.0	2.2	1,570.0	Feb 10	225

M	Data Missing
*	Record incomplete
E	Estimate
N.D.	Not determined
**	Record not Computed
+	Less than 0.05 Acre Feet or less than 0.05 CFS, but greater than 0

### RUNOFF – STREAM GAGING STATION PEAK FLOW

SANTIAGO CREEK *above* Little Rock Creek  
STATION NO. F125-R

Season	Daily CFS			Total Runoff (Acre-feet)	Peak Inflow	
	Maximum	Minimum	Mean		Date	CFS
1953-54	24.0	.0	.9	631.0	Jan 25	44
1954-55	13.0	.0	.8	602.0	Feb 17	16
1955-56	41.0	.0	.6	406.0	Jan 26	87
1956-57	6.8	.0	.3	199.0	Jan 13	15
1957-58	58.0	.0	3.2	2,280.0	Apr 03	107
1958-59	10.0	.0	.5	386.0	Feb 16	21
1959-60	1.3	.0	.1	75.0	Feb 02	2
1960-61	+	.0	+	+	Aug 05	1
1961-62	118.0	.0	1.3	945.0	Feb 11	199
1962-63	.9	.0	+	19.0	Apr 21	1
1963-64	.4	.0	+	10.0	Apr 02	1
1964-65	3.5	.0	.1	87.0	Apr 20	4
1965-66	78.0	.0	1.3	926.0	Dec 29	269
1966-67	38.0	.0	1.4	982.0	Dec 06	66
1967-68	9.5	.0	.5	380.0	Nov 21	17
1968-69	345.0	.0	5.8	4,170.0	Jan 25	1,140
1969-70	14.0	.0	.6	455.0	Mar 01	21
1970-71	7.2	.0	.4	290.0	Nov 29	22
1971-72	3.2	.0	.1	75.0	Dec 24	5
1972-73	72.0	.0	.9	640.0	Feb 11	175
1973-74	4.3	.0	.2	144.0	Jan 17	6
1974-75	3.8	.0	.2	121.0	Mar 06	6
1975-76	14.0	.0	.1	55.0	Sep 24	1,060
1976-77	5.5	.0	.1	83.0	May 09	9
1977-78	118.0	.0	N.D.	3,486.0	Feb 09	328
1978-79	23.0	.0	1.4	984.0	Mar 28	30
1979-80	67.0	.0	3.1	2,227.0	Feb 16	193
1980-81	2.8	.0	.2	158.0		N.D.
1981-82	30.0	.0	.8	602.0		N.D.
1982-83	152.0	.0	5.6	4,022.0	Mar 01	280
1983-84	11.2	.0	1.0	711.0	Dec 25	26
1984-85	40.3	.0	.5	347.0	Dec 19	103
1985-86	13.7	.0	.5	337.0	Jan 30	24
1986-87	.7	.0	+	11.0	Mar 07	1
1987-88	17.0	.0	3.3	204.0		
1988-89	10.9	.0	2.9	165.0	Feb 09	86
1989-90	.0	.0	.0	.0		0

M	Data Missing
*	Record incomplete
E	Estimate
N.D.	Not determined
**	Record not Computed
+	Less than 0.05 Acre Feet or less than 0.05 CFS, but greater than 0

### RUNOFF – STREAM GAGING STATION PEAK FLOW

SANTIAGO CREEK *above* Little Rock Creek  
STATION NO. F125-R

Season	Daily CFS			Total Runoff (Acre-feet)	Peak Inflow	
	Maximum	Minimum	Mean		Date	CFS
1990-91	19.7	.0	.2	109.0		N.D.
1991-92	50.8	.0	.9	627.0	Feb 12	97
1992-93	177.0	.0	5.9	4,266.0	Feb 19	235
1993-94	1.5	.0	.3	248.0	Feb 14	2
1994-95	76.5	.0	1.9	1,379.0	Mar 11	90
1995-96	55.6	.0	.5	335.0	Mar 05	75
1996-97	12.0	.0	.2	120.0	Jan 26	19
1997-98	121.0	.0	4.2	3,050.0	Feb 23	317
1998-99	2.8	.0	.3	246.0	Jul 13	5

M	Data Missing
*	Record incomplete
E	Estimate
N.D.	Not determined
**	Record not Computed
+	Less than 0.05 Acre Feet or less than 0.05 CFS, but greater than 0

### RUNOFF – STREAM GAGING STATION PEAK FLOW

SAWPIT WASH *below* Live Oak Avenue  
STATION NO. F194B-R

Season	Daily CFS			Total Runoff (Acre-feet)	Peak Inflow	
	Maximum	Minimum	Mean		Date	CFS
1960-61	50.0	+	*	263*	Jan 26	420
1961-62	573.0	+	16.6	11,980.0	Feb 11	1,300
1962-63	137.0	+	1.6	1,180.0	Feb 09	690
1963-64	83.0	+	1.6	1,190.0	Jan 22	682
1964-65	95.0	+	2.1	1,500.0	Apr 09	1,290
1965-66	243.0	+	7.3	9,240.0	Dec 29	1,470
1966-67	298.0	+	22.0	16,020.0	Dec 03	1,120
1967-68	130.0	+	2.1	1,520.0	Nov 19	1,870
1968-69	1,270.0	+	53.7	38,870.0	Jan 25	3,960
1969-70	773.0	.0	6.7	4,830.0	Feb 28	2,800
1970-71	196.0	+	5.8	4,190.0	Nov 29	1,350
1971-72	142.0	.1	2.0	1,450.0	Dec 24	519
1972-73	381.0	.0	16.8	12,130.0	Feb 27	2,860
1973-74	265.0	.1	9.0	6,490.0	Jan 07	652
1974-75	180.0	+	2.8	2,010.0	Dec 04	2,140
1975-76	101.0	.1	1.8	1,310.0	Sep 11	1,790
1976-77	118.0	.1	3.8	2,732.0	Oct 23	1,090
1977-78	381.0	.0	73.3	53,064.0	Feb 10	2,130
1978-79	160.0	.2	20.3	14,687.0	Feb 21	1,280
1979-80	886.0	.2	50.2	35,952.0	Feb 16	3,940
1980-81	376.0	.0	23.1	16,742.0	Jan 29	900
1981-82	257.0	.1	18.1	13,029.0	Mar 17	1,560
1982-83	530.0	.1	56.4	40,867.0	Mar 01	2,890
1983-84	294.0	.0	20.4	14,767.0	Oct 01	1,210
1984-85	122.0	.0	2.6	1,873.0	Dec 19	801
1985-86	*	*	*	*		*
1986-87	99.2	.1	1.2	857.0	Oct 02	1,070
1987-88	385.0	.0	12.9	9,344.0	Dec 04	1,630
1988-89	75.8	.0	1.6	1,167.0	Dec 16	555
1989-90	147.0	.0	1.3	911.0	Jan 13	707
1990-91	331.0	.0	17.3	12,646.0	Aug 08	375
1991-92	325.0	.0	36.8	26,730.0	Feb 11	1,710
1992-93	352.0	.0	42.4	30,690.0	Jan 14	4,160
1993-94	72.2	.0	3.7	2,671.0	Mar 19	1,160
1994-95	495.0	.1	29.2	21,160.0	Jan 10	1,940
1995-96	530.0	.2	44.1	32,020.0	Jan 31	3,580
1996-97	393.0	.1	22.6	16,350.0	Jan 26	1,130

M	Data Missing
*	Record incomplete
E	Estimate
N.D.	Not determined
**	Record not Computed
+	Less than 0.05 Acre Feet or less than 0.05 CFS, but greater than 0



### RUNOFF – STREAM GAGING STATION PEAK FLOW

SAWPIT WASH *below* Live Oak Avenue  
STATION NO. F194B-R

Season	Daily CFS			Total Runoff (Acre-feet)	Peak Inflow	
	Maximum	Minimum	Mean		Date	CFS
1997-98	452.0	.2	32.6	23,570.0	Feb 06	2,960
1998-99	142.0	.2	3.5	2,500.0	Jan 26	543

M	Data Missing
*	Record incomplete
E	Estimate
N.D.	Not determined
**	Record not Computed
+	Less than 0.05 Acre Feet or less than 0.05 CFS, but greater than 0

### RUNOFF – STREAM GAGING STATION PEAK FLOW

**TOPANGA CREEK above Mouth of Canyon  
STATION NO. F54C-R**

Season	Daily CFS			Total Runoff (Acre-feet)	Peak Inflow	
	Maximum	Minimum	Mean		Date	CFS
1930-31	186.0	+	1.0	705.0	Feb 14	386
1931-32	409.0	+	4.9	3,590.0	Feb 08	1,250
1932-33	542.0	+	3.1	2,240.0	Jan 19	1,430
1933-34	1,590.0	.0	8.9	6,420.0	Dec 31	4,510
1934-35	130.0	+	1.9	1,360.0	Jan 05	1,200
1935-36	77.0	+	2.0	1,490.0	Feb 22	528
1936-37	413.0	+	9.1	6,620.0	Mar 15	1,130
1937-38	3,270.0	+	21.2	15,310.0	Mar 02	9300E
1938-39	NO RECORD					
1939-40	183.0	+	2.9	2,080.0	Feb 01	1,280
1940-41	1100E	+	26.2	18,940.0	Feb 20	8700E
1941-42	47.0	+	.8	540.0	Dec 28	385
1942-43	1100E	+	12.0	8,720.0	Jan 22	2,200
1943-44	1100E	.1	9.6	6,970.0	Feb 22	5,070
1944-45	176.0	.1	1.5	1,090.0	Feb 02	964
1945-46	182.0	+	1.9	1,390.0	Dec 23	905
1946-47	86.0	+	1.4	994.0	Nov 20	567
1947-48	23.0	.0	.2	168.0	Mar 24	276
1948-49	5.0	+	.1	99.0	Dec 26	63
1949-50	35.0	+	.5	379.0	Dec 18	275
1950-51	2.4	+	.1	74.0	Jan 11	21
1951-52	1,990.0	.0	23.3	16,900.0	Jan 15	6,050
1952-53	52.0	+	1.0	725.0	Dec 01	702
1953-54	396.0	.0	2.5	1,820.0	Feb 13	2,090
1954-55	33.0	+	.5	354.0	Jan 18	151
1955-56	337.0	+	1.4	1,030.0	Jan 26	1,540
1956-57	69.0	+	.5	374.0	Feb 23	655
1957-58	599.0	+	10.4	7,460.0	Apr 03	3,950
1958-59	141.0	+	1.1	785.0	Jan 06	1,510
1959-60	76.0	+	.6	422.0	Apr 27	539
1960-61	8.1	+	.1	58.0	Jan 26	28
1961-62	1,150.0	+	10.7	7,720.0	Feb 10	2,790
1962-63	66.0	+	.6	454.0	Feb 09	569
1963-64	17.0	+	.2	178.0	Jan 21	196
1964-65	148.0	+	1.2	886.0	Apr 09	716
1965-66	1,120.0	+	10.0	7,270.0	Dec 29	3,500
1966-67	569.0	.1	7.0	5,070.0	Jan 24	2,280

M	Data Missing
*	Record incomplete
E	Estimate
N.D.	Not determined
**	Record not Computed
+	Less than 0.05 Acre Feet or less than 0.05 CFS, but greater than 0

### RUNOFF – STREAM GAGING STATION PEAK FLOW

TOPANGA CREEK *above* Mouth of Canyon  
STATION NO. F54C-R

Season	Daily CFS			Total Runoff (Acre-feet)	Peak Inflow	
	Maximum	Minimum	Mean		Date	CFS
1967-68	186.0	.1	2.2	1,570.0	Mar 08	567
1968-69	4,920.0	.1	40.6	29,400.0	Jan 25	12,200
1969-70	84.0	.0	1.2	902.0	Mar 04	844
1970-71	720.0	+	6.3	4,560.0	Jan 29	3,020
1971-72	110.0	.2	1.1	809.0	Dec 27	588
1972-73	1,140.0	.1	8.6	6,250.0	Feb 11	3,840
1973-74	1,060.0	.1	5.7	4,110.0	Jan 07	2,060
1974-75	286.0	.1	3.0	2,200.0	Mar 06	1,670
1975-76	24.0	+	.3	214.0	Feb 09	72
1976-77	30.0	+	.6	405.0	Jan 03	219
1977-78	2,676.0	.1	32.4	23,480.0	Mar 04	10,127
1978-79	425.0	.2	7.2*	5,180.0	Mar 27	2,490
1979-80	3,919.0	.2	32.0	23,236.0	Feb 16	13,800
1980-81	89.7	.1	1.8	1,279.0	Mar 02	219
1981-82	143.8	.2	1.5	1,066.0	Mar 17	650
1982-83	2,274.0	.2	277.0	19,241.0	Jan 27	10,200
1983-84	203.0	.2	2.2	1,445.0	Dec 25	2,612
1984-85	26.3	.2	1.3	943.0	Dec 26	56
1985-86	823.0	.2	10.0	7,211.0	Feb 14	5,135
1986-87	*	*	*	*		*
1987-88	*	*	*	*		*
1988-89	9.7	.1	.4	283.0	Dec 21	32
1989-90	*	*	*	*		*
1990-91	DISCONT.	RESTORED	? -10/97			
1996-97	80.0	.6	3.0	2,140.0	Dec 09	229
1997-98	494.0	.7	24.4	17,640.0	Feb 23	2,470
1998-99	19.0	.5	1.2	839.0	Apr 11	93

M	Data Missing
*	Record incomplete
E	Estimate
N.D.	Not determined
**	Record not Computed
+	Less than 0.05 Acre Feet or less than 0.05 CFS, but greater than 0

### RUNOFF – STREAM GAGING STATION PEAK FLOW

VERDUGO WASH @ Estelle Avenue  
STATION NO. F252-R

Season	Daily CFS			Total Runoff (Acre-feet)	Peak Inflow	
	Maximum	Minimum	Mean		Date	CFS
1928-29	15.0	.0	*	140*	Apr 04	56*
1929-30	14.0	.0	.4	274.0	May 03	80
1930-31	8.4	+	.2	145.0	Apr 26	46
1931-32	39.0	.1	1.0	713.0	Feb 09	145
1932-33	42.0	.1	.4	295.0	Jan 19	391
1933-34	NO RECORD					
1934-35	85*	.0	*	620.0	Jan 05	1020*
1935-36	33.0	.0	.6	463.0	Mar 30	1100*
1936-37	*	.0	*	1,560.0	Dec 27	768
1937-38	1,500.0	.0	7.5	5,450.0	Mar 02	4400E
1938-39	78.0	.0	2.0	1,420.0	Jan 05	520
1939-40	60.0	+	2.0	1,430.0	Jan 08	533
1940-41	357.0	+	10.2	7,370.0	Feb 19	1,120
1941-42	81.0	.8	3.0	2,160.0	Dec 10	440
1942-43	1,020.0	.3	12.0	8,690.0	Jan 23	3,570
1943-44	998.0	.2	7.0	5,040.0	Feb 22	3,160
1944-45	181.0	.6	2.8	2,010.0	Feb 02	1,520
1945-46	135.0	.3	2.7	1,930.0	Dec 22	816
1946-47	234.0	.0	2.7	1,940.0	Dec 25	1,860
1947-48	41.0	.0	.5	382.0	Mar 24	573
1948-49	35.0	.0	.6	433.0	Dec 16	202
1949-50	69.0	.0	.9	638.0	Feb 06	467
1950-51	41.0	.0	.5	383.0	Jan 11	960
1951-52	422.0	.0	7.8	5,630.0	Jan 16	2,920
1952-53	100.0	.0	1.3	968.0	Nov 15	1,520
1953-54	227.0	.0	2.7	1,920.0	Feb 13	1,300
1954-55	134.0	.0	2.0	1,480.0	Jan 18	784
1955-56	550.0	.0	2.5	1,840.0	Jan 26	1,940
1956-57	184.0	.0	1.9	1,400.0	Feb 23	2,960
1957-58	236.0	.0	5.2	3,770.0	Feb 19	1,700
1958-59	232.0	.0	2.0	1,440.0	Feb 16	2,080
1959-60	56.0	.0	1.2	862.0	Jan 11	533
1960-61	98.0	+	.9	667.0	Nov 05	676
1961-62	592.0	.0	6.8	4,830.0	Feb 12	1,880
1962-63	370.0	+	2.0	1,460.0	Feb 09	2,180
1963-64	192.0	.0	2.1	1,510.0	Jan 21	1,640
1964-65	249.0	+	3.8	2,780.0	Apr 08	1,480

M	Data Missing
*	Record incomplete
E	Estimate
N.D.	Not determined
**	Record not Computed
+	Less than 0.05 Acre Feet or less than 0.05 CFS, but greater than 0

### RUNOFF – STREAM GAGING STATION PEAK FLOW

VERDUGO WASH @ Estelle Avenue  
STATION NO. F252-R

Season	Daily CFS			Total Runoff (Acre-feet)	Peak Inflow	
	Maximum	Minimum	Mean		Date	CFS
1965-66	1,030.0	.1	12.2	8,830.0	Dec 29	3,480
1966-67	422.0	.5	10.4	7,530.0	Jan 22	3,230
1967-68	606.0	.2	9.3	6,730.0	Mar 08	3,460
1968-69	1,850.0	1.8	36.1	26,120.0	Jan 25	5,050
1969-70	261.0	2.0	8.4	6,090.0	Feb 28	2,500
1970-71	931.0	1.8	10.6	7,690.0	Nov 29	5,330
1971-72	476.0	1.2	14.8	4,570.0	Dec 24	1,960
1972-73	897.0	1.0	12.8	9,280.0	Jan 18	4,010
1973-74	671.0	1.8	10.2	7,380.0	Jan 07	2,390
1974-75	373.0	.7	7.7	5,590.0	Dec 04	3,390
1975-76	180.0	.5	6.4	4,560.0	Mar 01	1,190
1976-77	210.0	.3	6.0	4,318.0	Jan 03	2,100
1977-78	1,700.0	+	34.2	24,739.0	Feb 10	9,820
1978-79	286.0	.0	7.3	5,269.0	Mar 27	2,870
1979-80	440.0	1.2	18.1	13,000.0	Feb 16	6,420
1980-81	266.0	1.5	12.0	8,706.0	Jan 29	2,870
1981-82	333.0	1.0	12.5	9,083.0	Apr 01	1,960
1982-83	1,260.0	2.0	37.0	26,750.0	Mar 01	6,714
1983-84	NO RECORD					
1984-85	279.0	1.0	9.2	6,686.0	Dec 19	2,430
1985-86	437.0	1.2	12.1	8,737.0	Mar 08	1,620
1986-87	158.0	1.5	5.0	3,635.0		
1987-88	688.0	2.3	19.3	14,042.0	Feb 01	4,150
1988-89	301.0	.3	9.1	6,262.0	Dec 16	1,700
1989-90	474.0		5.7	4,120.0	Feb 17	1,820
1990-91	544.0	.2	11.1	8,017.0		
1991-92	636.0	.0	20.1	14,621.0	Feb 10	4,110
1992-93	733.0	1.7	32.5	23,520.0	Jun 05	4,320
1993-94	265.0	.0	10.4	7,543.0	Nov 30	2,220
1994-95	1,710.0	1.0	46.5	33,700.0	Jan 10	4,460
1995-96	1,260.0	.8	18.6	13,520.0	Feb 21	3,460
1996-97	1,140.0	1.9	23.3	16,860.0	Dec 22	3,010
1997-98	966.0	3.9	22.3	16,150.0	Feb 07	5,550
1998-99	117.0	3.6	10.0	7,250.0	Nov 28	1,390

M	Data Missing
*	Record incomplete
E	Estimate
N.D.	Not determined
**	Record not Computed
+	Less than 0.05 Acre Feet or less than 0.05 CFS, but greater than 0

### RUNOFF – STREAM GAGING STATION PEAK FLOW

**WALNUT CREEK *above* Puente Avenue  
STATION NO. F304-R**

Season	Daily CFS			Total Runoff (Acre-feet)	Peak Inflow	
	Maximum	Minimum	Mean		Date	CFS
1952-53	47.0	.0	.4	292.0	Dec 01	713
1953-54	297.0	.0	34.9	25,290.0	Feb 13	1,500
1954-55	337.0	.0	29.9	21,640.0	Jan 18	732
1955-56	1,120.0	.0	68.5	49,730.0	Jan 26	3,450
1956-57	361.0	.0	71.2	51,530.0	Feb 28	2,200
1957-58	494.0	.0	11.7	8,490.0	Apr 07	2,510
1958-59	279.0	.0	2.2	1,610.0	Jan 06	2,480
1959-60	163.0	.0	1.8	1,300.0	Jan 12	1,160
1960-61	272.0	.0	12.4	9,010.0	Jan 26	411
1961-62	431.0	*	*	4800*	Feb 11	2,090
1962-63	267.0	+	4.6	3,360.0	Mar 16	1,410
1963-64	232.0	+	3.9	2,860.0	Jan 22	1,280
1964-65	435.0	.2	16.1	11,640.0	Apr 09	3,250
1965-66	646.0	.2	11.0	7,920.0	Dec 29	2,060
1966-67	685.0	.1	20.8	15,060.0	Jan 24	3,360
1967-68	647.0	+	23.3	16,880.0	Mar 08	3,390
1968-69	1,830.0	+	68.4	49,490.0	Feb 25	4,960
1969-70	278.0	+	4.5	3,250.0	Mar 01	2,210
1970-71	384.0	.0	9.4	6,810.0	Dec 21	1,630
1971-72	546.0	.0	4.1	3,070.0	Dec 24	2,650
1972-73	591.0	.0	9.5	6,920.0	Jan 16	2,730
1973-74	749.0	.1	9.2	6,670.0	Jan 07	2,020
1974-75	551.0	+	7.1	5,170.0	Dec 04	4,200
1975-76	255.0	+	3.9	2,800.0	Sep 10	1,200
1976-77	295.0	.0	5.4	3,939.0	May 09	1,920
1977-78	1,970.0	.0	65.0	47,085.0	Mar 04	7,820
1978-79	714.0	.0	17.4	12,619.0	Mar 27	3,020
1979-80	2,490.0	.0	54.5	38,432.0	Feb 16	6,280
1980-81	468.0	.0	4.7	3,406.0	Mar 01	1,840
1981-82	724.0	.0	11.1	8,030.0	Mar 14	2,800
1982-83	1,570.0	.0	45.2	32,750.0	Feb 27	5,850
1983-84	424.0	.0	5.7	4,138.0	Oct 01	2,340
1984-85	276.0	.0	8.2	5,917.0	Nov 13	2,230
1985-86	532.0	.0	13.2	9,537.0	Mar 08	3,580
1986-87	693.0	.0	5.4	3,976.0	Oct 02	2,653
1987-88	454.0	.0	7.3	5,355.0	Oct 22	3,288
1988-89	157.0	.0	2.3	1,626.0	Mar 25	869

M	Data Missing
*	Record incomplete
E	Estimate
N.D.	Not determined
**	Record not Computed
+	Less than 0.05 Acre Feet or less than 0.05 CFS, but greater than 0

### RUNOFF – STREAM GAGING STATION PEAK FLOW

WALNUT CREEK *above* Puente Avenue

STATION NO. F304-R

Season	Daily CFS			Total Runoff (Acre-feet)	Peak Inflow	
	Maximum	Minimum	Mean		Date	CFS
1989-90	43.7	.0	2.9	2,066.0	May 28	2,006
1990-91	724.0	.0	11.1	7,924.0	Mar 26	3,386
1991-92	1,090.0	.0	28.1	20,383.0	Feb 12	6,400
1992-93	1,470.0	.0	68.9	49,850.0	Jan 07	5,700
1993-94	249.0	.0	6.6	4,807.0	Apr 26	2,690
1994-95	900.0	.0	24.8	17,970.0	Jan 10	5,040
1995-96	1,200.0	.0	17.0	12,338.0	Jan 31	5,400
1996-97	453.0	.0	12.9	9,360.0	Jan 26	2,810
1997-98	1,310.0	+	39.0	28,250.0	Feb 07	5,670
1998-99	159.0	.0	6.3	4,590.0	Nov 28	1,400

M	Data Missing
*	Record incomplete
E	Estimate
N.D.	Not determined
**	Record not Computed
+	Less than 0.05 Acre Feet or less than 0.05 CFS, but greater than 0

# **APPENDIX E**

**RESERVOIRS – YEARLY RESERVOIR OPERATION**



## RESERVOIRS – YEARLY RESERVOIR OPERATION SUMMARY

### Big Dalton Dam

Season	Inflow Annual (AF)	Inflow		Outflow Annual (AF)	Peak Inflow	
		Max-Day (CFS)	Min-Day (CFS)		Date	Q (CFS)
1929-30	52	3.0	.0	52.0		N.D.
1930-31	41	2.0	.0	41.0	Apr 26	3.0
1931-32	690	54.0	.0	688.0	Feb 09	86.0
1932-33	79	5.0	.0	81.0	Jan 20	12.0
1933-34	448	93.0	.0	448.0	Jan 01	227.0
1934-35	593	21.0	.0	575.0	Apr 08	49.0
1935-36	360	12.0	.0	370.0	Feb 11	72.0
1936-37	1,879	51.0	.0	1,868.0	Feb 06	98.0
1937-38	3,271	415.0	.0	3,192.0	Mar 02	1,320.0
1938-39	280	4.0	.0	288.0	Jan 05	26.0
1939-40	232	4.0	.0	236.0	Jan 08	29.0
1940-41	2,767	56.0	+	2,748.0	Mar 04	88.0
1941-42	209	2.0	.0	233.0	Mar 14	6.0
1942-43	3,143	160.0	.0	3,110.0	Jan 23	595.0
1943-44	1,087	109.0	+	1,085.0	Feb 22	226.0
1944-45	734	19.0	.0	729.0	Nov 11	47.0
1945-46	525	40.0	.0	509.0	Dec 23	148.0
1946-47	492	16.0	.0	512.0	Nov 20	56.0
1947-48	58	1.0	.0	8.0	Apr 28	9.7
1948-49	94	1.0	.0	113.0	Dec 17	3.3
1949-50	142	2.0	.0	130.0	Feb 06	3.5
1950-51	27	2.0	+	14.0	Jan 11	4.8
1951-52	1,626	73.0	.0	1,577.0	Jan 16	154.0
1952-53	120	1.0	+	68.0	Dec 01	4.8
1953-54	346	13.0	.0	359.0	Jan 25	53.0
1954-55	87	1.0	+	5.0	Jan 18	2.4
1955-56	190	14.0	+	213.0	Jan 26	56.0
1956-57	76	1.0	+	27.0	Jan 13	1.8
1957-58	2,104	97.0	.0	2,052.0	Apr 03	169.0
1958-59	160	6.0	+	133.0	Feb 16	26.0
1959-60	54	1.0	+	11.0	Apr 27	4.8
1960-61	187	18.0	.0	1,510.0	Nov 05	462.0
1961-62	1,222	63.0	.0	933.0	Dec 02	1,130.0
1962-63	248	20.0	.0	159.0	Feb 09	92.0
1963-64	165	3.0	.0	300.0	Mar 22	30.0
1964-65	380	18.0	.0	15.0	Apr 09	73.0
1965-66	2,210	113.0	.0	2,013.0	Nov 22	489.0
1966-67	4,787	292.0	.0	4,790.0	Dec 06	685.0
1967-68	771	15.0	.0	681.0	Nov 19	56.0
1968-69	13,251	1,210.0	.0	12,995.0	Jan 25	1,540.0

N.D. Not determined

R.I. Records incomplete

+ Less than 0.05 Acre Feet or less than 0.05 CFS, but greater than 0

## RESERVOIRS – YEARLY RESERVOIR OPERATION SUMMARY

### Big Dalton Dam

Season	Inflow Annual (AF)	Inflow		Outflow Annual (AF)	Peak Inflow	
		Max-Day (CFS)	Min-Day (CFS)		Date	Q (CFS)
1969-70	728	15.0	.0	610.0	Feb 28	91.0
1970-71	856	22.0	.0	1,100.0	Dec 21	38.0
1971-72	217	10.0	+		Dec 27	11.0
1972-73	1,386	100.0	+	1,046.0	Feb 11	163.0
1973-74	860	43.0	.0	1,030.0	Jan 07	68.0
1974-75	379	4.0	.0	211.0	Mar 06	7.8
1975-76	237	6.0	.0	467.0	Mar 01	17.0
1976-77	171	3.0	.0	20.0	Jan 03	14.0
1977-78	6,182	232.0	.0	6,234.0	Mar 04	500.0
1978-79	R.I.					N.D.
1979-80	R.I.					N.D.
1980-81	349	5.0	.0	364.0	Jan 29	29.0
1981-82	1,018	50.0	.0	923.0	Mar 17	53.0
1982-83	5,562	240.0	.0	5,532.0	Mar 01	350.0
1983-84	703	8.0	.0	704.0	Dec 25	16.0
1984-85	611	10.0	.0	585.0	Dec 19	16.0
1985-86	886	20.0	.0	865.0	Mar 16	3.0
1986-87	203	4.0	.0	196.0	Jan 04	3.0
1987-88	342	7.0	.0	324.0	Jan 17	17.0
1988-89	382	13.0	.0	340.0	Feb 04	31.0
1989-90	112	3.0	.0	90.0	Feb 17	8.0
1990-91	470	26.0	.0	453.0	Mar 27	62.0
1991-92	1,259	37.0	.0	1,243.0	Feb 12	121.0
1992-93	7,102	322.0	.0	7,146.0	Jan 18	385.0
1993-94	369	3.0	.0	300.0	Feb 07	4.0
1994-95	3,839	73.0	.0	3,820.0	Jan 10	127.0
1995-96	1,247	54.0	.0	1,215.0	Feb 20	96.0
1996-97	1,127	7.6	.0	1,108.0		N.D.
1997-98	4,703	213.0	.0	4,642.0	Feb 23	344.0
1998-99						N.D.

N.D. Not determined

R.I. Records incomplete

+ Less than 0.05 Acre Feet or less than 0.05 CFS, but greater than 0

## RESERVOIRS – YEARLY RESERVOIR OPERATION SUMMARY

### Big Tujunga Dam

Season	Inflow Annual (AF)	Inflow		Outflow Annual (AF)	Peak Inflow	
		Max-Day (CFS)	Min-Day (CFS)		Date	Q (CFS)
1932-33	4,342	218.0	.0	4,518.0		N.D.
1933-34	4,441	994.0	.0	4,234.0	Jan 01	2,430.0
1934-35	11,992	380.0	.0	10,698.0	Apr 08	718.0
1935-36	3,875	130.0	.0	5,508.0	Feb 12	312.0
1936-37	26,969	803.0	.6	25,729.0	Feb 06	1,740.0
1937-38	64,855	12,030.0	1.0	65,022.0	Mar 02	32,940.0
1938-39	9,905	327.0	1.2	9,106.0	Dec 19	666.0
1939-40	7,058	337.0	.4	7,197.0	Jan 08	2,300.0
1940-41	59,402	1,200.0	.9	59,086.0	Mar 04	1,570.0
1941-42	7,120	70.0	.8	7,724.0	Dec 10	134.0
1942-43	52,877	5,700.0	1.1	52,919.0	Jan 23	17,850.0
1943-44	42,270	2,780.0	5.0	41,722.0	Feb 22	4,770.0
1944-45	13,206	475.0	1.2	12,231.0	Nov 11	1,850.0
1945-46	11,543	1,150.0	.8	12,383.0	Mar 30	2,310.0
1946-47	12,987	674.0	.9	12,827.0	Nov 13	1,690.0
1947-48	2,679	44.0	.7	3,579.0	Apr 29	85.0
1948-49	2,129	16.0	.1	1,645.0	Mar 11	18.0
1949-50	2,029	32.0	.2	1,905.0	Feb 06	43.0
1950-51	841	7.7	.1	1,235.0	Apr 29	17.0
1951-52	27,288	896.0	.3	26,125.0	Jan 18	2,030.0
1952-53	3,496	35.0	.1	4,873.0	Nov 15	108.0
1953-54	5,389	212.0	.1	5,290.0	Jan 25	500.0
1954-55	2,623	30.0	.2	2,282.0	Jan 18	52.0
1955-56	3,026	233.0	.4	3,433.0	Jan 26	582.0
1956-57	1,967	107.0	.1	1,660.0	Jan 13	283.0
1957-58	27,558	1,220.0	.1	27,563.0	Apr 03	2,860.0
1958-59	3,405	172.0	.1	3,152.0	Jan 06	213.0
1959-60	1,183	12.0	.3	1,653.0	Jan 12	24.0
1960-61	838	14.0	.4	718.0	Nov 06	35.0
1961-62	16,711	2,540.0	.4	16,776.0	Feb 11	5,050.0
1962-63	1,715	90.0	.2	1,359.0	Feb 10	237.0
1963-64	1,526	40.0	.0	2,039.0	Jan 22	90.0
1964-65	2,429	60.0	.4	1,503.0	Apr 09	165.0
1965-66	30,772	2,810.0	.6	29,779.0	Dec 29	10,800.0
1966-67	30,158	1,180.0	1.6	30,338.0	Dec 06	2,600.0
1967-68	10,584	352.0	1.0	11,446.0	Nov 21	725.0
1968-69	107,609	7,800.0	.0	106,462.0	Feb 25	17,800.0
1969-70	11,643	372.0	1.5	11,624.0	Mar 01	613.0
1970-71	12,394	1,100.0	2.1	11,412.0	Nov 29	3,970.0
1971-72	4,118	194.0	.5	3,374.0	Dec 24	462.0

N.D. Not determined

R.I. Records incomplete

+ Less than 0.05 Acre Feet or less than 0.05 CFS, but greater than 0

## RESERVOIRS - YEARLY RESERVOIR OPERATION SUMMARY

### Big Tujunga Dam

Season	Inflow Annual (AF)	Inflow		Outflow Annual (AF)	Peak Inflow	
		Max-Day (CFS)	Min-Day (CFS)		Date	Q (CFS)
1972-73	15,375	1,914.0	.5	14,680.0	Feb 11	6,320.0
1973-74	8,663	256.0	.9	5,582.0	Jan 07	561.0
1974-75	5,442	198.0	.3	8,666.0	Mar 06	315.0
1975-76	4,482	408.0	.1	3,863.0	Feb 09	1,400.0
1976-77	3,928	164.0	1.2	3,547.0	Jan 03	878.0
1977-78	R.I.					N.D.
1978-79	R.I.					N.D.
1979-80	R.I.					N.D.
1980-81	10,927	226.0	3.0	11,470.0	Jan 29	496.0
1981-82	16,578	569.0	3.8	16,557.0	Mar 17	1,499.0
1982-83	95,294	7,065.0	3.8	93,880.0	Mar 01	10,007.0
1983-84	10,861	337.0	.0	11,314.0	Dec 25	808.0
1984-85	7,362	200.0	.7	6,952.0	Dec 19	361.0
1985-86	12,370	529.0	.4	11,757.0	Jan 30	969.0
1986-87	2,943	28.0	.0	2,843.0	Jan 04	53.0
1987-88	7,121	190.0	.0	6,902.0	Feb 29	685.0
1988-89	4,300	91.0	.0	4,208.0	Feb 10	131.0
1989-90	929	41.0	.0	741.0	Feb 17	62.0
1990-91	8,074	530.0	.0	7,992.0	Mar 01	1,871.0
1991-92	31,767	1,249.0	.1	31,414.0	Feb 12	5,167.0
1992-93	89,492	3,490.0	.2	89,311.0	Feb 19	7,774.0
1993-94	8,635	80.0	.0	9,241.0	Feb 08	170.0
1994-95	34,562	1,005.0	.2	34,532.0	Jan 10	3,608.0
1995-96	8,491	477.0	1.1	7,970.0	Feb 21	530.0
1996-97	9,025	156.0	.3	8,080.0		N.D.
1997-98	48,676	3,370.0	.4	48,281.0	Feb 23	8,288.0
1998-99						N.D.

N.D. Not determined

R.I. Records incomplete

+ Less than 0.05 Acre Feet or less than 0.05 CFS, but greater than 0

## RESERVOIRS – YEARLY RESERVOIR OPERATION SUMMARY

### Cogswell Dam

Season	Inflow Annual (AF)	Inflow		Outflow Annual (AF)	Peak Inflow	
		Max-Day (CFS)	Min-Day (CFS)		Date	Q (CFS)
1934-35	3,517	54.0	.1	3,517.0		N.D.
1935-36	7,154	265.0	.0	7,138.0		N.D.
1936-37	32,986	943.0	.1	32,996.0	Feb 14	1,240.0
1937-38	60,336	7,990.0	1.4	58,799.0	Mar 02	24,710.0
1938-39	11,560	673.0	.9	11,369.0	Sep 25	1,360.0
1939-40	9,634	309.0	.8	9,569.0	Jan 08	2,020.0
1940-41	61,270	1,400.0	.5	59,951.0	Feb 20	1,640.0
1941-42	6,080	108.0	.3	7,331.0	Dec 10	294.0
1942-43	54,700	2,320.0	.7	53,703.0	Jan 23	15,000.0
1943-44	38,150	2,860	1.4	37,460.0	Feb 22	4,650.0
1944-45	11,887	424.0	1.4	10,385.0	Nov 11	1,600.0
1945-46	14,711	1,260.0	.8	16,377.0	Mar 30	2,790.0
1946-47	20,135	1,030.0	.1	20,135.0	Dec 25	2,290.0
1947-48	3,103	86.0	.3	3,032.0	Apr 29	262.0
1948-49	2,911	32.0	.3	2,765.0	Jan 20	65.0
1949-50	3,778	99.0	.4	3,536.0	Dec 18	239.0
1950-51	887	9.6	.3	568.0	Apr 29	24.0
1951-52	33,783	1,260.0	.3	25,439.0	Jan 16	2,640.0
1952-53	4,410	70.0	.8	12,345.0	Dec 01	254.0
1953-54	8,004	412.0	.3	7,500.0	Jan 24	1,030.0
1954-55	3,941	51.0	.3	3,165.0	Apr 30	176.0
1955-56	4,070	419.0	.1	3,564.0	Jan 26	1,040.0
1956-57	3,421	225.0	.2	3,757.0	Jan 13	685.0
1957-58	36,476	1,460.0	.0	34,530.0	Apr 03	3,710.0
1958-59	4,904	340.0	.4	6,205.0	Jan 06	1,760.0
1959-60	1,935	27.0	.5	2,006.0	Jan 10	65.0
1960-61	1,106	36.0	.4	572.0	Jan 26	116.0
1961-62	25,497	3,480.0	.3	23,255.0	Feb 11	7,010.0
1962-63	3,220	153.0	.6	4,783.0	Feb 09	1,017.0
1963-64	2,587	89.0	.4	2,647.0	Apr 01	276.0
1964-65	5,037	266.0	.3	4,159.0	Apr 09	479.0
1965-66	41,747	2,640.0	.3	42,170.0	Dec 29	9,220.0
1966-67	40,504	1,860.0	.6	32,757.0	Dec 06	4,650.0
1967-68	9,569	338.0	.6	12,713.0	Nov 19	893.0
1968-69	95,676	6,380.0	.1	90,488.0	Jan 25	15,700.0
1969-70	10,222	410.0	1.0	13,859.0	Feb 28	1,020.0
1970-71	10,822	1,030.0	.8	11,683.0	Nov 29	2,930.0
1971-72	4,009	297.0	.4	4,557.0	Dec 24	798.0
1972-73	19,613	2,210.0	.4	16,632.0	Feb 11	6,970.0
1973-74	12,746	424.0	1.1	12,051.0	Jan 07	880.0

N.D. Not determined

R.I. Records incomplete

+ Less than 0.05 Acre Feet or less than 0.05 CFS, but greater than 0

## RESERVOIRS - YEARLY RESERVOIR OPERATION SUMMARY

### Cogswell Dam

Season	Inflow Annual (AF)	Inflow		Outflow Annual (AF)	Peak Inflow	
		Max-Day (CFS)	Min-Day (CFS)		Date	Q (CFS)
1974-75	6,610	241.0	1.1	8,344.0	Mar 06	432.0
1975-76	5,550	509.0	.1	5,040.0	Feb 09	824.0
1976-77	4,955	206.0	.3	5,000.0	Jan 03	421.0
1977-78	86,754	3,852.0	.0	86,030.0	Feb 10	11,200.0
1978-79	23,057	519.0	1.9	24,083.0	Jan 05	343.0
1979-80	59,867	3,028.0	1.8	57,887.0	Feb 16	6,196.0
1980-81	5,299	127.0	.0	7,752.0	Jan 29	511.0
1981-82	14,258	605.0	.4	9,059.0	Mar 17	1,238.0
1982-83	77,775	3,966.0	1.4	78,446.0	Mar 02	5,898.0
1983-84	9,561	272.0	2.8	12,495.0	Dec 25	790.0
1984-85	7,167	284.0	.0	6,383.0	Dec 19	531.0
1985-86	15,584	560.0	.6	15,314.0	Feb 15	916.0
1986-87	2,194	35.0	.1	2,669.0	Jan 04	63.0
1987-88	11,621	282.0	.0	10,919.0	Mar 01	528.0
1988-89	4,953	99.0	.0	5,105.0	Feb 04	175.0
1989-90	1,903	61.0	.0	1,775.0	Feb 18	99.0
1990-91	10,229	605.0	.0	10,921.0	Mar 01	1,063.0
1991-92	39,922	2,352.0	.2	39,922.0	Feb 11	5,231.0
1992-93	83,608	2,330.0	.0	78,936.0	Feb 19	4,135.0
1993-94	6,896	105.0	.2	11,142.0	Feb 08	162.0
1994-95	41,056	1,002.0	.1	41,072.0	Jan 10	2,479.0
1995-96	8,780	496.0	.1	8,777.0	Feb 20	1,056.0
1996-97	9,428	192.0	.2	8,089.0		N.D.
1997-98	47,709	3,476.0	.5	41,403.0	Feb 23	7,343.0
1998-99						N.D.

N.D. Not determined

R.I. Records incomplete

+ Less than 0.05 Acre Feet or less than 0.05 CFS, but greater than 0

## RESERVOIRS - YEARLY RESERVOIR OPERATION SUMMARY

### Devil's Gate Dam

Season	Inflow Annual (AF)	Inflow		Outflow Annual (AF)	Peak Inflow	
		Max-Day (CFS)	Min-Day (CFS)		Date	Q (CFS)
1933-34	2,938	757.0	.0	.0	Jan 01	3,310.0
1934-35	3,843	N.D.	.0	N.D.	Oct 17	1,310.0
1935-36	3,457	N.D.	.0	86.0	Feb 02	939.0
1936-37	12,030	340.0	.0	2,818.0	Feb 06	852.0
1937-38	25,436	3,720.0	.0	17,496.0	Mar 02	10,840.0
1938-39	3,044	200.0	.0	634.0	Dec 19	201.0
1939-40	1,350	142.0	.0	745.0	Jan 08	859.0
1940-41	27,013	1,380.0	.0	24,582.0	Feb 20	3,870.0
1941-42	689	91.0	.0	443.0	Dec 10	479.0
1942-43	25,655	2,560.0	.0	23,552.0	Jan 23	7,740.0
1943-44	8,680	1,450.0	.0	7,905.0	Feb 22	2,310.0
1944-45	2,341	288.0	.0	2,031.0	Nov 11	949.0
1945-46	2,994	435.0	.0	1,343.0	Dec 22	1,040.0
1946-47	4,045	285.0	.0	3,949.0	Dec 25	1,280.0
1947-48	260	32.0	.0	57.0	Mar 24	444.0
1948-49	185	14.0	.0	37.0	Mar 10	59.0
1949-50	318	37.0	.0	81.0	Feb 06	237.0
1950-51	171	18.0	.0	17.0	Jan 11	468.0
1951-52	11,508	792.0	.0	11,377.0	Jan 16	2,650.0
1952-53	563	51.0	.0	194.0	Nov 15	823.0
1953-54	1,324	178.0	.0	488.0	Jan 25	565.0
1954-55	651	50.0	.0	154.0	Jan 18	334.0
1955-56	2,229	591.0	.0	1,339.0	Jan 26	1,420.0
1956-57	926	111.0	.0	142.0	Feb 23	795.0
1957-58	9,642	447.0	.0	6,508.0	Apr 03	1,020.0
1958-59	1,055	160.0	.0	465.0	Jan 06	1,280.0
1959-60	1,052	40.0	.0	131.0	Jan 11	329.0
1960-61	1,035	131.0	.0	488.0	Nov 06	1,260.0
1961-62	7,014	970.0	.0	5,260.0	Feb 11	1,840.0
1962-63	1,215	289.0	.0	251.0	Feb 09	1,290.0
1963-64	860	81.0	.0	170.0	Jan 21	727.0
1964-65	1,721	170.0	.0	246.0	Apr 09	755.0
1965-66	15,667	1,340.0	.0	13,199.0	Nov 22	3,740.0
1966-67	16,391	934.0	.0	6,057.0	Dec 06	2,130.0
1967-68	6,858	698.0	.0	2,233.0	Nov 19	1,310.0
1968-69	44,817	4,220.0	.0	39,164.0	Jan 25	7,910.0
1969-70	2,109	202.0	.0	1,311.0	Mar 04	534.0
1970-71	3,098	682.0	.0	1,894.0	Nov 29	1,760.0
1971-72	798	152.0	.0	+	Dec 24	433.0
1972-73	8,298	1,517.0	.0	5,615.0	Feb 11	3,520.0

N.D. Not determined

R.I. Records incomplete

+ Less than 0.05 Acre Feet or less than 0.05 CFS, but greater than 0

## RESERVOIRS - YEARLY RESERVOIR OPERATION SUMMARY

### Devil's Gate Dam

Season	Inflow Annual (AF)	Inflow		Outflow Annual (AF)	Peak Inflow	
		Max-Day (CFS)	Min-Day (CFS)		Date	Q (CFS)
1973-74	4,032	589.0	.0	2,749.0	Jan 07	1,100.0
1974-75	2,024	237.0	.0	711.0	Mar 06	451.0
1975-76	2,172	281.0	.0	1,204.0	Sep 10	869.0
1976-77	1,682	177.0	.0	1,593.0	Jan 03	587.0
1977-78	R.I.				Mar 04	6,941.0
1978-79	R.I.				Mar 28	269.0
1979-80	R.I.				Feb 16	2793*
1980-81	1,857	84.0	.0	2,337.0	Jan 29	802.0
1981-82	6,574	199.0	.0	6,569.0	Mar 17	272.0
1982-83	26,491	2,571.0	.0	26,338.0	Mar 02	3,419.0
1983-84	937	100.0	.0	1,074.0	Oct 01	105.0
1984-85	1,320	129.0	.0	1,320.0	Dec 19	480.0
1985-86	2,877	166.0	.0	2,877.0	Feb 15	282.0
1986-87	N.D.	N.D.		N.D.	Jan 04	202.0
1987-88	2,346	96.0	.0	2,346.0	Oct 31	226.0
1988-89	113	18.0	.0	113.0	Dec 16	54.0
1989-90	142	12.0	.0	142.0	Feb 17	88.0
1990-91	4,997	523.0	.0	4,997.0	Mar 01	924.0
1991-92	19,885	1,310.0	.0	19,885.0	Feb 12	3,107.0
1992-93	60,794	1,134.0	.0	60,793.0	Jan 17	2,213.0
1993-94	1,456	21.0	.0	1,456.0	Feb 17	25.0
1994-95	21,173	1,030.0	.0	21,173.0	Jan 10	2,493.0
1995-96	3,119	414.0	.0	3,120.0	Feb 21	584.0
1996-97	R.I.					N.D.
1997-98	R.I.					N.D.
1998-99						N.D.

N.D. Not determined

R.I. Records incomplete

+ Less than 0.05 Acre Feet or less than 0.05 CFS, but greater than 0



## RESERVOIRS - YEARLY RESERVOIR OPERATION SUMMARY

### Eaton Wash Dam

Season	Inflow Annual (AF)	Inflow		Outflow Annual (AF)	Peak Inflow	
		Max-Day (CFS)	Min-Day (CFS)		Date	Q (CFS)
1936-37	3,062	112.0	.0	1,502.0		N.D.
1937-38	6,993	883.0	.0	5,213.0	Mar 02	2,670.0
1938-39	340	51.0	.0	84.0	Dec 18	169.0
1939-40	390	31.0	.0	96.0	Jan 08	220.0
1940-41	7,323	188.0	.0	6,089.0	Feb 20	426.0
1941-42	78	11.0	.0	.0	Dec 10	73.0
1942-43	7,212	498.0	.0	6,399.0	Jan 23	1,700.0
1943-44	2,901	265.0	.0	1,970.0	Feb 22	371.0
1944-45	331	52.0	.0	101.0	Nov 11	204.0
1945-46	514	77.0	.0	265.0	Dec 23	284.0
1946-47	746	74.0	.0	507.0	Nov 13	286.0
1947-48	64	11.0	.0	5.0	Apr 28	90.0
1948-49	36	4.7	.0	1.2	Jan 20	10.0
1949-50	188	23.0	.0	61.0	Dec 18	88.0
1950-51	44	3.8	.0	7.5	Jan 11	80.0
1951-52	2,636	151.0	.0	2,020.0	Jan 16	495.0
1952-53	145	18.0	.0	.0	Dec 01	225.0
1953-54	533	56.0	.0	202.0	Jan 19	220.0
1954-55	146	14.0	.0	.0	Jan 18	91.0
1955-56	330	123.0	.0	151.0	Jan 26	422.0
1956-57	127	20.0	.0	9.2	Feb 23	138.0
1957-58	3,114	150.0	.0	2,248.0	Apr 01	443.0
1958-59	301	46.0	.0	152.0	Jan 06	702.0
1959-60	60	5.8	.0	.0	Jan 11	48.0
1960-61	61	10.0	.0	.0	Jan 26	39.0
1961-62	1,729	322.0	.0	1,299.0	Feb 11	737.0
1962-63	177	51.0	.0	19.0	Feb 09	198.0
1963-64	222	38.0	.0	33.0	Jan 22	246.0
1964-65	534	49.0	.0	328.0	Apr 09	220.0
1965-66	5,400	415.0	.0	4,267.0	Dec 29	1,520.0
1966-67	3,856	317.0	.0	1,907.0	Dec 06	595.0
1967-68	1,304	133.0	.0	404.0	Nov 19	331.0
1968-69	20,866	1,110	.0	18,644.0	Jan 25	2,540.0
1969-70	718	90.0	.0	527.0	Mar 05	878.0
1970-71	809	178.0	.0	581.0	Nov 29	457.0
1971-72	207	42.0	.0	+	Dec 27	107.0
1972-73	4,299	532.0	.0	2,844.0	Feb 11	587.0
1973-74	2,420	200.0	.0	1,607.0	Jan 07	309.0
1974-75	672	79.0	.0	418.0	Mar 06	81.0
1975-76	893	74.0	.0	424.0	Mar 01	175.0

N.D. Not determined

R.I. Records incomplete

+ Less than 0.05 Acre Feet or less than 0.05 CFS, but greater than 0

## RESERVOIRS – YEARLY RESERVOIR OPERATION SUMMARY

### Eaton Wash Dam

Season	Inflow Annual (AF)	Inflow		Outflow Annual (AF)	Peak Inflow	
		Max-Day (CFS)	Min-Day (CFS)		Date	Q (CFS)
1976-77	461	36.0	.0	281.0	Jan 03	191.0
1977-78	R.I.					N.D.
1978-79	R.I.					N.D.
1979-80	R.I.					N.D.
1980-81	578	45.0	.0	587.0	Mar 01	195.0
1981-82	1,676	121.0	.0	1,530.0	Mar 17	200.0
1982-83	19,050	732.0	.0	18,941.0	Mar 02	1,982.0
1983-84	1,918	61.0	.0	1,929.0	Dec 25	188.0
1984-85	701	23.0	.0	698.0	Dec 19	23.0
1985-86	1,937	56.0	.0	1,933.0	Jan 30	223.0
1986-87	N.D.	27.0	.0	N.D.	Jan 04	23.0
1987-88	848	55.0	.0	649.0	Feb 29	228.0
1988-89	322	26.0	.0	182.0	Dec 16	74.0
1989-90	233	40.0	.0	131.0	Feb 17	63.0
1990-91	1,602	127.0	.0	1,589.0	Mar 01	239.0
1991-92	5,693	295.0	.0	5,678.0	Feb 11	1,068.0
1992-93	14,662	340.0	.0	14,661.0	Jan 07	937.0
1993-94	1,100	26.0	.0	984.0	Feb 08	51.0
1994-95	7,500	225.0	.0	7,461.0	Jan 10	757.0
1995-96	1,891	158.0	.0	1,865.0	Feb 20	266.0
1996-97	R.I.					N.D.
1997-98	6,514	308.0	.0	6,514.0	Feb 23	1,418.0
1998-99						N.D.

N.D. Not determined

R.I. Records incomplete

+ Less than 0.05 Acre Feet or less than 0.05 CFS, but greater than 0

## RESERVOIRS – YEARLY RESERVOIR OPERATION SUMMARY

### Live Oak Dam

Season	Inflow Annual (AF)	Inflow		Outflow Annual (AF)	Peak Inflow	
		Max-Day (CFS)	Min-Day (CFS)		Date	Q (CFS)
1932-33	0	.0	.0	.0		.0
1933-34	N.D.	N.D.	N.D.	142.0		N.D.
1934-35	27	2.3	.0	27.0	Apr 08	16.0
1935-36	N.D.	4.1	.0	.0		N.D.
1936-37	494	35.0	.0	413.0	Feb 06	.0
1937-38	800	147.0	.0	785.0	Mar 02	339.0
1938-39	21	1.0	.0	3.2	Feb 03	1.4
1939-40	16	1.2	.0	1.4	Jan 08	11.0
1940-41	719	39.0	.0	718.0	Mar 04	90.0
1941-42	0	+	+	.0		+
1942-43	827	78.0	.0	827.0	Jan 22	170.0
1943-44	218	33.0	.0	218.0	Feb 22	74.0
1944-45	177	9.4	.0	177.0	Feb 02	67.0
1945-46	105	22.0	.0	89.0	Dec 23	127.0
1946-47	64	7.5	.0	45.0	Nov 20	25.0
1947-48	0	.0	.0	.0		N.D.
1948-49	0	.0	.0	.0		N.D.
1949-50	5	.3	.0	3.6	Dec 19	2.6
1950-51	0	.0	.0	.0		N.D.
1951-52	362	34.0	.0	343.0	Jan 16	148.0
1952-53	2	+	.0	3.2	Dec 01	.8
1953-54	78	13.0	.0	64.0	Jan 25	82.0
1954-55	0	+	.0	.3		N.D.
1955-56	77	25.0	.0	72.0	Jan 26	128.0
1956-57	2	.1	.0	.1	Jan 13	1.1
1957-58	699	38.0	.0	699.0	Apr 03	67.0
1958-59	6	.8	.0	5.4	Jan 06	9.2
1959-60	0	.0	.0	.0		N.D.
1960-61	5	.7	.0	.0	Nov 06	22.0
1961-62	186	29.0	.0	111.0	Nov 20	366.0
1962-63	13	5.8	.0	5.4	Feb 09	23.0
1963-64	5	.8	.0	.0	Mar 22	6.2
1964-65	20	6.8	.0	15.0	Apr 09	58.0
1965-66	243	23.0	.0	241.0	Nov 22	116.0
1966-67	699	112.0	+	672.0	Dec 06	360.0
1967-68	131	6.0	.0	130.0	Mar 08	39.0
1968-69	2,146	152.0	.0	2,115.0	Jan 25	403.0
1969-70	258	8.4	.0	258.0	Feb 28	14.0
1970-71	243	7.2	.0	243.0	Dec 21	16.0
1971-72	71	3.5	.0	71.0	Dec 24	5.0

N.D. Not determined

R.I. Records incomplete

+ Less than 0.05 Acre Feet or less than 0.05 CFS, but greater than 0

## RESERVOIRS – YEARLY RESERVOIR OPERATION SUMMARY

### Live Oak Dam

Season	Inflow Annual (AF)	Inflow		Outflow Annual (AF)	Peak Inflow	
		Max-Day (CFS)	Min-Day (CFS)		Date	Q (CFS)
1972-73	291	34.0	.0	290.0	Feb 11	52.0
1973-74	132	13.0	.0	132.0	Jan 07	31.0
1974-75	71	2.0	.0	61.0	Mar 06	14.0
1975-76	30	2.5	.0	24.0	Mar 01	7.2
1976-77	32	2.0	.0	33.0	Jan 03	13.0
1977-78	1,517	70.9	.0	1,517.0	Mar 04	187.0
1978-79	655	18.1	.0	655.0	Mar 27	43.4
1979-80	R.I.					N.D.
1980-81	240	3.0	.0	237.0	Mar 02	4.0
1981-82	421	19.0	.0	421.0	Mar 18	32.0
1982-83	1,778	72.0	.0	1,780.0	Mar 01	144.0
1983-84	447	12.0	.0	448.0	Dec 25	47.0
1984-85	162	3.6	.0	162.0	Dec 19	5.0
1985-86	192	4.4	.0	192.0	Feb 16	7.0
1986-87	37	.8	.0	37.0	Jan 04	10.0
1987-88	70	2.7	.0	69.0	Jan 17	4.0
1988-89	96	6.0	.0	93.0	Feb 04	11.0
1989-90	51	2.0	.0	51.0	Feb 17	3.0
1990-91	205	22.0	.0	204.0	Mar 01	44.0
1991-92	277	26.0	.0	277.0	Feb 12	112.0
1992-93	1,762	55.0	.0	1,759.0	Jan 07	68.0
1993-94	230	2.8	.0	235.0	Mar 19	17.0
1994-95	820	32.0	.0	820.0	Jan 10	86.0
1995-96	357	37.0	.0	357.0	Feb 20	75.0
1996-97	R.I.					N.D.
1997-98	828	50.0	.0	782.0	Feb 23	139.0
1998-99						N.D.

N.D. Not determined

R.I. Records incomplete

+ Less than 0.05 Acre Feet or less than 0.05 CFS, but greater than 0

## RESERVOIRS - YEARLY RESERVOIR OPERATION SUMMARY

### Morris Dam

Season	Inflow Annual (AF)	Inflow		Outflow Annual (AF)	Peak Inflow	
		Max-Day (CFS)	Min-Day (CFS)		Date	Q (CFS)
1937-38	339,303	18,590.0	.0	337,955.0	Mar 02	70,300.0
1938-39	62,367	890.0	.0	75,278.0	Dec 20	N.D.
1939-40	41,367	439.0	1.0	51,030.0	Mar 06	N.D.
1940-41	294,818	4,137.0	1.0	263,819.0	Feb 20	4,230.0
1941-42	21,562	419.0	.1	16,504.0	Nov 07	N.D.
1942-43	251,552	10,380.0	.0	247,717.0	Jan 23	12,660.0
1943-44	149,889	2,667.0	.0	147,194.0	May 25	5,840.0
1944-45	49,942	1,291.0	.0	47,340.0	Mar 26	3,590.0
1945-46	53,467	987.0	.0	62,578.0	Apr 04	4,880.0
1946-47	60,442	3,369.0	.0	55,718.0	Dec 28	9,300.0
1947-48	14,004	973.0	.0	17,392.0	Dec 12	2,380.0
1948-49	5,387	799.0	.0	3,777.0	Jun 02	N.D.
1949-50	1,901	70.0	.0	834.0	Dec 05	N.D.
1950-51	5,066	180.0	.0	3,446.0	Apr 21	N.D.
1951-52	76,910	3,188.0	.0	69,966.0	Jan 16	5,200.0
1952-53	47,762	1,003.0	.0	52,075.0	Nov 03	1,280.0
1953-54	30,334	1,574.0	.0	29,069.0	Apr 10	3,590.0
1954-55	1,593	299.0	.0	557.0	Apr 15	N.D.
1955-56	3,994	491.0	.0	816.0	Sep 19	N.D.
1956-57	9,962	659.0	.0	10,574.0	Apr 12	667.0
1957-58	216,335	2,418.0	.0	213,390.0	Apr 05	2,740.0
1958-59	10,152	378.0	.0	9,665.0	Feb 16	444.0
1959-60	2,688	359.0	.0	994.0	Jul 09	N.D.
1960-61	6,006	459.0	.0	889.0	May 16	N.D.
1961-62	74,783	1,847.0	.0	73,031.0	Feb 15	2,160.0
1962-63	1,708	99.0	.0	1,957.0	Feb 09	N.D.
1963-64	1,001	36.0	.0	922.0	Jan 21	N.D.
1964-65	10,093	1,426.0	.0	8,908.0	Jun 05	1,430.0
1965-66	200,376	9,263.0	.0	193,965.0	Dec 29	10,330.0
1966-67	203,232	3,872.0	.0	193,246.0	Dec 06	5,320.0
1967-68	35,015	567.0	.0	32,902.0	May 06	675.0
1968-69	554,905	19,290.0	12.0	554,687.0	Feb 25	29,690.0
1969-70	68,267	1,558.0	.0	66,131.0	Mar 01	1,800.0
1970-71	27,828	496.0	.0	31,319.0	Dec 29	497.0
1971-72	21,193	298.0	.0	15,445.0	Jan 05	302.0
1972-73	N.D.	840.0	.0	114,349.0	Feb 11	924.0
1973-74	27,471	1,054.0	.0	30,553.0	Jan 08	3,410.0
1974-75	9,838	313.0	.2	7,366.0	Nov 20	389.0
1975-76	2,270	47.0	.2	2,110.0	Sep 30	125.0
1976-77						N.D.

N.D. Not determined

R.I. Records incomplete

+ Less than 0.05 Acre Feet or less than 0.05 CFS, but greater than 0

## RESERVOIRS - YEARLY RESERVOIR OPERATION SUMMARY

### Morris Dam

Season	Inflow Annual (AF)	Inflow		Outflow Annual (AF)	Peak Inflow	
		Max-Day (CFS)	Min-Day (CFS)		Date	Q (CFS)
1977-78						N.D.
1978-79						N.D.
1979-80						N.D.
1980-81						N.D.
1981-82						N.D.
1982-83						N.D.
1983-84						N.D.
1984-85						N.D.
1985-86						N.D.
1986-87						N.D.
1987-88						N.D.
1988-89						N.D.
1989-90						N.D.
1990-91						N.D.
1991-92						N.D.
1992-93						N.D.
1993-94						N.D.
1994-95	207,136	3,858.0	1.3	201,716.0	Jan 10	3,131.0
1995-96	41,898	454.0	1.3	47,242.0	Feb 20	372.0
1996-97	38,827	313.0	1.5	38,822.0		N.D.
1997-98	213,739	7,805.0	.0	229,947.0	Feb 23	11,892.0
1998-99						N.D.

N.D. Not determined

R.I. Records incomplete

+ Less than 0.05 Acre Feet or less than 0.05 CFS, but greater than 0

## RESERVOIRS – YEARLY RESERVOIR OPERATION SUMMARY

### Pacoima Dam

Season	Inflow Annual (AF)	Inflow		Outflow Annual (AF)	Peak Inflow	
		Max-Day (CFS)	Min-Day (CFS)		Date	Q (CFS)
1929-30	1,110	N.D.	N.D.	965.0		N.D.
1930-31	1,082	N.D.	N.D.	886.0		N.D.
1931-32	8,741	N.D.	N.D.	8,443.0		N.D.
1932-33	2,160	101.0	.0	2,119.0		N.D.
1933-34	3,454	N.D.	N.D.	3,493.0	Jan 01	914.0
1934-35	5,569	84.0	.0	5,556.0		N.D.
1935-36	3,098	88.0	.0	3,094.0	Feb 12	248.0
1936-37	15,737	356.0	.0	14,210.0	Feb 14	508.0
1937-38	25,878	2,360.0	.0	26,796.0	Mar 02	8,320.0
1938-39	3,525	86.0	.0	3,080.0	Dec 19	145.0
1939-40	3,209	156.0	.0	3,133.0	Jan 08	928.0
1940-41	25,785	536.0	.0	25,942.0	Mar 04	815.0
1941-42	1,920	48.0	.1	2,032.0	Dec 29	85.0
1942-43	20,698	1,250.0	.1	20,407.0	Jan 23	2,650.0
1943-44	15,004	898.0	.4	15,167.0	Feb 22	1,790.0
1944-45	4,866	206.0	.4	4,911.0	Feb 02	494.0
1945-46	4,600	332.0	.0	2,904.0	Mar 30	564.0
1946-47	4,356	149.0	.0	6,029.0	Nov 20	282.0
1947-48	369	6.4	.1	335.0	Apr 29	12.0
1948-49	723	10.0	.1	740.0	Mar 05	17.0
1949-50	1,063	19.0	.1	1,019.0	Feb 06	26.0
1950-51	142	1.3	.0	69.0	Apr 29	2.4
1951-52	16,794	681.0	.0	4,325.0	Jan 16	1,290.0
1952-53	967	8.5	.0	3,500.0	Dec 01	32.0
1953-54	2,952	107.0	.1	2,941.0	Jan 25	272.0
1954-55	748	18.0	.1	737.0	Apr 30	25.0
1955-56	1,466	90.0	.0	1,252.0	Jan 27	179.0
1956-57	573	9.8	.0	773.0	Jan 13	14.0
1957-58	15,818	714.0	.0	15,808.0	Apr 03	1,180.0
1958-59	783	29.0	.0	708.0	Jan 06	184.0
1959-60	131	.9	.0	271.0	Jan 11	2.2
1960-61	59	6.3	.0	11.0	Nov 12	60.0
1961-62	6,326	584.0	.1	6,279.0	Feb 11	811.0
1962-63	384	8.1	.1	228.0	Feb 10	19.0
1963-64	529	8.3	.1	722.0	Jan 22	56.0
1964-65	1,313	70.0	.1	1,048.0	Apr 09	160.0
1965-66	15,553	647.0	.0	15,214.0	Nov 22	2,010.0
1966-67	23,605	698.0	.4	23,600.0	Dec 06	1,380.0
1967-68	3,843	76.0	.0	3,833.0	Nov 21	107.0
1968-69	43,398	2,860.0	.0	42,998.0	Feb 25	4,710.0

N.D. Not determined

R.I. Records incomplete

+ Less than 0.05 Acre Feet or less than 0.05 CFS, but greater than 0

## RESERVOIRS – YEARLY RESERVOIR OPERATION SUMMARY

### Pacoima Dam

Season	Inflow Annual (AF)	Inflow		Outflow Annual (AF)	Peak Inflow	
		Max-Day (CFS)	Min-Day (CFS)		Date	Q (CFS)
1969-70	2,717	99.0	.4	2,308.0	Mar 01	276.0
1970-71	4,806	118.0	.5	4,994.0	Nov 29	384.0
1971-72	1,062	36.0	.2	802.0	Dec 26	91.0
1972-73	7,726	696.0	.1	7,383.0	Feb 11	1,640.0
1973-74	4,197	168.0	.2	4,154.0	Jan 08	532.0
1974-75	2,279	48.0	.1	2,526.0	Mar 06	97.0
1975-76	1,622	58.0	.1	1,614.0	Feb 09	102.0
1976-77	1,424	43.0	.3	507.0	Jan 03	213.0
1977-78	R.I.					N.D.
1978-79	R.I.					N.D.
1978-80	R.I.					N.D.
1980-81	2,731	66.0	.0	3,440.0	Jan 29	167.0
1981-82	5,979	226.0	.3	4,867.0	Mar 17	590.0
1982-83	43,336	2,359.0	.5	44,566.0	Mar 01	4,671.0
1983-84	3,521	88.0	.2	1,386.0	Dec 25	153.0
1984-85	2,853	79.0	.0	3,651.0	Dec 20	104.0
1985-86	7,886	279.0	.0	7,015.0	Feb 15	161.0
1986-87	638	7.0	.0	224.0	Jan 04	9.0
1987-88	3,522	52.0	.1	3,441.0	Oct 23	93.0
1988-89	2,398	40.0	.0	2,065.0	Feb 04	72.0
1989-90	784	27.0	.0	817.0	Feb 17	59.0
1990-91	3,520	127.0	.0	3,222.0	Mar 27	140.0
1991-92	N.D.	5,212.0	.0	N.D.	Feb 10	1,180.0
1992-93	40,473	929.0	.1	39,814.0	Jan 13	1,186.0
1993-94	2,465	27.0	.0	3,354.0	Feb 08	46.0
1994-95	23,547	351.0	.0	23,710.0	Jan 10	1,073.0
1995-96	7,655	389.0	.0	7,710.0	Feb 21	532.0
1996-97	6,497	163.0	1.2	5,417.0		N.D.
1997-98	31,461	1,462.0	.1	31,467.0	Feb 23	3,292.0
1998-99						N.D.

N.D. Not determined

R.I. Records incomplete

+ Less than 0.05 Acre Feet or less than 0.05 CFS, but greater than 0



## RESERVOIRS – YEARLY RESERVOIR OPERATION SUMMARY

### Puddingstone Dam

Season	Inflow Annual (AF)	Inflow		Outflow Annual (AF)	Peak Inflow	
		Max-Day (CFS)	Min-Day (CFS)		Date	Q (CFS)
1928-29	114	12.0	.0	151.0		N.D.
1929-30	295	15.0	.0	223.0		N.D.
1930-31	73	9.0	.0	119.0		N.D.
1931-32	1,547	162.0	.0	1,086.0		N.D.
1932-33	314	30.0	.0	906.0		N.D.
1933-34	2,669	596.0	.0	1,809.0		N.D.
1934-35	610	N.D.	N.D.	846.0	Jan 15	205.0
1935-36	703	54.0	.0	969.0	Apr 10	590.0
1936-37	5,732	303.0	.0	2,173.0	Feb 06	1,480.0
1937-38	12,221	2,200.0	.0	7,544.0	Mar 02	5,310.0
1938-39	1,576	101.0	.0	5,305.0		N.D.
1939-40	646	54.0	.0	2,524.0	Jan 07	448.0
1940-41	12,030	377.0	.0	3,308.0	Mar 04	1,080.0
1941-42	475	30.0	.0	4,385.0	Dec 10	409.0
1942-43	10,043	1,130.0	.0	4,836.0	Jan 23	2,300.0
1943-44	3,408	525.0	.0	3,178.0	Feb 22	1,030.0
1944-45	1,615	139.0	.0	2,376.0	Nov 11	484.0
1945-46	1,591	275.0	.0	6,009.0	Dec 23	929.0
1946-47	1,414	96.0	.0	788.0	Nov 13	445.0
1947-48	324	31.0	.0	362.0	Dec 05	195.0
1948-49	336A	21.0	.0	201.0	Mar 13	240.0
1949-50	493	55.0	.0	140.0	Feb 06	178.0
1950-51	182	15.0	.0	145.0	Jan 29	162.0
1951-52	4,673	353.0	.0	1,857.0	Jan 16	952.0
1952-53	928	32.0	.0	1,140.0	Dec 01	358.0
1953-54	31282A	244.0	.0	31,609.0	Jan 25	600.0
1954-55	26065A	255.0	.0	23,287.0	Nov 11	338.0
1955-56	57309A	458.0	.0	50,771.0	Jan 26	1,360.0
1956-57	50583A	216.0	.0	53,781.0	Jan 13	262.0
1957-58	6,670	302.0	.0	1,976.0	Apr 03	690.0
1958-59	394	68.0	.0	72.0	Jan 06	871.0
1959-60	837	80.0	.0	40.0	Jan 12	148.0
1960-61	10900A	198.0	.0	9,416.0	Nov 06	179.0
1961-62	4,463	173.0	.0	33.0	Dec 02	963.0
1962-63	927	139.0	.0	464.0	Feb 10	325.0
1963-64	594	43.0	.0	.0	Jan 22	242.0
1964-65	2,675	153.0	.0	7,401.0	Apr 09	1,770.0
1965-66	10,456	444.0	.0	3,066.0	Nov 22	1,590.0
1966-67	11,508	1,090.0	.0	9,988.0	Dec 06	2,440.0
1967-68	15,811	174.0	.0	14,275.0	Mar 08	760.0

N.D. Not determined

R.I. Records incomplete

+ Less than 0.05 Acre Feet or less than 0.05 CFS, but greater than 0

## RESERVOIRS – YEARLY RESERVOIR OPERATION SUMMARY

### Puddingstone Dam

Season	Inflow Annual (AF)	Inflow		Outflow Annual (AF)	Peak Inflow	
		Max-Day (CFS)	Min-Day (CFS)		Date	Q (CFS)
1968-69	36,802	2,830.0	.0	35,754.0	Jan 25	4,340.0
1969-70	1,650	163.0	.2	+	Mar 01	507.0
1970-71	1,494	149.0	.1	4,094.0	Dec 18	365.0
1971-72	1,007	186.0	+	+	Dec 24	538.0
1972-73	4,038	341.0	.1	+	Feb 11	604.0
1973-74	2,409	1,070.0	.1	1,069.0	Jan 07	660.0
1974-75	1,832	153.0	.0	1,832.0	Dec 04	769.0
1975-76	2,644	180.0	.1	.0	Sep 10	493.0
1976-77	2,655	138.0	.1	197.0	Jan 03	812.0
1977-78	R.I.					N.D.
1978-79	R.I.					N.D.
1979-80	R.I.					N.D.
1980-81	2,115	154.0	.0	515.0	Jan 29	1,132.0
1981-82	4,731	350.0	.0	2,598.0	Mar 18	810.0
1982-83	15,956	764.0	.0	15,238.0	Mar 01	2,570.0
1983-84	2,791	192.0	.0	2,048.0	Dec 25	1,159.0
1984-85	2,688	143.0	.0	873.0	Dec 18	236.0
1985-86	4,888	241.0	.0	3,150.0	Mar 16	1,058.0
1986-87	1,989	291.0	.0	1,118.0	Jan 04	854.0
1987-88	4,010	143.0	.0	2,373.0	Jan 17	422.0
1988-89	3,539	117.0	.0	2,045.0	Feb 04	211.0
1989-90	2,545	235.0	.0	977.0	Feb 17	683.0
1990-91	4,461	371.0	.0	2,932.0	Mar 01	1,270.0
1991-92	6,781	407.0	.0	5,333.0	Feb 12	959.0
1992-93	30,324	909.0	.0	28,674.0	Jan 18	1,992.0
1993-94	2,884	78.0	.1	1,322.0	Feb 07	212.0
1994-95	11,261	537.0	.1	9,927.0	Jan 10	1,411.0
1995-96	4,587	438.0	.0	3,275.0	Feb 20	1,460.0
1996-97	5,421	200.0	.0	4,382.0		N.D.
1997-98	15,722	626.0	.1	13,941.0	Feb 23	1,660.0
1998-99						N.D.

N.D. Not determined

R.I. Records incomplete

+ Less than 0.05 Acre Feet or less than 0.05 CFS, but greater than 0

## RESERVOIRS - YEARLY RESERVOIR OPERATION SUMMARY

### Puddingstone Diversion

Season	Inflow Annual (AF)	Inflow		Outflow Annual (AF)	Peak Inflow	
		Max-Day (CFS)	Min-Day (CFS)		Date	Q (CFS)
1935-36	304	48.0	.0	304.0	Apr 10	85.0
1936-37	5,019	104.0	.0	4,646.0		N.D.
1937-38	11,697	1,640.0	.0	11,506.0	Mar 02	5,760.0
1938-39	1,288	28.0	.0	1,293.0	Jan 10	23.0
1939-40	350	26.0	.0	155.0	Jan 08	33.0
1940-41	7,213	133.0	.0	6,776.0	Mar 14	155.0
1941-42	341	13.0	.0	203.0	Dec 12	24.0
1942-43	8,593	970.0	.0	7,939.0	Jan 23	2,040.0
1943-44	3,406	357.0	.0	3,010.0	Feb 22	724.0
1944-45	1,719	64.0	.0	1,294.0	Feb 02	88.0
1945-46	970	159.0	.0	773.0	Dec 23	234.0
1946-47	1,400	55.0	.0	1,109.0	Dec 26	58.0
1947-48	0	.0	.0	.0		N.D.
1948-49	0	.0	.0	.0		N.D.
1949-50	0	.0	.0	.0		N.D.
1950-51	0	.0	.0	.0		N.D.
1951-52	3,366	158.0	.0	2,910.0	Jan 16	201.0
1952-53	0	.0	.0	.0		N.D.
1953-54	628	57.0	.0	429.0	Feb 14	82.0
1954-55	0	.0	.0	.0		N.D.
1955-56	196	34.0	.0	128.0	Jan 26	93.0
1956-57	0	.0	.0	.0		N.D.
1957-58	5,938	227.0	.0	5,172.0	Apr 03	284.0
1958-59	89	14.0	.0	49.0	Feb 18	18.0
1959-60	0	.0	.0	.0		N.D.
1960-61	146	11.0	.0	64.0	Nov 26	137.0
1961-62	3,277	152.0	.0	3,106.0	Nov 20	2,110.0
1962-63	827	95.0	.0	515.0	Feb 09	640.0
1963-64	112	19.0	.0	67.0	Jan 22	55.0
1964-65	873	69.0	.0	538.0	Apr 09	239.0
1965-66	6,471	320.0	.0	5,864.0	Nov 22	864.0
1966-67	13,656	958.0	.0	12,140.0	Dec 06	2,230.0
1967-68	2,744	62.0	.0	2,180.0	Nov 30	125.0
1968-69	35,110	2,610.0	.0	34,200.0	Jan 25	5,600.0
1969-70	4,005	27.0	.0	2,788.0	Mar 04	62.0
1970-71	2,181	35.0	.0	1,524.0	Dec 21	61.0
1971-72	764	15.0	.0	488.0	Dec 24	56.0
1972-73	3,746	163.0	.0	3,321.0	Feb 11	219.0
1973-74	1,660	75.0	.0	1,371.0	Jan 07	110.0
1974-75	969	15.0	.0	786.0	Mar 06	46.0

N.D. Not determined

R.I. Records incomplete

+ Less than 0.05 Acre Feet or less than 0.05 CFS, but greater than 0

## RESERVOIRS - YEARLY RESERVOIR OPERATION SUMMARY

### Puddingstone Diversion

Season	Inflow Annual (AF)	Inflow		Outflow Annual (AF)	Peak Inflow	
		Max-Day (CFS)	Min-Day (CFS)		Date	Q (CFS)
1975-76	423	9.1	.0	333.0	Mar 01	16.0
1976-77	844	29.0	.0	578.0	Jan 03	57.0
1977-78	R.I.					N.D.
1978-79	R.I.					N.D.
1979-80	R.I.					N.D.
1980-81	2,025	21.0	.0	1,877.0	Jan 29	44.0
1981-82	2,856	122.0	.0	2,831.0	Mar 18	260.0
1982-83	18,257	705.0	.0	18,272.0	Mar 01	1,867.0
1983-84	3,267	54.0	.0	3,259.0	Dec 25	84.0
1984-85	1,353	37.0	.0	1,294.0	Dec 18	40.0
1985-86	1,324	99.0	.0	1,201.0	Mar 16	104.0
1986-87	686	18.0	.0	702.0	Jan 04	49.0
1987-88	927	38.0	.0	823.0	Jan 17	214.0
1988-89	1,060	76.0	.0	927.0	Feb 04	111.0
1989-90	228	48.0	.0	193.0	Feb 17	78.0
1990-91	2,079	54.0	.0	2,024.0	Feb 28	195.0
1991-92	3,289	163.0	.0	3,277.0	Feb 12	264.0
1992-93	25,714	698.0	.0	25,686.0	Jan 18	757.0
1993-94	1,475	14.0	.0	1,488.0	Feb 07	23.0
1994-95	11,349	211.0	.0	11,349.0	Jan 10	252.0
1995-96	3,045	71.0	.0	3,044.0	Feb 20	161.0
1996-97	2,468	84.0	.0	2,440.0		N.D.
1997-98	13,037	514.0	.0	12,996.0	Feb 24	652.0
1998-99						N.D.

N.D. Not determined

R.I. Records incomplete

+ Less than 0.05 Acre Feet or less than 0.05 CFS, but greater than 0

## RESERVOIRS - YEARLY RESERVOIR OPERATION SUMMARY

### San Dimas Dam

Season	Inflow Annual (AF)	Inflow		Outflow Annual (AF)	Peak Inflow	
		Max-Day (CFS)	Min-Day (CFS)		Date	Q (CFS)
1928-29	N.D.	N.D.	.0	N.D.		N.D.
1929-30	591	28.0	.0	573.0		N.D.
1930-31	585	23.0	.0	466.0		N.D.
1931-32	2,502	162.0	.0	2,496.0		N.D.
1932-33	652	50.0	.0	648.0		N.D.
1933-34	1,351	229.0	.0	1,357.0	Jan 01	422.0
1934-35	1,753	60.0	.0	1,682.0	Apr 08	145.0
1935-36	1,094	35.0	.0	1,136.0	Feb 11	155.0
1936-37	6,316	154.0	.0	6,126.0	Feb 06	296.0
1937-38	12,492	1,600.0	.4	12,494.0	Mar 02	4,920.0
1938-39	2,165	43.0	.2	2,024.0	Jan 05	80.0
1939-40	1,532	60.0	.0	1,600.0	Jan 08	302.0
1940-41	9,645	131.0	.1	9,240.0	Mar 04	235.0
1941-42	1,603	16.0	.2	1,855.0	Dec 10	29.0
1942-43	9,271	573.0	.5	9,095.0	Jan 23	1,700.0
1943-44	5,348	398.0	.1	5,423.0	Feb 22	785.0
1944-45	3,747	97.0	.9	3,811.0	Nov 11	375.0
1945-46	2,560	149.0	.1	2,368.0	Dec 23	519.0
1946-47	2,705	100.0	.1	2,982.0	Nov 20	340.0
1947-48	720	10.0	.0	706.0	Feb 05	15.0
1948-49	728	11.0	.1	694.0	Jan 20	19.0
1949-50	734	25.0	.1	750.0	Dec 18	65.0
1950-51	300	5.3	.1	301.0	Apr 29	16.0
1951-52	4,864	208.0	.1	4,593.0	Jan 16	453.0
1952-53	822	9.8	.1	1,092.0	Dec 01	25.0
1953-54	1,514	97.0	.1	1,501.0	Jan 25	327.0
1954-55	561	11.0	.1	526.0	Jan 18	27.0
1955-56	736	98.0	.1	767.0	Jan 26	362.0
1956-57	452	12.0	.1	433.0	Jan 13	41.0
1957-58	6,786	299.0	.0	6,503.0	Apr 03	753.0
1958-59	931	37.0	.1	1,239.0	Feb 16	189.0
1959-60	408	6.7	.1	455.0	Feb 08	11.0
1960-61	468	31.0	.1	250.0	Nov 05	397.0
1961-62	3,206	224.0	+	2,664.0	Nov 20	2,520.0
1962-63	1,001	81.0	.1	1,108.0	Feb 09	440.0
1963-64	680	20.0	.1	711.0	Jan 22	121.0
1964-65	1,118	53.0	.0	1,175.0	Apr 09	232.0
1965-66	6,494	305.0	.2	6,326.0	Dec 29	1,010.0
1966-67	12,352	674.0	.0	11,598.0	Dec 06	1,720.0
1967-68	3,148	80.0	.1	3,058.0	Nov 19	414.0

N.D. Not determined

R.I. Records incomplete

+ Less than 0.05 Acre Feet or less than 0.05 CFS, but greater than 0

## RESERVOIRS - YEARLY RESERVOIR OPERATION SUMMARY

### San Dimas Dam

Season	Inflow Annual (AF)	Inflow		Outflow Annual (AF)	Peak Inflow	
		Max-Day (CFS)	Min-Day (CFS)		Date	Q (CFS)
1968-69	28,645	1,710.0	.7	28,808.0	Jan 25	3,620.0
1969-70	4,314	71.0	.7	4,736.0	Mar 01	114.0
1970-71	2,465	70.0	.5	2,125.0	Nov 29	127.0
1971-72	1,040	33.0	.2	1,217.0	Dec 24	77.0
1972-73	4,252	346.0	.7	4,000.0	Feb 11	685.0
1973-74	2,447	121.0	.3	2,389.0	Jan 07	185.0
1974-75	1,487	28.0	.1	1,566.0	Mar 06	67.0
1975-76	1,002	52.0	.1	926.0	Sep 10	443.0
1976-77	1,094	41.0	.0	1,146.0	Jan 03	260.0
1977-78	R.I.					
1978-79	R.I.					
1979-80	19,951	673.0	2.3	18,715.0	Feb 16	2,549.0
1980-81	3,016	37.0	.8	3,216.0	Jan 29	147.0
1981-82	3,848	161.0	.2	3,700.0	Mar 17	295.0
1982-83	17,632	527.0	.0	17,381.0	Mar 01	1,559.0
1983-84	3,816	55.0	.0	4,330.0	Dec 25	115.0
1984-85	2,554	45.0	.6	2,560.0	Dec 19	67.0
1985-86	2,401	55.0	.0	2,415.0	Mar 16	89.0
1986-87	N.D.	10.0	.1	N.D.	Jan 05	13.0
1987-88	1,821	54.0	.0	1,216.0	Jan 17	157.0
1988-89	1,122	35.0	.0	1,225.0	Feb 04	96.0
1989-90	731	28.0	.0	462.0	Feb 17	93.0
1990-91	1,967	112.0	.0	2,361.0	Mar 27	236.0
1991-92	4,037	143.0	.0	3,938.0	Feb 12	403.0
1992-93	24,941	651.0	.0	24,446.0	Jan 14	945.0
1993-94	2,295	17.0	.2	2,424.0	Feb 07	31.0
1994-95	10,102	177.0	.8	9,801.0	Jan 10	363.0
1995-96	4,036	149.0	.2	4,097.0	Feb 20	418.0
1996-97	13,175	81.0	.0	2,988.0		N.D.
1997-98	12,122	396.0	.3	11,948.0	Feb 23	1,194.0
1998-99						N.D.

N.D. Not determined

R.I. Records incomplete

+ Less than 0.05 Acre Feet or less than 0.05 CFS, but greater than 0

## RESERVOIRS – YEARLY RESERVOIR OPERATION SUMMARY

### San Gabriel Dam

Season	Inflow Annual (AF)	Inflow		Outflow Annual (AF)	Peak Inflow	
		Max-Day (CFS)	Min-Day (CFS)		Date	Q (CFS)
1937-38	339,155	30,720.0	37.0	332,893.0	Mar 02	89,320.0
1938-39	67,231	1,330.0	23.0	61,655.0	Dec 19	2,780.0
1939-40	58,554	757.0	18.0	63,386.0	Jan 08	2,270.0
1940-41	306,801	3,940.0	20.0	305,515.0	Feb 20	5,780.0
1941-42	50,285	297.0	20.0	49,759.0	Dec 29	468.0
1942-43	271,286	17,180.0	20.0	267,085.0	Jan 23	46,000.0
1943-44	184,923	5,710.0	43.0	184,622.0	Feb 22	9,860.0
1944-45	91,961	1,300.0	28.0	90,131.0	Nov 11	6,440.0
1945-46	99,531	2,980.0	28.0	89,502.0	Dec 21	5,760.0
1946-47	107,688	3,340.0	18.0	104,088.0	Dec 26	6,520.0
1947-48	29,259	257.0	9.9	37,794.0	Apr 29	506.0
1948-49	24,728	94.0	11.0	21,546.0	Jan 20	120.0
1949-50	27,797	266.0	9.5	27,736.0	Dec 19	448.0
1950-51	10,169	54.0	3.0	13,002.0	Jan 11	174.0
1951-52	159,048	3,340.0	3.9	118,918.0	Jan 16	6,130.0
1952-53	41,270	375.0	7.5	77,961.0	Dec 01	544.0
1953-54	60,515	1,280.0	8.3	56,517.0	Jan 25	2,940.0
1954-55	39,159	171.0	18.0	37,304.0	Apr 30	313.0
1955-56	35,215	950.0	14.0	38,127.0	Jan 26	2,250.0
1956-57	37,210	1,090.0	15.0	35,069.0	Jan 13	2,850.0
1957-58	230,745	4,270.0	21.0	229,610.0	Apr 03	6,900.0
1958-59	43,762	1,030.0	14.0	43,100.0	Jan 06	3,080.0
1959-60	19,474	112.0	5.0	19,258.0	Apr 28	168.0
1960-61	12,041	122.0	2.2	12,698.0	Nov 05	634.0
1961-62	116,890	6,350.0	3.4	112,380.0	Feb 11	13,960.0
1962-63	25,930	512.0	6.2	24,587.0	Feb 09	2,440.0
1963-64	24,009	287.0	5.2	22,601.0	Apr 01	504.0
1964-65	36,281	396.0	5.5	34,427.0	Apr 09	1,070.0
1965-66	220,689	9,030.0	12.0	217,503.0	Dec 29	27,180.0
1966-67	224,903	6,700.0	30.0	224,538.0	Dec 06	12,420.0
1967-68	66,761	697.0	26.0	68,771.0	Nov 19	1,620.0
1968-69	527,883	28,020.0	24.0	524,874.0	Jan 25	44,400.0
1969-70	66,842	1,250.0	26.0	66,688.0	Feb 28	2,550.0
1970-71	60,375	2,120.0	29.0	55,358.0	Nov 29	6,400.0
1971-72	34,908	975.0	14.0	38,192.0	Dec 25	1,390.0
1972-73	124,722	5,075.0	14.1	124,333.0	Feb 11	17,430.0
1973-74	72,959	1,140.0	32.0	67,194.0	Jan 07	1,820.0
1974-75	47,681	423.0	27.0	46,194.0	Mar 06	880.0
1975-76	38,598	978.0	18.0	33,781.0	Sep 11	1,630.0
1976-77	36,322	407.0	15.0	34,846.0	Jan 03	1,137.0

N.D. Not determined

R.I. Records incomplete

+ Less than 0.05 Acre Feet or less than 0.05 CFS, but greater than 0

## RESERVOIRS – YEARLY RESERVOIR OPERATION SUMMARY

### San Gabriel Dam

Season	Inflow Annual (AF)	Inflow		Outflow Annual (AF)	Peak Inflow	
		Max-Day (CFS)	Min-Day (CFS)		Date	Q (CFS)
1977-78	486,296	13,437.0	14.9	483,712.0	Mar 04	31,730.0
1978-79	158,043	1,647.0	42.9	163,511.0	Mar 28	1,965.0
1979-80	346,155	11,476.0	42.5	344,454.0	Feb 16	24,540.0
1980-81	42,882	281.0	15.0	40,116.0	Jan 29	784.0
1981-82	95,225	1,591.0	19.0	79,833.0	Mar 17	2,869.0
1982-83	404,332	14,585.0	33.0	402,734.0	Mar 01	17,080.0
1983-84	61,069	983.0	13.0	75,284.0	Dec 25	1,568.0
1984-85	46,633	617.0	8.5	46,101.0	Dec 19	742.0
1985-86	103,558	1,252.0	14.0	100,926.0	Jan 30	1,911.0
1986-87	22,847	149.0	3.0	22,919.0	Jan 05	259.0
1987-88	66,101	574.0	3.8	49,337.0	Feb 29	814.0
1988-89	33,435	273.0	4.0	47,683.0	Dec 16	496.0
1989-90	18,979	248.0	2.3	17,008.0	Feb 18	388.0
1990-91	61,479	1,575.0	3.3	39,454.0	Mar 01	4,294.0
1991-92	171,617	5,796.0	.0	193,158.0	Feb 12	11,426.0
1992-93	445,072	10,181.0	.0	429,615.0	Feb 19	12,934.0
1993-94	44,269	312.0	.6	50,441.0	Feb 08	433.0
1994-95	248,268	3,811.0	12.8	242,886.0	Jan 10	6,996.0
1995-96	72,722	2,995.0	2.0	70,533.0	Feb 21	3,822.0
1996-97	66,304	947.0	5.2	64,946.0		N.D.
1997-98	275,500	9,169.0	8.2	237,419.0	Feb 23	22,512.0
1998-99						N.D.

N.D. Not determined

R.I. Records incomplete

+ Less than 0.05 Acre Feet or less than 0.05 CFS, but greater than 0



## RESERVOIRS - YEARLY RESERVOIR OPERATION SUMMARY

### Santa Anita Dam

Season	Inflow Annual (AF)	Inflow		Outflow Annual (AF)	Peak Inflow	
		Max-Day (CFS)	Min-Day (CFS)		Date	Q (CFS)
1926-27	1,208	13.0	.4	1,030.0		N.D.
1927-28	1,009	22.0	.1	1,162.0		N.D.
1928-29	1,214	30.0	.0	1,256.0		N.D.
1929-30	1,276	25.0	.1	964.0		N.D.
1930-31	989	34.0	.0	1,155.0		N.D.
1931-32	4,010	236.0	.1	3,883.0		N.D.
1932-33	2,190	152.0	.0	2,022.0	Jan 19	390.0
1933-34	2,603	322.0	.0	2,622.0	Jan 01	800.0
1934-35	3,693	92.0	.1	3,585.0	Apr 08	449.0
1935-36	2,480	84.0	.0	2,535.0	Feb 12	228.0
1936-37	8,798	192.0	.0	8,616.0	Feb 06	313.0
1937-38	16,594	1,780.0	1.3	16,689.0	Mar 02	5,140.0
1938-39	2,726	74.0	.4	2,461.0	Dec 19	159.0
1939-40	2,743	62.0	.4	2,664.0	Jan 08	378.0
1940-41	15,225	239.0	.4	15,235.0	Mar 04	300.0
1941-42	2,070	25.0	.6	2,140.0	Dec 29	53.0
1942-43	19,371	1,110.0	.6	19,440.0	Jan 23	3,100.0
1943-44	7,463	514.0	1.3	7,294.0	Feb 22	813.0
1944-45	4,147	101.0	1.1	4,133.0	Nov 11	303.0
1945-46	3,426	164.0	.8	3,360.0	Dec 23	492.0
1946-47	4,489	122.0	.7	4,462.0	Nov 20	382.0
1947-48	1,075	14.0	.3	1,243.0	Apr 28	41.0
1948-49	1,031	17.0	.2	983.0	Jan 20	32.0
1949-50	1,357	30.0	.2	1,311.0	Dec 18	115.0
1950-51	460	4.5	.1	497.0	Jan 11	10.0
1951-52	8,408	351.0	.1	8,292.0	Jan 16	837.0
1952-53	1,562	20.0	.5	1,729.0	Dec 01	153.0
1953-54	3,302	201.0	.4	3,412.0	Jan 24	1,240.0
1954-55	1,432	18.0	.3	1,437.0	Nov 11	173.0
1955-56	2,218	175.0	.3	2,196.0	Jan 26	569.0
1956-57	1,535	36.0	.5	1,431.0	Feb 23	122.0
1957-58	11,696	298.0	.7	11,715.0	Apr 03	618.0
1958-59	2,183	66.0	.6	2,033.0	Jan 06	622.0
1959-60	954	6.5	.1	1,152.0	Feb 01	16.0
1960-61	527	12.0	.1	407.0	Jan 26	65.0
1961-62	6,328	682.0	.1	6,242.0	Feb 11	1,460.0
1962-63	1,628	56.0	.7	1,848.0	Feb 09	368.0
1963-64	1,219	32.0	+	1,144.0	Apr 01	53.0
1964-65	2,039	50.0	.0	1,988.0	Apr 09	130.0
1965-66	13,102	600.0	.4	12,933.0	Dec 29	1,920.0

N.D. Not determined

R.I. Records incomplete

+ Less than 0.05 Acre Feet or less than 0.05 CFS, but greater than 0

## RESERVOIRS - YEARLY RESERVOIR OPERATION SUMMARY

### Santa Anita Dam

Season	Inflow Annual (AF)	Inflow		Outflow Annual (AF)	Peak Inflow	
		Max-Day (CFS)	Min-Day (CFS)		Date	Q (CFS)
1966-67	16,245	645.0	1.5	16,261.0	Dec 06	1,520.0
1967-68	3,376	56.0	.1	3,579.0	Nov 19	165.0
1968-69	38,734	2,292.0	.3	38,369.0	Jan 25	5,500.0
1969-70	2,859	85.0	1.0	2,859.0	Feb 28	208.0
1970-71	3,211	184.0	1.0	3,075.0	Nov 29	674.0
1971-72	1,316	36.0	.5	1,249.0	Dec 24	99.0
1972-73	6,414	482.0	.4	6,258.0	Feb 11	1,350.0
1973-74	4,660	174.0	1.2	4,546.0	Jan 07	280.0
1974-75	2,347	36.0	.1	2,647.0	Mar 06	54.0
1975-76	1,580	52.0	.2	1,469.0	Mar 01	101.0
1976-77	1,320	35.0	1.0	1,206.0	Jan 03	200.0
1977-78	R.I.					
1978-79	R.I.					
1979-80	R.I.					
1980-81	2,221	27.0	.6	2,210.0	Jan 29	147.0
1981-82	3,714	127.0	.6	3,652.0	Mar 17	213.0
1982-83	21,246	882.0	.0	21,325.0	Mar 02	1,197.0
1983-84	3,603	57.0	.3	3,586.0	Dec 25	142.0
1984-85	2,363	48.0	.0	2,272.0	Dec 19	102.0
1985-86	4,735	77.0	.4	4,612.0	Jan 30	89.0
1986-87	1,041	7.6	.0	1,174.0	Jan 05	11.0
1987-88	2,490	37.0	.1	2,488.0	Jan 17	87.0
1988-89	1,729	52.0	.0	1,599.0	Feb 04	119.0
1989-90	737	30.0	.0	740.0	Feb 17	117.0
1990-91	2,393	92.0	.0	2,323.0	Mar 01	417.0
1991-92	9,339	390.0	.2	9,292.0	Feb 11	863.0
1992-93	23,546	558.0	.2	23,581.0	Jan 07	909.0
1993-94	1,475	15.0	.0	1,565.0	Mar 24	19.0
1994-95	12,439	242.0	.1	12,281.0	Jan 10	587.0
1995-96	4,494	274.0	.1	4,535.0	Feb 21	481.0
1996-97	4,970	93.0	.1	4,934.0		N.D.
1997-98	13,694	787.0	.0	13,655.0	Feb 23	2,449.0
1998-99						N.D.

N.D. Not determined

R.I. Records incomplete

+ Less than 0.05 Acre Feet or less than 0.05 CFS, but greater than 0

## RESERVOIRS - YEARLY RESERVOIR OPERATION SUMMARY

### Sawpit Dam

Season	Inflow Annual (AF)	Inflow		Outflow Annual (AF)	Peak Inflow	
		Max-Day (CFS)	Min-Day (CFS)		Date	Q (CFS)
1927-28	26	N.D.	.0	39.0		N.D.
1928-29	96	5.3	.0	108.0		N.D.
1929-30	219	7.9	.0	208.0		N.D.
1930-31	97	3.9	.0	68.0		N.D.
1931-32	710	56.0	.0	726.0	Feb 09	76.0
1932-33	184	8.6	.0	185.0		N.D.
1933-34	468	106.0	.0	457.0	Jan 01	240.0
1934-35	548	36.0	.0	540.0	Apr 08	168.0
1935-36	574	22.0	.0	574.0	Feb 11	72.0
1936-37	1,434	36.0	.0	1,401.0		N.D.
1937-38	2,909	384.0	.0	2,868.0	Mar 02	1,070.0
1938-39	232	17.0	.0	170.0		N.D.
1939-40	264	11.0	.0	308.0	Jan 08	39.0
1940-41	2,180	63.0	.0	2,195.0	Mar 04	109.0
1941-42	107	3.7	.0	39.0	Dec 29	4.8
1942-43	2,966	162.0	.0	2,950.0	Jan 23	520.0
1943-44	747	73.0	.0	743.0	Feb 22	138.0
1944-45	316	16.0	.0	319.0	Nov 11	59.0
1945-46	254	24.0	.0	250.0	Dec 23	85.0
1946-47	362	23.0	.0	361.0	Nov 20	77.0
1947-48	23	.3	.0	5.1	Apr 28	2.9
1948-49	42	.4	.0	32.0	Mar 10	.9
1949-50	86	21.0	.0	77.0	Dec 18	7.9
1950-51	32	.8	.0	32.0	Jan 11	2.4
1951-52	1,112	60.0	.0	1,092.0	Jan 16	226.0
1952-53	88	3.2	.0	82.0	Dec 01	34.0
1953-54	274	14.0	.0	263.0	Jan 24	105.0
1954-55	142	4.3	.0	139.0	Nov 11	73.0
1955-56	204	37.0	+	210.0	Jan 26	48.0
1956-57	80	.8	.0	65.0	Feb 23	8.1
1957-58	1,371	46.0	.0	1,368.0	Apr 03	112.0
1958-59	815	36.0	.1	804.0	Jan 06	1,600.0
1959-60	201	4.8	+	163.0	Apr 27	70.0
1960-61	111	1.7	.0	144.0	Nov 05	12.0
1961-62	1,269	122.0	.1	1,236.0	Feb 11	282.0
1962-63	256	12.0	.1	256.0	Feb 09	77.0
1963-64	271	3.7	.0	294.0	Jan 21	10.0
1964-65	405	9.7	.1	355.0	Apr 09	27.0
1965-66	2,224	87.0	.0	2,218.0	Dec 29	423.0
1966-67	3,985	157.0	1.1	3,980.0	Dec 06	307.0

N.D. Not determined

R.I. Records incomplete

+ Less than 0.05 Acre Feet or less than 0.05 CFS, but greater than 0

## RESERVOIRS - YEARLY RESERVOIR OPERATION SUMMARY

### Sawpit Dam

Season	Inflow Annual (AF)	Inflow		Outflow Annual (AF)	Peak Inflow	
		Max-Day (CFS)	Min-Day (CFS)		Date	Q (CFS)
1967-68	1,510	12.0	.8	1,510.0	Nov 19	32.0
1968-69	7,555	635.0	.9	9,498.0	Jan 25	1,060.0
1969-70	1,496	36.0	.5	1,407.0	Feb 28	187.0
1970-71	733	21.0	.4	733.0	Nov 29	70.0
1971-72	521	5.6	.3	521.0	Dec 24	16.0
1972-73	1,449	94.0	.3	1,538.0	Feb 11	350.0
1973-74	1,350	57.0	.1	1,270.0	Jan 07	109.0
1974-75	921	5.9	.5	921.0	Mar 06	15.0
1975-76	646	6.4	.1	646.0	Mar 01	22.0
1976-77	603	7.2	1.0	603.0	Oct 22	74.0
1977-78	4,642	116.1	1.2	4,716.0	Feb 10	250.0
1978-79	2,139	10.0	1.3	2,070.0	Mar 27	19.4
1979-80	5,285	131.2	1.2	5,296.0	Feb 16	404.0
1980-81	1,045	7.2	.4	1,045.0	Jan 29	30.0
1981-82	1,244	39.0	.0	1,307.0	Mar 17	48.0
1982-83	4,587	142.0	.0	4,490.0	Mar 02	300.0
1983-84	1,268	9.3	.0	1,268.0	Dec 25	26.0
1984-85	929	6.7	.5	928.0	Dec 19	25.0
1985-86	1,204	10.0	.0	1,203.0	Mar 16	16.0
1986-87	N.D.	4.2	.0	N.D.	Jan 06	1.5
1987-88	975	7.3	.0	975.0	Mar 01	5.0
1988-89	751	6.7	.0	751.0	Dec 16	11.0
1989-90	534	6.3	.0	527.0	Feb 17	16.0
1990-91	1,113	34.0	.0	1,113.0	Mar 01	77.0
1991-92	1,910	41.0	.4	1,910.0	Feb 12	123.0
1992-93	5,564	67.0	.4	5,563.0	Jan 07	202.0
1993-94	1,555	4.1	.5	1,555.0	Feb 08	6.8
1994-95	35,373	77.0	.5	3,572.0	Jan 10	136.0
1995-96	2,381	38.0	1.4	2,382.0	Feb 21	49.0
1996-97	1,952	11.0	1.5	1,952.0		N.D.
1997-98	3,045	137.0	1.7	3,045.0	Feb 23	332.0
1998-99						N.D.

N.D. Not determined

R.I. Records incomplete

+ Less than 0.05 Acre Feet or less than 0.05 CFS, but greater than 0

## RESERVOIRS – YEARLY RESERVOIR OPERATION SUMMARY

### Thompson Creek Dam

Season	Inflow Annual (AF)	Inflow		Outflow Annual (AF)	Peak Inflow	
		Max-Day (CFS)	Min-Day (CFS)		Date	Q (CFS)
1931-32	81	12.0	.0	81.0	Feb 09	91.0
1932-33	0	.0	.0	.0		N.D.
1933-34	N.D.	N.D.	N.D.	.0		N.D.
1934-35	1	N.D.	N.D.	.0		N.D.
1935-36	1	N.D.	N.D.	.0		N.D.
1936-37	274	24.0	.0	.0		N.D.
1937-38	1,099	259.0	.0	1,096.0	Mar 02	580.0
1938-39	21	.6	.0	.0	Jan 30	1.1
1939-40	49	4.5	.0	.0	Jan 07	26.0
1940-41	640	46.0	.0	2.8	Mar 04	97.0
1941-42	0	+	.0	.0	Dec 10	.5
1942-43	767	121.0	.0	334.0	Jan 23	270.0
1943-44	286	56.0	.0	.0	Feb 22	111.0
1944-45	149	18.0	.0	.0	Nov 12	132.0
1945-46	148	25.0	.0	.0	Dec 23	120.0
1946-47	88	16.0	.0	.0	Nov 20	47.0
1947-48	0	.0	.0	.0		N.D.
1948-49	0	.0	.0	.0		N.D.
1949-50	6	2.0	.0	.0	Dec 19	4.5
1950-51	0	.0	.0	.0		N.D.
1951-52	314	30.0	.0	34.0	Jan 16	70.0
1952-53	12	1.3	.0	.0	Dec 01	8.2
1953-54	194	19.0	.0	.0	Jan 25	172.0
1954-55	4	1.0	.0	.0	Jan 18	1.4
1955-56	58	25.0	.0	.0	Jan 26	117.0
1956-57	4	2.0	.0	.0	Jan 13	5.8
1957-58	389	34.0	.0	219.0	Apr 03	67.0
1958-59	6	1.0	.0	.0	Feb 16	4.7
1959-60	2	.3	.0	.0	Apr 28	5.4
1960-61	5	1.0	.0	.0	Nov 12	3.9
1961-62	101	9.3	.0	.0	Nov 20	190.0
1962-63	88	26.0	.0	17.0	Feb 09	145.0
1963-64	23	4.2	.0	.0	Mar 22	20.0
1964-65	26	9.9	.0	.0	Apr 09	55.0
1965-66	258	34.0	.0	.0	Nov 23	140.0
1966-67	842	200.0	.0	305.0	Dec 06	408.0
1967-68	167	6.8	.0	.0	Nov 19	18.0
1968-69	2,556	279.0	.0	2,061.0	Jan 25	574.0
1969-70	54	4.8	.0	1.6	Mar 01	13.0
1970-71	32	5.5	.0	.0	Dec 21	12.0

N.D. Not determined

R.I. Records incomplete

+ Less than 0.05 Acre Feet or less than 0.05 CFS, but greater than 0

## RESERVOIRS – YEARLY RESERVOIR OPERATION SUMMARY

### Thompson Creek Dam

Season	Inflow Annual (AF)	Inflow		Outflow Annual (AF)	Peak Inflow	
		Max-Day (CFS)	Min-Day (CFS)		Date	Q (CFS)
1971-72	6	1.3	.0	.0	Dec 27	3.0
1972-73	161	34.0	.0	7.5	Feb 11	58.0
1973-74	37	10.0	.0	37.0	Jan 07	29.0
1974-75	0	.0	.0	.0		N.D.
1975-76	15	3.5	.0	.0	Feb 01	3.5
1976-77	37	6.8	.0	.0		N.D.
1977-78	R.I.					N.D.
1978-79	R.I.					N.D.
1979-80	R.I.					N.D.
1980-81	0	.0	.0	.0		N.D.
1981-82	62	9.4	.0	18.0	Mar 17	40.0
1982-83	1,118	114.0	.0	583.0	Mar 01	377.0
1983-84	70	2.7	.0	11.0	Dec 26	4.0
1984-85	0	.0	.0	.0		N.D.
1985-86	58	9.7	.0	58.0	Mar 16	27.0
1986-87	0	.0	.0	.0		N.D.
1987-88	2	.3	.0	2.1	Jan 17	.9
1988-89	2	.3	.0	2.0	Feb 04	.5
1989-90	6	.5	.0	5.6	Feb 17	.8
1990-91	76	17.0	.0	34.0	Mar 27	20.0
1991-92	190	16.0	.0	190.0	Mar 23	20.0
1992-93	1,267	57.0	.0	1,202.0	Jan 18	166.0
1993-94	0	.1	.0	.4	Mar 19	1.2
1994-95	330	35.0	.0	330.0	Jan 10	82.0
1995-96	392	31.0	.0	392.0	Feb 20	73.0
1996-97	48	11.0	.0	48.0		N.D.
1997-98	526	98.0	.0	525.0	Feb 23	299.0
1998-99						N.D.

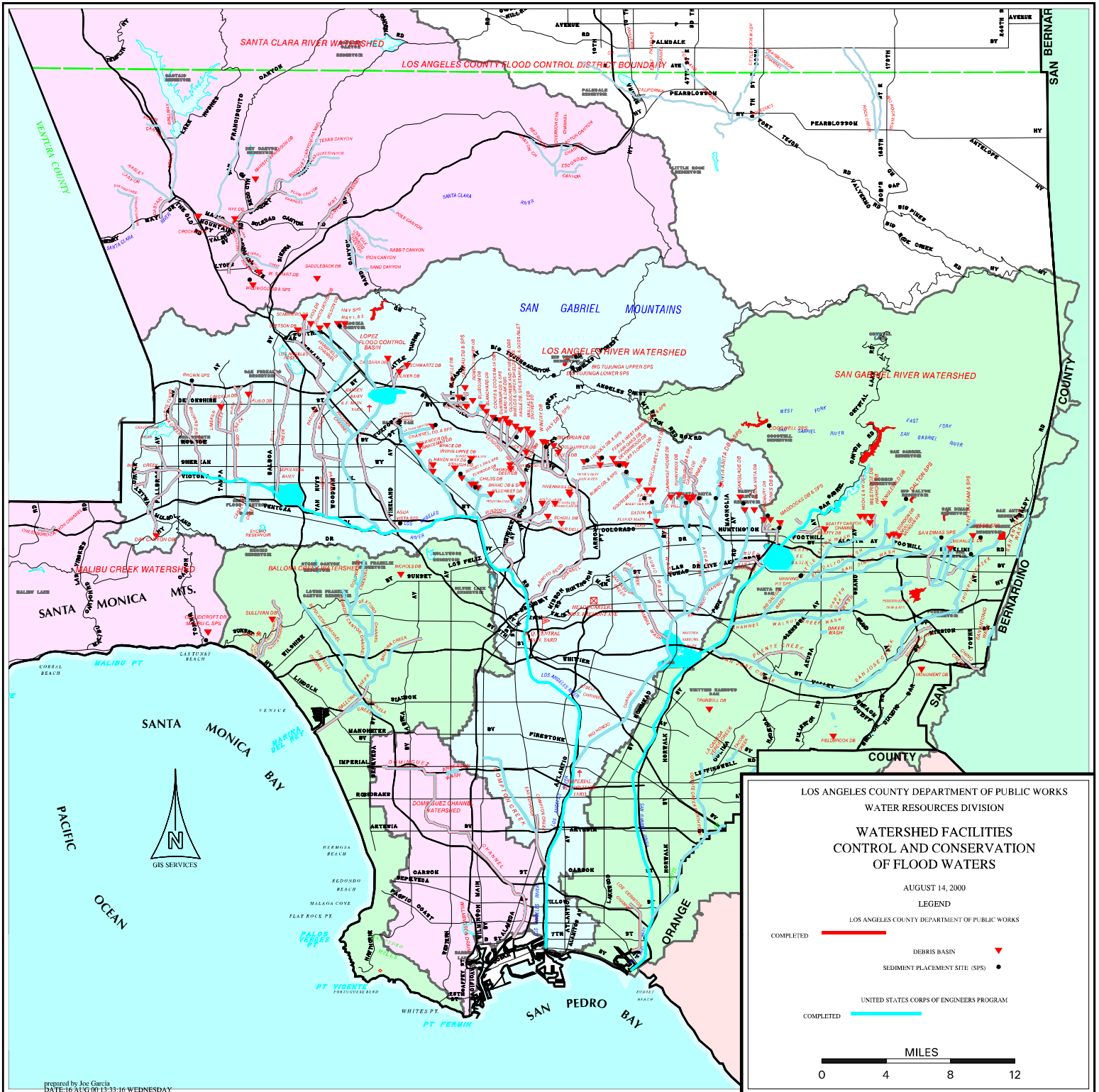
N.D. Not determined

R.I. Records incomplete

+ Less than 0.05 Acre Feet or less than 0.05 CFS, but greater than 0

# **APPENDIX F**

**EROSION CONTROL - LOCATION MAP**





# **APPENDIX G**

**WATER CONSERVATION -DPW FACILITIES**

## WATER CONSERVATION – SUMMARY – DPW FACILITIES

### BEN LOMOND

**Type** SHALLOW  
**Season First Used** 1958-59  
**Area**           **Gross** 24 ACRES  
                   **Wetted** 17 ACRES  
**Capacities**   **Channel\*\*** 9,000 CFS  
                   **Intakes** 400 CFS  
                   **Storage** 168 AF  
                   **Percolation\*** 30 CFS  
**Location** BOTH NORTH AND SOUTH SIDES OF SAN DIMAS WASH CHANNEL AT  
 SOUTHWESTERLY CORNER OF INTERSECTION OF ARROW HIGHWAY  
 AND BARRANCA AVENUE.  
**Source of Water** COVINA IRRIGATING COMPANY, UNCONTROLLED RUNOFF, IMPORTED.  
**Remarks** SPREADING GROUNDS UTILIZED TO CONSERVE EXCESS COVINA  
 IRRIGATION COMPANY WATER RELEASED FROM THE COMMITTEE OF  
 NINE.  
               \* THE CAPACITY LISTED IS ESTIMATES OF INFILTRATION RATES.  
               \*\* DESIGN CAPACITY OF MAIN CHANNEL.

### BIG DALTON

**Type** SHALLOW  
**Season First Used** 1930-31  
**Area**           **Gross** 24 ACRES  
                   **Wetted** 8 ACRES  
**Capacities**   **Channel\*\*** 5,000 CFS  
                   **Intakes** 45 CFS  
                   **Storage** 12 AF  
                   **Percolation\*** 12 CFS  
**Location** WESTERLY SIDE OF BIG DALTON WASH, ONE HALF MILE ABOVE  
 SIERRA MADRE AVENUE.  
**Source of Water** CONTROLLED FLOWS FROM BIG DALTON DAM AND BIG DALTON  
 DEBRIS BASIN.  
**Remarks**  
               \* THE CAPACITY LISTED IS ESTIMATES OF INFILTRATION RATES.  
               \*\* DESIGN CAPACITY OF MAIN CHANNEL.

### BRANFORD

**Type** DEEP  
**Season First Used** 1956-57  
**Area**           **Gross** 12 ACRES  
                   **Wetted** 7 ACRES  
**Capacities**   **Channel\*\*** 1,540 CFS  
                   **Intakes** 1,540 CFS  
                   **Storage** 137 AF  
                   **Percolation\*** 1 CFS  
**Location** SOUTHWESTERLY OF ARLETA AVENUE ABOVE CONFLUENCE OF  
 TUJUNGA WASH AND PACOIMA DIVERSION CHANNEL.  
**Source of Water** UNCONTROLLED FLOWS FROM BRANFORD STREET DRAIN.  
**Remarks** INSTREAM SPREADING FACILITY. OUTLET CAPACITY 1,540 CFS TO  
 PACOIMA DIVERSION CHANNEL.  
               \* THE CAPACITY LISTED IS ESTIMATES OF INFILTRATION RATES.  
               \*\* DESIGN CAPACITY OF MAIN CHANNEL.

## WATER CONSERVATION – SUMMARY – DPW FACILITIES

### BUENA VISTA

**Type** DEEP  
**Season First Used** 1954-55  
**Area**           **Gross** 10 ACRES  
                   **Wetted** 6 ACRES  
**Capacities**   **Channel\*\*** 2,900 CFS  
                   **Intakes** 2,900 CFS  
                   **Storage** 177 AF  
                   **Percolation\*** 6 CFS  
**Location** 1.0 MILE EASTERLY OF SAWPIT WASH. 0.5 MILE NORTHERLY OF  
 ARROW HIGHWAY, BETWEEN MERIDIAN STREET AND BUENA VISTA  
 CHANNEL.  
**Source of Water** CONTROLLED FLOW FROM SANTA FE DAM AND UNCONTROLLED  
 FLOW FROM BUENA VISTA CHANNEL.  
**Remarks** INSTREAM SPREADING FACILITY. TOTAL OUTLET CAPACITY OF 270  
 CFS.  
               \* THE CAPACITY LISTED IS ESTIMATES OF INFILTRATION RATES.  
               \*\* DESIGN CAPACITY OF MAIN CHANNEL.

### CITRUS

**Type** SHALLOW  
**Season First Used** 1960-61  
**Area**           **Gross** 19 ACRES  
                   **Wetted** 15 ACRES  
**Capacities**   **Channel\*\*** 11,000 CFS  
                   **Intakes** 245 CFS  
                   **Storage** 80 AF  
                   **Percolation\*** 28 CFS  
**Location** SOUTH SIDE OF BIG DALTON WASH BETWEEN CITRUS AND CERRITOS  
 AVENUES.  
**Source of Water** CONTROLLED FLOWS FROM BIG DALTON DAM AND LITTLE DALTON  
 DEBRIS DAMS. UNCONTROLLED FLOWS FROM BIG DALTON WASH.  
**Remarks** THERE ARE 2 INTAKES, ONE IS A DROP INLET, THE OTHER AN AIR  
 INFLATED RUBBER DAM.  
               \* THE CAPACITY LISTED IS ESTIMATES OF INFILTRATION RATES.  
               \*\* DESIGN CAPACITY OF MAIN CHANNEL.

### DOMINGUEZ GAP

**Type** DEEP  
**Season First Used** 1957-58  
**Area**           **Gross** 54 ACRES  
                   **Wetted** 24 ACRES  
**Capacities**   **Channel\*\*** 146,000 CFS  
                   **Intakes** 20 CFS  
                   **Storage** 234 AF  
                   **Percolation\*** 1 CFS  
**Location** SOUTH OF DEL AMO BOULEVARD AND BORDERS THE EASTERN AND  
 WESTERN SIDES OF THE LOS ANGELES RIVER  
**Source of Water** CONTROLLED FLOW FROM LOS ANGELES RIVER LOW FLOW CHANNEL  
 AND UNCONTROLLED FLOWS FROM STORM DRAINS.  
**Remarks** EAST SIDE BASIN USED FOR FLOOD REGULATION WITH SOME  
 CONSERVATION STORAGE. INTAKE CAPACITY IS 20 CFS FOR LOW  
 FLOW DIVERSION FROM THE LOS ANGELES RIVER. THE WEST SIDE  
 BASIN IS FED BY A 24-INCH CONCRETE PIPE FROM THE EAST SIDE  
 BASIN.  
               \* THE CAPACITY LISTED IS ESTIMATES OF INFILTRATION RATES.  
               \*\* DESIGN CAPACITY OF MAIN CHANNEL.







## WATER CONSERVATION – SUMMARY – DPW FACILITIES

### PECK ROAD

**Type** DEEP  
**Season First Used** 1959-60  
**Area**           **Gross** 157 ACRES  
                   **Wetted** 105 ACRES  
**Capacities**   **Channel\*\*** 30,100 CFS  
                   **Intakes** 30,100 CFS  
                   **Storage** 3,347 AF  
                   **Percolation\*** 25 CFS  
**Location** CONFLUENCE OF SAWPIT AND SANTA ANITA WASHES.  
**Source of Water** CONTROLLED RELEASES FROM SANTA ANITA AND SAWPIT DEBRIS  
                           BASINS AND UNCONTROLLED FLOWS FROM LOCAL RUNOFF VIA  
                           SAWPIT AND SANTA ANITA WASHES.  
**Remarks** INSTREAM SPREADING FACILITY.  
               \* THE CAPACITY LISTED IS ESTIMATES OF INFILTRATION RATES.  
               \*\* DESIGN CAPACITY OF MAIN CHANNEL.

### RIO HONDO COASTAL

**Type** SHALLOW  
**Season First Used** 1937-38  
**Area**           **Gross** 570 ACRES  
                   **Wetted** 430 ACRES  
**Capacities**   **Channel\*\*** 40,000 CFS  
                   **Intakes** 1,950 CFS  
                   **Storage** 3,694 AF  
                   **Percolation\*** 400 CFS  
**Location** EASTERLY SIDE OF RIO HONDO SOUTHERLY FROM S. P. R. R. (SOUTH  
                   OF WHITTIER BLVD.) TO SLAUSON AVENUE; WEST SIDE OF RIO HONDO  
                   CHANNEL FROM 0.2 MILE ABOVE WHITTIER BOULEVARD SOUTH TO  
                   FOSTER BRIDGE BOULEVARD.  
**Source of Water** CONTROLLED RELEASES FROM SAN GABRIEL CANYON DAMS, SANTA  
                           FE AND WHITTIER NARROWS DAMS. UNCONTROLLED RUNOFF VIA  
                           SAN GABRIEL RIVER, RIO HONDO CHANNEL AND THEIR TRIBUTARIES;  
                           ALSO IMPORTED AND RECLAIMED WATER.  
**Remarks** IN COOPERATION WITH THE CORPS OF ENGINEERS. THE DISTRICT  
                   OPERATES 1,200 ACRE-FOOT POOL AT WHITTIER NARROWS DAM FOR  
                   RETENTION OF STORM WATER.  
               \* THE CAPACITY LISTED IS ESTIMATES OF INFILTRATION RATES.  
               \*\* DESIGN CAPACITY OF MAIN CHANNEL.

### S.G. RIVER (MONTEBELLO FOREBAY)

**Type** SHALLOW  
**Season First Used** 1954-55  
**Area**           **Gross** 308 ACRES  
                   **Wetted** 308 ACRES  
**Capacities**   **Channel\*\*** 20,000 CFS  
                   **Intakes** In river Percolation  
                   **Storage** 913 AF  
                   **Percolation\*** 75 CFS  
**Location** HEADWORKS TO FIRESTONE AVE. ONLY. STORAGE BEHIND THE SEVEN  
                   RUBBER DAMS INSTALLED ON DROP STRUCTURE.  
**Source of Water** SAME AS SAN GABRIEL COASTAL.  
**Remarks**  
               \* THE CAPACITY LISTED IS ESTIMATES OF INFILTRATION RATES.  
               \*\* DESIGN CAPACITY OF MAIN CHANNEL.









# **APPENDIX H**

**WATER CONSERVATION -NON DPW FACILITIES**



**WATER CONSERVATION – SUMMARY – NON DPW FACILITIES**
**THOMPSON CREEK POMONA VALLEY PROTECTIVE ASSOCIATION**

**Type** DITCHES CHECKS AND DEEP BASIN  
**Season First Used** ABOUT 1928  
**Area**           **Gross** 53 ACRES  
                   **Wetted** 37.0 ACRES  
**Capacities**   **Channel\*\*** CFS  
                   **Intakes** 35 CFS  
                   **Storage** AF  
                   **Percolation\*** 15 CFS  
**Location** SOUTHERLY FROM, AND ADJACENT TO THOMPSON CREEK DAM, EAST SIDE OF CREEK  
**Source of Water** COBAL, WILLIAMS, PALMER, AND PADUA CREEKS, ALSO THOMPSON CREEK, WHEN RESERVOIR ABOVE ELEVATION 1,625.  
**Remarks** OPERATED BY POMONA VALLEY PROTECTIVE ASSOCIATION. THE DEPARTMENT DIVERTS WATER TO THIS FACILITY VIA THE PALMER DIVERSION.  
               \* THE CAPACITY LISTED IS ESTIMATES OF INFILTRATION RATES.  
               \*\* DESIGN CAPACITY OF MAIN CHANNEL.

**TUJUNGA (L.A. CITY DEPT. OF WATER AND POWER)**

**Type** SHALLOW BASINS  
**Season First Used** ABOUT 1931-32  
**Area**           **Gross** 188 ACRES  
                   **Wetted** 83.2 ACRES  
**Capacities**   **Channel\*\*** 22000.0 CFS  
                   **Intakes** 400 CFS  
                   **Storage** 100 AF  
                   **Percolation\*** 120 CFS  
**Location** SAN FERNANDO VALLEY, EAST SIDE OF TUJUNGA WASH AT ROSCOE BOULEVARD  
**Source of Water** CONTROLLED RELEASES FROM BIG TUJUNGA CAM, HANSEN DAM AND UNCONTROLLED RUNOFF FROM STORM DRAINS, ALSO IMPORTED WATER.  
**Remarks** THE DEPARTMENT HAS AN AGREEMENT WITH THE CITY OF LOS ANGELES TO OPERATE THIS FACILITY.  
               \* THE CAPACITY LISTED IS ESTIMATES OF INFILTRATION RATES.  
               \*\* DESIGN CAPACITY OF MAIN CHANNEL.

# **APPENDIX I**

**WATER CONSERVATION - WATER CONSERVED**

## WATER CONSERVATION - WATER CONSERVED

Los Angeles County Department of Public Works  
Total Monthly Water Conserved (acre-feet) during Water Year 1998-1999

AREA	SPREADING FACILITY	OCT	NOV	DEC	JAN	FEB	MAR	APR	MAY	JUN	JUL	AUG	SEP	ACC TOT	Historic High	
															Amount	Wtr Yr
San Fernando Valley Facilities	Branford	49	129	34	73	33	72	41	16	51	17	17	15	547	724	1969-70
	Hansen	1,370	955	1,430	1,260	1,670	1,440	340	255	205	24	0	0	8,949	35,221	1982-83
	Lopez	0	34	94	0	56	181	133	5	16	17	0	0	536	1,938	1967-68
	Pacoima	0	44	55	276	206	0	0	56	59	0	0	0	696	22,973	1982-83
	Tujunga*	0	310	0	108	12	65	1,760	682	420	396	178	3	3,934	42,817	1982-83
	SUBTOTAL1	1,419	1,472	1,613	1,717	1,977	1,758	2,274	1,014	751	454	195	18	14,662		
San Gabriel Valley Facilities	Ben Lomond	0	0	0	0	0	0	0	0	0	77	1,000	1,320	2,397	6,444	1966-67
	Big Dalton	0	0	0	10	33	0	0	0	0	0	37	0	80	3,766	1966-67
	Buena Vista	3	29	0	30	7	17	15e	7	10e	7	6	6	137	2,731	1957-58
	Citrus	103	25	0	12	39	172	219	233	405	325	170	30	1,733	6,478	1994-95
	Eaton Basin	16	102	79	73	60	54	100	20	38	18	18	17	595	3,481	1982-83
	Eaton Grounds	0	0	0	0	0	0	0	54	0	0	0	0	54	4,761	1982-83
	Forbes	56	0	0	0	0	159	8	1	180	204	119	116	843	2,628	1986-87
	Irwindale	547	254	252	516	81	803	593	0	2,770	1,910	1,480	1,460	10,666	41,280	1991-92
	Little Dalton	18	36	48	355	821	722	608	384	707	147	0	0	3,846	5,546	1995-96
	Live Oak	0	0	0	0	0	0	0	0	46	2	0	0	48	1,660	1982-83
	Peck Road	49	122	67	390	-20b	525	-360b	36	188	154	64	114	1,329	50,026	1982-83
	San Dimas Canyon	91	14	136	130	293	0	272	164	187	5	0	0	1,292	6,049	1982-83
	San Gabriel Canyon	366	530	622	102	166	1,580	1,510	2,940	1,220	1,280	2,220	1,630	14,166	19,583	1969-70
	Santa Anita	31	2	18	6	41	54	47	15	16	2	10	0	242	1,641	1965-66
	Santa Fe SG	0	0	0	0	0	0	0	0	0	0	0	0	0	124,478	1982-83
	Sawpit	129	124	74	135	158	142	39	102	6	0	0	0	909	2,926	1982-83
	Walnut	157	7	68	143	83	0	111	0	61	122	117	79	948	3,063	1992-93
Sierra Madre*	213	15	291	150	171	136	210	140	149	0	85	0	1,560	5,003	1966-67	
Fish Creek*	473	586	609	471	434	477	460	496	538	534	527	526	6,131	9,737	1978-79	
S.G. River Perc. Reach from Morris Dam to W.N. Dam	Morris Dam to Sta. F190	333	883	452	62	140	583	553	349	411	429	736	658	5,589	119,600	1977-78
	Sta. F190 to Santa Fe Dam O/F	2,271	3,927	1,702	-72b	0	200	1,424	750	161	1,466	1,821	1,738	15,388	141,600	1968-69
	Santa Fe Dam O/F to Sta. F263	852	660	793	1,097	996	541	1,124	1,041	891	309	871	1,734	10,909	79,083	1991-92
	SUBTOTAL2	5,708	7,316	5,211	3,610	3,503	6,165	6,933	6,732	7,984	6,991	9,281	9,428	78,862		
Coastal Plain Facilities	Rio Hondo S.G.	5,300	3,456	2,730	6,438	3,777	4,665	7,036	167	500	1,110	1,510	1,253	37,942	96,363	1978-79
	Whittier Narrows Reservoir	416	304	358	1,072	561	834	2,127	1,165	528	972	1,114	981	10,432	102,610	1991-92
	San Gabriel Coastal	1,247	4,701	2,124	2,850	3,105	2,991	2,721	4,230	5,110	1,000	0	9	30,088	81,586	1992-93
	Dominguez Gap	0	0	0	0	0	0	0	0	0	0	0	0	0	2,414	1961-62
	SUBTOTAL3	6,963	8,461	5,212	10,360	7,443	8,490	11,884	5,562	6,138	3,082	2,624	2,243	78,462		
<b>Total Water Conserved</b>		<b>14,090</b>	<b>17,249</b>	<b>12,036</b>	<b>15,687</b>	<b>12,923</b>	<b>16,413</b>	<b>21,091</b>	<b>13,308</b>	<b>14,873</b>	<b>10,527</b>	<b>12,100</b>	<b>11,689</b>	<b>171,986</b>		

Note: \* Owned by other entities.

b Water in storage.

e Estimated.

# **APPENDIX J**

**WATER CONSERVATION - IMPORTED WATER**



**WATER CONSERVATION - IMPORTED WATER**

**IMPORTED WATER OUTLET RELEASES: *Water Delivered in Acre-Feet***

	San Dimas	Thompson Creek	Alhambra	USGMWD	TVMWD	Olden Street	SGVMWD Spreading Ground				Waste to the Ocean	Monthly Total Spread
	CB	CB	CB	USG3	Little DaPM26	L.A.	Canyon Basin	Beatt	Big D	San D		
Oct	0	0	0	0	0	0	0	0	95.3	539.7	0	635
Nov	0	0	0	0	0	0	0	0	0	147	0	147
Dec	0	0	0	0	0	0	0	0	0	0	0	0
Jan	0	0	0	0	303.7	0	0	0	0	0	0	303.7
Feb	0	0	0	0	748.8	0	0	0	0	0	0	748.8
Mar	0	0	0	0	666.4	0	0	0	111	664	0	1441.4
Apr	0	0	0	0	546.4	0	0	0	68	315	0	929.4
May	0	0	0	0	345.4	0	1887	0	129	0	0	2361.4
Jun	0	0	0	0	701	0	227	0	298	2273	0	3499
Jul	0	0	0	2048.3	146.8	0	153	0	309	2339	0	5032.1
Aug	0	0	0	4123.7	0	0	812	0	97	1805	0	6837.7
Sep	0	0	0	3857.3	0	0	899	0	0	2206	0	6962.3
<b>TOTAL</b>	0	0	0	10065.3	3458.5	0	3978	0	1107.3	10288.7	0	28897.8

# **APPENDIX K**

**WATER CONSERVATION - RECLAIMED WATER**

**WATER CONSERVATION - RECLAIMED WATER**

**RECLAIMED WATER : *Water Delivered in Acre-Feet***

	WHITTIER NARROWS PLANT				SAN JOSE PLANT				POMONA PLANT	MONTHLY TOTAL SPREAD
	Delivered		Wasted	Monthly Spread	Delivered		Wasted	Monthly Spread		
	Rio Hondo	San Gabriel			Rio Hondo	San Gabriel				
<b>Oct</b>	679.3	93.3	0	772.6	4153.9	780.6	0	4934.5	177.1	5884.2
<b>Nov</b>	499.7	246.1	58	687.8	1791.4	2988.9	318	4462.3	282.9	5433
<b>Dec</b>	723	0	0	723	1128.8	540.3	0	1669.1	268.2	2660.3
<b>Jan</b>	1120.2	0	0	1120.2	2811.3	991	0	3802.3	249.6	5172.1
<b>Feb</b>	1094.9	0	0	1094.9	1561.5	996.2	0	2557.7	344.8	3997.4
<b>Mar</b>	1188.7	0	0	1188.7	2325.1	2186.6	0	4511.7	285.3	5985.7
<b>Apr</b>	819.1	85.1	9.7	894.5	2901	822.4	43.6	3679.8	338.8	4913.1
<b>May</b>	0	944.7	0	944.7	0	2201	0	2201	168.8	3314.5
<b>Jun</b>	0	854.8	17.1	837.7	0	3001.6	89.5	2912.1	151.9	3901.7
<b>Jul</b>	520.1	341.1	0	861.2	825.4	639.4	0	1464.8	89.2	2415.2
<b>Aug</b>	943.5	0	0	943.5	1361.9	0	0	1361.9	61	2366.4
<b>Sep</b>	939.2	0	40.5	898.7	1183.6	40.9	0	1224.5	66.1	2189.3
<b>TOTAL</b>	8527.7	2565.1	125.3	10967.5	20043.9	15188.9	451.1	34781.7	2483.7	48232.9

# **APPENDIX L**

**WATER CONSERVATION – GROUND WATER**

**WATER CONSERVATION- GROUND WATER**

**WATER CONSERVATION  
GROUND WATER FLUCTUATION:**

Location	File Name	Size	Ground Surface Elv.
Coastal Plain, City of Long Beach	<u>0460K</u>	8096 bytes	26.6
Coastal Plain	<u>0760C</u>	8402 bytes	50.0
Coastal Plain, City of Long Beach	<u>0906D</u>	7985 bytes	88.8
Central Basin	<u>1601T</u>	5719 bytes	159.7
Main San Gabriel Basin	<u>2965C</u>	5018 bytes	245.0
Main San Gabriel Basin, Baldwin Park	<u>3030F</u>	6593 bytes	386.7
Pomona Basin	<u>3261P</u>	7883 bytes	999.4
San Fernando Valley, Canoga Park	<u>3600H</u>	5044 bytes	788.5
San Fernando Valley, Burbank	<u>3872H</u>	5199 bytes	546.5
Raymond Basin	<u>4057H</u>	7361 bytes	749.9
San Gabriel Canyon Basin, North of Azusa	<u>4284A</u>	6107 bytes	658.8
Upper Claremont Heights	<u>4508A</u>	5483 bytes	1482.0
Santa Clarita Valley, Near Castaic Junction	<u>7057P</u>	4888 bytes	1131.0
Little Rock, South of Palmdale	<u>8825</u>	6324 bytes	2777.0
Antelope Valley, South of Lancaster	<u>9974</u>	5338 bytes	2512.0

## WATER CONSERVATION – SUMMARY – GROUND WATER

**GROUND WATER FLUCTUATION:**

**Location: Coastal Plain, City of Long Beach**  
**Ground Surface Elevation: 26.6 ft above MSL**

STATION	460K
	WS Elev.
Jan-50	-30.1
Feb-50	-30.7
Mar-50	-27.3
Apr-50	-45.6
May-50	-41.4
Jun-50	-45.1
Jul-50	-49.6
Aug-50	-56.9
Sep-50	-51.9
Oct-50	-55.3
Nov-50	-60.7
Dec-50	-43.8
Jan-51	-49.9
Feb-51	-49.4
Mar-51	-54
Apr-51	-66.9
May-51	-57.9
Jun-51	-67.7
Jul-51	-67.1
Aug-51	-77.2
Sep-51	-70.4
Oct-51	-73.3
Nov-51	-67.6
Dec-51	-53.8
Jan-52	-46.8
Feb-52	-45.7
Mar-52	-44.7
Apr-52	-47.4
May-52	-40.3
Jun-52	-45.9
Jul-52	-62.7
Aug-52	-74
Sep-52	-76.4
Oct-52	-72.4
Nov-52	-65
Dec-52	-47.7
Jan-53	-43.2
Feb-53	-42.4
Mar-53	-49.9
Apr-53	-61.6
May-53	-60.6
Jun-53	-71.9
Jul-53	-80.9
Aug-53	-83.5
Sep-53	-78.4

**Location: Coastal Plain, City of Long Beach**  
**Ground Surface Elevation: 26.6 ft above MSL**

STATION	460K
	WS Elev.
Oct-53	-78.7
Nov-53	-72.3
Dec-53	-63.3
Jan-54	-58.9
Feb-54	-49
Mar-54	-58.3
Apr-54	-54.4
May-54	-61
Jun-54	-75.2
Jul-54	-80.4
Aug-54	-87.4
Sep-54	-88.9
Oct-54	-82.9
Nov-54	-74.9
Dec-54	-63.7
Jan-55	-63.6
Feb-55	-51.3
Mar-55	-59.4
Apr-55	-67.1
May-55	-59.2
Jun-55	-70.7
Jul-55	-77.7
Aug-55	-86.2
Sep-55	-93.3
Oct-55	-93.7
Nov-55	-78.7
Dec-55	-69.3
Jan-56	-72.7
Feb-56	-68.1
Mar-56	-74.7
Apr-56	-83.5
May-56	-82.3
Jun-56	-87.7
Jul-56	-90
Aug-56	-99
Sep-56	-100.8
Oct-56	-101.3
Nov-56	-97.7
Dec-56	-98.2
Jan-57	-94.6
Feb-57	-69.6
Mar-57	-65.4
Apr-57	-69.4
May-57	-87.4
Jun-57	-88.3

**WATER CONSERVATION – SUMMARY – GROUND WATER**
**GROUND WATER FLUCTUATION:**

**Location: Coastal Plain, City of Long Beach**  
**Ground Surface Elevation: 26.6 ft above MSL**

STATION	460K
	WS Elev.
Jul-57	-92.5
Aug-57	-95
Sep-57	-99
Oct-57	-100
Nov-57	-85
Dec-57	-84.1
Jan-58	-76.8
Feb-58	-72.9
Mar-58	-77.5
Apr-58	-70.6
May-58	-87.5
Jun-58	-92.2
Jul-58	-95.4
Aug-58	-93.6
Sep-58	-91.7
Oct-58	-87.6
Nov-58	-84
Dec-58	-82.8
Jan-59	-78.7
Feb-59	-78.3
Mar-59	-74
Apr-59	-81.2
May-59	-82.9
Jun-59	-87.5
Jul-59	-94.2
Aug-59	-96.2
Sep-59	-98.2
Oct-59	-96.7
Nov-59	-95.2
Dec-59	-93.5
Jan-60	-83.6
Feb-60	-81.5
Mar-60	-85.8
Apr-60	-83.5
May-60	-75.3
Jun-60	-74.2
Jul-60	-76.5
Aug-60	-92.2
Sep-60	-84.2
Oct-60	-95
Nov-60	-91.3
Dec-60	-76.6
Jan-61	-74.2
Feb-61	-81.8
Mar-61	-91

**Location: Coastal Plain, City of Long Beach**  
**Ground Surface Elevation: 26.6 ft above MSL**

STATION	460K
	WS Elev.
Apr-61	-92.5
May-61	-81.2
Jun-61	-108.8
Jul-61	-111.7
Aug-61	-112.9
Sep-61	-113
Oct-61	-106.8
Nov-61	-101.4
Dec-61	-92.7
Jan-62	-80.7
Feb-62	-78.1
Mar-62	-74.8
Apr-62	-76.1
May-62	-92.7
Jun-62	-91.7
Jul-62	-100.1
Aug-62	-107.6
Sep-62	-109.9
Oct-62	-103.9
Nov-62	-73
Dec-62	-64.4
Jan-63	-55.3
Feb-63	-50.9
Mar-63	-48.7
Apr-63	-47.3
May-63	-48.1
Jun-63	-49.3
Jul-63	-50.5
Aug-63	-63.1
Sep-63	-68.8
Oct-63	-60.4
Nov-63	-46.8
Dec-63	-33.4
Jan-64	-36.4
Feb-64	-33
Mar-64	-31.6
Apr-64	-32.6
May-64	-39.4
Jun-64	-45.9
Jul-64	-47.7
Aug-64	-52
Sep-64	-53.9
Oct-64	-50.5
Nov-64	-40.9
Dec-64	-34.7

**WATER CONSERVATION – SUMMARY – GROUND WATER**
**GROUND WATER FLUCTUATION:**

**Location: Coastal Plain, City of Long Beach**  
**Ground Surface Elevation: 26.6 ft above MSL**

STATION	460K
	WS Elev.
Jan-65	-30.7
Feb-65	-30.3
Mar-65	-32.7
Apr-65	-32
May-65	-35.7
Jun-65	-40.3
Jul-65	-40.1
Aug-65	-45.8
Sep-65	-49.5
Oct-65	-44.6
Nov-65	-42
Dec-65	-30.6
Jan-66	-26
Feb-66	-24.9
Mar-66	-26.5
Apr-66	-28.8
May-66	-32.2
Jun-66	-43
Jul-66	-48.9
Aug-66	-46.8
Sep-66	-49.5
Oct-66	-45.4
Nov-66	-40.2
Dec-66	-30.1
Jan-67	-24.5
Feb-67	-21.8
Mar-67	-21.7
Apr-67	-20.4
May-67	-16.5
Jun-67	-23.2
Jul-67	-29.8
Aug-67	-41.6
Sep-67	-43.4
Oct-67	-34.5
Nov-67	-35.4
Dec-67	-30.5
Jan-68	-26.9
Feb-68	-24.4
Mar-68	-25
Apr-68	-25.5
May-68	-37.2
Jun-68	-40.9
Jul-68	-40.6
Aug-68	-46.3
Sep-68	-51.3

**Location: Coastal Plain, City of Long Beach**  
**Ground Surface Elevation: 26.6 ft above MSL**

STATION	460K
	WS Elev.
Oct-68	-46.6
Nov-68	-38.5
Dec-68	-34.1
Jan-69	-30.4
Feb-69	-25.8
Mar-69	-26
Apr-69	-26
May-69	-33.9
Jun-69	-42.4
Jul-69	-47.7
Aug-69	-49.1
Sep-69	-51.7
Oct-69	-57
Nov-69	-44.7
Dec-69	-39.2
Jan-70	-34.6
Feb-70	-29.4
Mar-70	-27.1
Apr-70	-31
May-70	-34.5
Jun-70	-39.2
Jul-70	-38.4
Aug-70	-40
Sep-70	-43.7
Oct-70	-52.5
Nov-70	-50.8
Dec-70	-39.5
Jan-71	-31.7
Feb-71	-30
Mar-71	-32.8
Apr-71	-37.8
May-71	-38.2
Jun-71	-39.9
Jul-71	-51
Aug-71	-52.2
Sep-71	-50.1
Oct-71	-54.7
Nov-71	-57
Dec-71	-46.3
Jan-72	-34.2
Feb-72	-32.3
Mar-72	-34.3
Apr-72	-40.5
May-72	-44.5
Jun-72	-59.5



## WATER CONSERVATION – SUMMARY – GROUND WATER

**GROUND WATER FLUCTUATION:**

**Location: Coastal Plain, City of Long Beach**  
**Ground Surface Elevation: 26.6 ft above MSL**

STATION	460K
	WS Elev.
Jul-72	-53.5
Aug-72	-64.5
Sep-72	-73.3
Oct-72	-69.2
Nov-72	-60.8
Dec-72	-46.3
Jan-73	-40.2
Feb-73	-38.8
Mar-73	-33.8
Apr-73	-37.9
May-73	-49.5
Jun-73	-59.8
Jul-73	-68.3
Aug-73	-71.1
Sep-73	-69.7
Oct-73	-69.4
Nov-73	-67.5
Dec-73	-52.9
Jan-74	-54.7
Feb-74	-51.7
Mar-74	-54.4
Apr-74	-50.6
May-74	-62.7
Jun-74	-63.9
Jul-74	-69.7
Aug-74	-73.6
Sep-74	-73.6
Oct-74	-76.3
Nov-74	-71.7
Dec-74	-68.8
Jan-75	-58.1
Feb-75	-55.5
Mar-75	-48.1
Apr-75	-45.9
May-75	-47.1
Jun-75	-58.9
Jul-75	-70
Aug-75	-74.7
Sep-75	-71.1
Oct-75	-78.3
Nov-75	-75
Dec-75	-72.8
Jan-76	-70
Feb-76	-66.8
Mar-76	-66.1

**Location: Coastal Plain, City of Long Beach**  
**Ground Surface Elevation: 26.6 ft above MSL**

STATION	460K
	WS Elev.
Apr-76	-69.4
May-76	-70.5
Jun-76	-76.6
Jul-76	-85.4
Aug-76	-85.7
Sep-76	-88
Oct-76	-77.7
Nov-76	-84.2
Dec-76	-78.9
Jan-77	-74.2
Feb-77	-67.2
Mar-77	-66.8
Apr-77	-74.6
May-77	-84.7
Jun-77	-78.9
Jul-77	-88.7
Aug-77	-92.1
Sep-77	-90.4
Oct-77	-90.2
Nov-77	-87.8
Dec-77	-85.2
Jan-78	-78.8
Feb-78	-65.4
Mar-78	-64.1
Apr-78	-63.4
May-78	-50.4
Jun-78	-63.2
Jul-78	-82.8
Aug-78	-80.9
Sep-78	-83.6
Oct-78	-85.1
Nov-78	-76.1
Dec-78	-66.7
Jan-79	-62
Feb-79	-53.6
Mar-79	-43.5
Apr-79	-42.6
May-79	-53.6
Jun-79	-62.9
Jul-79	-77.1
Aug-79	-85.8
Sep-79	-89.5
Oct-79	-85.2
Nov-79	-83.5
Dec-79	-83.7

**WATER CONSERVATION – SUMMARY – GROUND WATER**
**GROUND WATER FLUCTUATION:**

**Location: Coastal Plain, City of Long Beach**  
**Ground Surface Elevation: 26.6 ft above MSL**

STATION	460K
	WS Elev.
Jan-80	-66.8
Feb-80	-57.5
Mar-80	-55.9
Apr-80	-58.9
May-80	-59.1
Jun-80	-69.1
Jul-80	-79.4
Aug-80	-84.9
Sep-80	-86.3
Oct-80	-82.5
Nov-80	-80.3
Dec-80	-77.5
Jan-81	-63.4
Feb-81	-52.1
Mar-81	-49.6
Apr-81	-48.8
May-81	-64.4
Jun-81	-69.1
Aug-81	-72.5
Sep-81	-79
Nov-81	-64.8
Dec-81	-71.8
Jan-82	-45.1
Feb-82	-49.7
Mar-82	-52.3
Apr-82	-59
Jul-82	-69
Aug-82	-74.2
Sep-82	-73.8
Nov-82	-68
Dec-82	-61.5
Jan-83	-51.6
Feb-83	-52.7
Mar-83	-49.3
Apr-83	-47.8
May-83	-57.5
Jun-83	-63.7
Jul-83	-66.7
Aug-83	-66.7
Sep-83	-53.3
Oct-83	-46.3
Nov-83	-45.5
Dec-83	-21.7
Jan-84	-19.1
Feb-84	-17.5

**Location: Coastal Plain, City of Long Beach**  
**Ground Surface Elevation: 26.6 ft above MSL**

STATION	460K
	WS Elev.
Mar-84	-21.4
Apr-84	-24.6
May-84	-48
Jun-84	-58.7
Jul-84	-58.7
Aug-84	-61.9
Sep-84	-66.7
Oct-84	-62.4
Nov-84	-53.2
Dec-84	-44.3
Jan-85	-35.3
May-85	-40.4
Jun-85	-44.8
Jul-85	-56
Aug-85	-59.9
Sep-85	-59.1
Oct-85	-48.8
Nov-85	-49.3
Dec-85	-42.9
Jan-86	-38.5
Mar-86	-38.7
Apr-86	-43.8
May-86	-44.1
Jun-86	-56.9
Jul-86	-54.3
Aug-86	-66.8
Sep-86	-58.1
Oct-86	-52.3
Nov-86	-43.6
Dec-86	-43.6
Jan-87	-45.6
Feb-87	-44.6
Apr-87	-45.4
May-87	-48.4
Jun-87	-41
Jul-87	-63.6
Aug-87	-50.4
Sep-87	-61.5
Oct-87	-62.7
Nov-87	-63.2
Dec-87	-47.7
Jan-88	-47.2
Feb-88	-49.7
Mar-88	-49
Apr-88	-56.5

**WATER CONSERVATION – SUMMARY – GROUND WATER**
**GROUND WATER FLUCTUATION:**

**Location: Coastal Plain, City of Long Beach**  
**Ground Surface Elevation: 26.6 ft above MSL**

STATION	460K
	WS Elev.
May-88	-62.5
Jun-88	-62.5
Jul-88	-77
Aug-88	-77.5
Sep-88	-78.8
Oct-88	-73.1
Nov-88	-73.1
Dec-88	-66.2
Jan-89	-55.1
Feb-89	-63.2
Mar-89	-71.9
Apr-89	-71
May-89	-77
Jun-89	-76.2
Jul-89	-78.7
Aug-89	-76
Sep-89	-87.8
Oct-89	-73.4
Nov-89	-54.2
Dec-89	-56.7
Jan-90	-49.2
Feb-90	-44.9
Mar-90	-45.1
Apr-90	-36
May-90	-55.9
Jun-90	-89.9
Jul-90	-97.2
Aug-90	-98.7
Sep-90	-99.5
Oct-90	-91.5
Nov-90	-48.3
Dec-90	-34.8
Jan-91	-33.3
Feb-91	-42.4
Mar-91	-46.1
Apr-91	-26
May-91	-78.3
Jun-91	-90.2
Jul-91	-80.4
Aug-91	-77.5
Sep-91	-63.4
Oct-91	-62.7
Nov-91	-63.4
Dec-91	-60.9
Jan-92	-55.4

**Location: Coastal Plain, City of Long Beach**  
**Ground Surface Elevation: 26.6 ft above MSL**

STATION	460K
	WS Elev.
Feb-92	-50.6
Mar-92	-28.2
Apr-92	-46.7
May-92	-62.9
Sep-92	-73.5
Oct-92	-72
Nov-92	-78.8
Dec-92	-76.5
Jan-93	-70.4
Feb-93	-68.5
Mar-93	-65.9
Apr-93	-51.9
May-93	-37.9
Jun-93	-27.6
Jul-93	-21.2
Aug-93	-19.2
Sep-93	-19.9
Oct-93	-17.4
Nov-93	-19.4
Dec-93	-13.9
Jan-94	-10.9
Feb-94	-16.7
Mar-94	-9.4
Apr-94	-5.8
May-94	-22.6
Jun-94	-48.4
Jul-94	-54.7
Aug-94	-55.6
Sep-94	-64.2
Oct-94	-35.9
Nov-94	-27.4
Dec-94	-25.3
Jan-95	-20.9
Feb-95	-35.3
Mar-95	-26.7
Apr-95	-32.2
May-95	-18.8
Jun-95	-42.8
Jul-95	-57.2
Aug-95	-50.2
Sep-95	-62.5
Oct-95	-31.6
Nov-95	-19.4
Dec-95	-25.4
Jan-96	-18.6

<b>WATER CONSERVATION – SUMMARY – GROUND WATER</b>
--

**GROUND WATER FLUCTUATION:**

**Location: Coastal Plain, City of Long Beach**  
**Ground Surface Elevation: 26.6 ft above MSL**

STATION	460K
	WS Elev.
Feb-96	-10.3
Mar-96	-11.6
Apr-96	-5.8
May-96	-37.4
Jun-96	-51.8
Jul-96	-62.6
Aug-96	-64.8
Sep-96	-78.9
Oct-96	-70.4
Nov-96	-70.4
Dec-96	-70.4
Jan-97	-8.1
Feb-97	-6.4
Mar-97	-7.8
Apr-97	-44.4
May-97	-74.4
Jun-97	-93.2
Jul-97	-98.8
Aug-97	-101.2
Sep-97	-103.4
Oct-97	-57.1
Nov-97	-45.2
Dec-97	-29.1
Jan-98	-20.2
Feb-98	-24.4
Mar-98	-11.8
Apr-98	-8.1
May-98	-58.5
Jun-98	-86.1
Jul-98	-95.6
Aug-98	-111.5
Sep-98	-113.3
Oct-98	-61.3
Nov-98	-42.2
Dec-98	-21.8
Jan-99	-22.9
Feb-99	-32.2
Mar-99	-14.5
Apr-99	-15.4
May-99	-70.4
Jun-99	-88.4
Jul-99	-96.4
Sep-99	-107.4

**Location: Coastal Plain, City of Long Beach**  
**Ground Surface Elevation: 26.6 ft above MSL**

STATION	460K
	WS Elev.

## WATER CONSERVATION – SUMMARY – GROUND WATER

**GROUND WATER FLUCTUATION:**

Ground Surface Elevation: 50.0 ft above MSL

Location: Coastal Plain

STATION	1346D	1366C	760C
	WS Elev.	WS Elev.	WS Elev.
Feb-57	-83.3		
Mar-57	-92.3		
Apr-57	-92.3		
Aug-57	-85.3		
Sep-57	-89.3		
Oct-57	-92.3		
Nov-57	-91.3		
Dec-57	-89.3		
Jan-58	-89.3		
Feb-58	-88.3		
Mar-58	-88.3		
Apr-58	-87.3		
May-58	-86.3		
Jun-58	-87.3		
Jul-58	-87.3		
Aug-58	-88.3		
Sep-58	-88.3		
Oct-58	-88.3		
Nov-58	-89.3		
Dec-58	-89.3		
Jan-59	-89.3		
Feb-59	-89.3		
Mar-59	-77.3		
Apr-59	-75.3		
May-59	-86.3		
Jun-59	-89.3		
Jul-59	-93.3		
Aug-59	-96.3		
Sep-59	-90.3		
Oct-59	-87.3		
Nov-59	-88.3		
Dec-59	-91.3		
Jan-60	-81.3		
Feb-60	-74.3		
Mar-60	-71.3		
Apr-60	-71.3		
May-60	-83.3		
Jun-60	-93.3		
Jul-60	-95.3		
Aug-60	-94.3		
Sep-60	-91.3		
Oct-60	-88.3		
Nov-60	-87.3		
Dec-60	-82.3		

**GROUND WATER FLUCTUATION:**

Ground Surface Elevation: 50.0 ft above MSL

Location: Coastal Plain

STATION	1346D	1366C	760C
	WS Elev.	WS Elev.	WS Elev.
Jan-61	-74.3		
Feb-61	-75.3		
Mar-61	-72.3		
Apr-61	-72.3		
May-61	-81.3		
Jun-61	-61.8		
Jul-61	-62.3		
Aug-61	-82.3		
Sep-61	-86.3		
Oct-61	-87.3		
Nov-61	-88.3		
Dec-61	-88.3		
Jan-62	-73.3		
Feb-62	-73.3		
Mar-62	-69.3		
Apr-62	-69.3		
May-62	-76.1		
Jun-62	-80.3		
Jul-62	-80.9		
Aug-62	-84.7		
Sep-62	-88		
Oct-62	-87.7		
Nov-62	-87.7		
Dec-62	-88.3		
Feb-63	-78.1		
Mar-63	-77.3		
Apr-63	-77.2		
May-63	-78.7		
Jun-63	-83.1		
Jul-63	-81.6		
Aug-63	-82		
Sep-63	-80.6		
Oct-63	-80.7		
Nov-63	-80.3		
Dec-63	-81.3		
Jan-64	-78.8		-54
Feb-64	-77.5		-58
Mar-64	-78.4		-55
Apr-64	-80.4		-54
May-64	-84.8		-64
Jun-64	-89.4		-64
Jul-64	-93.1		-59
Aug-64	-90		-61
Sep-64	-88.5		-59

## WATER CONSERVATION – SUMMARY – GROUND WATER

**GROUND WATER FLUCTUATION:**

Ground Surface Elevation: 50.0 ft above MSL

Location: Coastal Plain

STATION	1346D	1366C	760C
	WS Elev.	WS Elev.	WS Elev.
Oct-64	-87.6		-64
Nov-64	-91.2		-60.7
Dec-64	-77.6		-54
Jan-65	-80.2		-66
Feb-65	-73.3		-57.2
Mar-65	-73		-54
Apr-65	-73.2		-52.2
May-65	-76.5		-57
Jun-65	-80		-55
Jul-65	-83.5		-53
Aug-65	-89.8		-62
Sep-65	-91.1		-58
Oct-65	-86.1		-60
Nov-65	-87.1		-57
Dec-65	-77.1		-50.2
Jan-66	-77.7		-50
Feb-66	-79.2		-53
Mar-66	-79.1		-52
Apr-66	-80.9		-51
May-66	-90.1		-50
Jun-66	-91		-55
Jul-66	-94.6		-57
Aug-66	-88.7		-53
Sep-66	-85.3		-53
Oct-66	-88		-57
Nov-66	-80.6		-49
Dec-66	-75.9		-50
Jan-67	-74.2		-48
Feb-67	-72.2		-50
Mar-67	-72.9		-45.7
Apr-67	-70.8		-48
May-67	-73.2		-49
Jun-67	-82		-62
Jul-67	-85.9		-63
Aug-67	-87.9		-51.2
Sep-67	-88.4		-48
Oct-67	-88.3		-47.2
Nov-67	-84.9		-47.2
Dec-67	-81.1		-48.2
Jan-68	-76		-49
Feb-68	-73		-49
Mar-68	-71.2		-46
Apr-68	-73.8		-45.2
May-68	-73.9		-45

**GROUND WATER FLUCTUATION:**

Ground Surface Elevation: 50.0 ft above MSL

Location: Coastal Plain

STATION	1346D	1366C	760C
	WS Elev.	WS Elev.	WS Elev.
Jun-68	-80.6		-45
Jul-68	-83		-44
Aug-68	-83.7		-45
Sep-68	-83.1		-45
Oct-68	-75.9		-41.7
Nov-68	-74		-42.2
Dec-68	-73.2		-43.2
Jan-69	-71.9		-44
Feb-69	-74.9		-44
Mar-69	-68.7		-44
Apr-69	-71.5		-40
May-69	-69.8		-45
Jun-69	-72.4		-49
Jul-69	-76.2		-50
Aug-69	-82.6		-50
Sep-69	-83.7		-52
Oct-69	-87.3		-43
Nov-69	-82		-43
Dec-69	-73.5		-43
Jan-70	-68.3		-42
Feb-70	-71.1		-39
Mar-70	-69		-38.2
Apr-70	-74.8		-39.3
May-70	-74.8		-42
Jun-70	-78.5		-40
Jul-70	-86		-40
Aug-70	-83.1		-41
Sep-70	-83.2		-44
Oct-70	-84.5		-43
Nov-70	-84		-41.2
Dec-70	-81		-41.2
Jan-71	-81.7		-43.2
Feb-71	-82.2		-38.2
Mar-71	-80.8		-42.2
Apr-71	-81.8		-36.2
May-71	-80		-37.2
Jun-71	-78.9		-44.2
Jul-71	-80		
Aug-71	-81.3		
Sep-71	-80.2		
Oct-71	-79.6		-42.2
Nov-71	-78.4		-40.2
Dec-71	-77.6		
Jan-72	-77.2		

**WATER CONSERVATION – SUMMARY – GROUND WATER****GROUND WATER FLUCTUATION:**

Ground Surface Elevation: 50.0 ft above MSL

Location: Coastal Plain

STATION	1346D	1366C	760C
	WS Elev.	WS Elev.	WS Elev.
Feb-72	-75.6		-41.2
Mar-72	-70.6		-41.2
Apr-72	-73.5		-40.2
May-72	-76.4		-38.2
Jun-72	-73.2		-37.2
Jul-72	-72.3		-38.2
Aug-72	-72.7		-39.2
Sep-72	-76		-39.2
Oct-72	-78.4		
Nov-72	-78		
Dec-72	-74.7		
Jan-73	-76.3		-40.2
Feb-73	-75.4		-38.2
Mar-73	-74.2		-37.2
Apr-73	-70.7		-37.2
May-73	-71		
Jun-73	-68.5		
Jul-73	-69.4		
Aug-73	-70.4		-37.2
Sep-73	-69.9		
Oct-73	-68.9		-37.2
Dec-73	-60.9		
Jan-74	-60		
Feb-74	-58.2		-33.2
Mar-74	-57.7		-38.2
Apr-74	-57.2		-37.2
May-74	-56.9		-37.2
Jun-74	-59.2		-34.2
Jul-74	-61.4		-35.2
Aug-74	-63.9		-35.2
Sep-74	-70		-34.2
Oct-74	-62.1		-33.2
Nov-74	-69		-33.2
Dec-74	-63		-35.2
Jan-75	-63		-36.2
Feb-75	-61		-36.2
Mar-75	-59		-36.2
Apr-75	-58		-38.2
May-75	-52.5		
Jun-75	-53.9		-39.2
Jul-75	-58		-39.2
Aug-75	-62		-36.2
Sep-75	-63		-39.2
Oct-75	-62		-36.2

**GROUND WATER FLUCTUATION:**

Ground Surface Elevation: 50.0 ft above MSL

Location: Coastal Plain

STATION	1346D	1366C	760C
	WS Elev.	WS Elev.	WS Elev.
Nov-75	-57.5		-35.2
Dec-75	-62		-35.2
Jan-76	-62		-35.2
Feb-76	-62		-37.2
Mar-76	-63		-38.2
Apr-76	-62		-42.2
May-76	-59		-37.2
Jun-76	-62		-37.2
Jul-76	-61		-37.2
Aug-76	-63		-37.2
Sep-76	-63		-37.2
Oct-76	-62		-35.2
Nov-76	-53.4		-36.1
Dec-76	-62		-33.2
Jan-77	-60		-32.2
Feb-77	-61		-32.2
Mar-77	-49		-32.2
Apr-77	-60		-32.2
May-77	-55		-34.2
Jun-77	-56		-34.2
Jul-77	-58		-37.2
Aug-77	-62		-37.2
Sep-77	-62		-37.2
Oct-77	-54.1		-35.4
Nov-77	-51.2		
Dec-77	-53.5		
Jan-78	-51.5		
Feb-78	-57.8		
Mar-78	-69.7		
Apr-78	-58.4		-32.2
May-78	-71.6		
Jun-78	-82.1		
Oct-78	-98.7		-33.2
Jan-79	-91.3		
Feb-79	-97.3		
Mar-79	-99.3		
Apr-79	-80.7		
May-79	-99.3		
Jun-79	-79.3		
Jul-79	-76.3		
Aug-79	-81.3		-43
Sep-79	-83.3		-40
Oct-79	-97.3		-36
Nov-79	-104		-36

**WATER CONSERVATION – SUMMARY – GROUND WATER****GROUND WATER FLUCTUATION:**

Ground Surface Elevation: 50.0 ft above MSL

Location: Coastal Plain

STATION	1346D	1366C	760C
	WS Elev.	WS Elev.	WS Elev.
Dec-79			-37
Jan-80			-34
Feb-80			-34
Mar-80			-34
Apr-80	-78.3		-42.2
May-80	-79.3		-34
Jun-80	-79.3		-34
Jul-80	-79.3		-37
Aug-80	-91.3		-37
Sep-80	-89.3		-37
Oct-80	-93.3		-38
Nov-80	-92.3		-38
Dec-80	-89.3		-38
Jan-81	-77.3		-35
Feb-81	-73.3		-34
Mar-81	-79.3		-34
Apr-81	-79.3		-33.2
May-81	-81.3		-34
Jun-81	-79.3		
Jul-81	-78.3		-28
Aug-81	-77.3		-30
Sep-81	-79.3		-32
Oct-81	-87.3		-31.2
Nov-81	-91.3		-34
Dec-81	-93.3		-34
Jan-82	-97.3		-34
Feb-82	-96.3		-34
Mar-82	-95.3		-35
Apr-82	-97.3		-34.2
May-82	-97.3		-38
Jun-82	-98.3		
Jul-82	-101		-37
Aug-82	-87.3		-37
Sep-82	-83.3		-37
Oct-82	-83.3		-35.2
Nov-82	-90.3		-38
Dec-82	-85.3		-38
Jan-83	-80.3		-37
Feb-83	-87.3		-38
Mar-83	-90.3		-38
Apr-83	-85.3		-37
May-83	-83.3		-36.2
Jun-83	-91.3		-30.2
Jul-83	-89.3		-39.2

**GROUND WATER FLUCTUATION:**

Ground Surface Elevation: 50.0 ft above MSL

Location: Coastal Plain

STATION	1346D	1366C	760C
	WS Elev.	WS Elev.	WS Elev.
Aug-83	-91.3		
Sep-83	-83.3		
Oct-83	-91.3		-37.2
Nov-83	-89.3		-36.2
Dec-83	-79.3		-27.2
Jan-84	-68.3		-30.2
Feb-84	-63.3		-30.2
Mar-84	-73.3		
Apr-84	-79.3		-27.2
May-84	-83.3		-29.2
Jun-84	-83.3		-29.2
Jul-84	-85.3		
Aug-84	-89.3		-32.2
Sep-84	-83.3		-31.2
Oct-84	-85.3		-31.2
Nov-84	-85.3		
Dec-84	-80.3		-30.2
Jan-85	-83.3		-31.2
Feb-85	-63.3		
Mar-85	-67.3		-31.2
Apr-85	-69.3		-31.2
May-85	-69.3		-31.2
Jun-85	-71.3		-27.2
Jul-85	-69.3		-26.2
Aug-85	-67.3		-22.2
Sep-85	-69.3		-24.2
Oct-85	-71.3		-24.2
Nov-85	-75.3		-33
Dec-85	-79.3		-34
Jan-86	-77.3		-24
Feb-86	-75.3		-22.5
Mar-86	-76.3		-23
Apr-86	-77.3		-25
May-86	-77.3		-26
Jun-86	-89.3		-24
Jul-86	-95.3		-31
Aug-86	-90.3		-32
Sep-86	-90.3		-31
Oct-86	-88.3		-29
Nov-86	-87.3		-36
Dec-86	-75.3		-27
Jan-87	-66.3		-25
Apr-87	-65.3		
May-87	-72.3		



**WATER CONSERVATION – SUMMARY – GROUND WATER****GROUND WATER FLUCTUATION:**

Ground Surface Elevation: 50.0 ft above MSL

Location: Coastal Plain

STATION	1346D	1366C	760C
	WS Elev.	WS Elev.	WS Elev.
Jun-87	-76.3		
Jul-87	-79.3		
Aug-87	-78.3		
Sep-87	-76.3		
Oct-87	-69.3		
Nov-87	-68.3		-25.6
Dec-87	-68.3		-27
Jan-88	-65.8		-25.8
Feb-88	-66.1		-24.3
Mar-88	-59.1		
Apr-88	-57.6		-23.3
May-88	-55.3		-16.6
Jun-88	-52.3		-26.3
Jul-88	-52.3		-25
Aug-88	-51.3		-26.8
Sep-88	-51.3		-28
Oct-88	-52.4		-25
Nov-88	-51.3		-25
Dec-88	-49.3		-24
Jan-89	-52.3		-19
Feb-89			-23
Mar-89	-60.1		-24.8
Apr-89	-63.8		-26.3
May-89	-70.6		-25
Jun-89	-71.3		-24
Jul-89	-69.3		-30
Aug-89	-66.8		-24
Sep-89	-66.8		-24
Oct-89	-60.4		-24
Mar-92	-80.3		-28.2
Apr-92	-86.8	-54.7	-27.2
May-92			-28.2
Jun-92			-26.2
Jul-92			-28.2
Aug-92			-28.2
Sep-92			-30.2
Oct-92		-41.7	-31.2
Nov-92			-22.2
Dec-92			-25.2
Jan-93			-23.2
Feb-93			-22.2
Mar-93			-25.2
Apr-93		-55.7	-25.2
May-93			-26.2

**GROUND WATER FLUCTUATION:**

Ground Surface Elevation: 50.0 ft above MSL

Location: Coastal Plain

STATION	1346D	1366C	760C
	WS Elev.	WS Elev.	WS Elev.
Nov-89	-62.3		-27.2
Dec-89	-62.3		-24
Jan-90	-62.3		-22.2
Feb-90	-62.3		-23.2
Mar-90	-60.3		-23.2
Apr-90	-62.4		-26.2
May-90	-61.3		-23.2
Jun-90	-61.3		-24.2
Jul-90	-61.3		-21.2
Aug-90	-61.3		-24.2
Sep-90	-61.3		-26.2
Oct-90	-61.3		-24.2
Nov-90	-61.3		-23.2
Dec-90	-61.3		-21.2
Jan-91	-66.3		-17.2
Feb-91	-52.3		-17.2
Mar-91	-56.6		-24.2
Apr-91	-58.3		-23.2
May-91	-63.3		-24.2
Jun-91	-67.3		-25.2
Jul-91	-68.6		-28.2
Aug-91	-72.3		-28.2
Sep-91	-79.3	-61.7	-24.2
Oct-91	-80.3	-55.7	-25.2
Nov-91	-80.8		-26.2
Dec-91			-28.2
Jan-92			-25.2
Feb-92	-68.3		-25.2

Jun-93		-96.2	-27.2
Jul-93			-30.2
Aug-93		-47.7	-25.2
Sep-93		-73.7	-23.2
Oct-93		-42	-25.2
Nov-93		-53.2	-16.2
Dec-93		-46	-17.2
Jan-94		-33.2	-14.2
Feb-94		-34.7	-17.2
Mar-94		-36.7	-16.2
Apr-94		-51.7	-18.2
May-94		-43.7	-21
Jun-94			-23.2
Jul-94		-57.7	-26.2

<b>WATER CONSERVATION – SUMMARY – GROUND WATER</b>
--

**GROUND WATER FLUCTUATION:**

Ground Surface Elevation: 50.0 ft above MSL

Location: Coastal Plain

STATION	1346D	1366C	760C
	WS Elev.	WS Elev.	WS Elev.
Aug-94		-58.7	-25.2
Sep-94		-27.7	-18.2
Oct-94		-44.7	-18.2
Nov-94			-18.2
Dec-94			-17.2
Jan-95			-17.2
Apr-95			-18.2
May-95			-19.2
Jun-95			-24.2
Jul-95			-23.2
Aug-95			-23.2
Oct-95			-16.7
Apr-96			-24.2
Apr-97			-22.2
Oct-97			-18.2
Mar-98			-20.2
Jul-98			-22.2
Oct-98			-24.2
Nov-98			-23.2
Jan-99			-21.2
Apr-99			-24.2
May-99			-23.2
Aug-99			-27.2

**GROUND WATER FLUCTUATION:**

Ground Surface Elevation: 50.0 ft above MSL

Location: Coastal Plain

STATION	1346D	1366C	760C
	WS Elev.	WS Elev.	WS Elev.

**WATER CONSERVATION – SUMMARY – GROUND WATER**

**GROUND WATER FLUCTUATION:**

**Location: Coastal Plain, City of Long Beach**  
**Ground Surface Elevation: 88.8 ft above MSL**

STATION	906D
	WS Elev.
Jan-51	-42.1
Feb-51	-40.4
Mar-51	-41.7
Apr-51	-46.7
May-51	-48.5
Jun-51	-52
Jul-51	-59
Aug-51	-66.2
Sep-51	-70.4
Oct-51	-70.4
Nov-51	-69.6
Dec-51	-65.5
Jan-52	-59.2
Feb-52	-56.2
Mar-52	-54.1
Apr-52	-52.1
May-52	-49.2
Jun-52	-49.5
Jul-52	-53.5
Aug-52	-63.2
Sep-52	-68
Oct-52	-70.6
Nov-52	-70.1
Dec-52	-63.5
Jan-53	-51.2
Feb-53	-45.4
Mar-53	-47.6
Apr-53	-52.6
May-53	-50.6
Jun-53	-65.3
Jul-53	-73.1
Aug-53	-79.4
Sep-53	-81.8
Oct-53	-81.3
Nov-53	-76.5
Dec-53	-72.9
Jan-54	-67.7
Feb-54	-63
Mar-54	-56.9
Apr-54	-53.8
May-54	-53.3
Jun-54	-58.9
Jul-54	-65.4
Aug-54	-76.1
Sep-54	-82.6

**GROUND WATER FLUCTUATION:**

**Location: Coastal Plain, City of Long Beach**  
**Ground Surface Elevation: 88.8 ft above MSL**

STATION	906D
	WS Elev.
Oct-54	-83.8
Nov-54	-80.5
Dec-54	-73.3
Jan-55	-66.1
Feb-55	-62.2
Mar-55	-60.7
Apr-55	-59.4
May-55	-61.5
Jun-55	-64.2
Jul-55	-69.2
Aug-55	-75.8
Sep-55	-82
Oct-55	-85.6
Nov-55	-83.8
Dec-55	-79.9
Jan-56	-69
Feb-56	-66.7
Mar-56	-66.7
Apr-56	-72.5
May-56	-74.3
Jun-56	-100
Jul-56	-87.6
Aug-56	-92.1
Sep-56	-98.8
Oct-56	-101.5
Nov-56	-102.5
Dec-56	-103
Jan-57	-99.9
Feb-57	-89.7
Mar-57	-80.8
Apr-57	-75
May-57	-83.5
Jun-57	-84.7
Jul-57	-96.7
Aug-57	-103
Sep-57	-106.7
Oct-57	-107.6
Nov-57	-101.2
Dec-57	-97
Jan-58	-90.2
Feb-58	-87.7
Mar-58	-82.9
Apr-58	-77.5
May-58	-81.5
Jun-58	-87.6

**WATER CONSERVATION – SUMMARY – GROUND WATER****GROUND WATER FLUCTUATION:**

**Location: Coastal Plain, City of Long Beach**  
**Ground Surface Elevation: 88.8 ft above MSL**

STATION	906D
	WS Elev.
Jul-58	-94.8
Aug-58	-98.3
Sep-58	-98.7
Oct-58	-100
Nov-58	-98.2
Dec-58	-93.1
Jan-59	-89
Feb-59	-83.3
Mar-59	-85.4
Apr-59	-86.1
May-59	-86.6
Jun-59	-89.2
Jul-59	-92.7
Aug-59	-97.4
Sep-59	-101
Oct-59	-104.4
Nov-59	-104.5
Dec-59	-104.8
Jan-60	-101.4
Feb-60	-96.8
Mar-60	-96.6
Apr-60	-95.2
May-60	-90.8
Jun-60	-87.6
Jul-60	-91.8
Aug-60	-104.2
Sep-60	-92.5
Oct-60	-106.9
Nov-60	-108
Dec-60	-99.4
Jan-61	-94.2
Feb-61	-90.8
Mar-61	-92.8
Apr-61	-94.9
May-61	-90.8
Jun-61	-111.3
Jul-61	-119.2
Aug-61	-125.6
Sep-61	-128.7
Oct-61	-124.9
Nov-61	-118.6
Dec-61	-109.5
Jan-62	-100.6
Feb-62	-94.3
Mar-62	-88.7

**GROUND WATER FLUCTUATION:**

**Location: Coastal Plain, City of Long Beach**  
**Ground Surface Elevation: 88.8 ft above MSL**

STATION	906D
	WS Elev.
Apr-62	-87.6
May-62	-97.3
Jun-62	-103.5
Jul-62	-107.3
Aug-62	-116.6
Sep-62	-121.4
Oct-62	-117.4
Nov-62	-97.6
Dec-62	-83.7
Jan-63	-74.6
Feb-63	-68.6
Mar-63	-65.3
Apr-63	-62.9
May-63	-58
Jun-63	-60.6
Jul-63	-61.3
Aug-63	-79.2
Sep-63	-82.8
Oct-63	-74.4
Nov-63	-63.5
Dec-63	-57.3
Jan-64	-53.2
Feb-64	-51.3
Mar-64	-47.1
Apr-64	-45.6
May-64	-45.8
Jun-64	-45.9
Jul-64	-54.1
Aug-64	-63.4
Sep-64	-78.1
Oct-64	-68.9
Nov-64	-56.9
Dec-64	-56.9
Jan-65	-52.2
Feb-65	-50.7
Mar-65	-49.7
Apr-65	-49.4
May-65	-48.3
Jun-65	-50.7
Jul-65	-54.9
Aug-65	-56.7
Sep-65	-62.5
Oct-65	-60.1
Nov-65	-61.2
Dec-65	-59.2

**WATER CONSERVATION – SUMMARY – GROUND WATER**

**GROUND WATER FLUCTUATION:**

**Location: Coastal Plain, City of Long Beach**  
**Ground Surface Elevation: 88.8 ft above MSL**

STATION	906D
	WS Elev.
Jan-66	-53.3
Feb-66	-49.9
Mar-66	-42.6
Apr-66	-43.2
May-66	-46.8
Jun-66	-52.3
Jul-66	-59.2
Aug-66	-69.1
Sep-66	-69.4
Oct-66	-69.4
Nov-66	-60.2
Dec-66	-53.6
Jan-67	-49.3
Feb-67	-44.8
Mar-67	-42.3
Apr-67	-40.7
May-67	-38.4
Jun-67	-38.8
Jul-67	-40.6
Aug-67	-46.7
Sep-67	-56
Oct-67	-52
Nov-67	-50.7
Dec-67	-45.8
Jan-68	-34.3
Feb-68	-37
Mar-68	-40.8
Apr-68	-38.7
May-68	-42.3
Jun-68	-49.4
Jul-68	-53.1
Aug-68	-65.5
Sep-68	-71
Oct-68	-63.6
Nov-68	-60.1
Dec-68	-54.7
Jan-69	-49.6
Feb-69	-47.2
Mar-69	-43.8
Apr-69	-34.9
May-69	-42.3
Jun-69	-48.9
Jul-69	-56.4
Aug-69	-66.1
Sep-69	-75.7

**GROUND WATER FLUCTUATION:**

**Location: Coastal Plain, City of Long Beach**  
**Ground Surface Elevation: 88.8 ft above MSL**

STATION	906D
	WS Elev.
Oct-69	-74
Nov-69	-68.9
Dec-69	-65.1
Jan-70	-55.8
Feb-70	-39
Mar-70	-29.1
Apr-70	-26.9
May-70	-30.8
Jun-70	-33.1
Jul-70	-32
Aug-70	-34
Sep-70	-52.7
Oct-70	-57.6
Nov-70	-50.5
Dec-70	-41.9
Jan-71	-33.5
Feb-71	-31.6
Mar-71	-32.8
Apr-71	-36.1
May-71	-36.8
Jun-71	-39.6
Jul-71	-46.8
Aug-71	-55.6
Sep-71	-63.8
Oct-71	-62.7
Nov-71	-60.8
Dec-71	-53.3
Jan-72	-48.9
Feb-72	-36
Mar-72	-30.5
Apr-72	-31.8
May-72	-32.3
Jun-72	-40.4
Jul-72	-47.8
Aug-72	-59.9
Sep-72	-68.2
Oct-72	-66.9
Nov-72	-59.2
Dec-72	-47.7
Jan-73	-41.9
Feb-73	-36.4
Mar-73	-30.5
Apr-73	-28.3
May-73	-32.7
Jun-73	-44.6

## WATER CONSERVATION – SUMMARY – GROUND WATER

**GROUND WATER FLUCTUATION:**

**Location: Coastal Plain, City of Long Beach**  
**Ground Surface Elevation: 88.8 ft above MSL**

STATION	906D
	WS Elev.
Jul-73	-55.5
Aug-73	-59.5
Sep-73	-63.7
Oct-73	-62.7
Nov-73	-60.6
Dec-73	-54.7
Jan-74	-49
Feb-74	-44.4
Mar-74	-43
Apr-74	-40.7
May-74	-43.6
Jun-74	-47.3
Jul-74	-50.2
Aug-74	-55
Sep-74	-57.5
Oct-74	-59.7
Nov-74	-59.3
Dec-74	-55.1
Jan-75	-48.1
Feb-75	-46
Mar-75	-41.9
Apr-75	-39.7
May-75	-36.4
Jun-75	-38.4
Jul-75	-44.4
Aug-75	-57.9
Sep-75	-63.5
Oct-75	-66.6
Nov-75	-67.4
Dec-75	-65
Jan-76	-62.9
Feb-76	-64.2
Mar-76	-61.5
Apr-76	-60.7
May-76	-61.3
Jun-76	-65.1
Jul-76	-75.7
Aug-76	-77.5
Sep-76	-81.6
Oct-76	-80.4
Nov-76	-83.2
Dec-76	-82.8
Jan-77	-80.4
Feb-77	-74.5
Mar-77	-71.4

**GROUND WATER FLUCTUATION:**

**Location: Coastal Plain, City of Long Beach**  
**Ground Surface Elevation: 88.8 ft above MSL**

STATION	906D
	WS Elev.
Apr-77	-72.7
May-77	-77.8
Jun-77	-71.3
Jul-77	-79.6
Aug-77	-90.3
Sep-77	-89.9
Oct-77	-90.7
Nov-77	-88.6
Dec-77	-79.4
Jan-78	-81.1
Feb-78	-71.5
Mar-78	-64.2
Apr-78	-57
May-78	-57.3
Jun-78	-63
Jul-78	-70.4
Aug-78	-81.7
Sep-78	-88.8
Oct-78	-91.7
Nov-78	-83.4
Dec-78	-77.3
Jan-79	-68.1
Feb-79	-59.2
Mar-79	-53.2
Apr-79	-48.5
May-79	-51.3
Jun-79	-57.3
Jul-79	-71.2
Aug-79	-81.8
Sep-79	-89.4
Oct-79	-88.3
Nov-79	-86.8
Dec-79	-88.3
Jan-80	-77.1
Feb-80	-66.9
Mar-80	-60.4
Apr-80	-58.1
May-80	-56.1
Jun-80	-59.4
Jul-80	-71.9
Aug-80	-81.1
Sep-80	-87.8
Oct-80	-89.4
Nov-80	-90.2
Dec-80	-89.8

**WATER CONSERVATION – SUMMARY – GROUND WATER****GROUND WATER FLUCTUATION:**

**Location: Coastal Plain, City of Long Beach**  
**Ground Surface Elevation: 88.8 ft above MSL**

STATION	906D
	WS Elev.
Jan-81	-79.5
Feb-81	-58.6
Mar-81	-51.1
Apr-81	-51.3
May-81	-50.1
Jun-81	-54.4
Jul-81	-61.5
Aug-81	-67.4
Sep-81	-80.6
Oct-81	-77.6
Nov-81	-73.4
Dec-81	-64.9
Jan-82	-63.2
Feb-82	-45.5
Mar-82	-45.5
Apr-82	-45.6
May-82	-47.2
Jun-82	-48
Jul-82	-59.3
Aug-82	-73.6
Sep-82	-76.3
Oct-82	-75.3
Dec-82	-60.8
Jan-83	-52.7
Feb-83	-51.2
Mar-83	-43.8
Apr-83	-45.9
May-83	-44.9
Jun-83	-53.9
Jul-83	-53.9
Aug-83	-59.3
Sep-83	-48.3
Oct-83	-48.5
Nov-83	-35.8
Dec-83	-25.7
Jan-84	-9.8
Feb-84	-16.2
Mar-84	-10.9
Apr-84	-22.8
May-84	-28.3
Jun-84	-39.5
Jul-84	-48.2
Aug-84	-50.8
Sep-84	-55
Oct-84	-54.5

**GROUND WATER FLUCTUATION:**

**Location: Coastal Plain, City of Long Beach**  
**Ground Surface Elevation: 88.8 ft above MSL**

STATION	906D
	WS Elev.
Nov-84	-50.9
Dec-84	-42.6
Jan-85	-32.8
May-85	-34.2
Jun-85	-39.6
Jul-85	-45.5
Aug-85	-48.8
Sep-85	-47.7
Oct-85	-47.2
Nov-85	-46.3
Dec-85	-43.2
Jan-86	-30.4
Mar-86	-27.7
Apr-86	-35.7
May-86	-37.6
Jun-86	-40.2
Jul-86	-46
Aug-86	-50.5
Sep-86	-54.8
Oct-86	-51.2
Nov-86	-49.2
Dec-86	-48.5
Jan-87	-45.5
Feb-87	-40.1
Mar-87	-34.8
Apr-87	-39.2
May-87	-41.1
Jun-87	-41.7
Jul-87	-43.5
Aug-87	-49.3
Sep-87	-52
Oct-87	-54.6
Nov-87	-52.6
Dec-87	-49.8
Jan-88	-41.6
Feb-88	-37.8
Mar-88	-38
Apr-88	-41.7
May-88	-45.4
Jun-88	-45.4
Jul-88	-53.6
Aug-88	-63.1
Sep-88	-63.8
Oct-88	-64
Nov-88	-64

**WATER CONSERVATION – SUMMARY – GROUND WATER**

**GROUND WATER FLUCTUATION:**

**Location: Coastal Plain, City of Long Beach**  
**Ground Surface Elevation: 88.8 ft above MSL**

STATION	906D
	WS Elev.
Dec-88	-73.4
Jan-89	-57.4
Feb-89	-56.6
Mar-89	-59
Apr-89	-58.9
May-89	-61
Jun-89	-61
Jul-89	-71
Aug-89	-65
Sep-89	-67.5
Oct-89	-65
Nov-89	-52.9
Dec-89	-49
Jan-90	-47.1
Feb-90	-45.8
Mar-90	-47.4
Apr-90	-36.1
May-90	-35.9
Jun-90	-57.1
Jul-90	-65.7
Aug-90	-75.5
Sep-90	-71.3
Oct-90	-70.8
Nov-90	-55.9
Dec-90	-39.2
Jan-91	-29.2
Feb-91	-32.2
Mar-91	-32.1
Apr-91	-58.2
May-91	-30
Jun-91	-61.1
Jul-91	-65.3
Aug-91	-61.5
Oct-91	-61.5
Nov-91	-54.5
Dec-91	-49.6
Jan-92	-41.1
Feb-92	-43
Mar-92	-36.4
Apr-92	-34.8
May-92	-38.6
Jun-92	-48.4
Jul-92	-57.3
Aug-92	-60.8
Sep-92	-54

**GROUND WATER FLUCTUATION:**

**Location: Coastal Plain, City of Long Beach**  
**Ground Surface Elevation: 88.8 ft above MSL**

STATION	906D
	WS Elev.
Oct-92	-51.5
Nov-92	-56.8
Dec-92	-59.2
Jan-93	-58.3
Feb-93	-58.2
Mar-93	-56.6
Apr-93	-30.4
May-93	-47
Jun-93	-34.6
Jul-93	-25.3
Aug-93	-17.7
Sep-93	-16.7
Oct-93	-14.8
Nov-93	-13.2
Dec-93	-8.7
Jan-94	-5.4
Feb-94	-8.5
Mar-94	-2
Apr-94	-0.5
Jun-94	-22.8
Jul-94	-37.7
Aug-94	-42.4
Sep-94	-48.1
Oct-94	-41.3
Nov-94	-26.5
Dec-94	-15.6
Jan-95	-13.2
Feb-95	-19.3
Mar-95	-21.2
Apr-95	-23.1
May-95	-27.3
Jun-95	-23.4
Jul-95	-30.2
Aug-95	-33
Sep-95	-35.9
Oct-95	-31.4
Nov-95	-19.5
Dec-95	-12.7
Jan-96	-8.9
Feb-96	-6.1
Mar-96	-0.7
Apr-96	8.2
May-96	-7.1
Jun-96	-19.7
Jul-96	-30.8



## WATER CONSERVATION – SUMMARY – GROUND WATER

**GROUND WATER FLUCTUATION:**

**Location: Coastal Plain, City of Long Beach**  
**Ground Surface Elevation: 88.8 ft above MSL**

STATION	906D
	WS Elev.
Aug-96	-41
Sep-96	-49
Oct-96	-38
Nov-96	-22.2
Dec-96	-48.2
Jan-97	-5.4
Feb-97	-1.4
Mar-97	3.2
Apr-97	-2.1
May-97	-33.2
Jun-97	-52
Jul-97	-66.2
Aug-97	-73.7
Sep-97	-80.7
Oct-97	-65.4
Nov-97	-53.5
Dec-97	-36.5
Jan-98	-28
Feb-98	-19.2
Mar-98	-11.4
Apr-98	-6.5
May-98	-15.2
Jun-98	-45.8
Jul-98	-56.5
Aug-98	-71
Sep-98	-74.6
Oct-98	-67.4
Nov-98	-50.7
Dec-98	-30.2
Feb-99	-17.2
Mar-99	-11.2
Apr-99	-7
May-99	-20.7
Jun-99	-43.2
Jul-99	-63.7
Sep-99	-80.8

**GROUND WATER FLUCTUATION:**

**Location: Coastal Plain, City of Long Beach**  
**Ground Surface Elevation: 88.8 ft above MSL**

STATION	906D
	WS Elev.

**WATER CONSERVATION – SUMMARY – GROUND WATER**
**GROUND WATER FLUCTUATION:****Location: Central Basin****Ground Surface Elevation: 159.7 ft above MSL**

STATION	1601T
	WS Elev.
Jul-64	91.8
Aug-64	89
Sep-64	80
Oct-64	75
Nov-64	75.5
Dec-64	84.3
Jan-65	109.2
Feb-65	102.8
Mar-65	105.4
Apr-65	110
May-65	109.6
Jun-65	115.2
Jul-65	114.3
Aug-65	110.4
Sep-65	102
Oct-65	98.5
Nov-65	101.6
Dec-65	104.4
Jan-66	109.2
Feb-66	114.3
Mar-66	116.9
Apr-66	118.1
May-66	120.8
Jun-66	120.8
Jul-66	118.7
Aug-66	112.2
Sep-66	109
Oct-66	112
Nov-66	115.8
Dec-66	115.7
Jan-67	120.9
Feb-67	120.4
Mar-67	120.4
Apr-67	120.4
May-67	123.9
Jun-67	124.3
Jul-67	119.1
Aug-67	112.4
Sep-67	106.2
Oct-67	109.8
Nov-67	113.1
Dec-67	114.9
Jan-68	115.9
Feb-68	116.3
Mar-68	114.4

**Location: Central Basin****Ground Surface Elevation: 159.7 ft above MSL**

STATION	1601T
	WS Elev.
Apr-68	115.3
May-68	114.7
Jun-68	113.5
Jul-68	111.6
Aug-68	108.7
Sep-68	105.9
Oct-68	109.4
Nov-68	113
Dec-68	112
Jan-69	107.2
Feb-69	111
Mar-69	116
Apr-69	120.9
May-69	121.7
Jun-69	120.6
Jul-69	119.7
Aug-69	116.7
Sep-69	112.6
Oct-69	107.9
Nov-69	104.7
Dec-69	109.6
Jan-70	113.8
Feb-70	115.3
Mar-70	119.5
Apr-70	121.7
May-70	117.8
Jun-70	113.8
Jul-70	111.1
Aug-70	106.8
Sep-70	103.9
Oct-70	101.3
Nov-70	106.9
Dec-70	112.5
Jan-71	117
Feb-71	115.9
Mar-71	117.3
Apr-71	117
May-71	113.3
Jun-71	110.7
Jul-71	107.4
Aug-71	106.2
Sep-71	102.6
Oct-71	100.6
Nov-71	100.8

**WATER CONSERVATION – SUMMARY – GROUND WATER**
**GROUND WATER FLUCTUATION:****Location: Central Basin****Ground Surface Elevation: 159.7 ft above MSL**

STATION	1601T
	WS Elev.
Dec-71	103
Jan-72	107
Feb-72	109.5
Mar-72	105.8
Apr-72	98.7
May-72	94.6
Jun-72	90.1
Jul-72	86.2
Aug-72	80.3
Sep-72	76.3
Oct-72	73.2
Nov-72	71.1
Dec-72	75.8
Jan-73	83
Feb-73	88.7
Mar-73	97.9
Apr-73	103.1
May-73	101.9
Jun-73	104.1
Jul-73	105.5
Aug-73	106.4
Sep-73	107.1
Oct-73	103.7
Nov-73	104.4
Dec-73	106
Jan-74	109.3
Feb-74	105.7
Mar-74	108.7
Apr-74	111.7
May-74	112.8
Jun-74	111.8
Jul-74	108.2
Aug-74	105.1
Sep-74	102.6
Oct-74	101.4
Nov-74	99.7
Dec-74	100
Jan-75	101.7
Feb-75	101.7
Mar-75	103.4
Apr-75	105.7
May-75	103.7
Jun-75	104.1
Jul-75	104.8
Aug-75	100.9

**Location: Central Basin****Ground Surface Elevation: 159.7 ft above MSL**

STATION	1601T
	WS Elev.
Sep-75	96.7
Oct-75	93.4
Nov-75	91.4
Dec-75	90.1
Jan-76	89.3
Feb-76	89.7
Mar-76	95.3
Apr-76	93
May-76	93.6
Jun-76	84.3
Jul-76	88.3
Aug-76	85.5
Sep-76	77.9
Oct-76	77.7
Nov-76	74.1
Dec-76	69.8
Jan-77	69.2
Feb-77	79.8
Mar-77	89
Apr-77	87.6
May-77	81.7
Jun-77	80.2
Jul-77	74.9
Aug-77	70.2
Sep-77	67.1
Oct-77	64.5
Nov-77	61.7
Dec-77	59
Jan-78	65.2
Feb-78	81.7
Mar-78	91.8
Apr-78	96.8
May-78	101.5
Jun-78	103.4
Jul-78	101.2
Aug-78	101.4
Sep-78	101.1
Oct-78	102.8
Nov-78	104.6
Dec-78	107.8
Jan-79	111.4
Feb-79	114.4
Mar-79	115.3
Apr-79	116.4
May-79	113.5

## WATER CONSERVATION – SUMMARY – GROUND WATER

**GROUND WATER FLUCTUATION:****Location: Central Basin****Ground Surface Elevation: 159.7 ft above MSL**

STATION	1601T
	WS Elev.
Jun-79	114.5
Jul-79	111.4
Aug-79	112
Sep-79	113.1
Oct-79	113.7
Nov-79	112.7
Dec-79	114.1
Jan-80	113.4
Feb-80	117.4
Mar-80	119.9
Apr-80	123
May-80	122.5
Jun-80	121.3
Jul-80	119
Aug-80	113.6
Sep-80	108.8
Oct-80	107
Nov-80	109
Dec-80	112
Jan-81	114.2
Feb-81	115.1
Mar-81	115.9
Apr-81	116.4
May-81	115.5
Jun-81	114.2
Jul-81	111.6
Aug-81	110.5
Sep-81	110.8
Oct-81	110.6
Nov-81	109
Dec-81	108.6
Jan-82	111.2
Feb-82	114.5
Mar-82	115.1
Apr-82	117.3
May-82	115
Jun-82	110.4
Jul-82	107.9
Aug-82	104.7
Sep-82	100.3
Oct-82	103.1
Nov-82	108.3
Dec-82	113.6
Jan-83	115.3
Feb-83	117

**Location: Central Basin****Ground Surface Elevation: 159.7 ft above MSL**

STATION	1601T
	WS Elev.
Mar-83	120.4
Apr-83	123.5
May-83	124.5
Jun-83	122.9
Jul-83	122.4
Aug-83	122.5
Sep-83	117.6
Oct-83	116.1
Nov-83	121.1
Dec-83	122.7
Jan-84	123.7
Feb-84	120.5
Mar-84	116
Apr-84	117.6
May-84	120.9
Jun-84	121.6
Jul-84	120.2
Aug-84	114.2
Sep-84	109.4
Oct-84	104.5
Nov-84	99.8
Jan-85	113.4
Feb-85	113.4
May-85	119.3
Jun-85	119.2
Jul-85	117.8
Aug-85	110.2
Sep-85	104.6
Oct-85	99.5
Nov-85	95.9
Dec-85	97.6
Jan-86	98.1
Feb-86	101.7
Mar-86	111.2
Apr-86	115.9
May-86	117.8
Jun-86	119.2
Jul-86	113.7
Aug-86	105.8
Sep-86	102
Oct-86	100.8
Nov-86	98.6
Dec-86	99.5
Jan-87	105.3
Feb-87	108.6

**WATER CONSERVATION – SUMMARY – GROUND WATER**
**GROUND WATER FLUCTUATION:****Location: Central Basin****Ground Surface Elevation: 159.7 ft above MSL**

STATION	1601T
	WS Elev.
Mar-87	111
Apr-87	111.5
May-87	110.8
Jun-87	108.1
Jul-87	101.1
Aug-87	98.2
Sep-87	96.5
Oct-87	98.2
Nov-87	99.5
Dec-87	102.5
Jan-88	101.8
Feb-88	98.9
Mar-88	97.7
Apr-88	97.8
May-88	101.6
Jun-88	105.7
Jul-88	106.7
Aug-88	101.7
Sep-88	94.1
Oct-88	91.1
Nov-88	89
Dec-88	89.6
Jan-89	98.3
Feb-89	103.3
Mar-89	106.4
Apr-89	108.4
May-89	109.5
Jun-89	107.8
Jul-89	106.8
Aug-89	103.7
Sep-89	99.4
Oct-89	95.2
Nov-89	93.1
Dec-89	96.4
Jan-90	96.4
Feb-90	100.2
Mar-90	106.6
Apr-90	110.4
May-90	113.9
Jun-90	113
Jul-90	112.7
Aug-90	107.7
Sep-90	103.8
Oct-90	104.5
Nov-90	105.2

**Location: Central Basin****Ground Surface Elevation: 159.7 ft above MSL**

STATION	1601T
	WS Elev.
Dec-90	104
Jan-91	102
Feb-91	107.2
Mar-91	106.1
Apr-91	120.8
May-91	113.8
Jun-91	110.5
Jul-91	107.1
Aug-91	107.2
Sep-91	109.1
Oct-91	111.4
Nov-91	115
Dec-91	115.6
Jan-92	116
Feb-92	115.7
Mar-92	119.7
Apr-92	121.1
May-92	118.7
Jun-92	115.7
Jul-92	116.8
Aug-92	118.6
Sep-92	114.8
Oct-92	111.7
Nov-92	115.7
Dec-92	116
Jan-93	121.1
Feb-93	125.3
Mar-93	125.3
Apr-93	129.2
May-93	127.3
Jun-93	123.5
Jul-93	123.7
Aug-93	123
Sep-93	123
Oct-93	120.4
Nov-93	120.7
Dec-93	121.6
Jan-94	124.5
Feb-94	124.3
Mar-94	126.6
Apr-94	127
May-94	126
Jun-94	126.3
Jul-94	126
Aug-94	121.9

<b>WATER CONSERVATION – SUMMARY – GROUND WATER</b>
--

**GROUND WATER FLUCTUATION:****Location: Central Basin****Ground Surface Elevation: 159.7 ft above MSL**

STATION	1601T
	WS Elev.
Sep-94	115.2
Oct-94	110
Nov-94	110.5
Dec-94	113.1
Jan-95	117
Feb-95	124.8
Mar-95	126.9
Apr-95	129.5
May-95	128.6
Jun-95	126.9
Jul-95	125.7
Aug-95	121.8
Sep-95	116.3
Oct-95	111.8
Nov-95	113
Dec-95	113.7
Jan-96	115.9
Feb-96	119.7
Mar-96	126.1
Apr-96	128.5
May-96	128
Jun-96	124.4
Jul-96	125.9
Aug-96	123.2
Sep-96	119.7
Oct-96	119.2
Nov-96	116.7
Dec-96	117.9
Jan-97	117
Feb-97	129.8
Mar-97	127.9
Apr-97	125.5
May-97	127.1
Jun-97	125.2
Jul-97	124.8
Aug-97	123.1
Sep-97	118
Oct-97	115.7
Nov-97	112.7
Dec-97	113.2
Jan-98	117.5
Feb-98	122.6
Mar-98	127.2
Apr-98	129.2
May-98	129.1

**Location: Central Basin****Ground Surface Elevation: 159.7 ft above MSL**

STATION	1601T
	WS Elev.
Jun-98	127.3
Jul-98	126.1
Aug-98	123.3
Sep-98	119.2
Oct-98	116.8
Nov-98	115.7
Dec-98	116.5
Jan-99	114.4
Feb-99	117.7
Mar-99	117.6
Apr-99	120.1
May-99	117.3
Jun-99	115.4
Jul-99	109.4
Aug-99	105.4
Sep-99	100.9

**WATER CONSERVATION – SUMMARY – GROUND WATER****GROUND WATER FLUCTUATION:**

**Location: Main San Gabriel Basin**  
**Ground Surface Elevation: 245.0 ft above MSL**

STATION	2955X	2965C
	WS Elev.	WS Elev.
Jan-61	209.9	
Feb-61	210.5	
Mar-61	210.1	
Apr-61	210.5	
May-61	209.7	
Jun-61	208.5	
Jul-61	207.8	
Aug-61	204.9	
Sep-61	204.3	
Oct-61	205.2	
Nov-61	205.9	
Dec-61	206.1	
Jan-62	208	
Feb-62	208.5	
Mar-62	209.9	
Apr-62	210.7	
May-62	211.2	
Jun-62	210.3	
Jul-62	210	
Aug-62	209.1	
Sep-62	209.2	
Oct-62	209.5	
Nov-62	209.2	
Dec-62	209.3	
Jan-63	209.9	
Feb-63	209.8	
Mar-63	209.8	
Apr-63	209.9	
May-63	208.4	
Jun-63	207.5	
Jul-63	206.5	
Aug-63	203.4	
Sep-63	202.4	
Oct-63	201.8	
Nov-63	203.3	
Dec-63	204.3	
Jan-64	204.6	
Feb-64	203.6	
Mar-64	202.9	
Apr-64	201.3	
Jul-64	199.8	
Aug-64	198.2	
Sep-64	195.9	
Oct-64	195.1	
Nov-64	197.4	

**Location: Main San Gabriel Basin**  
**Ground Surface Elevation: 245.0 ft above MSL**

STATION	2955X	2965C
	WS Elev.	WS Elev.
Dec-64	194.2	
Jan-65	199.1	
Feb-65	198.4	
Mar-65	199.1	
Apr-65	200.2	
May-65	200.3	
Jun-65	199.5	
Jul-65	199.4	
Aug-65	196.8	
Sep-65	195.1	
Oct-65	194	
Nov-65	194	
Dec-65	196.2	
Jan-66	202.1	
Feb-66	202.4	
Mar-66	205.4	
Apr-66	206.6	
May-66	207.3	
Jun-66	209.2	
Jul-66	206.4	
Aug-66	205.4	
Sep-66	204.6	
Oct-66	206.5	
Nov-66	206.3	
Dec-66	207.1	
Jan-67	208.5	
Feb-67	209.4	
Mar-67	210.2	
Apr-67	211.8	
May-67	212.5	
Jun-67	213.6	
Jul-67	213.8	
Aug-67	213.9	
Sep-67	213.9	
Oct-67	213.8	
Nov-67	215.1	
Dec-67	215.6	
Jan-68	216.8	
Feb-68	217.8	
Mar-68	217.9	
Apr-68	217.8	
May-68	217.6	
Jun-68	217.4	
Jul-68	217.3	
Aug-68	216	

**WATER CONSERVATION – SUMMARY – GROUND WATER****GROUND WATER FLUCTUATION:**

**Location: Main San Gabriel Basin**  
**Ground Surface Elevation: 245.0 ft above MSL**

STATION	2955X	2965C
	WS Elev.	WS Elev.
Sep-68	215.7	
Oct-68	215.4	
Nov-68	215.8	
Dec-68	215.3	
Jan-69	215.2	
Feb-69	217.6	
Mar-69	217.8	
Apr-69	218.8	
May-69	218.6	
Jun-69	218.9	
Jul-69	219.1	
Aug-69	218.9	
Sep-69	218	
Oct-69	218.3	
Nov-69	218.7	
Dec-69	218.5	
Jan-70	218.7	
Feb-70	218.5	
Mar-70	218.6	
Apr-70	218.3	
May-70	218	
Jul-70	217.1	
Aug-70	215.5	
Sep-70	215	
Oct-70	213.8	
Nov-70	213.2	
Dec-70	213.7	
Jan-71	213.9	
Feb-71	213.6	
Mar-71	213.7	
Apr-71	213.5	
May-71	214.6	
Jun-71	214.7	
Jul-71	214.4	
Aug-71	212.8	
Oct-71	207.1	
Nov-71	211.4	
Dec-71	211.3	
Jan-72	211.7	
Feb-72	212.8	
Mar-72	212.2	
Apr-72	210	
May-72	209.6	
Jun-72	208.1	
Jul-72	206.3	

**Location: Main San Gabriel Basin**  
**Ground Surface Elevation: 245.0 ft above MSL**

STATION	2955X	2965C
	WS Elev.	WS Elev.
Aug-72	206.7	
Sep-72	204.3	
Oct-72	202.9	
Nov-72	202.9	
Dec-72	204.5	
Jan-73	204.7	
Feb-73	205.7	
Mar-73	206.1	
Apr-73	206.6	
May-73	207.4	
Jun-73	207.8	
Jul-73	207.5	
Aug-73	207.5	
Sep-73	207.2	
Oct-73	207.5	
Nov-73	206.7	
Dec-73	207.9	
Jan-74	207.8	
Feb-74	208.5	
Mar-74	208.5	
Apr-74	208.4	
May-74	208	
Jun-74	207.3	
Jul-74	206.5	
Aug-74	205.7	
Sep-74	205.4	
Oct-74	205.2	
Nov-74	205.2	
Dec-74	205	
Jan-75	205.2	
Feb-75	205	
Mar-75	205.3	
Apr-75	205	
May-75	204.2	
Jun-75	204.5	
Jul-75	204.2	
Aug-75	202.7	
Sep-75	201.8	
Oct-75	200.9	
Nov-75	200.6	
Dec-75	199.8	
Jan-76	200	
Feb-76	199.9	
Mar-76	200.2	
Apr-76	199.9	



**WATER CONSERVATION – SUMMARY – GROUND WATER****GROUND WATER FLUCTUATION:**

**Location: Main San Gabriel Basin**  
**Ground Surface Elevation: 245.0 ft above MSL**

STATION	2955X	2965C
	WS Elev.	WS Elev.
May-76	199.1	
Jun-76	198.3	
Jul-76	198.1	
Aug-76	197	
Sep-76	194.8	
Oct-76	194.5	
Nov-76	193.9	
Dec-76	193.4	
Jan-77	193.5	
Feb-77	194.1	
Mar-77	194.4	
Apr-77	194	
May-77	193	
Jun-77	192.5	
Jul-77	191.4	
Aug-77	188.9	
Sep-77	188.5	
Oct-77	187.1	
Nov-77	186.3	
Dec-77	185.6	
Jan-78	186.6	
Feb-78	191.3	
Mar-78	194.9	
Apr-78	199.9	
May-78	201.2	
Jun-78	202.7	
Jul-78	203.8	
Aug-78	204.5	
Sep-78	205.6	
Oct-78	206.1	
Nov-78	207.2	
Dec-78	207.9	
Jan-79	209.2	
Feb-79	209.9	
Mar-79	210.8	
Jul-79	211.4	
Sep-79	211.1	
Oct-79	211.2	
Nov-79	211.4	
Dec-79	211.1	
Jan-80	211.6	
Feb-80	213.5	
Mar-80	214.5	
Apr-80	214.4	
May-80	214.8	

**Location: Main San Gabriel Basin**  
**Ground Surface Elevation: 245.0 ft above MSL**

STATION	2955X	2965C
	WS Elev.	WS Elev.
Jun-80	214.9	
Jul-80	214.6	
Aug-80	214.5	
Sep-80	214.5	
Oct-80	214.6	
Nov-80	214.8	
Dec-80	214.9	
Jan-81	214.9	
Feb-81	215.1	
Mar-81	215.5	
Apr-81	214.9	
May-81	212.7	
Jun-81	213.5	
Jul-81	213.2	
Aug-81	211.8	
Sep-81	212.1	
Jan-82	210.3	
Apr-82	210.7	
May-82	210.4	
Aug-82	208.7	
Sep-82	208.4	
Oct-82	208.1	
Nov-82	208.5	
Dec-82	209.2	
Jan-83	209.5	
Feb-83	210.8	
Mar-83	212.7	
Apr-83	213.5	
May-83	214.3	
Jun-83	214.4	
Jul-83	215	
Aug-83	215.1	
Sep-83	215.7	
Oct-83	216.2	
Nov-83	216.9	
Dec-83	217.3	
Jan-84	217.6	
Feb-84	217.6	
Mar-84	217.3	
Apr-84	217.3	
May-84	216.5	
Jun-84	216	
Jul-84	215.6	
Aug-84	214.2	
Sep-84	213.7	

**WATER CONSERVATION – SUMMARY – GROUND WATER****GROUND WATER FLUCTUATION:**

**Location: Main San Gabriel Basin**  
**Ground Surface Elevation: 245.0 ft above MSL**

STATION	2955X	2965C
	WS Elev.	WS Elev.
Oct-84	212.5	
Nov-84	213.1	
Dec-84	213.5	
Jan-85	213.6	
Feb-85	213.5	
Jun-85	211.7	
Jul-85	210.1	
Aug-85	209.2	
Sep-85	207.9	
Oct-85	207.7	
Nov-85	207.3	
Dec-85	208	
Jan-86	207.8	
Feb-86	208	
Mar-86	209.5	
Apr-86	209.8	
May-86	209.3	
Jun-86	209	
Jul-86	207.6	
Aug-86	206.1	
Sep-86	205.9	
Oct-86	204	
Nov-86	204.4	
Dec-86	204.5	
Jan-87	204.7	217.5
Feb-87	204.6	217.5
Mar-87	204.5	217.8
Apr-87	204.4	217.7
May-87	203.1	217
Jun-87	202.8	216.8
Jul-87	204.3	215.9
Aug-87	203.3	215.2
Sep-87	202.5	214.5
Oct-87	201.3	213.4
Nov-87	202.6	213.5
Dec-87	202.5	213.4
Jan-88	202.5	213.1
Feb-88	196.8	212.9
Mar-88	200.2	212.9
Apr-88	199.9	212.6
May-88	197.3	212.8
Jun-88	200.7	212.6
Jul-88	200.5	211.6
Aug-88	199	210.5
Sep-88	196.7	209

**Location: Main San Gabriel Basin**  
**Ground Surface Elevation: 245.0 ft above MSL**

STATION	2955X	2965C
	WS Elev.	WS Elev.
Oct-88	196.1	207.9
Nov-88	188.2	207
Dec-88	190.3	206.9
Jan-89	198.2	207.7
Jul-89		207.4
Aug-89	200.5	213.1
Sep-89		203
Nov-89	192.7	201.4
Dec-89	193.3	201.9
Jan-90	195.5	200.4
Feb-90	197.6	197.1
Mar-90	204.7	197
Apr-90	188.4	
May-90	190.8	199.5
Jun-90	191.4	
Nov-90		199.4
Apr-92		201
Mar-93		219.1
Sep-93		220
Apr-94		222.3
Oct-94		217.8
Apr-95		220.2
Apr-96		223.3
Oct-96		220
May-97		220.1
Oct-97		215.4
Apr-98		219
Oct-98		220.2
Apr-99		220.7
Nov-99		216.4

## WATER CONSERVATION – SUMMARY – GROUND WATER

**GROUND WATER FLUCTUATION:**

**Location: Main San Gabriel Basin, Baldwin Park**  
**Ground Surface Elevation: 386.7 ft above MSL**

STATION	3030F
	WS Elev.
Jan-60	250.4
Feb-60	250.8
Mar-60	251
Apr-60	250.4
May-60	248.9
Jun-60	247.3
Jul-60	244.8
Aug-60	241.4
Sep-60	239
Oct-60	235.8
Nov-60	236.1
Dec-60	236.7
Jan-61	236.7
Feb-61	236.5
Mar-61	236.5
Apr-61	236.1
May-61	235.1
Jun-61	233.6
Jul-61	231.4
Aug-61	228.9
Sep-61	226.6
Oct-61	225
Nov-61	224.1
Dec-61	224.2
Jan-62	225.3
Feb-62	225.4
Mar-62	233.6
Apr-62	245
May-62	243.7
Jun-62	242.1
Jul-62	240.1
Aug-62	239.2
Sep-62	240.4
Oct-62	238.8
Nov-62	238.3
Dec-62	238
Jan-63	237.6
Feb-63	236.5
Mar-63	236
Apr-63	235.4
May-63	233.6
Jun-63	233
Jul-63	228.1
Aug-63	225
Sep-63	223.7

**Location: Main San Gabriel Basin, Baldwin Park**  
**Ground Surface Elevation: 386.7 ft above MSL**

STATION	3030F
	WS Elev.
Oct-63	223.2
Nov-63	223.7
Dec-63	223.7
Jan-64	223.6
Feb-64	222.9
Mar-64	222.3
Apr-64	221.6
May-64	220.3
Jun-64	219.2
Jul-64	217.4
Aug-64	215.6
Sep-64	213.8
Oct-64	212.2
Nov-64	211.2
Dec-64	211.6
Jan-65	212
Feb-65	212.1
Mar-65	212
Apr-65	212.6
May-65	222.9
Jun-65	211.7
Jul-65	211.9
Aug-65	211.8
Sep-65	209.8
Oct-65	209.2
Nov-65	209.2
Dec-65	211.3
Jan-66	233.6
Feb-66	251.5
Mar-66	252.5
Apr-66	254.7
May-66	252.8
Jun-66	248.9
Jul-66	245.4
Aug-66	240.5
Sep-66	236
Oct-66	233.3
Nov-66	231.6
Dec-66	231.6
Jan-67	247.4
Feb-67	249.3
Mar-67	260
Apr-67	266.8
May-67	274.8
Jun-67	284.7

## WATER CONSERVATION – SUMMARY – GROUND WATER

**GROUND WATER FLUCTUATION:**

**Location: Main San Gabriel Basin, Baldwin Park**  
**Ground Surface Elevation: 386.7 ft above MSL**

STATION	3030F
	WS Elev.
Jul-67	287.7
Aug-67	284.9
Sep-67	280.6
Oct-67	276.8
Nov-67	275.3
Dec-67	274.7
Jan-68	277
Feb-68	276.4
Mar-68	275.7
Apr-68	274.9
May-68	273.7
Jun-68	271
Jul-68	268
Aug-68	264.6
Sep-68	260.4
Oct-68	258.5
Nov-68	256.9
Dec-68	256.3
Jan-69	256.6
Feb-69	260.4
Mar-69	278.3
Apr-69	293.9
May-69	300.3
Jun-69	301.8
Jul-69	298.6
Aug-69	293.3
Sep-69	288.5
Oct-69	284.1
Nov-69	280.2
Dec-69	278
Jan-70	276
Feb-70	274.5
Mar-70	273.3
Apr-70	277.4
May-70	277.7
Jun-70	274.2
Jul-70	270.8
Aug-70	266.7
Sep-70	263.2
Oct-70	260.1
Nov-70	258
Dec-70	256.6
Jan-71	257.1
Feb-71	261.3
Mar-71	262.9

**Location: Main San Gabriel Basin, Baldwin Park**  
**Ground Surface Elevation: 386.7 ft above MSL**

STATION	3030F
	WS Elev.
Apr-71	261.6
May-71	259.6
Jun-71	257.7
Jul-71	255
Aug-71	251.5
Sep-71	248.1
Oct-71	245.2
Nov-71	243.6
Dec-71	242.8
Jan-72	242.1
Feb-72	243.2
Mar-72	243.1
Apr-72	242.2
May-72	240.3
Jun-72	237.9
Jul-72	234.7
Aug-72	230.9
Sep-72	228.1
Oct-72	226.1
Nov-72	224.9
Dec-72	225.3
Jan-73	226.7
Feb-73	226.3
Mar-73	229.7
Apr-73	244.7
May-73	250.3
Jun-73	250.8
Jul-73	247.4
Aug-73	243.6
Sep-73	239.3
Oct-73	236.9
Nov-73	235
Dec-73	234.7
Jan-74	234.8
Feb-74	237
Mar-74	240.7
Apr-74	240.6
May-74	240
Jun-74	238.7
Jul-74	238.5
Aug-74	237.1
Sep-74	235.6
Oct-74	233.5
Nov-74	231.8
Dec-74	230.6

**WATER CONSERVATION – SUMMARY – GROUND WATER**
**GROUND WATER FLUCTUATION:**

**Location: Main San Gabriel Basin, Baldwin Park**  
**Ground Surface Elevation: 386.7 ft above MSL**

STATION	3030F
	WS Elev.
Jan-75	230.2
Feb-75	229.3
Mar-75	228.6
Apr-75	228.8
May-75	230.2
Jun-75	232.6
Jul-75	234.8
Aug-75	231.5
Sep-75	227.5
Oct-75	224.9
Nov-75	224.5
Dec-75	223.7
Jan-76	224.7
Feb-76	223.2
Mar-76	222.6
Apr-76	225.9
May-76	226.1
Jun-76	223.4
Jul-76	220.2
Aug-76	217.2
Sep-76	214.7
Oct-76	214
Nov-76	214
Dec-76	213.8
Jan-77	212.5
Feb-77	213.8
Mar-77	215.5
Apr-77	214.5
May-77	212.8
Jun-77	212.3
Jul-77	211
Aug-77	208.6
Sep-77	207
Oct-77	205.7
Nov-77	204.9
Dec-77	203.7
Jan-78	203.7
Feb-78	210
Mar-78	229.7
Apr-78	244.9
May-78	254.5
Jun-78	262.5
Jul-78	270.4
Aug-78	266.9
Sep-78	260.9

**Location: Main San Gabriel Basin, Baldwin Park**  
**Ground Surface Elevation: 386.7 ft above MSL**

STATION	3030F
	WS Elev.
Oct-78	258.6
Nov-78	256.1
Dec-78	255.5
Jan-79	253.8
Feb-79	256.3
Mar-79	257.8
Apr-79	262.2
May-79	267.2
Jun-79	268.6
Jul-79	266
Aug-79	262
Sep-79	257.7
Oct-79	254
Nov-79	251.6
Dec-79	250.5
Jan-80	249.9
Feb-80	249.3
Mar-80	255.7
Apr-80	267
May-80	278
Jun-80	284.9
Jul-80	281.6
Aug-80	276.7
Sep-80	272
Oct-80	268.6
Nov-80	265.2
Dec-80	263.1
Jan-81	262.7
Feb-81	261.5
Mar-81	260.4
Apr-81	259.5
May-81	257.7
Jun-81	255.3
Jul-81	251.9
Aug-81	248.2
Sep-81	245.3
Oct-81	242.8
Nov-81	241.7
Dec-81	241.3
Jan-82	242.4
Feb-82	244.6
Mar-82	247.2
Apr-82	249.7
May-82	249.1
Jun-82	247.5

## WATER CONSERVATION – SUMMARY – GROUND WATER

**GROUND WATER FLUCTUATION:**

**Location: Main San Gabriel Basin, Baldwin Park**  
**Ground Surface Elevation: 386.7 ft above MSL**

STATION	3030F
	WS Elev.
Jul-82	245.1
Aug-82	243.6
Sep-82	241.2
Oct-82	240.5
Nov-82	245.6
Dec-82	249.9
Jan-83	252.3
Feb-83	253.2
Mar-83	256.8
Apr-83	271.4
May-83	279.8
Jun-83	286.9
Jul-83	293.9
Aug-83	293.8
Sep-83	288.3
Oct-83	283.2
Nov-83	280.9
Dec-83	282.5
Jan-84	280.9
Feb-84	281.9
Mar-84	279.8
Apr-84	276.6
May-84	273.7
Jun-84	270
Jul-84	266.4
Aug-84	262.4
Sep-84	258.7
Oct-84	254
Nov-84	253.5
Dec-84	252.7
Jan-85	252.4
Feb-85	254.4
Mar-85	252.9
Apr-85	251.5
May-85	250.1
Jun-85	248
Jul-85	245.3
Aug-85	242.1
Sep-85	239.1
Oct-85	237.5
Nov-85	238.7
Dec-85	242.2
Jan-86	245.4
Feb-86	247.1
Mar-86	247.7

**Location: Main San Gabriel Basin, Baldwin Park**  
**Ground Surface Elevation: 386.7 ft above MSL**

STATION	3030F
	WS Elev.
Apr-86	252.9
May-86	253.9
Jun-86	252.8
Jul-86	250.2
Aug-86	247.2
Sep-86	243.3
Oct-86	240.7
Nov-86	239
Dec-86	237.4
Jan-87	239
Feb-87	239.8
Mar-87	240.7
Apr-87	241.5
May-87	241
Jun-87	238.2
Jul-87	235.9
Aug-87	232.6
Sep-87	229.9
Oct-87	227.8
Nov-87	226.8
Dec-87	226.9
Jan-88	227.8
Feb-88	230.1
Mar-88	232.5
Apr-88	230.7
May-88	228.7
Jun-88	226.1
Jul-88	223.7
Aug-88	221.9
Sep-88	219.4
Oct-88	217.7
Nov-88	216.7
Dec-88	216.2
Jan-89	218.7
Feb-89	223.6
Mar-89	225.5
Apr-89	224.1
May-89	222.3
Jun-89	225.9
Jul-89	221.4
Aug-89	218.9
Sep-89	210.2
Oct-89	211.2
Nov-89	210.4
Dec-89	209.5

## WATER CONSERVATION – SUMMARY – GROUND WATER

**GROUND WATER FLUCTUATION:**

**Location: Main San Gabriel Basin, Baldwin Park**  
**Ground Surface Elevation: 386.7 ft above MSL**

STATION	3030F
	WS Elev.
Jan-90	208.8
Feb-90	207.9
Mar-90	207.7
Apr-90	207.8
May-90	209.5
Jun-90	208.3
Jul-90	205.7
Aug-90	203.5
Sep-90	201
Oct-90	191.7
Nov-90	199.8
Dec-90	200.5
Jan-91	199.8
Feb-91	198.5
Mar-91	196.7
Apr-91	198.4
May-91	200.7
Jun-91	200.7
Jul-91	198
Aug-91	199.7
Sep-91	212.4
Oct-91	206.3
Nov-91	209.3
Dec-91	209.9
Jan-92	210.5
Feb-92	210.9
Mar-92	215.8
Apr-92	226.1
May-92	233
Jun-92	233.5
Jul-92	237.5
Aug-92	238.1
Sep-92	235.5
Oct-92	232.1
Nov-92	230.7
Dec-92	231.5
93-JAN	238.5
Feb-93	246
Mar-93	254.8
Apr-93	263.4
May-93	269.3
Jun-93	271.3
Jul-93	266.8
Aug-93	263.6
Sep-93	259.7

**Location: Main San Gabriel Basin, Baldwin Park**  
**Ground Surface Elevation: 386.7 ft above MSL**

STATION	3030F
	WS Elev.
Oct-93	259
Nov-93	259
Dec-93	257.1
Jan-94	255.4
Feb-94	253.2
Mar-94	251.4
Apr-94	249.3
May-94	247.8
Jun-94	249
JUL-94.	248.1
Aug-94	245.2
Sep-94	241.8
Oct-94	238.5
Nov-94	237
Dec-94	235.4
Jan-95	235.4
Feb-95	238.1
Mar-95	248.3
Apr-95	264.2
May-95	270.1
Jun-95	271.1
JUL-945	267.8
Aug-95	265.7
Sep-95	263
Oct-95	257.1
Nov-95	257.4
Dec-95	255.9
Jan-96	253.5
Feb-96	252.8
Mar-96	250.1
Apr-96	249.9
May-96	248.2
Jun-96	249.2
Jul-96	248.4
Aug-96	247.3
Sep-96	248
Oct-96	249.4
Nov-96	248.4
Dec-96	246.5
Jan-97	246.2
Feb-97	248.6
Mar-97	250.9
Apr-97	248.1
May-97	245.7
Jun-97	242.6

<b>WATER CONSERVATION – SUMMARY – GROUND WATER</b>
--

**GROUND WATER FLUCTUATION:**

**Location: Main San Gabriel Basin, Baldwin Park**  
**Ground Surface Elevation: 386.7 ft above MSL**

STATION	3030F
	WS Elev.
Jul-97	240.5
Aug-97	238.9
Sep-97	239.6
Oct-97	238.6
Nov-97	238.3
Dec-97	241.4
Jan-98	240.8
Feb-98	241.4
Mar-98	245.8
Apr-98	251.7
May-98	259
Jun-98	265.2
Jul-98	267.6
Aug-98	266.1
Sep-98	264.8
Oct-98	262.3
Nov-98	260.9
Dec-98	259.1
Jan-99	256.3
Feb-99	253.9
Mar-99	251.9
Apr-99	250.4
May-99	248
Jun-99	245.5
Jul-99	242.5
Aug-99	240.5
Sep-99	238.9

**Location: Main San Gabriel Basin, Baldwin Park**  
**Ground Surface Elevation: 386.7 ft above MSL**

STATION	3030F
	WS Elev.



## WATER CONSERVATION – SUMMARY – GROUND WATER

**GROUND WATER FLUCTUATION:****Location: Pomona Basin****Ground Surface Elevation: 999.4 ft above MSL**

STATION	3251E	3261P	4469A
	WS Elev.	WS Elev.	WS Elev.
Jan-55	761.6		
Feb-55	766.2		
Mar-55	768.5		
Apr-55	763.9		
May-55	770.8		
Jun-55	770.8		
Jul-55	756.9		
Aug-55	725.8		
Sep-55	720		
Oct-55	738.5		
Nov-55	717.7		
Dec-55	754.6		
Jan-56	754.6		
Feb-56	756.9		
Mar-56	759.3		
Apr-56	759.3		
May-56	763.9		
Jun-56	763.9		
Jul-56	745.4		
Aug-56	731.5		
Sep-56	740.7		
Feb-57	746		
Mar-57	739.3		
Apr-57	746.2		
May-57	753.2		
Jun-57	750.9		
Jul-57	711.6		
Aug-57	689.7		
Sep-57	676		
Oct-57	711.6		
Nov-57	714		
Jan-58		663.1	
Feb-58	706.3	665.6	
Mar-58	716.9	664.4	
Apr-58	718	665.6	
May-58	631.4	640.2	
Jun-58	690.3	628.6	
Jul-58	682.3	647.1	
Aug-58	686.9	644.8	
Sep-58	654.6	646	
Oct-58	652.3	643.6	
Nov-58	686.9	644.8	
Dec-58	690.3	646	
Jan-59	691.5	646	
Feb-59	685.7	695.6	

**Location: Pomona Basin****Ground Surface Elevation: 999.4 ft above MSL**

STATION	3251E	3261P	4469A
	WS Elev.	WS Elev.	WS Elev.
Mar-59	698.4	702.6	
Apr-59	707.7	702.6	
May-59	694.9	650.6	
Jun-59	690.3	647.1	
Jul-59	686.9	637.9	
Aug-59	675.3	663.3	
Sep-59	670.7	629.8	
Oct-59		624	
Nov-59	662.6	628.6	
Dec-59	669.6	626.3	
Jan-60	670.7	624	
Feb-60	674.2	627.5	
Mar-60	673	628.6	
Apr-60	673	626.3	
May-60	670.7	617.1	
Jun-60	676.1	624	
Jul-60	662.6	617.9	
Aug-60	637.2	607.9	
Sep-60	644.1	603.2	
Oct-60	641.8	606.7	
Nov-60	643	610.2	
Dec-60	663.8	663.3	
Jan-61	656.8	620.6	
Feb-61	675.3	672.5	
Mar-61	675.9	677.2	
Apr-61	682.3	679.5	
May-61	662.6		
Jun-61	655.7		
Jul-61	604.9	606.3	
Aug-61	624.5	621.3	
Sep-61	617.6	578.6	
Oct-61	623.3		
Nov-61	622.2		
Dec-61	629.1		
Jan-62	643	645.6	
Feb-62	646.5	643.3	
Mar-62	650	650.2	
Apr-62	652.3	652.5	
May-62	643		
Jun-62	640.8		
Jul-62	637.3	590.2	
Aug-62	640.8	622.5	
Sep-62	626.9	579.8	
Oct-62	632.7	585.6	
Nov-62	629.2	578.7	

## WATER CONSERVATION - SUMMARY - GROUND WATER

**GROUND WATER FLUCTUATION:****Location: Pomona Basin****Ground Surface Elevation: 999.4 ft above MSL**

STATION	3251E	3261P	4469A
	WS Elev.	WS Elev.	WS Elev.
Dec-62	629.2	574	
Jan-63	630.4	578.7	
Feb-63	629.2	630.6	
Mar-63	632.7	569.4	
Apr-63	623.5	576.4	
May-63	626.9	572.9	
Jun-63	628.1	613.3	
Jul-63	570.3	563.6	
Aug-63	608.4	601.7	
Sep-63	600.3	601.7	
Oct-63	548.3	555.5	
Nov-63	593.4	558	
Dec-63	609.6	556.9	
Jan-64	608.4	565.9	
Feb-64	620	619	
Mar-64	615.3	569.4	
Apr-64	608.4	562.5	
May-64	613	567.1	
Jun-64	606.1		
Jul-64	548.3	553.2	
Aug-64	584.1	550.9	
Sep-64	588.7	604.3	
Oct-64	583	539.6	
Nov-64	583	593.9	
Dec-64	593.4	597.4	
Jan-65	588.7	532.7	
Feb-65	588.7	522.3	
Mar-65	583	528.1	
Apr-65	585.3	533.8	
May-65	583	527	
Jun-65	537.9	521	
Jul-65	578.4	528.1	
Aug-65		517.7	
Sep-65	559.9	513.1	
Oct-65	571.4	520	
Nov-65	571.5		
Dec-65	574.9	575.3	
Jan-66		517.7	
Feb-66	581.8	580	
Mar-66	578.4	515.4	
Apr-66		517.7	
Jun-66	564.6		
Jul-66	551.9		
Aug-66	541.5		
Sep-66	541.5		

**Location: Pomona Basin****Ground Surface Elevation: 999.4 ft above MSL**

STATION	3251E	3261P	4469A
	WS Elev.	WS Elev.	WS Elev.
Oct-66	546.1		
Nov-66	548.5	510.7	
Jan-67	553.1	499.2	
Feb-67	557.7	506.1	
Mar-67	549.6	499.2	
Apr-67	550.8	499.2	
May-67	550.8	499.2	
Jun-67	553.1	561.6	
Jul-67	543.8	496.9	
Aug-67	541.5	480.7	
Sep-67	536.9	477.2	
Oct-67	541.5	556.9	
Nov-67	553.1	492.3	
Dec-67	560		
Jan-68	566.9	495.7	
Feb-68	557.7	492.3	
Mar-68	560	496.9	
Apr-68	560	496.9	
May-68	562.3	490	
Jun-68	487.1	473.8	
Jul-68	549.6	555.9	
Aug-68	536.9		
Sep-68	535.7		
Oct-68	553.1		
Nov-68	546.1	501.6	
Dec-68	555.4	500.4	
Jan-69		493.5	
Feb-69	553.1	490	
Mar-69	557.7	565.1	
Apr-69	557.7	559.3	
May-69	472.2	490	
Jun-69	543.8	479.6	
Jul-69	553.1	480.8	
Aug-69	546.1	478.5	
Sep-69	430.6	446.1	
Oct-69	533.4	470.4	
Nov-69	541.5	473.8	
Dec-69	551.9	552.4	
Jan-70	554.2	543.1	
Feb-70	557.7	550.1	
Mar-70	564.6	555.8	
Apr-70	571.6	550.1	
May-70	574	488.8	
Jun-70	586	554.7	
Jul-70	590.7	575.5	

**WATER CONSERVATION – SUMMARY – GROUND WATER****GROUND WATER FLUCTUATION:****Location: Pomona Basin****Ground Surface Elevation: 999.4 ft above MSL**

STATION	3251E	3261P	4469A
	WS Elev.	WS Elev.	WS Elev.
Aug-70	590.7	492.3	
Sep-70	597.7	495.8	
Oct-70	602.3	495.8	
Nov-70	608	498.6	
Dec-70	612.7	573.2	
Jan-71	623.1	588.2	
Feb-71	620.8	598.6	
Mar-71	635.8	605.5	
Apr-71	642.7	619.9	
May-71	643.9	533.9	
Jun-71	648.5	533.9	
Jul-71	646.2	527	
Aug-71	650.8	525.8	
Sep-71	650.8	569.1	
Oct-71	655.4	525.8	
Nov-71	655.5	524.7	
Dec-71	657.7	605.5	
Jan-72	657.7	525.8	
Feb-72	662.4	626.3	
Mar-72		536.2	
Apr-72	649.6	614.8	
May-72		531.6	
Jun-72		528.1	
Jul-72	669.5	515.4	
Aug-72		510.8	
Sep-72		501.6	
Oct-72		496.9	
Nov-72		500.4	
Dec-72	620.8	587	
Jan-73	628	591.7	
Feb-73	628	510.8	
Mar-73	620	591.7	
Apr-73	634	600.9	
May-73	593.1	605.5	
Jun-73	574.6	502.7	
Jul-73	567.9	499.3	
Aug-73	556.1	490.1	
Sep-73	542.3	487.7	
Oct-73	551.5	490	
Nov-73	537.7	475	
Dec-73	580.4	570.9	
Jan-74	605.8	486.6	
Feb-74	616.2	479.6	
Mar-74	613.9	477.3	
Apr-74	627.8	487.7	

**Location: Pomona Basin****Ground Surface Elevation: 999.4 ft above MSL**

STATION	3251E	3261P	4469A
	WS Elev.	WS Elev.	WS Elev.
May-74	625.4	488.9	
Jun-74	593.1		
Jul-74	548.1	477.3	
Aug-74	537.7	471.5	
Sep-74	530.7	466.9	
Oct-74		461.1	
Nov-74	557.3	458.8	
Dec-74	585	559.3	
Jan-75	614	579	
Feb-75	619	600.9	
Mar-75	628.9	607.8	
Apr-75	637	614.8	
May-75	641.6	619.4	
Jun-75	632.4	610.1	
Jul-75	576.9	600.9	
Aug-75	553.8	503.9	
Sep-75	540	494.6	
Oct-75	573.5	478.5	
Nov-75	595.4	590.5	
Dec-75	607	600.9	
Jan-76	616.2	603.2	
Feb-76	623.2	605.5	
Mar-76	632.4	617.1	
Apr-76	634.7	619.4	
May-76	641.7	621.7	
Jun-76	572.3	515.4	
Jul-76	553.8	506.2	
Aug-76		567.4	
Sep-76	567.7	570.9	
Oct-76	593.2	587	
Nov-76	602.4	589.4	
Dec-76	608.1	607.8	
Jan-77	604.7	605.5	
Feb-77		610.1	
Mar-77	613.9	617.1	
Apr-77	630.1	617.1	
May-77	570.8	592.8	
Jun-77	579.2	596.3	
Jul-77	559.6		
Aug-77	544.5		
Sep-77	540		
Oct-77	530.7		
Nov-77	549.2		
Dec-77	579.3	559.3	
Jan-78	589.7		

## WATER CONSERVATION - SUMMARY - GROUND WATER

**GROUND WATER FLUCTUATION:****Location: Pomona Basin****Ground Surface Elevation: 999.4 ft above MSL**

STATION	3251E	3261P	4469A
	WS Elev.	WS Elev.	WS Elev.
Feb-78	593.1		
Mar-78	590.8		
Apr-78	604.7	577.8	
May-78	607		
Jun-78	616.2		
Nov-78	556.2	540.8	
Dec-78	556.2	540.8	
Jan-79	581.6	563.9	
Feb-79	507.6		
Mar-79	509.9		
Apr-79	485	531.6	
May-79	482.2		
Jun-79	484.5		
Jul-79	496.1		
Aug-79	478.8		
Sep-79	479.9		
Oct-79	483.4		
Nov-79	545.8	529.3	
Dec-79	533.1		
Jan-80	590.8	550.1	
Feb-80	600	552.4	
Mar-80	630.1		
Apr-80	641.6	598.6	
May-80	643.9		
Jun-80	611.6		
Jul-80	648.6		
Aug-80	593.1		
Sep-80	581.6		
Oct-80	576.9		
Nov-80	643.9	594	937.7
Dec-80	653.2		
Jan-81	664.7		
Feb-81	646.2	577.8	
Mar-81	677.4		932.7
Apr-81	671.7	624	
May-81	693.6	633.2	
Jun-81	650.9		
Jul-81	648.6		
Aug-81	648.6	610.1	
Sep-81	641.6		888.7
Oct-81	654.3		934.7
Nov-81	645.1		
Dec-81	655.5	562.8	
Jan-82	700.5		
Feb-82	740.9	672.5	

**Location: Pomona Basin****Ground Surface Elevation: 999.4 ft above MSL**

STATION	3251E	3261P	4469A
	WS Elev.	WS Elev.	WS Elev.
Mar-82	743.3		
Apr-82	758.3	695.6	962.7
May-82	727.1		
Jun-82	678.6		
Jul-82	671.7		
Aug-82	670.5		
Sep-82	680.9		
Oct-82	671.7	644.8	952.7
Nov-82	741		
Dec-82	752.5	710.6	
Jan-83	773.3	725.6	
Feb-83	775.6	727.9	
Mar-83	781.4	729.1	
Apr-83	788.3	744.1	
May-83	740.9	727.9	947.7
Jun-83	777.4		966.7
Jul-83	771	710.6	
Oct-83	787.1	737.2	979.7
Nov-83	796.4	687.5	
Dec-83	810.2	684.1	
Jan-84	812.1	774.1	
Feb-84	825.3	704.8	
Apr-84	811.4	661	
May-84	815.6		
Jun-84	811.4	724.5	
Jul-84	823		
Aug-84	825.3		
Sep-84	911.9	771.8	
Oct-84	915.8	783.4	940.7
Nov-84	918.1	815.7	
Dec-84	921.8	693.3	
Jan-85	914.7	799.6	
Feb-85	947.7	771.8	
Mar-85	955.8	820.3	
Apr-85		820.3	933.7
Jun-85			971.7
Oct-85		855	
Nov-85			979.7
Apr-86		843.4	969.7
Aug-86			933.7
Dec-86		809.3	
Aug-87		870.4	
Oct-87		894	957.7
Nov-87		704.7	
Dec-87		817.9	

**WATER CONSERVATION – SUMMARY – GROUND WATER****GROUND WATER FLUCTUATION:****Location: Pomona Basin****Ground Surface Elevation: 999.4 ft above MSL**

STATION	3251E	3261P	4469A
	WS Elev.	WS Elev.	WS Elev.
Jan-88		708.6	
Feb-88		700.9	
Mar-88		873.6	
Apr-88		872.4	
May-88		705.7	
Jun-88		698.2	
Dec-88		769.4	
Apr-89		807.5	
Sep-89		810.8	
Oct-89		805.5	976.7
Dec-89		834.1	
Apr-90		799.4	972.7
Oct-90			981.7
Apr-91			979.7
Sep-91		868.2	
Oct-91			971.4
Dec-91		783.3	
Apr-92		790.2	975.7
Oct-92			969.7
Dec-92		842.6	
Mar-93		852.1	
Apr-93		861.8	
May-93		852.5	
Jun-93		858.1	
Aug-93		872.4	
Sep-93		879.2	
Dec-93		891.5	
Jan-94		900.7	
Feb-94		912.6	
Mar-94		893.5	
Apr-94		889.3	
May-94		931.2	
Nov-94		931.5	
Dec-94		939.2	
Jan-95		950.2	
Feb-95		950.8	
Apr-95		920.1	
May-95		931	
Jun-95		943.7	
Jul-95		934.9	
Aug-95		903.1	
Sep-95		920.9	
Oct-95		935.8	
Nov-95		942.6	
Dec-95		940.6	

**Location: Pomona Basin****Ground Surface Elevation: 999.4 ft above MSL**

STATION	3251E	3261P	4469A
	WS Elev.	WS Elev.	WS Elev.
Jan-96		920.9	
Feb-96		947.7	
Mar-96		938.6	
Apr-96		931.9	
May-96		918.3	
Jun-96		913.2	
Jul-96		927	
Aug-96		929.1	
Oct-96		911.8	
Nov-96		945.9	
Dec-96		949.4	
Jan-97		957	
Feb-97		961.4	
Mar-97		960.3	
Apr-97		956.8	
May-97		960.5	
Jun-97		960.6	
Jul-97		957.6	
Aug-97		960.5	
Sep-97		950.5	
Oct-97		957.8	
Nov-97		958	
Feb-98		960.2	
Mar-98		965.5	
Apr-98		959.4	
May-98		965.5	
Jun-98		953.4	
Jul-98		965	
Aug-98		962.3	
Nov-98		966.4	
Dec-98		971.5	
Jan-99		973	
Feb-99		974.7	
Mar-99		973.4	
Apr-99		974.4	
May-99		974	
Jul-99		974.7	
Aug-99		974.6	

**WATER CONSERVATION – SUMMARY – GROUND WATER****GROUND WATER FLUCTUATION:**

**Location: San Fernando Valley, Canoga Park**  
**Ground Surface Elevation: 788.5 ft above MSL**

STATION	4709	3600H
	WS Elev.	WS Elev.
Jan-61	776.2	
Feb-61	776.4	
Mar-61	775.4	
Apr-61	774.8	
May-61	774.2	
Jun-61	773.7	
Jul-61	773	
Aug-61	772.9	
Sep-61	772.5	
Oct-61	772	
Nov-61	771.4	
Dec-61	772.7	
Jan-62	773.3	
Feb-62	774.2	
Mar-62	776	
Apr-62	776.2	
May-62	776.3	
Jun-62	776.2	
Jul-62	775	
Aug-62	773.5	
Sep-62	772.8	
Oct-62	773	
Nov-62	773.3	
Dec-62	772.6	
Jan-63	772.2	
Feb-63	772.2	
Mar-63	772.6	
Apr-63	772.7	
May-63	772.7	
Jun-63	772.6	
Jul-63	771.9	
Aug-63	770.8	
Sep-63	771.6	
Oct-63	772.5	
Nov-63	771.8	
Dec-63	772.6	
Jan-64	773.4	
Feb-64	773.4	
Mar-64	772.5	
Apr-64	772.2	
May-64	772	
Jun-64	771.8	
Jul-64	771.3	
Aug-64	770.9	
Sep-64	770.5	

**Location: San Fernando Valley, Canoga Park**  
**Ground Surface Elevation: 788.5 ft above MSL**

STATION	4709	3600H
	WS Elev.	WS Elev.
Oct-64	770	
Nov-64	770	
Dec-64	769.9	
Jan-65	770.5	
Feb-65	770.3	
Mar-65	770.4	
Apr-65	770.9	
May-65	770.9	
Jun-65	770.4	
Jul-65	769.7	
Aug-65	769.5	
Sep-65	769.2	
Oct-65	768.7	
Nov-65	768.6	
Dec-65	770.6	
Jan-66	771	
Feb-66	772.8	
Mar-66	773	
Apr-66	771.8	
May-66	771.6	
Jun-66	771.5	
Jul-66	771.8	
Aug-66	770.8	
Sep-66	769.8	
Oct-66	770.4	
Nov-66	771.2	
Dec-66	771.9	
Jan-67	772.3	
Feb-67	772.4	
Mar-67	772.8	
Apr-67	772.1	
May-67	772.6	
Jun-67	772.1	
Jul-67	772.1	
Aug-67	772.3	
Sep-67	772.1	
Oct-67	772	
Nov-67	771.8	
Dec-67	772.6	
Jan-68	773	
Feb-68	773	
Mar-68	773.2	
Apr-68	773.4	
May-68	772	
Jun-68	771.1	

**WATER CONSERVATION – SUMMARY – GROUND WATER****GROUND WATER FLUCTUATION:**

**Location: San Fernando Valley, Canoga Park**  
**Ground Surface Elevation: 788.5 ft above MSL**

STATION	4709	3600H
	WS Elev.	WS Elev.
Jul-68	771	
Aug-68	770.7	
Sep-68	770.4	
Oct-68	770.1	
Nov-68	770.1	
Dec-68	770.1	
Jan-69	770.2	
Feb-69	773.4	
Mar-69	773.8	
May-69	773.8	
Jun-69	773.6	
Jul-69	773.5	
Aug-69	773.7	
Sep-69	773.6	
Oct-69	771.8	
Nov-69	773	
Dec-69	772.6	
Jan-70	772.3	
Feb-70	772.5	
Mar-70	773.2	
Apr-70	772.9	
May-70	773	
Jun-70	772.1	
Jul-70	772	
Aug-70	771.9	
Sep-70	771.6	
Oct-70	771.2	
Nov-70	771.7	
Dec-70	772.1	
Jan-71	772.9	
Feb-71	772.1	
Mar-71	771.7	
Apr-71	771.7	
May-71	771.6	
Jun-71	771.4	
Jul-71	771.3	
Oct-71	769.8	
Nov-71	769.7	
Dec-71	769.5	
Jan-72	770.3	
Feb-72	770.6	
Mar-72	770.1	
Apr-72	769.5	
May-72	769.2	
Jun-72	769.1	

**Location: San Fernando Valley, Canoga Park**  
**Ground Surface Elevation: 788.5 ft above MSL**

STATION	4709	3600H
	WS Elev.	WS Elev.
Jul-72	769.5	
Aug-72	769.6	
Sep-72	769.5	
Oct-72	769.5	
Nov-72	769.1	
Dec-72	769.3	
Jan-73	769	
Feb-73	770	
Mar-73	770.2	
Apr-73	770.3	
May-73	770.3	
Jul-73	770.1	
Aug-73	769.8	
Nov-73	768.7	
Dec-73	768.9	
Jan-74	769.6	
Feb-74	769.7	
Mar-74	769.9	
Apr-74	769.9	
May-74	769.7	
Jun-74	769.6	
Jul-74	769.3	
Aug-74	769.1	
Sep-74	769	
Oct-74	768.7	
Nov-74	768.7	
Dec-74	768.7	
Jan-75	768.8	
Feb-75	768.9	
Mar-75	769.1	
Apr-75	769.2	
May-75	769.3	
Jun-75	769.1	
Jul-75	769.3	
Aug-75	768.6	
Sep-75	768.4	
Oct-75	768.2	
Nov-75	768.1	
Dec-75	768.1	
Jan-76	768.1	
Feb-76	768.1	
Apr-76	768.2	
May-76	768.2	
Aug-76	767.4	
Sep-76	767.3	

**WATER CONSERVATION – SUMMARY – GROUND WATER****GROUND WATER FLUCTUATION:**

**Location: San Fernando Valley, Canoga Park**  
**Ground Surface Elevation: 788.5 ft above MSL**

STATION	4709	3600H
	WS Elev.	WS Elev.
Oct-76	767.2	
Nov-76	766.9	
Dec-76	766.7	
Jan-77	766.9	
Feb-77	767	
Mar-77	766.8	
Apr-77	766.9	
Jun-77	766.5	
Jul-77	766.2	
Aug-77	766	
Sep-77	765.8	
Oct-77	765.4	
Nov-77	765.4	
Dec-77	765.2	
Jan-78	765.7	
Feb-78	766.2	
Mar-78	767.5	
Apr-78	767.7	
May-78	767.8	
Jun-78	767.7	
Jul-78	767.6	
Aug-78	767.4	
Sep-78	767.3	
Oct-78	767.2	
Nov-78	767.2	
Dec-78	766.8	
Jan-79	767.4	
Mar-79	768.4	
Apr-79	768.6	
May-79	768.7	
Jun-79	768.7	
Aug-79	768.5	
Sep-79	768.3	
Oct-79	768.4	
Nov-79	768.2	
Dec-79	768.2	
Jan-80	768.5	
Feb-80	769.5	
Mar-80	770	
Nov-80	769.6	
Nov-81	769.3	
Apr-82	769.9	
Nov-82	769.1	
Apr-83	771.1	
Oct-83	771.2	

**Location: San Fernando Valley, Canoga Park**  
**Ground Surface Elevation: 788.5 ft above MSL**

STATION	4709	3600H
	WS Elev.	WS Elev.
Jan-84	771.4	
Feb-84	771.5	
Mar-84	771.5	
Apr-84	771.5	
May-84	771.5	
Jun-84	771.4	
Jul-84	771.2	
Aug-84	771	
Sep-84	770.8	
Oct-84	770.7	
Nov-84	770.4	
Jan-85	770.7	
Feb-85	771	
Mar-85	770.7	
Apr-85	770.7	
May-85	770.6	
Jun-85	770.5	
Jul-85	770.2	
Aug-85	770	
Sep-85	769.9	
Nov-85	769.7	
Dec-85	769.9	
Jan-86	769.9	
Mar-86	770.6	
Apr-86	770.7	
May-86	770.7	
Oct-86	769.9	
Nov-86	769.8	
Dec-86	769.7	
Jan-87	769.6	
Apr-87	769.4	
May-87	769.2	
Jun-87	768.6	
Jul-87	768.9	
Aug-87	768.7	
Sep-87	768.6	
Oct-87	768.4	
Nov-87	768.7	
Dec-87	768.7	
Jan-88	768.7	
Mar-88	768.8	
May-88	768.9	
Jun-88	768.8	
Jul-88	768.6	
Aug-88	768.3	



## WATER CONSERVATION – SUMMARY – GROUND WATER

**GROUND WATER FLUCTUATION:**

**Location: San Fernando Valley, Canoga Park**  
**Ground Surface Elevation: 788.5 ft above MSL**

STATION	4709	3600H
	WS Elev.	WS Elev.
Sep-88	768.2	
Oct-88	768.1	
Nov-88	767.8	
Dec-88	767.8	
Feb-89	766.4	
Mar-89	768	
Apr-89	768	
Sep-89	766.6	
Oct-89	766.4	
Nov-89	766.3	
Dec-89	766.3	
Apr-90	766.3	
May-90	766.1	
Jun-90	765.8	
Jul-90	765.5	
Aug-90	765.5	
Sep-90	765.2	
Oct-90	764.7	
Nov-90	764.6	
Dec-90	764.8	
Jan-91	764.8	
Feb-91	764.8	
Mar-91	764.9	
Apr-91	765.2	
May-91	765.2	
Jun-91	765	
Jul-91	764.7	
Aug-91	764.5	
Sep-91	764.3	
Oct-91	764	
Nov-91	763.8	
Dec-91	763.6	
Jan-92	764	
Feb-92	764.4	774.1
Mar-92	765.2	774.6
Apr-92	765.3	
May-92	765.6	775.1
Jun-92	765.6	774.7
Jul-92	765.4	774.1
Aug-92	765.1	774.2
Sep-92	764.9	773.7
Oct-92	764.6	773.5
Nov-92	764.6	773.4
Dec-92	764.7	773.4
Jan-93	765.4	

**Location: San Fernando Valley, Canoga Park**  
**Ground Surface Elevation: 788.5 ft above MSL**

STATION	4709	3600H
	WS Elev.	WS Elev.
Feb-93	766	776.6
Mar-93	766.8	
Apr-93	766.9	
May-93	766.8	776.1
Jun-93	766.7	775.9
Jul-93	766.5	775.3
Aug-93	766.4	774.9
Sep-93	766.4	774.7
Nov-93	766.1	774.2
Dec-93	764.7	774.2
Jan-94	766.2	774.1
Feb-94	766.3	774.2
Mar-94	766	774.1
Apr-94	765.9	
May-94	765.9	
Jun-94	765.8	
Jul-94	765.6	
Aug-94	765.6	773.9
Sep-94	765.1	773.6
Oct-94	765	773.5
Nov-94	765	773.5
Dec-94	764.9	773.3
Jan-95	765.4	773.4
Feb-95	766.1	774.6
Mar-95	766.4	774.9
Apr-95	766.7	
May-95	766.7	774.9
Jun-95	766.7	774.8
Jul-95	destroyed	774.5
Sep-95		774.3
Oct-95		774
Mar-96		773.8
Apr-97		773.5

## WATER CONSERVATION – SUMMARY – GROUND WATER

**GROUND WATER FLUCTUATION:**

**Location: San Fernando Valley, Burbank**  
**Ground Surface Elevation: 546.5 ft above MSL**

STATION	3872 H
	WS Elev.
Jul-64	439.8
Oct-64	430.2
Nov-64	430.7
Dec-64	430
Jan-65	433
Feb-65	431.5
Mar-65	431.1
Apr-65	429.8
May-65	427.3
Jul-65	426
Aug-65	425.5
Sep-65	426.7
Oct-65	427.7
Nov-65	425.2
Dec-65	424.9
Jan-66	424.7
Feb-66	425.2
Mar-66	424.7
Apr-66	423
May-66	422
Jun-66	422
Jul-66	418.1
Aug-66	415.3
Sep-66	415.4
Oct-66	414.5
Nov-66	415.7
Dec-66	417.5
Jan-67	414.7
Feb-67	414.2
Mar-67	414.9
Apr-67	414.4
May-67	415
Jun-67	413.8
Jul-67	413.4
Aug-67	413
Sep-67	411.9
Oct-67	412.6
Nov-67	412.1
Dec-67	412.4
Jan-68	413
Feb-68	414
Mar-68	412.8
Apr-68	412.1
May-68	411.6
Jun-68	411.3

**Location: San Fernando Valley, Burbank**  
**Ground Surface Elevation: 546.5 ft above MSL**

STATION	3872 H
	WS Elev.
Jul-68	411.1
Aug-68	410.3
Sep-68	410.9
Oct-68	410.4
Nov-68	412.1
Dec-68	411.7
Jan-69	412.8
Feb-69	420.2
Mar-69	421.3
Apr-69	422.2
May-69	421.7
Jun-69	419.1
Jul-69	414.8
Aug-69	414.2
Sep-69	414.9
Oct-69	415.6
Nov-69	415
Dec-69	416.7
Jan-70	420.4
Feb-70	420.4
Mar-70	420.6
Apr-70	422.7
May-70	421.4
Jun-70	422.4
Jul-70	421.6
Aug-70	421.4
Sep-70	421.7
Oct-70	422
Nov-70	423.3
Dec-70	424.2
Feb-71	421.6
Mar-71	423
Apr-71	427.2
May-71	427.6
Jun-71	428
Jul-71	425.6
Aug-71	425.1
Sep-71	428.2
Oct-71	427.7
Nov-71	429.1
Jan-72	436.5
Feb-72	436.7
May-72	430.4
Jun-72	430.6
Jul-72	429.5

## WATER CONSERVATION – SUMMARY – GROUND WATER

**GROUND WATER FLUCTUATION:**

**Location: San Fernando Valley, Burbank**  
**Ground Surface Elevation: 546.5 ft above MSL**

STATION	3872 H
	WS Elev.
Aug-72	428.5
Sep-72	427.2
Oct-72	427.8
Nov-72	429.4
Dec-72	430.6
Jan-73	430.8
Feb-73	431.3
Mar-73	432.6
Apr-73	431.8
May-73	432.1
Jun-73	436.6
Aug-73	436
Sep-73	429.8
Nov-73	436.4
Jan-74	439.2
Feb-74	439.9
Mar-74	439.6
Apr-74	438.8
May-74	439.1
Jun-74	439.9
Jul-74	438.7
Aug-74	438.1
Sep-74	438.2
Oct-74	438.1
Nov-74	438.8
Dec-74	438.7
Jan-75	440.5
Feb-75	440
Mar-75	439.8
Apr-75	440.4
May-75	440.2
Jun-75	441.5
Jul-75	437.5
Sep-75	430.9
Oct-75	435.9
Nov-75	437.1
Dec-75	439.5
Jan-76	440.5
Feb-76	439.7
Mar-76	439.5
Apr-76	440.1
May-76	440.7
Jun-76	440.5
Jul-76	438.3
Aug-76	439

**Location: San Fernando Valley, Burbank**  
**Ground Surface Elevation: 546.5 ft above MSL**

STATION	3872 H
	WS Elev.
Sep-76	438.3
Oct-76	438.8
Nov-76	438.9
Jan-77	439.5
Feb-77	439.9
Mar-77	439.6
Apr-77	439.9
May-77	438.8
Jun-77	435.8
Jul-77	435.7
Aug-77	429.4
Sep-77	427.6
Oct-77	433.7
Nov-77	434.7
Dec-77	432.2
Jan-78	435.7
Mar-78	436.8
Apr-78	437.7
May-78	439.1
Jun-78	439.2
Jul-78	437.4
Aug-78	439.3
Sep-78	439.2
Oct-78	439.7
Nov-78	441.5
Dec-78	445.2
Jan-79	446.4
Feb-79	450
Mar-79	450
Apr-79	450.6
May-79	449.2
Jun-79	451.9
Jul-79	452
Aug-79	452.4
Sep-79	452.9
Oct-79	450.2
Nov-79	456.5
Jan-80	458.8
Mar-80	461.6
Apr-80	462.2
May-80	463.7
Jun-80	465.2
Jul-80	466.7
Aug-80	467
Sep-80	466.4

**WATER CONSERVATION – SUMMARY – GROUND WATER**
**GROUND WATER FLUCTUATION:**

**Location: San Fernando Valley, Burbank**  
**Ground Surface Elevation: 546.5 ft above MSL**

STATION	3872 H
	WS Elev.
Oct-80	470.2
Dec-80	472.6
Jan-81	474.2
Feb-81	475.6
Mar-81	476.5
Apr-81	477.3
May-81	475.8
Jun-81	476.4
Jul-81	476.2
Aug-81	476.2
Sep-81	471.2
Oct-81	475.4
Dec-81	478.2
Jan-82	478.3
Feb-82	477.9
Mar-82	478.1
Apr-82	479.7
Jun-82	480.2
Jul-82	480.2
Sep-82	480.5
Oct-82	478.5
Nov-82	479.7
Dec-82	479.1
Feb-83	479.7
Mar-83	480.8
Apr-83	481.2
May-83	484.2
Jun-83	483.5
Jul-83	483.7
Aug-83	484
Sep-83	485.4
Oct-83	487.9
Nov-83	487.6
Dec-83	487.2
Jan-84	487.7
Feb-84	490.7
Mar-84	490
Apr-84	491.9
May-84	490.3
Jun-84	489.9
Jul-84	490.3
Aug-84	488.5
Sep-84	487.7
Oct-84	487.8
Nov-84	486

**Location: San Fernando Valley, Burbank**  
**Ground Surface Elevation: 546.5 ft above MSL**

STATION	3872 H
	WS Elev.
Dec-84	486.2
Jan-85	487.4
May-85	489.2
Jun-85	489
Jul-85	488.7
Aug-85	487.9
Sep-85	488.5
Oct-85	487.8
Nov-85	487.6
Dec-85	487.3
Jan-86	487.9
Feb-86	489.3
Mar-86	489.5
Apr-86	489.2
May-86	489.2
Jun-86	488.8
Jul-86	489.2
Aug-86	488.8
Sep-86	488.9
Oct-86	489.3
Nov-86	489.5
Dec-86	489.8
Jan-87	489.2
Feb-87	490.4
Mar-87	490.7
Apr-87	488.9
May-87	489.5
Jun-87	491.4
Aug-87	488
Sep-87	487.1
Oct-87	486.8
Nov-87	486.2
Jan-88	485.2
Feb-88	485
Mar-88	485.4
Apr-88	483.9
May-88	483.4
Jun-88	483
Jul-88	482.1
Aug-88	481.7
Sep-88	481.1
Oct-88	480.9
Nov-88	480.4
Dec-88	480
Jan-89	479.7

## WATER CONSERVATION – SUMMARY – GROUND WATER

**GROUND WATER FLUCTUATION:**

**Location: San Fernando Valley, Burbank**  
**Ground Surface Elevation: 546.5 ft above MSL**

STATION	3872 H
	WS Elev.
Feb-89	479.4
Mar-89	478.8
Apr-89	478.5
May-89	477.8
Jun-89	477.6
Jul-89	477.3
Aug-89	476.6
Sep-89	475.9
Oct-89	475.7
Nov-89	475.9
Dec-89	475.8
Jan-90	476.1
Feb-90	476.6
Mar-90	476.9
Apr-90	476.7
May-90	476.6
Jun-90	474.5
Aug-90	473.6
Sep-90	472.8
Oct-90	473.2
Nov-90	472.8
Dec-90	473.9
Jan-91	473.5
Feb-91	473.8
May-91	472.7
Jun-91	472
Jul-91	470.8
Aug-91	471.4
Sep-91	470.6
Oct-91	470.6
Nov-91	469.6
Dec-91	469.7
Jan-92	469.8
Mar-92	469.5
Apr-92	469.5
May-92	469
Jun-92	469
Jul-92	468.4
Nov-92	463.2
Dec-92	461.6
Jul-93	473.7
Sep-93	467
Oct-93	468.4
Nov-93	467.5
Dec-93	468.1

**Location: San Fernando Valley, Burbank**  
**Ground Surface Elevation: 546.5 ft above MSL**

STATION	3872 H
	WS Elev.
Feb-94	479.2
Mar-94	474
Apr-94	472
May-94	480.9
Jun-94	478
Jul-94	473.5
Aug-94	473
Sep-94	473.7
Oct-94	473.7
Nov-94	472.5
Dec-94	476.7
Jan-95	473.7
Feb-95	474.3
Mar-95	474.7
Apr-95	474.5
May-95	474.6
Jun-95	475.1
Jul-95	475.2
Sep-95	475.1
Oct-95	476.6
Nov-95	485.6
Dec-95	477.3
Jan-96	476.7
Feb-96	483.4
Mar-96	484.1
Apr-96	483.3
May-96	477.2
Jun-96	475.9
Jul-96	474.9
Aug-96	474.6
Sep-96	473.4
Oct-96	482
Nov-96	475.4
Dec-96	478.2
Jan-97	483.1
Mar-97	483.1
Apr-97	483.2
May-97	474.7
Jun-97	477.6
Aug-97	478
Sep-97	471.1
Dec-97	477.6
Jan-98	478.6
Feb-98	478.6
Mar-98	479.8

<b>WATER CONSERVATION – SUMMARY – GROUND WATER</b>
--

**GROUND WATER FLUCTUATION:**

**Location: San Fernando Valley, Burbank**  
**Ground Surface Elevation: 546.5 ft above MSL**

STATION	3872 H
	WS Elev.
Apr-98	471
May-98	470.7
Jun-98	471.3
Jul-98	472.9
Aug-98	471.2
Sep-98	475.2
Oct-98	471.6
Nov-98	471.6
Dec-98	480.5
Mar-99	480
Apr-99	479.4
May-99	472.9
Jun-99	469.9
Jul-99	466.2
Aug-99	469.7
Sep-99	463.1

**Location: San Fernando Valley, Burbank**  
**Ground Surface Elevation: 546.5 ft above MSL**

STATION	3872 H
	WS Elev.

**WATER CONSERVATION – SUMMARY – GROUND WATER****GROUND WATER FLUCTUATION:****Location: Raymond Basin****Ground Surface Elevation: 749.9 ft above MSL**

STATION	4057 H
	WS Elev.
Jan-52	639.3
Feb-52	642.1
Aug-52	642.3
Sep-52	641.1
Oct-52	640.5
Nov-52	640.1
Dec-52	640.2
Jan-53	641.1
Feb-53	640.1
Mar-53	640.6
Apr-53	641.3
May-53	641.4
Jun-53	641.5
Jul-53	640.2
Aug-53	640.2
Sep-53	640.3
Oct-53	639.4
Nov-53	636.9
Dec-53	639.5
Jan-54	641.9
Mar-54	640.4
Apr-54	639.5
May-54	640.7
Jun-54	637.7
Jul-54	640.4
Aug-54	640.5
Sep-54	638
Oct-54	640.3
Nov-54	640.3
Dec-54	641
Jan-55	638.2
Feb-55	642.3
Mar-55	642
Apr-55	643
May-55	641.1
Jun-55	643.9
Jul-55	644.5
Aug-55	643.8
Sep-55	642.2
Oct-55	644.1
Nov-55	643.4
Dec-55	642.9
Jan-56	644.9
Feb-56	645.1
Mar-56	643.5

**Location: Raymond Basin****Ground Surface Elevation: 749.9 ft above MSL**

STATION	4057 H
	WS Elev.
Apr-56	642.6
May-56	640.2
Jun-56	640.9
Jul-56	642
Aug-56	640.6
Sep-56	639.9
Oct-56	639.5
Nov-56	638.7
Dec-56	638.1
Jan-57	637.9
Feb-57	637.3
Mar-57	637
Apr-57	636.9
May-57	636.4
Jun-57	637.3
Jul-57	640
Aug-57	637.3
Sep-57	635.9
Oct-57	635.1
Nov-57	637.8
Dec-57	638.7
Jan-58	638.7
Feb-58	638.7
Mar-58	636.8
Apr-58	638
May-58	635
Jun-58	633.9
Jul-58	636.1
Aug-58	637
Sep-58	636.4
Oct-58	636.4
Nov-58	635.9
Dec-58	635.7
Jan-59	635.2
Feb-59	635
Mar-59	634.7
Apr-59	634.2
May-59	634
Jun-59	632.8
Jul-59	633
Aug-59	630.8
Sep-59	632.1
Oct-59	631.9
Nov-59	631.3
Dec-59	631.1

**WATER CONSERVATION – SUMMARY – GROUND WATER****GROUND WATER FLUCTUATION:****Location: Raymond Basin****Ground Surface Elevation: 749.9 ft above MSL**

STATION	4057 H
	WS Elev.
Jan-60	630.7
Feb-60	630.4
Mar-60	630.1
Apr-60	629.8
May-60	629.7
Jun-60	629.6
Jul-60	629.3
Aug-60	629.1
Sep-60	626.1
Oct-60	616.1
Nov-60	628
Dec-60	627.7
Jan-61	626.7
Feb-61	627.4
Mar-61	626.7
Apr-61	626.6
May-61	625.8
Jun-61	625.7
Jul-61	625.4
Aug-61	624.9
Sep-61	624.3
Oct-61	623.9
Nov-61	622.4
Dec-61	622.4
Jan-62	622.7
Feb-62	622.6
Mar-62	622.2
Apr-62	619.3
May-62	618.4
Jun-62	616.2
Jul-62	618.4
Aug-62	618.6
Sep-62	618.5
Oct-62	618.4
Nov-62	617.9
Dec-62	617.7
Jan-63	617.2
Feb-63	616.7
Mar-63	616.5
Apr-63	616
May-63	614.1
Jun-63	614.5
Jul-63	614.8
Aug-63	614.1
Sep-63	613.6

**Location: Raymond Basin****Ground Surface Elevation: 749.9 ft above MSL**

STATION	4057 H
	WS Elev.
Oct-63	610.8
Nov-63	611.7
Dec-63	612.1
Jan-64	611.3
Feb-64	610.9
Mar-64	610.9
Apr-64	610.3
May-64	609.9
Jun-64	608.9
Jul-64	608.9
Aug-64	607.8
Sep-64	607.9
Oct-64	607.7
Nov-64	607.3
Dec-64	606.2
Jan-65	606.2
Feb-65	606
Mar-65	605.6
Apr-65	605.4
May-65	605.2
Jun-65	604.9
Jul-65	604.7
Aug-65	604.4
Sep-65	604.1
Oct-65	603.7
Nov-65	603.3
Dec-65	602.9
Jan-66	602.4
Feb-66	602.2
Mar-66	601.8
Apr-66	601.4
May-66	598.3
Jun-66	600.8
Jul-66	596.9
Aug-66	593.9
Sep-66	591.8
Oct-66	591
Nov-66	590.2
Dec-66	588.8
Jan-67	587.8
Feb-67	587
Mar-67	586.6
Apr-67	585.9
May-67	585.4
Jun-67	584.9



## WATER CONSERVATION – SUMMARY – GROUND WATER

**GROUND WATER FLUCTUATION:****Location: Raymond Basin****Ground Surface Elevation: 749.9 ft above MSL**

STATION	4057 H
	WS Elev.
Jul-67	583.2
Aug-67	584.5
Sep-67	584.1
Oct-67	583.7
Nov-67	583.6
Dec-67	583.3
Jan-68	582.9
Feb-68	582.5
Mar-68	582.7
Apr-68	582.7
May-68	582.1
Jun-68	581.6
Jul-68	581.4
Aug-68	581.9
Sep-68	581.4
Oct-68	581.3
Nov-68	581.5
Dec-68	581.1
Jan-69	580.4
Feb-69	581.3
Mar-69	581.4
Apr-69	581.1
May-69	581.3
Jun-69	581.6
Jul-69	578.9
Aug-69	578.5
Sep-69	584.1
Oct-69	584.5
Nov-69	585.2
Dec-69	585.9
Jan-70	586.5
Feb-70	586.9
Mar-70	587.4
Apr-70	587.7
May-70	588.2
Jun-70	588.3
Jul-70	588.6
Aug-70	588
Sep-70	587.9
Oct-70	589.9
Nov-70	590.3
Dec-70	591.7
Jan-71	590.9
Feb-71	591.4
Mar-71	591.3

**Location: Raymond Basin****Ground Surface Elevation: 749.9 ft above MSL**

STATION	4057 H
	WS Elev.
Apr-71	592.1
May-71	592.9
Jun-71	593.4
Jul-71	592.9
Aug-71	594.5
Sep-71	595.1
Oct-71	591.5
Nov-71	595.9
Dec-71	596.1
Jan-72	596.4
Feb-72	596.8
Mar-72	596.9
Apr-72	596.6
May-72	596.1
Jun-72	596.8
Jul-72	597.3
Aug-72	597.4
Sep-72	597.7
Oct-72	598.1
Nov-72	598.6
Dec-72	598.7
Jan-73	598.9
Feb-73	599.1
Mar-73	599.2
Apr-73	599.6
May-73	599.7
Jun-73	595.9
Jul-73	600.2
Aug-73	600.6
Sep-73	600.8
Oct-73	600.8
Nov-73	601.3
Dec-73	601.6
Jan-74	602
Feb-74	602.3
Mar-74	601.1
Apr-74	602.7
May-74	604.2
Jun-74	603.2
Jul-74	603.4
Aug-74	604.3
Sep-74	604.4
Oct-74	604.9
Nov-74	604.8
Dec-74	599.7

## WATER CONSERVATION – SUMMARY – GROUND WATER

**GROUND WATER FLUCTUATION:****Location: Raymond Basin****Ground Surface Elevation: 749.9 ft above MSL**

STATION	4057 H
	WS Elev.
Jan-75	604.2
Feb-75	604
Mar-75	604.7
Apr-75	605.6
May-75	604
Jun-75	603.6
Jul-75	605.1
Aug-75	603.3
Sep-75	603.2
Oct-75	604.8
Nov-75	603.8
Dec-75	602.8
Jan-76	602.3
Feb-76	602.5
Mar-76	602
Apr-76	601.9
May-76	601.6
Jun-76	601.6
Jul-76	601.4
Aug-76	601.3
Sep-76	601.5
Oct-76	601.6
Nov-76	601.2
Dec-76	601.2
Jan-77	601
Feb-77	600.9
Mar-77	600.9
Apr-77	600.8
May-77	600.6
Jun-77	604.4
Jul-77	600.3
Aug-77	599.4
Sep-77	599.9
Oct-77	609.7
Nov-77	599
Dec-77	599
Jan-78	597.1
Feb-78	598.1
Mar-78	597.9
May-78	597.6
Jun-78	597.5
Aug-78	597.9
Sep-78	598.8
Oct-78	597.9
Dec-78	598

**Location: Raymond Basin****Ground Surface Elevation: 749.9 ft above MSL**

STATION	4057 H
	WS Elev.
Mar-79	598.2
Jul-79	598.2
Oct-79	598.4
Dec-79	598.7
Apr-80	598
Aug-80	597.8
Nov-80	597.3
Jan-81	597.1
Mar-81	597.1
Apr-81	598.9
May-81	597
Jun-81	597.1
Aug-81	597.3
Sep-81	597.6
Nov-81	597.9
Feb-82	598.4
Apr-82	600.9
May-82	598.9
Jun-82	598.7
Jul-82	598.9
Aug-82	590
Sep-82	588.3
Oct-82	598.9
Nov-82	602.9
Dec-82	591.9
Jan-83	592.6
Feb-83	598.4
Mar-83	598
Apr-83	597.8
May-83	597.7
Jun-83	597.4
Jul-83	597.4
Aug-83	597.4
Sep-83	597.6
Oct-83	597.5
Nov-83	597.2
Dec-83	597.5
Jan-84	597.6
Feb-84	597.3
Mar-84	597.3
Apr-84	597.3
May-84	597.3
Jun-84	596.9
Jul-84	597.4
Aug-84	595.9

**WATER CONSERVATION – SUMMARY – GROUND WATER****GROUND WATER FLUCTUATION:****Location: Raymond Basin****Ground Surface Elevation: 749.9 ft above MSL**

STATION	4057 H
	WS Elev.
Sep-84	596.1
Oct-84	599
Nov-84	595.9
Dec-84	591.4
Jan-85	596.4
Feb-85	595.9
Mar-85	596.4
Apr-85	598
May-85	596.4
Jun-85	595.9
Jul-85	596.9
Aug-85	596.1
Sep-85	595.9
Oct-85	593.9
Dec-85	597.4
Jan-86	597.4
Mar-86	596.4
Apr-86	592.9
May-86	615.4
Jun-86	596.9
Jul-86	596.9
Aug-86	593.4
Sep-86	603.9
Oct-86	593.4
Nov-86	597.4
Dec-86	579
Jan-87	592.4
Feb-87	594.9
Mar-87	594.9
Apr-87	585.3
May-87	597.1
Jun-87	597.2
Jul-87	590.4
Aug-87	596
Sep-87	595.9
Oct-87	595.2
Nov-87	594.7
Dec-87	594.5
Jan-88	593.9
Feb-88	593.3
Mar-88	592.8
Apr-88	592.6
May-88	592.3
Jun-88	591.8
Jul-88	591.7

**Location: Raymond Basin****Ground Surface Elevation: 749.9 ft above MSL**

STATION	4057 H
	WS Elev.
Aug-88	591.5
Sep-88	591.2
Oct-88	590.9
Nov-88	590.8
Dec-88	590.4
Jan-89	590.1
Feb-89	589.8
Mar-89	589.3
Apr-89	589.1
May-89	589
Jun-89	588.8
Jul-89	588.4
Aug-89	588.2
Sep-89	587.9
Oct-89	583.2
Nov-89	587.2
Dec-89	587.1
Jan-90	586.7
Feb-90	586.4
Mar-90	586.4
Apr-90	582.4
May-90	586
Jun-90	584
Jul-90	585.9
Aug-90	580.6
Sep-90	585.8
Oct-90	585.8
Nov-90	585.8
Dec-90	585.8
Jan-91	585.8
Feb-91	585.9
Apr-91	581.2
May-91	586.3
Jun-91	586.5
Jul-91	586.8
Aug-91	574.8
Sep-91	587.9
Oct-91	586.7
Nov-91	586.6
Dec-91	586.6
Jan-92	586.6
Mar-92	586.7
Apr-92	586.8
May-92	587.1
Jun-92	587.1

## WATER CONSERVATION – SUMMARY – GROUND WATER

**GROUND WATER FLUCTUATION:****Location: Raymond Basin****Ground Surface Elevation: 749.9 ft above MSL**

STATION	4057 H
	WS Elev.
Jul-92	581.6
Aug-92	577
Sep-92	570
Oct-92	589
Nov-92	589
Dec-92	589
Feb-93	579.9
Mar-93	584.1
Apr-93	577.7
May-93	573.7
Jun-93	569.9
Aug-93	572.7
Sep-93	594.4
Oct-93	576.4
Nov-93	585.6
Dec-93	577.2
Jan-94	598.4
Feb-94	597.9
Mar-94	598.4
Apr-94	598.4
May-94	600.1
Jun-94	600.9
Jul-94	601.9
Aug-94	602.4
Sep-94	603.2
Oct-94	604
Nov-94	604.9
Dec-94	608.4
Jan-95	609.2
Feb-95	609.7
Mar-95	609.9
Apr-95	583.2
May-95	611.1
Jun-95	611.9
Jul-95	612.4
Aug-95	612.7
Sep-95	613.2
Oct-95	613.2
Dec-95	613.7
Jan-96	613.9
Feb-96	614.2
Mar-96	614.4
Apr-96	614.5
May-96	614.8
Jun-96	615

**Location: Raymond Basin****Ground Surface Elevation: 749.9 ft above MSL**

STATION	4057 H
	WS Elev.
Jul-96	615.1
Aug-96	616.2
Sep-96	615.1
Oct-96	614.7
Nov-96	614.8
Dec-96	614.4
Jan-97	614.5
Feb-97	614.6
Mar-97	614.5
Apr-97	614.8
May-97	614.9
Jun-97	615.1
Jul-97	613.7
Aug-97	615.2
Sep-97	615.1
Dec-97	614.9
Jan-98	614.7
Feb-98	614.8
Mar-98	614.9
May-98	615.2
Jun-98	615.4
Jul-98	615.5
Aug-98	615.4
Sep-98	615.1
Oct-98	614.7
Nov-98	614.4
Dec-98	614.1
Jan-99	613.8
Feb-99	613.4
Mar-99	613.5
Apr-99	613.5
May-99	613.1
Jun-99	613.1
Jul-99	612.9
Aug-99	612.8
Sep-99	612.9

**WATER CONSERVATION – SUMMARY – GROUND WATER**
**GROUND WATER FLUCTUATION:**

**Location: San Gabriel Canyon Basin, North of Azusa**  
**Ground Surface Elevation: 658.8 ft above MSL**

STATION	4284 A	4285
	WS Elev.	WS Elev.
Jan-64	602.1	597.9
Feb-64	611.9	610.5
Mar-64	616.9	608.4
Apr-64	619.8	616
May-64	631.3	630.7
Jun-64	623.1	617.6
Jul-64	611.4	605
Aug-64	606.3	602.7
Sep-64	606.7	605.9
Oct-64	614.6	613.1
Nov-64	613.3	606.9
Dec-64	612.4	599
Jan-65	613.7	610.3
Feb-65	611.7	606.2
Mar-65	593.6	583.8
Apr-65	591.9	575.7
May-65	642.7	633.3
Jun-65	653.1	635.3
Jul-65	651.9	639.5
Aug-65	653.1	639.3
Sep-65	654.7	638.4
Oct-65	652.2	641.6
Nov-65	656.1	632.8
Dec-65	662.8	638.1
Jan-66	665	650.7
Feb-66	659.8	654.8
Mar-66	665.7	647.1
Apr-66	644.4	639.9
May-66	644.4	634.1
Jun-66		623.8
Jul-66	631.8	621.9
Aug-66	630.1	
Sep-66	629.7	
Oct-66	639	
Nov-66	639.8	
Dec-66	639.2	651.3
Jan-67	658.9	648.9
Feb-67	671.4	657.3
Mar-67	660.7	645.1
Apr-67	660.9	643.5
May-67	653.4	645.4
Jun-67	651.3	639.7
Jul-67	644.6	634.1
Aug-67	644.6	617.3
Sep-67	619.7	597.9

**Location: San Gabriel Canyon Basin, North of Azusa**  
**Ground Surface Elevation: 658.8 ft above MSL**

STATION	4284 A	4285
	WS Elev.	WS Elev.
Oct-67	622.3	617.5
Nov-67	642	627.1
Dec-67	632.3	632.1
Jan-68	654.9	648.4
Feb-68	644.4	642.4
Mar-68	642.7	639.9
Apr-68	651	644.1
May-68	635.7	632.1
Jun-68	626.5	620.6
Jul-68	624.6	620.3
Aug-68	639.7	618.9
Sep-68	606.4	602.5
Oct-68	601.6	
Nov-68	629.6	594
Dec-68	582.9	573.5
Jan-69	599.2	578.5
Feb-69	642.2	620.1
Mar-69	652.7	638
Apr-69	649.3	631.6
May-69	656.9	644
Jun-69	662.6	653
Jul-69	659.8	647.1
Aug-69	652.3	650.1
Sep-69	631.3	638.3
Oct-69	631.3	629.6
Nov-69	631.9	625.7
Dec-69	649.2	641.5
Jan-70	656.6	647.5
Feb-70	649.7	639.5
Mar-70	645	641.9
Apr-70	663.5	649.3
May-70	642.8	644.3
Jun-70	641.3	631.1
Jul-70	630.8	617.5
Aug-70	622.6	595.5
Sep-70	611.6	597.8
Oct-70	609.2	595.5
Nov-70	611.1	594.2
Dec-70	611.8	612
Jan-71	661.5	647.7
Feb-71	664	650.7
Mar-71	662.9	647.6
Apr-71	648.4	642.7
May-71	652.9	626.5
Jun-71	619.4	605.6

**WATER CONSERVATION – SUMMARY – GROUND WATER****GROUND WATER FLUCTUATION:**

**Location: San Gabriel Canyon Basin, North of Azusa**  
**Ground Surface Elevation: 658.8 ft above MSL**

STATION	4284 A	4285
	WS Elev.	WS Elev.
Jul-71	606.4	589.2
Aug-71	598	578.3
Sep-71	595.9	572.9
Oct-71	597.3	575.9
Nov-71	593.4	577.7
Dec-71	586.6	566.3
Jan-72	600.9	571.6
Feb-72	654.4	644.9
Mar-72	647.9	645.4
Apr-72	630	622.7
May-72	605	594.7
Jun-72	596.4	582.3
Jul-72	574.6	558.4
Aug-72	558.2	547.5
Sep-72	556.2	548.9
Oct-72	553.9	537.9
Nov-72	555.4	525.3
Dec-72	627.5	599.6
Jan-73	621.3	
Feb-73	639.3	605.1
Mar-73	664	646.3
Apr-73	664.1	649.8
May-73	661.2	651.3
Jun-73	643.4	645.7
Jul-73	642.4	626.8
Aug-73	642.2	622
Sep-73	633.4	617.7
Oct-73	629.9	611.6
Nov-73	635.9	619.4
Dec-73	653.2	637.2
Jan-74	660.7	639.2
Feb-74		649.1
Mar-74	656.2	630.1
Apr-74		642.1
May-74	653.2	642.4
Jun-74		631.4
Jul-74		635.3
Aug-74	642.2	631.1
Sep-74	639.1	622.9
Oct-74	636.7	622.8
Nov-74	626.1	626
Dec-74		608.5
Jan-75	614.2	601.4
Feb-75	611.9	597
Mar-75	622.2	614.7

**Location: San Gabriel Canyon Basin, North of Azusa**  
**Ground Surface Elevation: 658.8 ft above MSL**

STATION	4284 A	4285
	WS Elev.	WS Elev.
Apr-75	629.7	637.6
May-75	660.2	636.4
Jun-75	658.9	632.6
Jul-75	639.9	627.7
Aug-75	629.2	617
Sep-75	629.2	605.9
Oct-75	631	608.8
Nov-75		616.3
Dec-75	620.1	593
Jan-76	619.7	580
Feb-76	602.6	576.3
Mar-76	635.1	601.4
Apr-76	649.3	643
May-76	630.7	614.7
Jun-76	608.5	601.7
Jul-76	607.9	595.8
Aug-76	608.9	596.8
Sep-76	605.6	590.5
Oct-76	638.3	600.8
Nov-76		617.3
Dec-76	600.7	601.4
Jan-77	608.1	579.7
Feb-77	647.7	629
Mar-77	607	598.6
Apr-77	595.2	584.9
May-77	592.4	585.1
Jun-77	597.1	584.5
Jul-77	598.3	582.4
Aug-77	593.1	578.8
Sep-77	596.9	575.9
Oct-77	600.3	582.6
Nov-77	598.1	579.4
Dec-77	632.3	588.6
Jan-78	639.4	628.3
Feb-78	656.6	643.2
Mar-78	666	646.5
Apr-78	659	642.8
May-78	654.5	648
Jun-78	654.5	642.5
Jul-78	650.4	636.7
Aug-78	641.8	634.7
Sep-78	642.8	619.1
Oct-78	639	625.3
Nov-78	628	619
Dec-78	632.7	616.1

**WATER CONSERVATION – SUMMARY – GROUND WATER****GROUND WATER FLUCTUATION:**

**Location: San Gabriel Canyon Basin, North of Azusa**  
**Ground Surface Elevation: 658.8 ft above MSL**

STATION	4284 A	4285
	WS Elev.	WS Elev.
Jan-79	644.3	640.2
Feb-79	651.1	641.9
Mar-79	647.9	637.1
Apr-79	649	639.1
May-79	646.2	627
Jun-79	642.1	
Jul-79	637.7	625.9
Aug-79	631.1	
Sep-79	622.4	611
Oct-79	624.8	
Nov-79	621.9	610.1
Dec-79	628.9	610.1
Jan-80	615.4	
Feb-80	628.5	612.3
Mar-80	648.5	634.6
Apr-80	651.8	637.2
May-80	652.2	644.5
Jun-80	650.6	637.2
Jul-80	649.1	628.3
Aug-80	641.2	630.3
Sep-80	640.6	619.8
Oct-80	643.6	620.1
Nov-80	664	625.7
Dec-80	637.5	623.3
Jan-81	631.8	622.1
Feb-81	624.8	607.4
Mar-81	623.9	608.1
Apr-81	638	606.4
May-81	615	590
Jun-81	607.2	575.9
Jul-81	584.5	556.9
Aug-81	578.3	555
Sep-81	584.2	555.6
Oct-81	582.4	566.2
Nov-81	598.3	577.6
Dec-81	606	594.1
Jan-82	623.7	610.1
Feb-82	630.7	620.1
Mar-82	636.4	625.8
Apr-82	637.3	620.3
May-82	635.9	608.7
Jun-82	626.4	613.4
Jul-82	636.5	606.4
Aug-82	620.5	596.7
Sep-82	617.1	604.2

**Location: San Gabriel Canyon Basin, North of Azusa**  
**Ground Surface Elevation: 658.8 ft above MSL**

STATION	4284 A	4285
	WS Elev.	WS Elev.
Oct-82	628	620.2
Nov-82	637	622
Dec-82	639.6	632
Jan-83	636	628.4
Feb-83	647.2	629.7
Mar-83	652.4	640.4
Apr-83	652.3	640.2
May-83	651.6	641.4
Jun-83	651.3	634.5
Jul-83	647.8	631.6
Aug-83	641	622.3
Sep-83	630.6	613.5
Oct-83	631.7	615.3
Nov-83	646.6	631.7
Dec-83	645.2	632.9
Jan-84	643.3	628.8
Feb-84	642.9	636
Mar-84	639.8	626.4
Apr-84	626.4	621.3
May-84	617.7	
Jun-84	600.8	589.9
Jul-84	596.5	
Aug-84	579.9	572.3
Sep-84	572	567.3
Oct-84		563.3
Nov-84	573.4	562
Dec-84	570	558.5
Jan-85	609.4	565.7
Feb-85	642.8	627.6
Mar-85		622.3
Apr-85	597	
Jun-85	618.7	
Jul-85	612.3	599.6
Aug-85	594	573.8
Sep-85	588.3	
Oct-85	621	571.8
Nov-85	629.2	619.6
Dec-85	643.7	623.5
Jan-86	647.7	630.8
Feb-86	651.3	634.9
Mar-86	648.3	638.4
Apr-86	645.7	637.9
May-86	646.6	635.3
Jun-86	639.4	625.7
Jul-86	623.3	606.3

## WATER CONSERVATION – SUMMARY – GROUND WATER

**GROUND WATER FLUCTUATION:**

**Location: San Gabriel Canyon Basin, North of Azusa**  
**Ground Surface Elevation: 658.8 ft above MSL**

STATION	4284 A	4285
	WS Elev.	WS Elev.
Aug-86	616.9	599.9
Sep-86	598.5	
Oct-86	587.4	605.3
Nov-86	594	585.8
Dec-86	610.6	599.9
Jan-87	626.3	608.1
Feb-87	635.2	630.4
Mar-87	651	629.2
Apr-87	647.9	632.2
May-87	636.4	
Jun-87	610.5	592.6
Jul-87	597.1	583
Aug-87	580.8	570.8
Sep-87	574	559.7
Oct-87	608	552.3
Nov-87	600.1	553.4
Dec-87	610.8	593.8
Jan-88	627.4	624.2
Feb-88	640	632.9
Mar-88	641.3	638.2
Apr-88	635.2	625.9
May-88	632.5	
Jun-88	641.6	
Aug-88	611.8	
Sep-88	605.6	
Oct-88	619	
Nov-88	612.4	605.1
Dec-88	616.3	
Jan-89	640.8	
May-89	653	
Aug-89	646.2	
Sep-89	644.9	
Oct-89	601	
Mar-90		620.1
Apr-90	650	
Oct-90	631	
Apr-91	643	636.6
May-91	636	
Jun-91	623	
Jul-91	629	
Aug-91	637	
Sep-91	641	629.4
Oct-91	635	
Nov-91	624	
Dec-91	616	

**Location: San Gabriel Canyon Basin, North of Azusa**  
**Ground Surface Elevation: 658.8 ft above MSL**

STATION	4284 A	4285
	WS Elev.	WS Elev.
Jan-92	619	
Feb-92	630	
Mar-92	642	619.3
Apr-92	650	599.1
Oct-92	629	
Nov-92		606.1
Mar-93		634.5
Apr-93	647	633.3
Oct-93	619	
May-94	591	
Nov-94	592.9	
May-95	591	



**WATER CONSERVATION – SUMMARY – GROUND WATER**
**GROUND WATER FLUCTUATION:**

**Location: Upper Claremont Heights**  
**Ground Surface Elevation: 1482.0 ft above MSL**

STATION	4508 B	4508 A
	WS Elev.	WS Elev.
Jan-60	1328.5	
Feb-60	1329.9	
Mar-60	1329	
Apr-60	1318.5	
May-60	1323.5	
Jun-60	1307.6	
Jul-60	1302.3	
Aug-60	1298.2	
Sep-60	1290.5	
Oct-60	1295.9	
Nov-60	1284.4	
Dec-60	1298.8	
Jan-61	1289.7	
Feb-61	1294.9	
Mar-61	1285.6	
Apr-61	1276.5	
May-61	1279	
Jun-61	1276	
Jul-61	1273.3	
Aug-61	1271	
Sep-61	1268	
Oct-61	1265.6	
Nov-61	1263.4	
Dec-61	1265.4	
Jan-62	1265.6	
Feb-62	1268.6	
Mar-62	1270.2	
Apr-62	1269.1	
May-62	1269.5	
Jun-62	1266.8	
Dec-62	1258.2	
Jan-63	1259.4	
Feb-63	1262.7	
Mar-63	1265.4	
Apr-63	1268.6	
May-63	1271.7	
Jun-63	1267.2	
Jul-63	1264.1	
Aug-63	1262.2	
Sep-63	1261.1	
Oct-63	1261	
Nov-63	1260.3	
Dec-63	1262.5	
Jan-64	1261.9	
Feb-64	1263.7	

**Location: Upper Claremont Heights**  
**Ground Surface Elevation: 1482.0 ft above MSL**

STATION	4508 B	4508 A
	WS Elev.	WS Elev.
Mar-64	1262.3	
Apr-64	1263.5	
May-64	1261.9	
Jun-64	1258.8	
Aug-64	1253.2	
Sep-64	1251.9	
Oct-64	1250.3	
Nov-64	1248.2	
Dec-64	1248.6	
Jan-65	1246.9	
Feb-65	1250.8	
Mar-65	1251	
Apr-65	1251.9	
May-65	1251.9	
Jun-65	1252.1	
Jul-65	1250	
Aug-65	1247.4	
Sep-65	1246.1	
Oct-65	1244.3	
Nov-65	1247	
Dec-65	1244.8	
Jan-66	1245	
Feb-66	1247.6	
Mar-66	1253.1	
Apr-66	1288.3	
May-66	1320.4	
Jun-66	1338	
Jul-66	1351.7	
Aug-66	1355.8	
Sep-66	1357.7	
Oct-66	1350.8	
Nov-66	1348	
Dec-66	1346.9	
Jan-67	1349	
Feb-67	1355.3	
Mar-67	1363.2	
Apr-67	1371.1	
May-67	1381.4	
Jun-67	1386.3	
Jul-67	1401	
Aug-67	1404.1	
Sep-67	1402.2	
Oct-67	1395.8	
Nov-67	1391.8	
Dec-67	1387.6	

**WATER CONSERVATION – SUMMARY – GROUND WATER**
**GROUND WATER FLUCTUATION:**

**Location: Upper Claremont Heights**  
**Ground Surface Elevation: 1482.0 ft above MSL**

STATION	4508 B	4508 A
	WS Elev.	WS Elev.
Jan-68	1385.4	
Feb-68	1382.5	
Mar-68	1380.2	
Apr-68	1377.9	
May-68	1372	
Jun-68	1373.3	
Jul-68	1363.2	
Aug-68	1358.3	
Sep-68	1352.3	
Oct-68	1346.9	
Nov-68	1342.8	
Dec-68	1339.8	
Jan-69	1339.7	
Mar-69	1341.8	
Apr-69	1373.1	
May-69	1424.9	
Jun-69	1454.9	
Jul-69	1447.4	
Aug-69	1444.5	
Sep-69	1431.4	
Oct-69	1422.2	
Nov-69	1411.4	
Dec-69	1405.7	
Jan-70	1399.1	
Feb-70	1395.2	
Mar-70	1391	
Apr-70	1388.4	
May-70	1383.2	
Jun-70	1378.2	
Jul-70	1376	
Aug-70	1378.1	
Sep-70	1363.1	
Oct-70	1359.8	
Nov-70	1354.1	
Dec-70	1351.2	
Jan-71	1352	
Feb-71	1352.1	
Mar-71	1352	
Apr-71	1349.8	
May-71	1337	
Jun-71	1330.1	
Jul-71	1325.3	
Aug-71	1326.6	
Sep-71	1312.1	
Oct-71	1310.5	

**Location: Upper Claremont Heights**  
**Ground Surface Elevation: 1482.0 ft above MSL**

STATION	4508 B	4508 A
	WS Elev.	WS Elev.
Nov-71	1319.6	
Dec-71	1318.8	
Jan-72	1319.3	
Feb-72	1319.6	
Mar-72	1314.7	
Apr-72	1299.8	
May-72	1311	
Jun-72	1297.7	
Jul-72	1292.4	
Aug-72	1290.1	
Sep-72	1287.3	
Oct-72	1287.6	
Nov-72	1286.5	
Dec-72	1296.1	
Jan-73	1298.2	
Feb-73	1300	
Mar-73	1302.1	
Apr-73	1303.7	
May-73	1298.1	
Jun-73	1304.8	
Jul-73	1302.2	
Aug-73	1297.4	
Oct-73	1314.9	
Nov-73	1308.3	
Dec-73	1322.4	
Jan-74	1333.4	
Feb-74	1332.7	
Mar-74	1335.3	
Apr-74	1336.3	
May-74	1327.3	
Jun-74	1325.5	
Jul-74	1323	
Aug-74	1322.5	
Sep-74	1312.1	
Oct-74	1306.5	
Nov-74	1319.2	
Dec-74	1321.9	
Jan-75	1323.1	
Feb-75	1322.5	
Mar-75	1322.9	
Apr-75	1324.7	
May-75	1324.1	
Jun-75	1314.3	
Jul-75	1305.2	
Aug-75	1301.1	

**WATER CONSERVATION – SUMMARY – GROUND WATER****GROUND WATER FLUCTUATION:**

**Location: Upper Claremont Heights**  
**Ground Surface Elevation: 1482.0 ft above MSL**

STATION	4508 B	4508 A
	WS Elev.	WS Elev.
Sep-75	1299.2	
Oct-75	1303.6	
Nov-75	1303.6	
Dec-75	1301.1	
Jan-76	1296.9	
Feb-76	1293.7	
Mar-76	1306.3	
Apr-76	1306.2	
May-76	1296.4	
Jun-76	1294.2	
Jul-76	1289	
Aug-76	1286.4	
Sep-76	1286.5	
Oct-76	1286.1	
Nov-76	1285.9	
Dec-76	1293.2	
Jan-77	1294.5	
Feb-77	1287.7	
Mar-77	1290.9	
Apr-77	1297.4	
May-77	1294.3	
Jun-77	1288.1	
Jul-77	1286	
Aug-77	1282.2	
Sep-77	1282	
Oct-77	1281.7	
Nov-77	1280.6	
Jan-78	1290.6	
Feb-78	1293.2	
Mar-78	1297.8	
Apr-78	1361.1	
May-78	1436.2	1438
Jun-78	1449.2	1443.1
Jul-78	1429.4	1434.2
Aug-78	1436.6	1437
Sep-78		1443
Oct-78	1420.5	1408
Dec-78	1408.1	1397
Jan-79	1401.6	1385
Feb-79	1396.6	1391
Mar-79	1393.3	1385
Apr-79	1387.3	1381
May-79	1383.5	1376
Jun-79	1380.4	1374
Aug-79	1388.1	1383

**Location: Upper Claremont Heights**  
**Ground Surface Elevation: 1482.0 ft above MSL**

STATION	4508 B	4508 A
	WS Elev.	WS Elev.
Sep-79		1382
Oct-79	1384.2	1380
Nov-79	1381.9	1380
Dec-79	1379.1	1373.5
Jan-80	1376.8	
Feb-80		1373.5
Mar-80	1386.2	1385
Apr-80	1430.3	1430
May-80	1446.3	
Jul-80	1445.5	
Aug-80	1430.7	
Sep-80	1422.3	1408
Oct-80	1408.9	1402
Dec-80	1394.2	1387
Jan-81	1389.3	1382.5
Feb-81	1385.4	
Mar-81	1383.8	1380
Apr-81	1376.6	1368.5
May-81		1368.5
Sep-81		1344
Oct-81		1344
Nov-81		1342
Dec-81		1340
Jan-82		1339.5
Feb-82		1339.5
Mar-82		1340
Apr-82		1340
May-82		1355
Sep-82		1376
Oct-82		1374.5
Nov-82		1373
Dec-82		1374.5
Jan-83		1370
Feb-83		1373
Mar-83		1403
Apr-83		1441.5
May-83		1450
Jun-83		1452
Apr-84		1391
May-84		1383.5
Jul-84		1376
Aug-84		1370
Sep-84		1364
Oct-84		1362
Nov-84		1360.4

**WATER CONSERVATION – SUMMARY – GROUND WATER**
**GROUND WATER FLUCTUATION:**

**Location: Upper Claremont Heights**  
**Ground Surface Elevation: 1482.0 ft above MSL**

STATION	4508 B	4508 A
	WS Elev.	WS Elev.
Dec-84		1359
Jan-85		1358.4
Feb-85		1357
Mar-85		1356
Apr-85		1350
May-85		1346
Jun-85		1343.5
Jul-85		1318
Aug-85		1332.4
Sep-85		1308
Oct-85		1326
Nov-85		1326
Jan-86		1324.4
Feb-86		1323
Mar-86		1328
Apr-86		1337
May-86		1324
Jun-86		1330
Jul-86		1332
Sep-86		1348
Oct-86		1349
Nov-86		1349.4
Dec-86		1346
Jan-87		1345
Feb-87		1341
Apr-87		1337
Oct-87		1283
Nov-87		1266
Dec-87		1274
Jan-88		1315
Feb-88		1317
Mar-88		1350
Apr-88		1297
May-88		1296
Jun-88		1288
Jul-88		1276
Aug-88		1264
Sep-88		1265
Oct-88		1298
Sep-89		1279
Oct-89		1282
Nov-89		1280
Jan-90		1280.5
Feb-90		1297
Mar-90		1293

**Location: Upper Claremont Heights**  
**Ground Surface Elevation: 1482.0 ft above MSL**

STATION	4508 B	4508 A
	WS Elev.	WS Elev.
Apr-90		1279
Jul-90		1277
Aug-90		1274
Sep-90		1272
Oct-90		1289.5
Jan-91		1289.5
Feb-91		1292
Mar-91		1293
Apr-91		1290.7
Jun-91		1329
Oct-91		1296
Nov-91		1288
Dec-91		1292
Jan-92		1309
Feb-92		1310.5
Mar-92		1311
Apr-92		1310
May-92		1312
Jun-92		1333.5
Jul-92		1337
Aug-92		1349
Sep-92		1351
Oct-92		1351
Nov-92		1340
Dec-92		1348
Feb-93		1410
Mar-93		1411
Apr-93		1418
Sep-93		1383.5
Oct-93		1377.7
Nov-93		1387
Dec-93		1395
Mar-94		1383.2
Apr-94		1378
May-94		1378
Jul-94		1311
Aug-94		1304
Sep-94		1301
Oct-94		1322
Oct-95		1344.1
Apr-96		1339
Oct-96		1337
Apr-97		1325
Oct-97		1339
Apr-98		1360

**WATER CONSERVATION – SUMMARY – GROUND WATER**

**GROUND WATER FLUCTUATION:**

**Location: Upper Claremont Heights**  
**Ground Surface Elevation: 1482.0 ft above MSL**

STATION	4508 B	4508 A
	WS Elev.	WS Elev.
Oct-98		1396.5
Apr-99		1351

**Location: Upper Claremont Heights**  
**Ground Surface Elevation: 1482.0 ft above MSL**

STATION	4508 B	4508 A
	WS Elev.	WS Elev.

**WATER CONSERVATION – SUMMARY – GROUND WATER****GROUND WATER FLUCTUATION:**

**Location: Santa Clarita Valley,  
Near Castaic Junction  
Ground Surface Elevation: 1131.0 ft above MSL**

STATION	7048 A	7048 C	7057 P
	WS Elev.	WS Elev.	WS Elev.
Jan-64	1044.5		
Feb-64	1046.5		
Mar-64	1045.5		
Apr-64	1047		
May-64	1044.8		
Jun-64	1037.2		
Jul-64	1034.5		
Aug-64	1032.2		
Sep-64	1032.2		
Oct-64	1032.2		
Nov-64	1036.2		
Jan-65	1042.6		
Mar-65	1040.4		
Apr-65	1042.9		
May-65	1039.1		
Jul-65	1033.9		
Aug-65	1031.5		
Sep-65	1028.7		
Oct-65	1032.5		
Nov-65	1035.2		
Dec-65	1037.1		
Jan-66	1048.1		
Mar-66	1052.4		
Apr-66	1049.3		
May-66	1044.5		
Jun-66	1043.3		
Nov-66	1037		
Dec-66	1048.6		
Mar-67	1055		
Apr-67	1058.8		
May-67	1054.7		
Jun-67	1052		
Aug-67	1047.9		
Sep-67	1046.4		
Oct-67	1049.2		
Nov-67	1045.7		
Dec-67	1055.2		
Jan-68	1059		
Feb-68	1062.5		
Mar-68	1063.4		
Apr-68	1060.4		
May-68	1056.3		
Jul-68	1052.5		
Aug-68	1051.9		

**Location: Santa Clarita Valley,  
Near Castaic Junction  
Ground Surface Elevation: 1131.0 ft above MSL**

STATION	7048 A	7048 C	7057 P
	WS Elev.	WS Elev.	WS Elev.
Sep-68	1055.1		
Oct-68	1056.8		
Nov-68	1058.7		
Dec-68	1059.5		
Jan-69	1060.1		
Feb-69	1062.4		
Mar-69	1085.9		
Apr-69	1086.2		
May-69	1094.2		
Jun-69	1093.1		
Jul-69	1091.9		
Aug-69	1084.8		
Sep-69	1084.5		
Oct-69	1088		
Nov-69	1085.8		
Dec-69	1086.3		
Jan-70	1084.1		
Feb-70	1088.1		
Mar-70	1094.9		
Apr-70	1094		
May-70	1091.2		
Jun-70	1088.8		
Jul-70	1088.2		
Aug-70	1085		
Sep-70	1084.9		
Oct-70	1085.1		
Nov-70	1086.9		
Dec-70	1090.5		
Jan-71	1098.1		
Feb-71	1095.8		
Mar-71	1099.6		
Apr-71	1099.2		
May-71	1097.5		
Jun-71	1096.7		
Jul-71	1095.3		
Aug-71	1091.6		
Sep-71	1092.1		
Oct-71	1092		
Nov-71	1092.6		
Dec-71	1094.1		
Jan-72	1096.5		
Feb-72	1096.7		
Mar-72	1097.3		
Apr-72	1092.4		

**WATER CONSERVATION – SUMMARY – GROUND WATER****GROUND WATER FLUCTUATION:**

**Location: Santa Clarita Valley,  
Near Castaic Junction  
Ground Surface Elevation: 1131.0 ft above MSL**

STATION	7048 A	7048 C	7057 P
	WS Elev.	WS Elev.	WS Elev.
May-72	1092.6		
Jun-72	1088.9		
Jul-72	1087.4		
Sep-72	1086.9		
Oct-72	1087.9		
Nov-72	1089.5		
Dec-72	1092.9		
Jan-73	1093.1		
Feb-73	1095.3		
Mar-73	1097.6		
Apr-73	1098.5		
May-73	1094.9		
Jun-73	1092.7		
Jul-73	1089.3		
Aug-73	1087.4		
Sep-73	1087.9		
Oct-73	1090.3		
Nov-73	1088.5		
Dec-73	1091.3		
Jan-74	1096.5		
Feb-74	1093.8		
Mar-74	1094.1		
Apr-74	1095.8		
May-74	1096.5		
Jun-74	1094.6		
Jul-74	1090.3		
Aug-74	1093		
Sep-74	1093		
Dec-74	1092.4		
Jan-75	1093.3		
Feb-75	1094.6		
Mar-75	1094.5		
Apr-75	1096.5		
May-75	1096.5		
Jun-75	1092.2		
Jul-75	1089.1		
Aug-75	1084.1		
Sep-75	1083.8		
Oct-75	1084.7		
Nov-75	1087.7		
Dec-75	1087.5		
Jan-76	1086.1		
Feb-76	1089.3		
Mar-76	1089.1		

**Location: Santa Clarita Valley,  
Near Castaic Junction  
Ground Surface Elevation: 1131.0 ft above MSL**

STATION	7048 A	7048 C	7057 P
	WS Elev.	WS Elev.	WS Elev.
Apr-76	1089.5		
May-76	1090.5		
Jun-76	1086.8		
Jul-76	1082.5		
Aug-76	1082.5		
Sep-76	1082.8		
Oct-76	1083.9		
Dec-76	1085.4		
Jan-77	1087.1		
Feb-77	1087		
Mar-77	1086		
May-77	1086.1		
Jun-77	1084.4		
Jul-77	1082.5		
Aug-77	1080.5		
Sep-77	1076.9		
Oct-77	1077.7		
Nov-77	1079.6		
Dec-77	1080		
Jan-78	1083.3		
Feb-78	1087.9		
Mar-78	1097.8		
Apr-78	1099.7		
May-78	1097.2		
Jun-78	1094.6		
Jul-78	1091.7		
Aug-78	1089.5		
Sep-78	1087.6		
Oct-78	1089.7		
Dec-78	1087.9		
Jan-79	1093.4		
Feb-79	1097.3		
Mar-79	1100.7		
Apr-79	1098.3		
May-79	1095.9		
Jun-79	1093.5		
Jul-79	1090.3		
Sep-79	1088.9		
Oct-79	1091.5		
Dec-79	1093.7		
Jan-80	1097.3		
Mar-80	1106.8		
May-80	1107		
Jun-80	1104.6		

**WATER CONSERVATION – SUMMARY – GROUND WATER****GROUND WATER FLUCTUATION:**

**Location: Santa Clarita Valley,  
Near Castaic Junction  
Ground Surface Elevation: 1131.0 ft above MSL**

STATION	7048 A	7048 C	7057 P
	WS Elev.	WS Elev.	WS Elev.
Jul-80	1104.1		
Aug-80	1103.2		
Sep-80	1101.3		
Oct-80	1096.6		
Nov-80	1100.1		
Dec-80	1100.2		
Jan-81	1100.9		
Feb-81	1103.3		
Apr-81	1102.5		
May-81	1103.5		
Jun-81	1100.7		
Jul-81	1100.4		
Aug-81	1099.9		
Sep-81	1099		
Oct-81	1099.4		
Nov-81	1100.4		
Dec-81	1102.2		
Jan-82	1103.3		
Feb-82	1100.3		
Mar-82	1105.4		
Apr-82	1106.1		
May-82	1104.5		
Jun-82	1103.8		
Jul-82	1102.8		
Aug-82	1102.5		
Sep-82	1102		
Oct-82	1101.8		
Nov-82	1102.7		
Dec-82	1103.2		
Jan-83	1102		
Feb-83	1105.9		
Mar-83	1107.1		
Apr-83	1108		
May-83	1107.7		
Jun-83	1107.4		
Jul-83	1106.5		
Aug-83	1105.8		
Oct-83	1104.6		
Nov-83	1104.7		
Dec-83	1105.3		
Jan-84	1105.6		
Feb-84	1105.6		
Mar-84	1106.5		
Apr-84	1104.7		

**Location: Santa Clarita Valley,  
Near Castaic Junction  
Ground Surface Elevation: 1131.0 ft above MSL**

STATION	7048 A	7048 C	7057 P
	WS Elev.	WS Elev.	WS Elev.
Jun-84	1102.4		
Jul-84	1102.4		
Aug-84	1103.4		
Sep-84	1101.7		
Dec-84	1105.9		
Jan-85	1104.3		
Apr-85	1104.8		
May-85	1101.1		
Jun-85	1099.9		
Jul-85	1100.3		
Aug-85	1107		
Sep-85	1100.7		
Oct-85	1100.5		
Dec-85	1101.5		
Jan-86	1101	1108	
Feb-86	1103.5	1110.5	
Mar-86	1105.2	1110.7	
Apr-86	1105	1109.2	
May-86	1102.2	1108.7	
Jun-86	1103.5		
Jul-86	1101.9	1106.4	
Aug-86	1098.3	1105.7	
Sep-86	1097.9	1104.4	
Oct-86	1098.9	1105.5	
Nov-86		1104.2	
Dec-86	1098.7	1105.3	
Jan-87	1100.7	1106	
Mar-87	1097	1093.7	
Apr-87	1098.7	1104.7	
May-87	1097	1104.2	
Jun-87	1094.5	1102.5	
Jul-87	1088.5	1098.7	
Aug-87		1097.2	
Sep-87	1094.3	1099.3	
Oct-87	1094	1101.6	
Nov-87	1096.5	1102.2	
Dec-87	1095.5	1102.7	
Jan-88	1099.9	1104.2	
Feb-88	1098.2	1103.4	
Mar-88	1098.5	1104.2	
Jun-88	1098	1102.4	
Jul-88	1094	1101.2	
Aug-88	1095.7	1101.2	
Sep-88	1093.8	1100.7	



**WATER CONSERVATION – SUMMARY – GROUND WATER****GROUND WATER FLUCTUATION:**

**Location: Santa Clarita Valley,  
Near Castaic Junction  
Ground Surface Elevation: 1131.0 ft above MSL**

STATION	7048 A	7048 C	7057 P
	WS Elev.	WS Elev.	WS Elev.
Oct-88	1096.5	1100.2	
Jan-89	1092.8	1102.7	
Mar-89	1097.2	1101.8	
Apr-89	1093.5	1100.2	
May-89	1095.7	1100.3	
Jun-89	1095	1099.3	
Jul-89	1093.6	1098.2	
Aug-89	1089.6	1098.2	
Sep-89	1091.7	1097.4	
Oct-89	1091.8	1095.7	1100.4
Nov-89	1089	1097	
Dec-89	1089.9	1096.3	
Jan-90	1091		
Mar-90	1094.3	1097.8	1104.5
Apr-90		1097.3	
Jun-90		1096.1	
Jul-90		1085.2	
Sep-90		1091.2	
Oct-90			1092
Nov-90		1090.7	
Dec-90		1091.4	
Jan-91		1092.2	
Feb-91		1092.2	
Apr-91		1095.7	
May-91		1093	
Jun-91		1087.3	
Jul-91		1085.2	
Aug-91		1082.7	
Sep-91		1080	
Oct-93			1101
Oct-94			1095.6
May-95			1109.8
Oct-95			1099
Nov-96			1099.8
May-97			1095.5
Oct-97			1092.6
Dec-98			1104.4
May-99			1095.1
Nov-99			1095

**Location: Santa Clarita Valley,  
Near Castaic Junction  
Ground Surface Elevation: 1131.0 ft above MSL**

STATION	7048 A	7048 C	7057 P
	WS Elev.	WS Elev.	WS Elev.

## WATER CONSERVATION – SUMMARY – GROUND WATER

**GROUND WATER FLUCTUATION:**

**Location: Little Rock, South of Palmdale**  
**Ground Surface Elevation: 2777.0 ft above MSL**

STATION	8825
	WS Elev.
Jan-56	2647.8
Feb-56	2646.3
Mar-56	2647.9
Apr-56	2648
May-56	2653.4
Jun-56	2645.9
Jul-56	2629.9
Aug-56	2644.2
Sep-56	2649.6
Oct-56	2652
Nov-56	2653.7
Dec-56	2655.2
Jan-57	2656.6
Feb-57	2657.5
Mar-57	2658.6
Apr-57	2657.7
May-57	2656.7
Jun-57	2655.8
Jul-57	2649.8
Aug-57	2651.3
Sep-57	2651
Oct-57	2654.4
Nov-57	2656
Dec-57	2657.8
Jan-58	2658.9
Feb-58	2660
Mar-58	2660.5
Apr-58	2660.5
May-58	2660.8
Jun-58	2661.3
Jul-58	2659.6
Aug-58	2657.7
Sep-58	2657.6
Oct-58	2666.1
Nov-58	2659.9
Dec-58	2663.2
Jan-59	2664.4
Feb-59	2664.7
Mar-59	2665.4
Apr-59	2662
May-59	2658.7
Jun-59	2662.5
Jul-59	2657.4
Aug-59	2656.4
Sep-59	2658.7

**Location: Little Rock, South of Palmdale**  
**Ground Surface Elevation: 2777.0 ft above MSL**

STATION	8825
	WS Elev.
Oct-59	2661.7
Nov-59	2660.6
Dec-59	2662.1
Jan-60	2663.2
Feb-60	2664.3
Mar-60	2664.4
Apr-60	2659.9
May-60	2660.4
Jun-60	2658.5
Jul-60	2654.3
Aug-60	2652.7
Sep-60	2654.1
Oct-60	2650.6
Nov-60	2656
Dec-60	2657.1
Jan-61	2658.4
Feb-61	2658.2
Mar-61	2654.3
Apr-61	2655.8
May-61	2653
Jun-61	2651.6
Jul-61	2649.1
Aug-61	2646.6
Sep-61	2650.2
Oct-61	2648.1
Nov-61	2650.9
Dec-61	2649.6
Jan-62	2654
Feb-62	2654.4
Mar-62	2655.2
Apr-62	2652.6
May-62	2653.6
Jun-62	2653.5
Jul-62	2652.2
Aug-62	2650.5
Sep-62	2651.5
Oct-62	2651.9
Nov-62	2653.5
Jan-63	2654.8
Feb-63	2655.3
Mar-63	2650.1
Apr-63	2654.6
May-63	2649.9
Jun-63	2648.3
Jul-63	2647.2

**WATER CONSERVATION – SUMMARY – GROUND WATER**
**GROUND WATER FLUCTUATION:**

**Location: Little Rock, South of Palmdale**  
**Ground Surface Elevation: 2777.0 ft above MSL**

STATION	8825
	WS Elev.
Aug-63	2645
Sep-63	2648.7
Oct-63	2650.3
Nov-63	2652.1
Dec-63	2653.2
Jan-64	2653.7
Feb-64	2653.3
Mar-64	2650.3
Apr-64	2653.5
May-64	2653
Jun-64	2653.5
Jul-64	2651.5
Aug-64	2649.3
Sep-64	2648.2
Oct-64	2646.5
Dec-64	2652
Jan-65	2652.9
Feb-65	2653.4
Mar-65	2652.4
Apr-65	2650.1
May-65	2652.1
Jun-65	2649.8
Jul-65	2649.7
Aug-65	2648.8
Sep-65	2650.9
Oct-65	2650.8
Nov-65	2651.8
Dec-65	2653
Jan-66	2653.7
Feb-66	2654.6
Mar-66	2654.8
Apr-66	2655.3
May-66	2656.7
Jun-66	2655.2
Jul-66	2654.5
Aug-66	2652
Sep-66	2650.8
Oct-66	2653.9
Nov-66	2656.7
Dec-66	2657.5
Jan-67	2657.8
Feb-67	2657.2
Mar-67	2658.2
Apr-67	2659.3
May-67	2659.3

**Location: Little Rock, South of Palmdale**  
**Ground Surface Elevation: 2777.0 ft above MSL**

STATION	8825
	WS Elev.
Jun-67	2658.6
Jul-67	2657.1
Aug-67	2656.3
Sep-67	2659
Oct-67	2659.5
Nov-67	2661
Jan-68	2662.1
Feb-68	2662.6
Mar-68	2662.7
Apr-68	2662.7
May-68	2662.4
Jun-68	2661.8
Jul-68	2660.2
Aug-68	2657.2
Sep-68	2658.9
Oct-68	2653.5
Nov-68	2658.1
Dec-68	2659.6
Feb-69	2660.9
Mar-69	2661
Apr-69	2660
May-69	2659.8
Jun-69	2658.6
Jul-69	2660
Aug-69	2659.6
Sep-69	2660.2
Oct-69	2660
Nov-69	2663.6
Dec-69	2664.8
Jan-70	2665.1
Feb-70	2665.2
Mar-70	2665.4
Apr-70	2665.9
May-70	2660.2
Jun-70	2657.8
Jul-70	2662
Aug-70	2660.2
Sep-70	2660.1
Oct-70	2660.3
Nov-70	2663
Dec-70	2664.1
Jan-71	2662.2
Feb-71	2664.1
Mar-71	2663.7
Apr-71	2660.4

## WATER CONSERVATION – SUMMARY – GROUND WATER

**GROUND WATER FLUCTUATION:**

**Location: Little Rock, South of Palmdale**  
**Ground Surface Elevation: 2777.0 ft above MSL**

STATION	8825
	WS Elev.
May-71	2660.2
Jun-71	2660.1
Jul-71	2659.9
Aug-71	2657.5
Sep-71	2658.6
Oct-71	2660
Nov-71	2661.1
Dec-71	2660.8
Jan-72	2661.8
Feb-72	2661.2
Mar-72	2661.6
Apr-72	2660.7
May-72	2659.3
Jun-72	2659.6
Jul-72	2657.3
Aug-72	2657.3
Sep-72	2657.5
Oct-72	2657
Nov-72	2658.3
Dec-72	2659.9
Jan-73	2657.5
Feb-73	2658.7
Mar-73	2659.9
Apr-73	2658.5
May-73	2656.4
Jun-73	2655.8
Jul-73	2654
Aug-73	2653.4
Sep-73	2653.9
Oct-73	2655.1
Nov-73	2656.7
Dec-73	2657.2
Feb-74	2658.2
Mar-74	2657.5
Apr-74	2657
May-74	2654.9
Jun-74	2652.9
Jul-74	2650.7
Aug-74	2651.6
Sep-74	2654.3
Oct-74	2656.5
Nov-74	2657.2
Dec-74	2657.1
Jan-75	2658.6
Feb-75	2659.1

**Location: Little Rock, South of Palmdale**  
**Ground Surface Elevation: 2777.0 ft above MSL**

STATION	8825
	WS Elev.
Apr-75	2659.3
May-75	2657.2
Jun-75	2655.8
Jul-75	2655.6
Sep-75	2655.3
Oct-75	2655.2
Nov-75	2658.1
Dec-75	2657.2
Jan-76	2656.9
Feb-76	2658.3
Mar-76	2658.5
Apr-76	2657.7
May-76	2657.1
Jun-76	2655.7
Jul-76	2655.5
Aug-76	2654.1
Sep-76	2655.7
Oct-76	2657.3
Nov-76	2657.2
Dec-76	2658.9
Jan-77	2659.4
Feb-77	2659.5
Mar-77	2659.3
Apr-77	2659
May-77	2659
Jun-77	2657.4
Jul-77	2659.3
Aug-77	2657.3
Sep-77	2656.9
Oct-77	2657.6
Nov-77	2658.2
Dec-77	2659.3
Jan-78	2659.3
Feb-78	2660
Mar-78	2660.1
Apr-78	2660.3
May-78	2658.3
Jun-78	2658.3
Jul-78	2656.9
Aug-78	2656.2
Sep-78	2658.8
Oct-78	2659.3
Jan-79	2661.8
Mar-79	2663.5
Apr-79	2664.4

## WATER CONSERVATION – SUMMARY – GROUND WATER

**GROUND WATER FLUCTUATION:**

**Location: Little Rock, South of Palmdale**  
**Ground Surface Elevation: 2777.0 ft above MSL**

STATION	8825
	WS Elev.
Jun-79	2660
Sep-79	2658.8
Jan-80	2660.3
May-80	2667.4
Jun-80	2667.8
Jul-80	2668.4
Aug-80	2668.6
Sep-80	2670.4
Oct-80	2671.2
Nov-80	2671.6
Dec-80	2672.2
Jan-81	2672.6
Feb-81	2672.7
Apr-81	2672.6
May-81	2671.4
Jun-81	2671.2
Jul-81	2670.2
Aug-81	2667.4
Sep-81	2666.4
Oct-81	2669.3
Nov-81	2658.5
Dec-81	2670
Jan-82	2670.1
Feb-82	2669.9
Mar-82	2670.1
Apr-82	2669.1
May-82	2668.8
Jun-82	2668.2
Jul-82	2668.5
Aug-82	2668.2
Sep-82	2668.8
Oct-82	2668.3
Nov-82	2669.2
Dec-82	2669.3
Jan-83	2669.6
Feb-83	2669.6
Apr-83	2670
May-83	2669.7
Jun-83	2670
Jul-83	2670.2
Aug-83	2671.6
Sep-83	2672
Oct-83	2673.4
Nov-83	2673.8
Dec-83	2674.4

**Location: Little Rock, South of Palmdale**  
**Ground Surface Elevation: 2777.0 ft above MSL**

STATION	8825
	WS Elev.
Jan-84	2674.7
Feb-84	2675.2
Mar-84	2675.2
Apr-84	2675
May-84	2674.4
Jun-84	2666.3
Jul-84	2665.8
Aug-84	2666.4
Sep-84	2670.7
Oct-84	2671.5
Nov-84	2672.7
Dec-84	2673.1
Jan-85	2670.9
Feb-85	2671.5
Jun-85	2664.1
Jul-85	2666.9
Aug-85	2666.1
Sep-85	2669.2
Oct-85	2669.5
Nov-85	2669.4
Dec-85	2669.5
Jan-86	2668.8
Feb-86	2669.4
Mar-86	2669.8
Apr-86	2666.3
May-86	2669.3
Jun-86	2668.9
Jul-86	2665.1
Aug-86	2663
Sep-86	2668
Oct-86	2658.9
Mar-87	2667.5
Apr-87	2659.1
Sep-87	2667
Oct-87	2666.8
Nov-87	2662.8
Dec-87	2670.3
Jan-88	2667.5
Feb-88	2667
Mar-88	2665.9
May-88	2665.3
Jun-88	2665.3
Aug-88	2662.9
Sep-88	2664
Oct-88	2661.3

## WATER CONSERVATION – SUMMARY – GROUND WATER

**GROUND WATER FLUCTUATION:**

**Location: Little Rock, South of Palmdale**  
**Ground Surface Elevation: 2777.0 ft above MSL**

STATION	8825
	WS Elev.
Jan-89	2661.6
Feb-89	2650.3
Mar-89	2665.8
Apr-89	2666.3
May-89	2665.5
Jun-89	2665.3
Aug-89	2663.3
Sep-89	2665.3
Oct-89	2661.3
Dec-89	2665.2
Jan-90	2661.2
Mar-90	2665.8
Apr-90	2665
May-90	2665
Jun-90	2665.6
Jul-90	2660.5
Oct-90	2665
Dec-90	2663
Mar-91	2663
Apr-91	2663
May-91	2665
Jun-91	2663
Jul-91	2661
Aug-91	2662
Sep-91	2663
Oct-91	2663
Nov-91	2661
Dec-91	2661
Jan-92	2661
Feb-92	2662
Mar-92	2662
Apr-92	2660
May-92	2660
Jun-92	2659
Jul-92	2661
Aug-92	2661
Sep-92	2661
Oct-92	2663
Nov-92	2663
Dec-92	2663
Feb-93	2663
Mar-93	2665
May-93	2665
Jun-93	2674
Jul-93	2667

**Location: Little Rock, South of Palmdale**  
**Ground Surface Elevation: 2777.0 ft above MSL**

STATION	8825
	WS Elev.
Aug-93	2667
Sep-93	2670
Oct-93	2671
Nov-93	2671
Dec-93	2669
Jan-94	2669
Mar-94	2673
May-94	2670
Jul-94	2668
Aug-94	2671
Sep-94	2673
Jan-95	2667
Feb-95	2667
Mar-95	2670
Apr-95	2670
Jun-95	2670
Jul-95	2669
Aug-95	2667
Oct-95	2666
Dec-95	2671
Jan-96	2665
Feb-96	2666
Mar-96	2667
Apr-96	2667
Apr-97	2662
Oct-97	2661
Dec-98	2663
Feb-99	2665
Nov-99	2663

**WATER CONSERVATION – SUMMARY – GROUND WATER**

**GROUND WATER FLUCTUATION:**

**Location: Antelope Valley, South of Lancaster  
Ground Surface Elevation: 2512 ft above MSL**

STATION	9962 C	9962 B	9962 D	9974
	WS Elev.	WS Elev.	WS Elev.	WS Elev.
Apr-61	2236.8			
May-61	2237.4			
Jun-61	2235.8			
Jul-61	2232			
Aug-61	2233.3			
Sep-61	2231.6			
Oct-61	2231.7			
Nov-61	2233.4			
Dec-61	2233.5			
Jan-62	2237.1			
Feb-62	2237			
Mar-62	2237.8			
Apr-62	2235.9			
May-62	2233.2			
Jun-62	2231.1			
Jul-62	2229.4			
Aug-62	2227.4			
Sep-62	2226			
Oct-62	2226.5			
Nov-62	2229.7			
Jan-63	2231			
Feb-63	2230.4			
Mar-63	2229.8			
Apr-63	2230.1			
May-63	2227.3			
Jun-63	2225.9			
Jul-63	2223.9			
Aug-63	2221.7			
Sep-63	2221.2			
Oct-63	2222.5			
Nov-63	2224.8			
Dec-63	2225.8			
Jan-64	2225.6			
Feb-64	2227			
Mar-64	2227.4			
Apr-64	2226.4			
May-64	2224.3			
Jun-64	2221.5			
Jul-64	2217.6			
Aug-64	2216.1			
Sep-64	2216.2			
Oct-64	2216.3			
Nov-64	2218.9			
Jan-65	2221.2			
Feb-65	2220.1			

**Location: Antelope Valley, South of Lancaster  
Ground Surface Elevation: 2512 ft above MSL**

STATION	9962 C	9962 B	9962 D	9974
	WS Elev.	WS Elev.	WS Elev.	WS Elev.
Mar-65	2219.5			
Apr-65	2220.6			
May-65	2218			
Jun-65	2215.4			
Jul-65	2211.6			
Aug-65	2210			
Sep-65	2210.7			
Oct-65	2210			
Nov-65	2212.2			
Dec-65	2215.1			
Jan-66	2215.8			
Feb-66	2217			
Mar-66	2214.7			
Apr-66	2213.3			
May-66	2210.9			
Jun-66	2209.2			
Jul-66	2206.9			
Aug-66	2205.6			
Oct-66	2207.6			
Dec-66	2211.1			
May-67	2198.4			
Aug-67	2208.4			
Oct-67	2203.4			
Nov-67	2204.3			
Dec-67	2206.4			
Jan-68	2207.5			
Feb-68	2207.4			
Mar-68	2206.8			
Apr-68	2205.2			
May-68	2203.7			
Jun-68	2202.2			
Jul-68	2200.5			
Aug-68	2199.7			
Sep-68	2199.6			
Oct-68	2200.3			
Nov-68	2199.4			
Dec-68	2194.6			
Feb-69	2197.7			
Mar-69	2201.6			
Apr-69	2203.2			
May-69	2201.2			
Jun-69	2200.3			
Jul-69	2198.9			
Aug-69	2197			
Sep-69	2198.5			

**WATER CONSERVATION – SUMMARY – GROUND WATER**

**GROUND WATER FLUCTUATION:**

**Location: Antelope Valley, South of Lancaster  
Ground Surface Elevation: 2512 ft above MSL**

STATION	9962 C	9962 B	9962 D	9974
	WS Elev.	WS Elev.	WS Elev.	WS Elev.
Oct-69	2197.9			
Nov-69	2198.2			
Dec-69	2200.3			
Jan-70	2200.8			
Feb-70	2200.9			
Mar-70	2201.1			
Apr-70	2199.5			
May-70	2199.1			
Jun-70	2197.2			
Jul-70	2195.2			
Aug-70	2195			
Sep-70	2194.2			
Oct-70	2194.5			
Nov-70	2195.3			
Dec-70	2191.7			
Jan-71	2196.6			
Feb-71	2197.7			
Mar-71	2197.1			
Apr-71	2195.6			
May-71	2192.9			
Jun-71	2192.2			
Jul-71	2190.6			
Aug-71	2189.5			
Sep-71	2188.8			
Oct-71	2188.8			
Nov-71	2189.6			
Dec-71	2189.6			
Jan-72	2190.9			
Feb-72	2191			
Mar-72	2190.6			
Apr-72	2189.2			
May-72	2187			
Jun-72	2187.8			
Jul-72	2185.6			
Aug-72	2184.4			
Sep-72	2184.2			
Oct-72	2184.6			
Nov-72	2185.4			
Dec-72	2187.2			
Jan-73	2188.1			
Feb-73	2188.6			
Mar-73	2189.3			
Apr-73		2187		
May-73		2182.4		
Jun-73		2183.9		

**Location: Antelope Valley, South of Lancaster  
Ground Surface Elevation: 2512 ft above MSL**

STATION	9962 C	9962 B	9962 D	9974
	WS Elev.	WS Elev.	WS Elev.	WS Elev.
Jul-73		2182.5		
Aug-73		2180.3		
Sep-73		2178.6		
Oct-73		2178.7		
Nov-73		2180.4		
Dec-73		2181.3		
Jan-74		2182.1		
Feb-74		2183.2		
Mar-74		2182.2		
Apr-74		2181.4		
May-74		2180.5		
Jun-74		2178.3		
Jul-74		2176.2		
Aug-74		2169.3		
Sep-74		2174.6		
Nov-74		2168	2176.9	
Dec-74			2177.1	
Jan-75			2177.6	
Feb-75			2177.7	
Mar-75			2177.6	
Apr-75			2176	2180
May-75			2176.3	2179
Jun-75			2174.9	
Jul-75			2174.4	
Aug-75			2173	2171.5
Sep-75			2172.4	2172.3
Oct-75			2172	
Nov-75			2169.2	
Dec-75			2168.7	2159
Jan-76			2168.7	2173.4
Feb-76			2173	2171
Mar-76				2161
Apr-76			2172	
May-76			2167.3	2170.8
Jun-76			2170.9	2168.5
Jul-76			2169.8	2169.5
Aug-76			2169.4	2166
Sep-76			2168.9	2165.1
Oct-76			2168.9	2167.2
Nov-76			2168.8	2168.5
Dec-76			2169.9	2168.2
Jan-77			2170.2	2170.2
Feb-77			2170	2170.1
Mar-77			2170	2169.5
May-77			2169	2167



**WATER CONSERVATION – SUMMARY – GROUND WATER****GROUND WATER FLUCTUATION:**

**Location: Antelope Valley, South of Lancaster**  
**Ground Surface Elevation: 2512 ft above MSL**

STATION	9962 C	9962 B	9962 D	9974
	WS Elev.	WS Elev.	WS Elev.	WS Elev.
Jun-77			2168.7	2166
Jul-77			2167.7	2164
Aug-77			2163.7	2163.2
Sep-77			2162	2162.5
Oct-77			2161	2162.6
Nov-77				2164.6
Dec-77				2164.3
Jan-78				2164.1
Feb-78				2165
Mar-78				2165.1
Apr-78				2165.1
May-78				2165
Jun-78				2161.8
Jul-78				2161.7
Aug-78				2160.9
Sep-78				2161.9
Oct-78				2161.5
Jan-79				2164.5
Mar-79				2165.1
Apr-79				2164.3
Jun-79				2161.4
Sep-79				2159.6
Mar-80				2162.9
Jun-80				2160.8
Sep-80				2158.7
Oct-80				2158.4
Nov-80				2159.3
Dec-80				2157.1
Jan-81				2156
Feb-81				2154.4
Apr-81				2160.7
May-81				2156.8
Jun-81				2151.2
Jul-81				2149.6
Aug-81				2152.3
Sep-81				2157.1
Oct-81				2158
Nov-81				2158.6
Dec-81				2159
Jan-82				2159.3
Feb-82				2158.3
Mar-82				2158.2
Apr-82				2154.7
May-82				2157.1
Jun-82				2153.7

**Location: Antelope Valley, South of Lancaster**  
**Ground Surface Elevation: 2512 ft above MSL**

STATION	9962 C	9962 B	9962 D	9974
	WS Elev.	WS Elev.	WS Elev.	WS Elev.
Jul-82				2154.1
Aug-82				2146.8
Sep-82				2153
Nov-82				2152.6
Dec-82				2154.7
Jan-83				2153.8
Feb-83				2157
Apr-83				2156
May-83				2153.1
Jul-83				2145.1
Aug-83				2150.8
Sep-83				2150.4
Oct-83				2151.3
Nov-83				2151.5
Jan-84				2152.1
Feb-84				2151.4
Apr-84				2150.2
Jul-84				2147.7
Aug-84				2147.4
Sep-84				2147.6
Oct-84				2147
Nov-84				2147.3
Jan-85				2146.7
Feb-85				2149.1
Jun-85				2146.8
Jul-85				2144.9
Sep-85				2146
Oct-85				2146.2
Nov-85				2147
Jan-86				2146.9
Feb-86				2149
Mar-86				2147.7
Apr-86				2147.8
May-86				2146.7
Jun-86				2144.7
Aug-86				2144.1
Sep-86				2143
Oct-86				2142.4
Feb-87				2146.5
Mar-87				2146.3
Apr-87				2144
Mar-90				2144
Apr-90				2145
May-90				2148
Jun-90				2148

**WATER CONSERVATION – SUMMARY – GROUND WATER****GROUND WATER FLUCTUATION:**

**Location: Antelope Valley, South of Lancaster**  
**Ground Surface Elevation: 2512 ft above MSL**

STATION	9962 C	9962 B	9962 D	9974
	WS Elev.	WS Elev.	WS Elev.	WS Elev.
Jul-90				2148
Aug-90				2147
Oct-90				2149
Dec-90				2145
Apr-91				2149
May-91				2145
Jun-91				2149
Jul-91				2137
Aug-91				2151
Sep-91				2153
Oct-91				2147
Nov-91				2149
Jan-92				2137
Feb-92				2147
Mar-92				2147
Apr-92				2142
Jun-92				2145
Jul-92				2145
Aug-92				2149
Oct-92				2147
Nov-92				2145
Dec-92				2146
Jan-93				2146
Feb-93				2147
Mar-93				2153
May-93				2147
Jun-93				2151
Jul-93				2147
Aug-93				2147
Sep-93				2149
Oct-93				2149
Nov-93				2149
Dec-93				2149
Jan-94				2147
Mar-94				2149
May-94				2147
Jul-94				2147
Aug-94				2149
Sep-94				2146
Feb-95				2145
Mar-95				2149
Apr-95				2149
Jun-95				2148
Jul-95				2151
Oct-97				2253

**Location: Antelope Valley, South of Lancaster**  
**Ground Surface Elevation: 2512 ft above MSL**

STATION	9962 C	9962 B	9962 D	9974
	WS Elev.	WS Elev.	WS Elev.	WS Elev.
Dec-98				2278
Apr-99				2281
Nov-99				2263

**CUSTODIAN:**

Unpublished information may be obtained by contacting:

County of Los Angeles  
Department of Public Works  
Water Resources Division  
P.O. Box 1460  
Alhambra, CA 91802-1460

...or telephone: (626) 458-6120